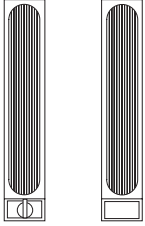


200 Series Vario Downdraft
Ventilation System
Stainless steel with aluminum
control panel
Width 3 3/8" (8.5 cm)



For combination with the fan
unit GB 031.

VL 041-707

Control unit

VL 040-707

Slave unit

120V / 60Hz

VL 041-707

- Ventilation element integrated
in the cooktop. The least conspic-
uous ventilation method around.

- Effective extraction at the
countertop level. The cook
remains free of cooking vapors
as well.

- More head room. Gives more
space over the cooking area.

Downdraft ventilation system
control unit.

Ventilation element for installation
between two cooktops or special
built-in appliances with integrated
control panel.

Shot-blasted stainless steel
housing.

Power control by 2-stage switch.

Ventilation grill can be removed.

Stainless steel grease filter,
dishwasher-safe.

VL 040-707 Air intake used only

in conjunction with VL 041-707.

Optional accessories:

AS 070-000 Connection piece for
extension in the case of installation
next to VK or VF.

VV 200-000 Connecting strip for
combination with other appliances
with integrated control panel.

LS 041-000 Air deflector for
combination of VL 040/041 with
gas appliances to prevent a flame
which has been set to a low level
from being extinguished.

Planning notes:

VL 041/040-707 must be installed
with remote fan blower
GB 031-707.

Extraction through Ø 5" ducting to
remote blower unit GB 031-707.

Combination of only 1x VL 041
and 1x VL 040 possible.

Unit comes with a standard
120V / 60Hz wall plug.

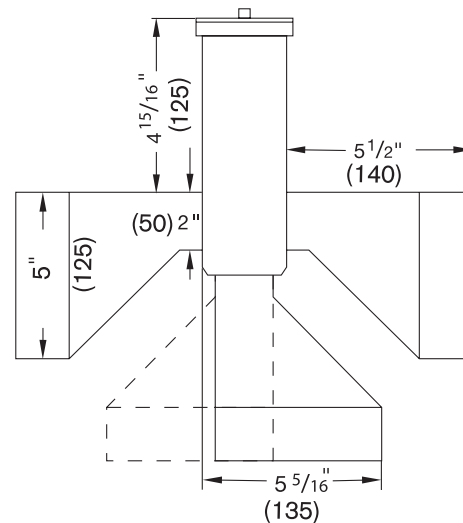
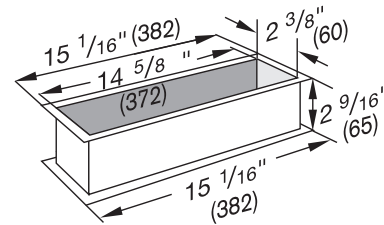
Rating:

Total ratings:

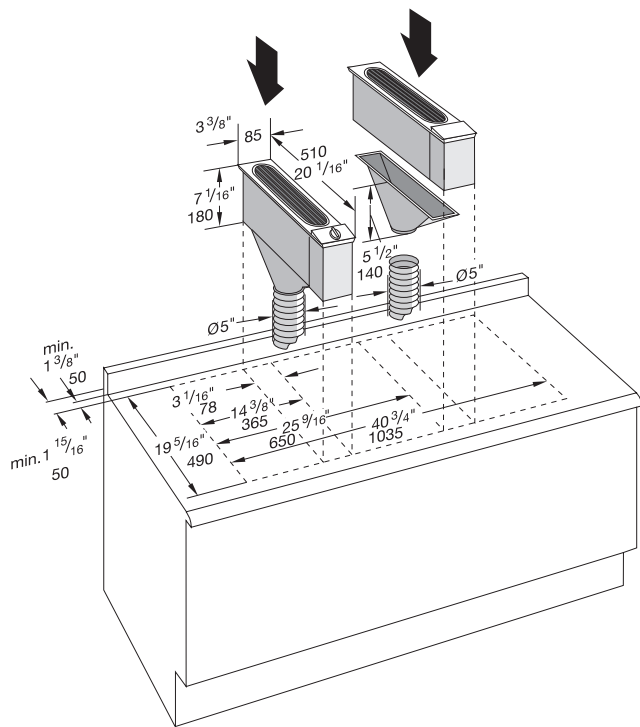
AH 900-761: 250 W
Total Amps: 2

AH 900-791: 260 W
Amps: 2.2

AS 070-000

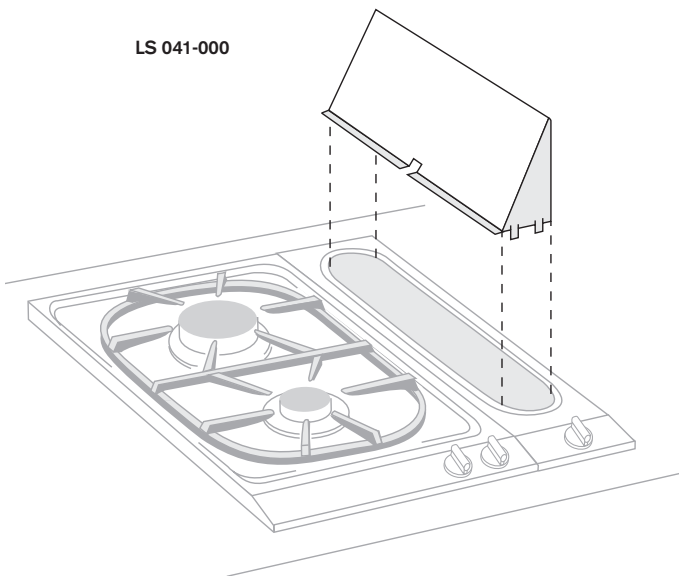


Numbers indicated
inside parenthesis () = mm



Numbers indicated inside parenthesis () = mm

LS 041-000



Place and snap the air baffle on the ventilation grill which has been turned over.