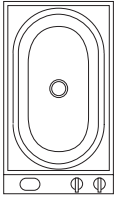


**200 Series Vario Electric**  
**In-counter Steamer**  
 with integrated control panel  
 Width: 12" (29 cm)



**VK 230-710**

Accessories included in the price:  
 Glass lid with knob handle, one perforated and one unperforated cooking insert, one handle cooking inserts, outlet strainer filter.

**VK 230-710**

– **Special appliances from the professional kitchen.** Individually combined with a continuous aluminum control panel.

– **Cooking at a defined temperature.** Fish cannot fall apart at 185 °F.

– **Pressureless cooking.** Cooked food is easily accessible and does not fall apart.

Cooktop and basin made of shot-blasted stainless steel.

Electronic water temperature control from 100°F to 200°F, in 10°F increments.

Steam cooking levels with electronic steam control for pressureless cooking.

Special heating system.

Electronic short-period timer up to 90 min.

Remaining time display.

Automatic switch-off function.

Water drain valve 1/2", motor driven.

Function display. Water volume 1 to 6.4 quarts (1 – 6 liters).

Automatic boiling point detection. Child lock.

**Optional accessories:**

**VD 201-010** Shot-blasted

aluminum appliance cover.

**VV 200-000** Connecting strip for

combination with other Vario appliances with integrated control panel.

**GE 020-010** Unperforated

cooking insert.

**GE 020-020** Perforated

cooking insert.

**FK 023-000** Pasta basket.

**AG 050-000** Drain installation

set with lockable non-return valve, outlet fitting (Ø 9/16") and connecting sleeve (1/2" to 1 1/2").

**AG 060-000** Drain installation

set enables drainage of cooking liquid into a suitable receptacle.

**Planning notes:**

**VK 230 and VF 230 must not be installed directly next to one another.**

In combination with the dow draft VL 040/041/051, this must be planned on the left of the VK.

Keep the floor drain behind the door in the base cabinet accessible.

Appliance is intended for direct drain water connection, but can be fitted without a drain connection by using the accessory AG 060-000.

If a cover is fitted, the glass cover must be removed when closing it.

Order the cover separately. Minimum distance from wooden side panels should be at least 7 7/8".

**Planning notes: (continued)**

A ventilator hood is recommended when an upper cabinet is installed above the steamer.

Appliance clicks into place when inserted in the countertop from above.

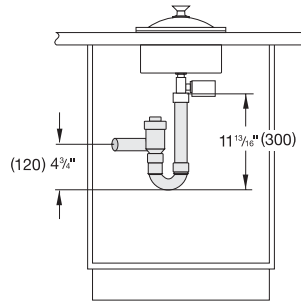
The steamer is equipped with a 67" power cable (hardware required).

**Rating:**

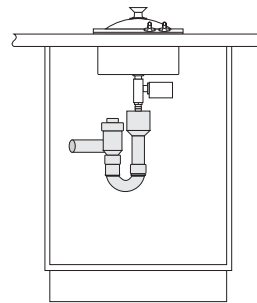
**Total rating: 1.8 kW**

**Total Amps: 15**

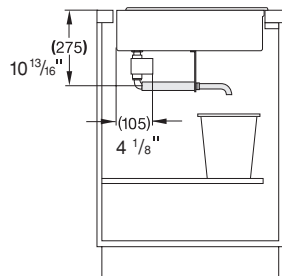
**120V / 60Hz**



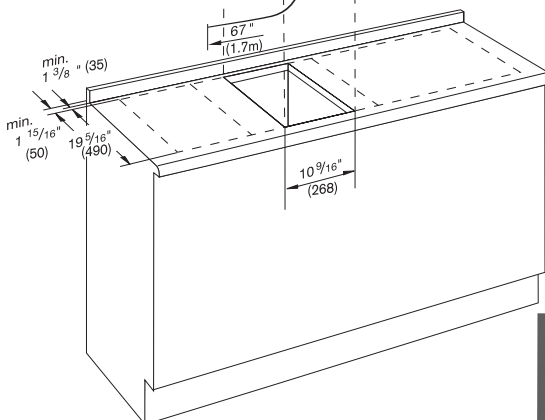
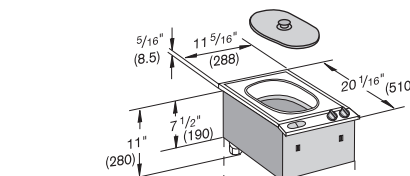
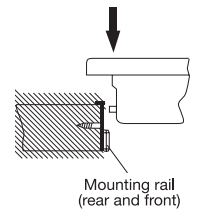
Drain connection available in base cabinet. A check valve must be installed. Recommended: AG 050-000 drain installation set.



Drain connection available in base cabinet. Recommended: install a check valve. Recommended: AG 050-000 drain installation set.



Drainage to a collecting container (e.g. a pot). Only possible with AG 060-000 drain installation set.



**Numbers indicated inside parenthesis ( ) = mm**

