



## 5 SERIES 30"W. INDUCTION RANGE

Viking 5 Series – VIR

### COMMERCIAL-TYPE COOKING POWER

- MagneQuick™ Induction Power Generators utilize magnetic energy for superior power, responsiveness, and efficiency
- Power management induction system provides a boost of superior power on all elements for faster boil times
- Large 9" induction elements each provide up to 3,700 watts of power
  - Four large 9" 3,700–2,300-watt induction elements
- Simmer setting is perfect for gentle melting or keeping cooked food warm
- Heavy-duty BlackChrome™ knobs and square bezels shipped standard
- One of the largest oven cavities in the industry
- **EXCLUSIVE** – patented Vari-Speed Dual Flow™ Convection System has the largest convection fan in the industry; the 8-1/2" fan works bi-directionally for maximum airflow and excellent cooking results
- Concealed 10-pass dual bake element provides precise temperature control
- Large 10-pass broiler with heat reflector
- Rapid Ready™ Preheat provides one of the fastest preheat times, meaning less wait time for the oven to preheat
- Oven has six porcelain-coated rack positions and comes standard with three oven racks
- **EXCLUSIVE** – Gentle Close™ Door allows door to close slowly
- Three strategically located oven lights provide maximum visibility
- High-performance cooking modes include bake, convection bake, TruConvec convection cooking, convection roast, broil, convection broil, convection dehydrate, and convection defrost



### EASY OPERATION AND CLEANUP

- **NEW** surface graphics on strong, wear-resistant glass ceramic surface for excellent cleanability
- Self-cleaning porcelain oven
- Concealed 10-pass dual bake element makes for easy cleanup of the oven cavity




### MODEL NUMBER

- VIR53024B – 30"W. Induction Range; four elements

### ACCESSORIES

- BG8530SS – 8"H. backguard for 30" range
- HS24530SS – high shelf for 30" range
- P24CSTSS – countertop side trim (2 pieces)
- P30CRTSS – countertop rear trim for 30" range
- P30CBF4SS – curb base and custom curb base front for 30" range

### COLOR FINISHES

- Stainless Steel (SS)  

- Volume 1 Color Finishes include Antique Bronze (AN), Blush (BH), Cast Black (CS), Damascus Gray (DG), Eucalyptus (EU), Ivy (IV), Martini (MA), November Sky (NS), Slate Blue (SB), Spiced Cider (SC), Splash (SP)  

- Volume 2 Color Finishes include Daffodil (DA), Golden Hour (GH), Nantucket (NA), Onyx (ON), Pure White (PW), Squall (SQ), Valentine (VA)  


### BRUSHED BRASS ACCENT

- Available on Stainless Steel Finish (standard order) and Volume 1/Volume 2 Color Finishes (special order)
- Brass Accent includes handle endcaps, knob bezels, and logo
- Models ordered in Brass Accent will ship with stainless steel knobs and round knob bezels

### WARRANTY

- 2-year full – complete product
- 90-day full – cosmetic parts such as glass, painted items and decorative items
- 5-year limited – induction element components

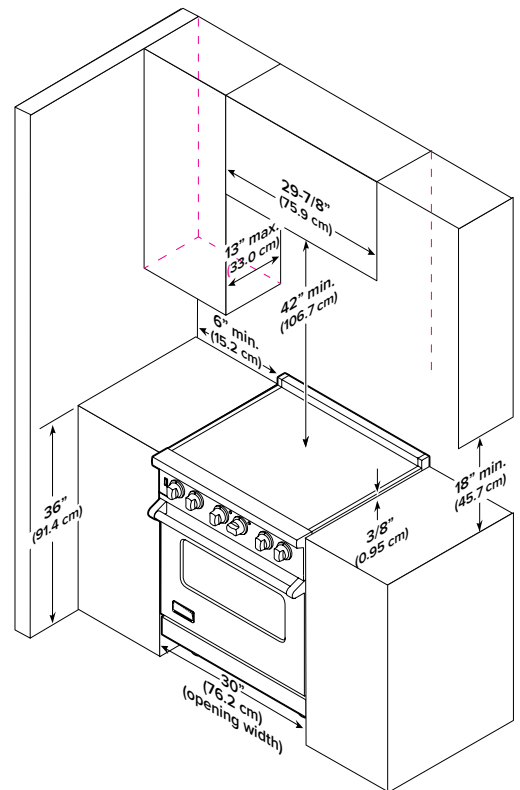
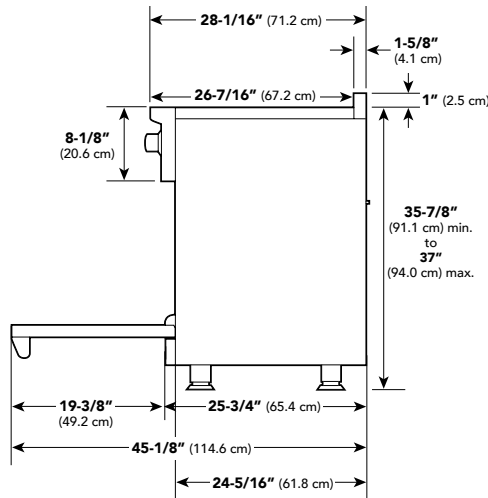
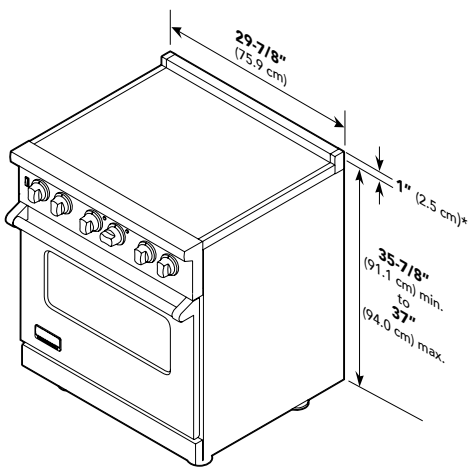


# 5 SERIES 30"W. INDUCTION RANGE

Viking 5 Series – VIR

30"W. INDUCTION RANGE	
<b>DESCRIPTION</b>	<b>VIR5302</b>
<b>Overall Width</b>	29 7/8" (75.9 cm)
<b>Overall Height from Bottom</b>	Base Height To top of glass frame – minimum 35 7/8" (91.1 cm) to maximum 37" (94 cm); legs adjust 1 1/8" (2.9 cm) Additions to Base Height To top of island trim – add 1" (2.5 cm); to top of backguard – add 8" (20.3 cm) To top of high shelf – add 23 1/2" (59.7 cm)
<b>Overall Depth from Rear</b>	To end of side panel – 24 5/16" (61.8 cm) To front of door – 25 3/4" (65.4 cm) To end of door handle – 28 11/16" (72.9 cm)
<b>Electrical Requirements</b>	240-208VAC, 60 Hz electrical connection box on product, connect with locally supplied 3-wire, flexible cord or "pigtail" rated 50 amp 125-250VAC minimum. Cord must be agency approved for use with household electric ranges.
<b>Circuit Breaker</b>	50 amp dedicated circuit
<b>Surface Burner/Element Rating</b>	Left Front: 3,700-watt boost/2,300 watts Left Rear: 3,700-watt boost/2,300 watts Right Front: 3,700-watt boost/2,300 watts Right Rear: 3,700-watt boost/2,300 watts
<b>Oven Interior Dimensions</b>	Overall Width – 25-5/16" (64.6 cm) Height – 16-1/2" (41.9 cm) Depth – 19-1/2" (49.5 cm) Overall Size – 4.7 cu. ft. AHAM Standard* – 4.1 cu. ft. 3 racks, 6 rack positions
<b>Approximate Shipping Weight</b>	426 lb. (191.7 kg)

Please do not prepare installation from brochure data only. See installation instructions for important clearance/installation information.  
 \*\*The AHAM Standard for measuring oven capacity subtracts the door plug and convection baffle dimension from the total oven volume.  
 208V ratings – Time required for some functions may be extended due to less wattage.



VIKING RANGE, LLC 111 FRONT STREET GREENWOOD, MISSISSIPPI 38930 USA

For detailed product information, model numbers, or to request a quote call 1-888-845-4641 or visit [vikingrange.com](http://vikingrange.com)  
 © 2024 Viking Range, LLC All rights reserved. Specifications subject to change without notice.

