

VI263620
Vario induction cooktop 200 series
Black control panel
Width 24" (60 cm)

Can be combined with cooktops of the Vario 200 series to a harmonic unity
Control panel for comfortable and secure operation

Cooking zones

1 induction cooking zone ø 11" (2600 W, with booster 3600 W).
1 induction cooking zone ø 7" (1800 W, with booster 3100 W).
1 induction cooking zone ø 6" (1400 W, with booster 2200 W).

Operation

Control knobs with illuminated ring. Integrated control panel.
Electronic power control in 17 output levels.

Features

Cooking zone marking.
Frying sensor function.
Pot detection.
Booster function for each cooking zone.

Safety

Residual heat indicator.
Operation indicator.
Safety shut-off.

Planning notes

Operates with magnetic (induction) iron pots and pans only. For an optimal heat distribution, the use of flat bottom cookware is recommended.
Appliance can be snapped into the countertop from above.
Appliance weight: approx. 30.8 lbs (14 kg).

Rating

Total rating: 208/220 - 240 V : 10.8 kW.
60 Hz
Plan for a 37" connecting cable without plug (hardwire required).

Product Features

Knob Material
Full metal

Sealed Burners
No

Burners with booster
All

Type of grate
Total BTU load

LP Gas Connection Rating (BTU)
Power of heating element (kW in boost)
Dimension of 1st heating element (in)
Power of 2nd heating element (kW in boost)
3.7

Dimension of 2nd heating element (in)
11"

Power of 3rd heating element (kW in boost)
Dimension of 3rd heating element (in)
Power of 4th heating element (kW in boost)
Dimension of 4th heating element (in)
Power of 5th heating element (kW in boost)
[3.1]

Dimension of 5th heating element (in)
7"

Power of 6th heating element (kW in boost)
Dimension of 6th heating element (in)

Consumption and connection features

UPC code
825225950110

Variant color
Black

Energy source
Electric

Gas type

Alternative gas type

Watts (W)
7400

Current (A)

Volts (V)
208-240

Frequency (Hz)
60

Approval certificates
CSA, FCC

Power Cord Length
37"

Plug type
no plug

Required cutout size (HxWxD) (in)
4 15/16" x 22 1/16" x 19 3/8"

Minimum distance from counter front (in)
2"

Minimum distance from rear wall (in)
2"

Overall appliance dimensions (HxWxD) (in)
5/16"+4 15/16" x 22 13/16" x 20 3/16"

Product packaging dimensions (HxWxD) (in)
4.44 x 27.91 x 42.95

Net weight (lbs)
30

Gross weight (lbs)
32

Total number of cooktop burners
3

2019-10-23
Page 1

Color Variants

VI263620
Black control panel
Width 24" (60 cm)

Optional accessories

GP900001
Stainless steel frying sensor pan.

GP900002
Stainless steel frying sensor pan.

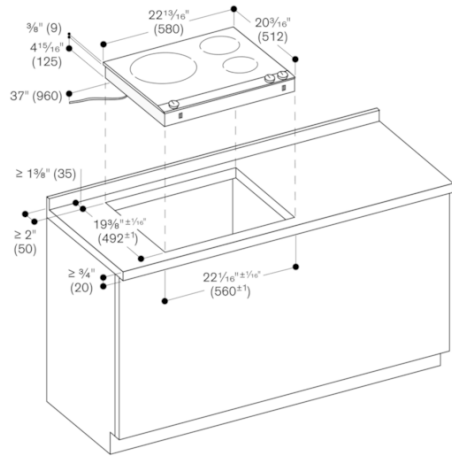
GP900003
Stainless steel frying sensor pan.

GP900004
Stainless steel frying sensor pan.

Installation Accessories

VV200010
Stainless steel connection strip for combination with further Vario cooktops

VV200020
Black connection strip for combination with other Vario appliances of the 200 series



measurements in inches (mm)