



Color Variants

VI230620

Black control panel

Width 12"

Included accessories

1 x glass scraper.

Optional accessories

GP900001

Stainless steel frying sensor pan.

GP900002

Stainless steel frying sensor pan.

GP900003

Stainless steel frying sensor pan.

VD200020

Black appliance cover

Installation Accessories

VV200010

Stainless steel connection strip for combination with further Vario cooktops

VV200020

Black connection strip for combination with other Vario appliances of the 200 series

VI230620

Vario induction cooktop 200 series

Black control panel

Width 12"

Can be combined with cooktops of the Vario 200 series to a harmonic unity
Control panel for comfortable and secure operation

Cooking zones

1 induction cooking zone ø 9" (2200 W, with booster 3700 W).

1 induction cooking zone ø 6" (1400 W, with booster 1800 W).

Operation

Control knobs with illuminated ring.
Integrated control panel.
Electronic power control in 17 output levels.

Features

Cooking zone marking.
Frying sensor function.
Pot detection.
Booster function for both cooking zones.

Safety

Residual heat indicator.
Operation indicator.
Safety shut-off.

Planning notes

Operates with magnetic (induction) iron pots and pans only. For an optimal heat distribution, the use of flat bottom cookware is recommended.
Appliance can be snapped into the countertop from above.
Appliance weight: approx. 15.4 lbs (7 kg).

Rating

Total rating: 208/220 - 240 V : 10.8 kW.
60 Hz
Plan for a 37" connecting cable without plug (hardwire required).

Product Features

Product name / series name

Vario/Domino cooking zone cera

Construction type

CONSTR_TYPE.Built-in

Energy source

Electric

Total number of cooktop burners

2

Required cutout size (HxWxD) (mm)

125 x 268 x 492

Width of the product (mm)

288

Overall appliance dimensions (HxWxD) (mm)

125 x 288 x 512

Product packaging dimensions (HxWxD) (mm)

175 x 400 x 605

Net weight (kg)

6.595

Gross weight (kg)

8.0

Residual heat indicator

Separate

Location of control panel

Cooktop front

Basic surface material

Ceramic

Color of surface

Black, Stainless steel

Color of frame

Stainless steel

Approval certificates

CSA, FCC

Power cord length (cm)

96

Consumption and connection features

Watts (W)

3700

Gas connection rating (W)

Current (A)

Volts (V)

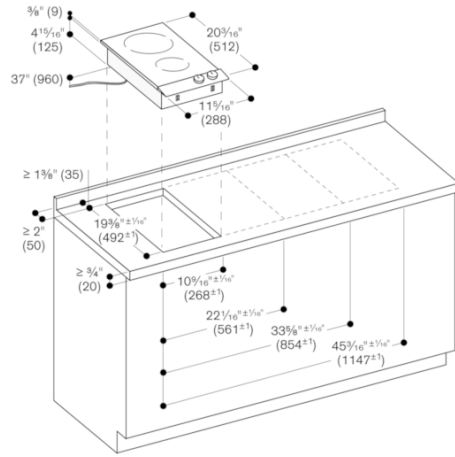
208-240

Frequency (Hz)

60

2019-10-27

Page 1



measurements in inches (mm)