

Installation Guide

Insulated Grill Jacket

5 Series Gas Grills

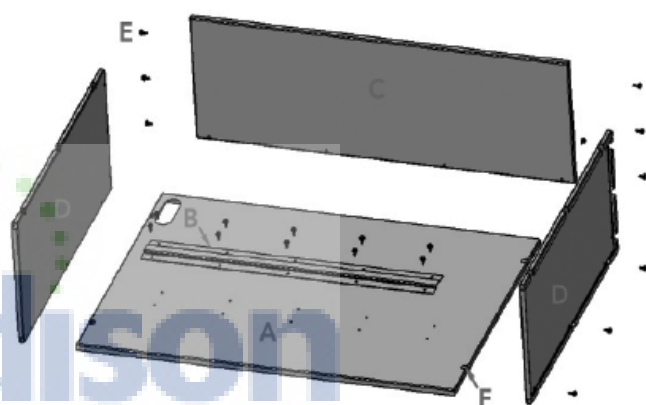
Required when installing grill head in combustible materials

Models

- INJK30 – used with VGBQ53024
- INJK36 – used with VGBQ53624
- INJK42 – used with VGBQ/VGIQ54224
- INJK54 – used with VGBQ/VGIQ55424

Installation

- Each kit includes a lower panel (a), lower panel support (b), rear panel (c), side panels (d), sheet metal fasteners (e), and cabinet fasteners (f)
- Start by attaching (a) to (b) with fasteners (e)
 - INJK30 - uses ten (10)
 - INJK36 - uses eight (8)
 - INJK42 - uses twelve (12)
 - INJK54 - uses sixteen (16)
- Second, attach the rear panel (c) to the lower panel (a) with fastener (e)
- Third, attach each side panel (d) to the lower and rear panels with three fasteners between (a) and (d), and three fasteners between (d) and (c)
- Last, fully insert the assembly into the enclosure and attach the assembly to the cabinet using cabinet fasteners



Basic Specifications

Description	INSULATED GRILL JACKETS			
	INJK30	INJK36	INJK42	INJK54
Cutout Width	29 3/4" (75.6 cm)	35 5/8" (90.5 cm)	41 3/4" (106.0 cm)	53 3/4" (136.5 cm)
Cutout Depth	25" (63.5 cm)			
Cutout Height	10 3/4" (27.3 cm)			
Overall Width	30" (76.2 cm)	35 7/8" (91.1 cm)	42" (106.7 cm)	54" (137.2 cm)
Overall Depth	25" (63.5 cm)			
Approximate Shipping Weight	27 lbs. (12.3 kg)	30 lbs. (13.6 kg)	33 lbs. (15.0 kg)	36 lbs. (16.4 kg)

Viking Range, LLC
 111 Front Street, Greenwood, Mississippi 38930 USA
 (662) 455-1200

For product information, call 1-888-845-4641.



All models with standard equipment are design-certified for residential installation.