



Color Variants

VG425211CA
Stainless steel
Width 15"

Installation Accessories

VA420000
Connection strip for combination with other Vario appliances of the 400 series for flush installation

VA420001
Connection strip for combination with other Vario appliances of the 400 series for flush installation with appliance cover/filler strip

VA420011
Connection strip for combination with other Vario appliances of the 400 series for surface-mount installation with appliance cover/filler strip

VA440010
Stainless steel cover with mounting strip

VA450400
Stainless steel adjustment strip 15"

VG425211CA
Vario gas cooktop 400 series
Stainless steel
Width 15"
Natural gas

Two two-ring burners up to 13,600 BTU
Full electronic power regulation on 12 levels
Full electronic gas valves for precise and reproducible power regulation
Automatic fast ignition, electronic flame monitoring with automatic re-ignition
Simmer function for cooking on a very low output level
Solid stainless steel control knob
Precision crafting of 1/8-inch stainless steel
For surface mount installation with a visible edge or for flush installation
Can be perfectly combined with other Vario 400 series products

Cooking zones

1 two-ring high-output burner (570 - 13,600 BTU), suitable for pots and pans up to a maximum of ø 11"
1 two-ring standard-output burners (570 - 6,800 BTU), suitable for pots and pans up to a maximum of ø 9 7/16".

Operation

Control knobs with illuminated ring, cooking zone and output level markings.
One-handed operation.
Full electronic control in 12 output levels for exact power level regulation plus simmer function
Automatic quick ignition.

Features

Simmer function
Cast pan support with flat, continuous pot surface.
Brass burner rings.

Safety

Electronic flame monitoring with automatic re-ignition.
Residual heat indication.
Safety shut-off.

Planning notes

Depending on the type of installation - surface or flush-mounted, with or without cover - the specific location of the control knob positions may vary. The drawing "Installation of the control knob" must be observed if the panel is more than 1" thick (there must be a recess at the rear).
When using the appliance cover VA 440 or adjustment strip VA 450 additional space for cut-out depth needs to be considered.
In a combination of Vario cooktops with at least one appliance cover, the adjustment strip VA 450 is required. In a combination of several Vario 400 series cooktops a connection strip must be used. Depending on the type of installation - surface-/ or flush-mounted, with or without cover - the respective VA 420 connecting strip must be used.
For flush installation the edge height in the cut-out needs to be at least 1/2" and for surface-mount 3/8". Ensure a continuous cut surface of 90°.
The weight capacity and stability, especially in case of thin countertops, must be supported using suitable substructures. Take the appliance weight and additional loads into account.

Product Features

Product name / series name
Vario/Domino gas hob

Construction type
CONSTR_TYPE.Built-in

Energy source
Gas

Total number of cooktop burners
2

Required cutout size (HxWxD) (mm)
131 x 360 x 492

Width of the product (mm)
380

Overall appliance dimensions (HxWxD) (mm)
131 x 380 x 520

Product packaging dimensions (HxWxD) (mm)
297 x 517 x 602

Net weight (kg)
15.0

Gross weight (kg)
17.0

Residual heat indicator
Separate

Location of control panel
External control

Basic surface material
brushed stainless steel

Color of surface
Stainless steel, Stainless steel

Color of frame
Stainless steel, Stainless steel

Approval certificates
ETL

Power cord length (cm)
140

Consumption and connection features

Watts (W)
15

Gas connection rating (W)
6000

Current (A)
2

Volts (V)
120

Frequency (Hz)
60

2017-10-19
Page 1

Flush installation is possible in countertops made of stone, synthetics or solid wood. Heat resistance and watertight sealing of the edges must be observed. For other materials, please consult with your countertop manufacturer.

The groove must be continuous and even, so that uniform placing of the appliance on the gasket is ensured. Do not use discontinuous lining.

The joint width may vary due to size tolerances of the combinations and of the countertop cut-out.

If installing several Vario products in individual cut-outs allow for a minimum distance of 2" inbetween the cooktops. Plan for an electrical connection (the appliance is not operable without power supply).

Air intake from above.

No intermediate shelf required.

The rear panel must consist of a non-flammable material. Wall trims must be resistant to heat.

A minimum clearance of at least 6" from adjacent heat-sensitive furniture or contact surfaces must be observed or thermal insulation fitted.

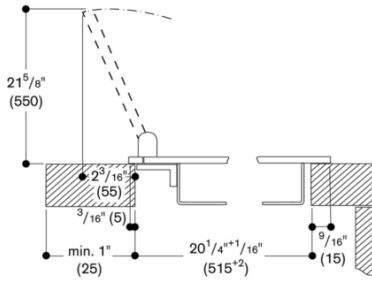
When used with VL 414 downdraft ventilation, the air deflector AA 414 is recommended to ensure maximum performance of the cooktop.

Appliance can be snapped into the countertop from above.

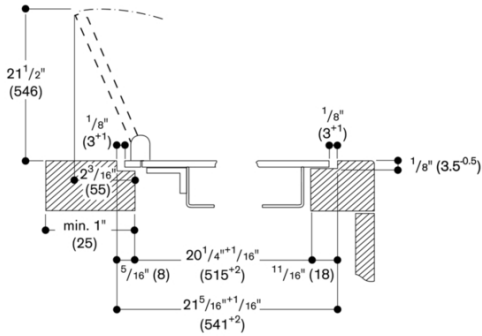
Rating

Total connected load gas 20500 BTU (6.0 kW).
Total Amps: .2 A.
120 V / 60 Hz
Connecting cable 55" with plug.

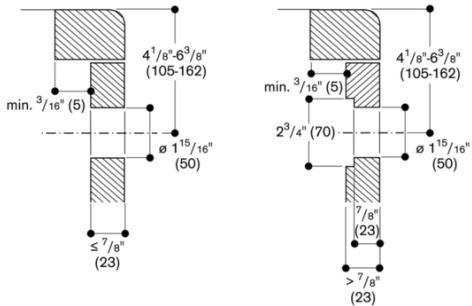
Installation with appliance cover/adjustment strip;
 surface installation



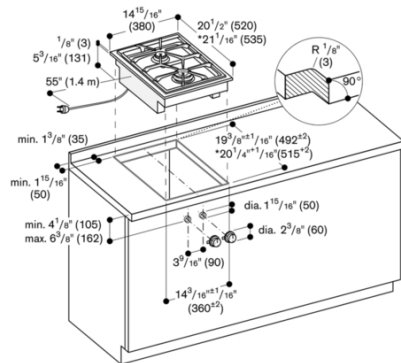
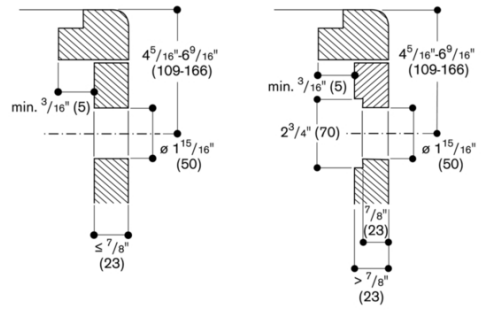
Installation with appliance cover/adjustment strip;
 Flush Installation



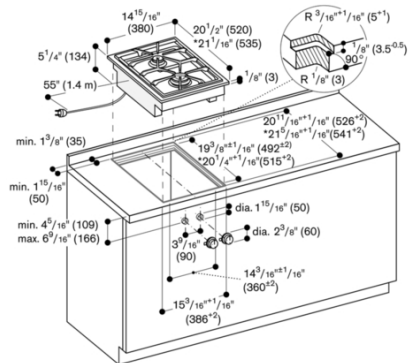
Control knob installation, surface mounting



Control knob installation, flush installation



* with appliance cover or compensating strip
 See installation instructions for other installation possibilities.



* with appliance cover or compensating strip
 See installation instructions for other installation possibilities.