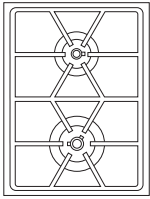


400 Series Vario
Gas cooktop
Width 15" (38 cm)



VG 421-210 CA

Natural gas

Included accessories:
 stainless steel cover.

VG 421-210 CA

– **Special stainless steel appliance for the professional home kitchen.** Made to combine with our Series 400.

– **Two-ring burner up to 13,600 BTU.** The basis for cooking in a pot or a pan.

– **Convenient operation with automatic quick ignition.** Simply move the switch to the required position and release it like on an electric cooktop.

Equipped for natural gas. Jets supplied for conversion to LP gas.

Brushed stainless steel cooktop.

Two gas burners with two rings, suitable for pots and pans up to a maximum Ø 11".

One two-ring high-output burner (500– 13,600 BTU).

One two ring, standard burner (500– 6,800 BTU).

Two brass burner rings.

Quick ignition.

Electronic flame monitoring (ionization principle) with automatic re-ignition.

One piece pan support.

Two control knobs with ring and output marking.

Optional accessories:

VV 400-000 Connecting strip

for combination with other Vario cooktops (not when using a downdraft).

SV 402-090 Shaft extension for up

to 3 9/16" (see adjacent drawing). Need two per unit.

SV 402-205 Shaft extension for up

to 8 1/16" (see adjacent drawing). Need two per unit.

LS 330-000 Air deflector

required for combination with VG 421 to prevent a flame which has been set to a low level from being extinguished.

Planning notes:

The pan support must be removed when closing the cover.

Control knob can be integrated in a base cabinet at drawer level.

Air intake from above. No intermediate shelf required.

The Vario gas cooktop is equipped with a connecting cable and a grounded plug (4.59 ft. long).

The appliance must be set up and connected in accordance with the applicable installation specifications.

Planning notes (continued):

The rear panel must consist of a non-flammable material.

Wall trims must be resistant to heat.

The minimum distance from the side of appliance edge to the wall or furnishing components must be at least 12".

Clamping range: 1 13/16" – 2" cooktop fittings.

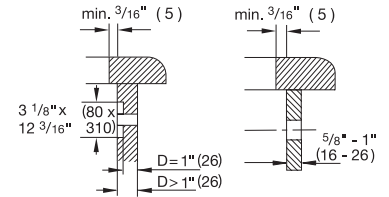
The appliance is not operable without an electrical connection.

Rating:

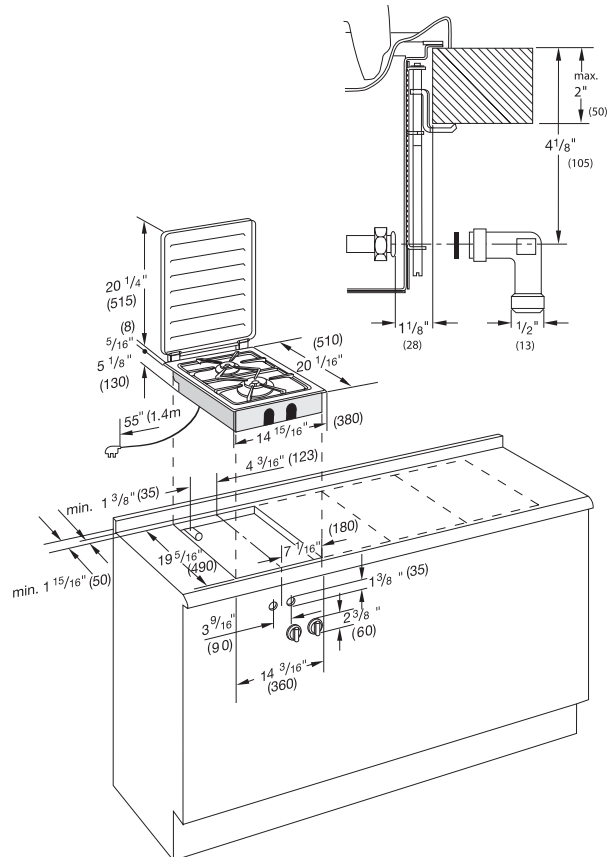
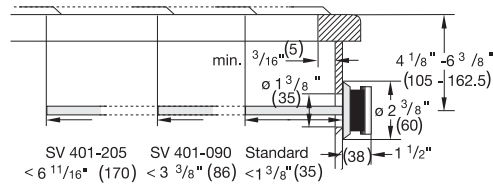
Total rating: 6.0 kW (20,400 BTU)
Total Amps: 1
120V / 60Hz

Front panel thickness 5/16" - 1".

The sketch to the right must be observed if the panel is more than 1" thick. There must be a recess at the rear for proper module installation.



Possible shaft extension prolongation.



Numbers indicated inside parenthesis () = mm