



VG414210CA
Vario gas wok 400 series
Stainless steel
Width 15 "
Equipped for natural gas.
Wok burner with 5.5 KW

Three-ring burner with 18,800 BTU
Electronic flame monitoring
(ionization principle) with automatic
re-ignition.
Solid stainless steel control knob
Precision crafting of 1/8-inch
stainless steel
For surface mount installation with a
visible edge or for flush installation
Can be perfectly combined with other
Vario products of the 400 series

Cooking zones
 1 three-ring wok burner (300 W – 5500 W), suitable for pots up to max. ø 12 5/8".

Operation
 Control knob with ring and output marking.
 One-handed operation.
 All-gas valve with fine control.

Features
 Cast pan support with flat, continuous pot surface.
 Brass burner rings.

Safety
 Electronic flame monitoring with automatic re-ignition.
 Automatic quick ignition.
 Safety lock.

Planning notes
 Depending on the type of installation - surface-/ or flush-mounted, with or without cover - the specific location of the control knob positions may vary. When using the appliance cover VA 440 or adjustment strip VA 450 additional space for cut-out depth needs to be considered. In a combination of Vario cooktops with at least one appliance cover, the adjustment strip VA 450 is required. In a combination of several Vario 400 series cooktops a connection strip must be used. Depending on the type of installation - surface-/ or flush-mounted, with or without cover - the respective VA 420 connecting strip must be used. For flush installation the edge height in the cut-out needs to be at least 1/2" and for surface-mount 3/8". Ensure a continuous cut surface of 90°. The weight capacity and stability, especially in case of thin countertops, must be supported using suitable substructures. Take the appliance weight and additional loads into account. Flush installation is possible in countertops made of stone, synthetics or solid wood. Heat resistance and watertight sealing of the edges must be observed. For other materials, please consult with your countertop manufacturer. The groove must be continuous and even, so that uniform placing of the appliance on the gasket is ensured. Do not use discontinuous lining. The joint width may vary due to size tolerances of the combinations and of the countertop cut-out. If installing several Vario products in individual cut-outs allow for a minimum distance of 2" inbetween the cooktops. Control knobs to be integrated in the base cabinet at drawer level. Panel thickness 5/8" - 1".

Product Features
Product name / series name
 Vario/Domino gas hob
Construction type
 CONSTR_TYPE.Built-in
Energy source
 Gas
Total number of cooktop burners
 1
Type of control
Required cutout size (HxWxD) (mm)
 131 x 360 x 492
Width of the product (mm)
 380
Overall appliance dimensions (HxWxD) (mm)
 131 x 380 x 520
Net weight (kg)
 14.0
Gross weight (kg)
 16.0
Residual heat indicator
 without
Location of control panel
 Hob front
Basic surface material
 brushed stainless steel
Color of surface
 Stainless steel, Stainless steel
Color of frame
 Stainless steel, Stainless steel
Approval certificates
 ETL
Power cord length (cm)
 140

Consumption and connection features
Watts (W)
 15
Gas connection rating (W)
 5500
Current (A)
 2
Volts (V)
 120
Frequency (Hz)
 60

2016-01-13
Page 1

The drawing "Installation of the control knob" must be observed, if the panel is more than 1" thick. There must be a recess at the rear for proper control module installation. Special nozzles can be ordered as spare parts. Plan for an electrical connection (the appliance is not operable without power supply). Air intake from above. No intermediate shelf required. The rear panel must consist of a non-flammable material. Wall trims must be resistant to heat. The minimum distance from the side of appliance edge to the wall or furnishing components must be at least 6". When used with VL 414 downdraft ventilation, the air deflector AA 414 is recommended to ensure maximum performance of the cooktop. Minimum distance between gas cooktop(s) with more than 40,000 BTU and ventilation hood must be 27 9/16". Appliance can be snapped into the countertop from above.

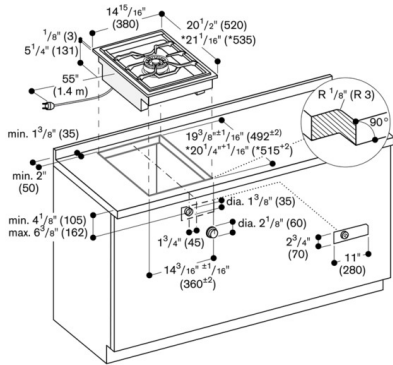
Rating
 Total connected load gas 18800 BTU (5,5 kW).
 Connecting cable 55" with plug.

Color Variants
VG414210CA
Stainless steel
Width 15 "

Optional accessories
WP40001
Wok pan made of multiple-layer material

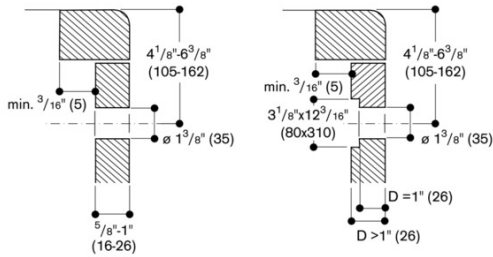
Installation Accessories
SV401090
Shaft extension for up to 5 1/2"
SV401205
Shaft extension for up to 11 13/16"

VG414210CA
 Vario gas wok 400 series
 Stainless steel
 Width 15"
 Equipped for natural gas.
 Wok burner with 5.5 KW
 2016-01-13
 Page 2

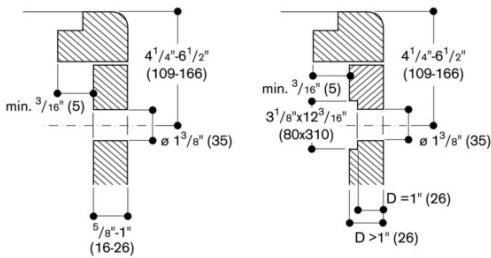


* with appliance cover or adjustment strip.
 See separate planning notes.

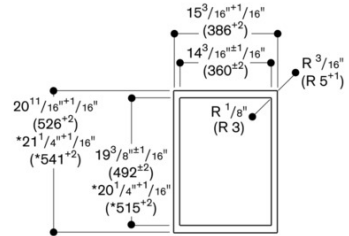
Control knob installation, surface-mounted installation



Control knob installation, flush-mounted installation

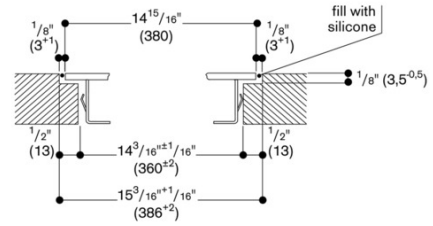


View from above

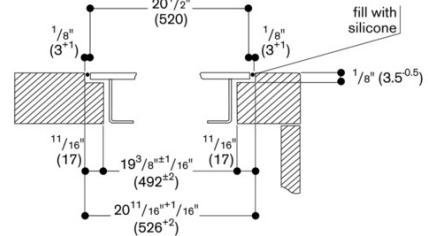


* with appliance cover or adjustment bar
 (observe front and rear asymmetrical assembly,
 see separate notes "assembly with
 appliance cover/adjustment bar").

Longitudinal section

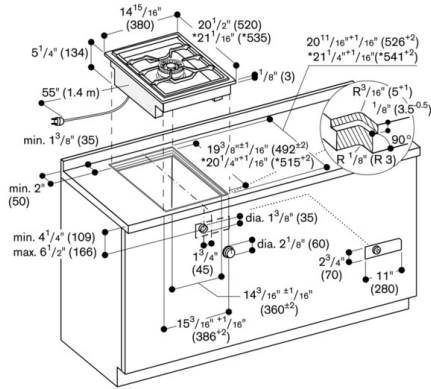


Cross-section



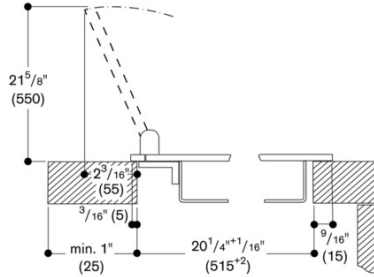
For installation with appliance cover or adjustment bar, observe
 the deeper notch and the slot width front and back.

VG414210CA
Vario gas wok 400 series
Stainless steel
Width 15"
Equipped for natural gas.
Wok burner with 5.5 KW
2016-01-13
Page 3

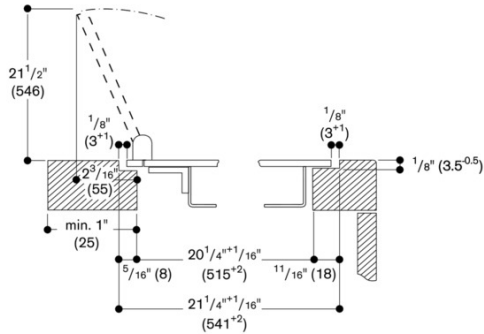


* with appliance cover or alignment strap.
See separate planning notes

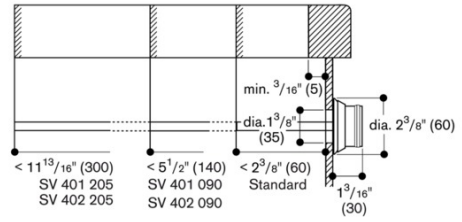
**Installation with appliance cover/adjustment strip;
surface installation**



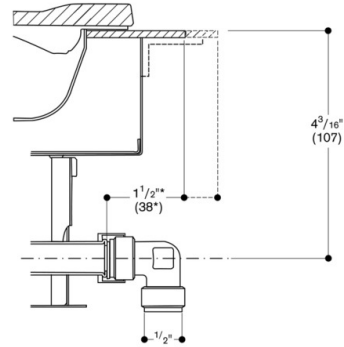
**Installation with appliance cover/adjustment strip;
Flush Installation**



Possible axis extensions



Gas connection



* 2 1/16" (53 mm) with appliance cover or adjustment strip.