

**Gaggenau**

Use and care manual

Notice d'utilisation

Manual de instrucciones

# VG 414 210 CA

Gas wok

Wok gaz

Wok Gas

---

<b>Use and care manual</b>	<b>3</b>
----------------------------	----------

---

---

<b>Notice d'utilisation</b>	<b>19</b>
-----------------------------	-----------

---

---

<b>Manual de instrucciones</b>	<b>36</b>
--------------------------------	-----------

---

---

## Table of Contents

---

<b>Signal Words for Safety and Best Use</b>	<b>4</b>
<b>IMPORTANT SAFETY INSTRUCTIONS</b>	<b>5</b>
Fire Safety	6
Gas Safety	6
Burn Prevention	7
Child Safety	8
Cleaning Safety	8
Cookware Safety	8
Proper Installation and Maintenance	9
<b>Causes of Damage</b>	<b>10</b>
<b>Environmental protection</b>	<b>10</b>
Tips for saving energy	10
<b>Your new appliance</b>	<b>11</b>
Gas cooktop	11
Control knob	11
Special accessories	11
Setting up the burner	12
<b>Operation</b>	<b>12</b>
Turning on	12
Electronic flame monitoring and automatic re-ignition	13
Turning off	13
Safety lock	13
<b>Settings table and tips</b>	<b>14</b>
Tips for cooking and roasting	14
Wok tips	14
<b>Information on cookware</b>	<b>14</b>
Appropriate cooking vessels	14
Information for use	14
<b>Care and cleaning</b>	<b>15</b>
Cleaning the appliance	16
Clean the electrode	16
Burned-on grime	16
Burner discoloration	16
<b>Troubleshooting</b>	<b>17</b>
<b>Customer service</b>	<b>18</b>

Additional information on products, accessories, replacement parts and services can be found at [www.gaggenau.com](http://www.gaggenau.com) and in the online shop [www.gaggenau-eshop.com](http://www.gaggenau-eshop.com)

---

## Signal Words for Safety and Best Use

---

---

### **WARNING**

---

This indicates that death or serious injuries may occur as a result of non-observance of this warning.

---

---

### **CAUTION**

---

This indicates that minor or moderate injuries may occur as a result of non-observance of this warning.

---

**NOTICE:** This indicates that damage to the appliance or property may occur as a result of non-compliance with this advisory.

**Note:** This alerts you to important information and/or tips.



# IMPORTANT SAFETY INSTRUCTIONS

READ AND SAVE THESE INSTRUCTIONS

 **WARNING:**

If the information in this manual is not followed exactly, a fire or explosion may result causing property damage, personal injury or death.

Do not store or use combustible materials, gasoline or other flammable vapors and liquids in the vicinity of this or any other appliance.

**WHAT TO DO IF YOU SMELL GAS:**

- Do not try to light any appliance.
- Do not touch any electrical switch.
- Do not use any phone in your building.
- Immediately call your gas supplier from a neighbor's phone. Follow the gas supplier's instructions.
- If you cannot reach your gas supplier, call fire department.

Installation and service must be performed by a qualified installer, authorized service agency or the gas supplier.



# IMPORTANT SAFETY INSTRUCTIONS

READ AND SAVE THESE INSTRUCTIONS

## Fire Safety

Save these instructions.

Set the burner control so that the flame does not extend beyond the bottom of the pan.

Do not allow aluminum foil, plastic, paper or cloth to come in contact with a hot surface element, burner or grate. Do not allow pans to boil dry.

If the cooktop is near a window, forced air vent or fan, be certain that flammable materials such as window coverings do not blow over or near the burners or elements. They could catch on fire.

Always have a working smoke detector near the kitchen.

Never leave the cooktop unattended when in use. Boilovers cause smoking and greasy spillovers may ignite.

---

### WARNING

TO REDUCE THE RISK OF A GREASE FIRE:

- a) Never leave surface units unattended at high settings. Boilovers cause smoking and greasy spillovers that may ignite. Heat oils slowly on low or medium settings.
- b) Always turn hood ON when cooking at high heat or when flambeing food (i.e. Crepes Suzette, Cherries Jubilee, Peppercorn Beef Flambé).
- c) Clean ventilating fans frequently. Grease should not be allowed to accumulate on fan or filter.
- d) Use proper pan size. Always use cookware appropriate for the size of the surface element.

In the event that personal clothing or hair catches fire, drop and roll immediately to extinguish flames.

Smother flames from food fires other than grease fires with baking soda. Never use water on cooking fires.

Take care that drafts like those from fans or forced air vents do not push the flames so that they extend beyond the edges of the pan.

Have an appropriate fire extinguisher available, nearby, highly visible and easily accessible near the appliance.

---

### WARNING

TO REDUCE THE RISK OF INJURY TO PERSONS IN THE EVENT OF A GREASE FIRE, OBSERVE THE FOLLOWING:

- a) **SMOTHER FLAMES** with a close-fitting lid, cookie sheet, or metal tray, then turn off the burner. **BE CAREFUL TO PREVENT BURNS.** If the flames do not go out immediately, **EVACUATE AND CALL THE FIRE DEPARTMENT.**
- b) **NEVER PICK UP A FLAMING PAN** – You may be burned.
- c) **DO NOT USE WATER**, including wet dishcloths or towels – a violent steam explosion will result.
- d) Use an extinguisher **ONLY** if:
  - You know you have a Class ABC extinguisher, and you already know how to operate it.
  - The fire is small and contained in the area where it started.
  - The fire department is being called.
  - You can fight the fire with your back to an exit.

Whenever possible, do not operate the ventilation system during a cooktop fire. However, do not reach through fire to turn it off.

## Gas Safety

To prevent carbon monoxide build-up, do not block appliance air vents.

Have the installer show you where the gas shut-off valve is located.

For proper burner performance, keep igniters clean and dry.

If a burner goes out and gas escapes, open windows and doors. Wait until gas dissipates before using the appliance.

**IMPORTANT SAFETY NOTICE:** Burning gas cooking fuel generates some by-products which are on the list of substances which are known by the State of California to cause cancer or reproductive harm. To minimize exposure to these substances, always operate this unit according to the instructions contained in this booklet and provide good ventilation.



# IMPORTANT SAFETY INSTRUCTIONS

READ AND SAVE THESE INSTRUCTIONS

---

## WARNING

All igniters spark when any single burner is turned on. Do not touch any of the burners when the cooktop is in use.

---

If you smell gas, your installer has not done a proper job of checking for leaks. If the connections are not perfectly tight, you can have a small leak and, therefore, a faint smell. Finding a gas leak is not a “do-it-yourself” procedure. Some leaks can only be found with the burner control in the ON position and this must be done by a qualified service technician. See Warning, page 1.

---

---

## WARNING

To prevent flare-ups all grates must be properly positioned on the cooktop whenever the cooktop is in use. Each of the feet must be placed into the corresponding dimples in the cooktop. Do not use a grate if the rubber feet are missing or damaged.

---

Keep the ignitor ports clean for proper lighting performance of the burners. It is necessary to clean these when there is a boilover or when the burner does not light even though the electronic igniters click.

---

---

## WARNING

To prevent flare-ups do not use the cooktop without all burner caps and all burner grates properly positioned.

---

---

## WARNING

Do not clean or touch any of the burners when an extra low burner (if equipped) is in use. When the extra low burner automatically reignites the ignitor at the burner will spark.

---

---

## WARNING

Use this appliance only for its intended use as described in this manual. NEVER use this appliance as a space heater to heat or warm the room. Doing so may result in carbon monoxide poisoning and overheating the appliance. Never use the appliance for storage.

---

---

## WARNING

NEVER cover any slots, holes or passages in the oven bottom or cover an entire rack with materials such as aluminum foil. Doing so blocks air flow through the oven and may cause carbon monoxide poisoning. Aluminum foil linings may also trap heat, causing a fire hazard.

---

## Burn Prevention

DO NOT TOUCH SURFACE UNITS OR AREAS NEAR UNITS - Surface units may be hot even though they are dark in color. Areas near surface units may become hot enough to cause burns. During and after use, do not touch, or let clothing, potholders, or other flammable materials contact surface units or areas near units until they have had sufficient time to cool. Among these areas are the cooktop and areas facing the cooktop.

---

---

## WARNING

### Risk of burns

Only close the appliance cover once the appliance has cooled down. Never turn on the appliance with the appliance cover closed. Don't set down food on appliance cover or use it for keeping food warm.

---

Do not heat or warm unopened food containers. Build-up of pressure may cause the container to burst and cause injury.

Always turn hood ON when cooking at high heat or when flambeing food (i.e. Crêpes Suzette, Cherries Jubilee, Peppercorn Beef Flambe).

Use high heat settings on the cooktop only when necessary. To avoid bubbling and splattering, heat oil slowly on no more than a low-medium setting. Hot oil is capable of causing extreme burns and injury.

Never move a pan of hot oil, especially a deep fat fryer. Wait until it is cool.

Secure all loose garments, etc. before beginning. Tie long hair so that it does not hang loose, and do not wear loose fitting clothing or hanging garments, such as ties, scarves, jewelry, or dangling sleeves.



# IMPORTANT SAFETY INSTRUCTIONS

READ AND SAVE THESE INSTRUCTIONS

## Child Safety

When children become old enough to use the appliance, it is the legal responsibility of the parents or legal guardians to ensure that they are instructed in safe practices by qualified persons.

Do not allow anyone to climb, stand, lean, sit, or hang on any part of an appliance, especially a door, warming drawer, or storage drawer. This can damage the appliance, and the unit may tip over, potentially causing severe injury.

Do not allow children to use this appliance unless closely supervised by an adult. Children and pets should not be left alone or unattended in the area where the appliance is in use. They should never be allowed to play in its vicinity, whether or not the appliance is in use.

---

## CAUTION

Items of interest to children should not be stored in an appliance, in cabinets above an appliance or on the backsplash. Children climbing on an appliance to reach items could be seriously injured.

---

## Cleaning Safety

**IMPORTANT SAFETY NOTICE:** The California Safe Drinking Water and Toxic Enforcement Act requires the Governor of California to publish a list of substances known to the state to cause cancer, birth defects or other reproductive harm, and requires businesses to warn customers of potential exposure to such substances. The burning of gas cooking fuel and the elimination of soil during self-cleaning can generate some by-products which are on the list. To minimize exposure to these substances, always operate this unit according to the instructions contained in this booklet and provide good ventilation.

---

## WARNING

---

The burning of gas cooking fuel can create small amounts of Carbon Monoxide, Benzene, Formaldehyde and Soot. To minimize exposure to these substances the burners should be adjusted by a certified installer or agency to ensure proper combustion. Ensure proper ventilation with an open window or use a ventilation fan or hood when cooking with gas. Always operate the unit according to the instructions in this manual.

---

Do not block the oven vent(s) during the self-cleaning cycle. Always operate the unit according to the instructions in this manual.

After a spill or boilover, turn off the burner and allow the cooktop to cool. Clean around the burner and burner ports. After cleaning, check for proper operation.

## Cookware Safety

Hold the handle of the pan when stirring or turning food. This helps prevent spills and movement of the pan.

**Use Proper Pan Size.**

The use of undersized cookware will expose a portion of the heating element or burner to direct contact and may result in ignition of clothing. Select cookware having flat bottoms large enough to cover the surface heating unit. This appliance is equipped with one or more surface units of different size. Proper relationship of cookware to heating element or burner will also improve efficiency.

Always position handles of utensils inward so they do not extend over adjacent work areas, burners, or the edge of the cooktop. This reduces the risk of fires, spills and burns.

Adjust burner flame size so that it does not extend beyond the edge of the cookware. Proper relationship of cookware to burner flame reduces safety risks.





# IMPORTANT SAFETY INSTRUCTIONS

READ AND SAVE THESE INSTRUCTIONS

## Proper Installation and Maintenance

Have the installer show you the location of the circuit breaker or fuse. Mark it for easy reference.

This appliance must be properly installed and grounded by a qualified technician. Connect only to properly grounded outlet. Refer to Installation Instructions for details.

This appliance is intended for normal family household use only. It is not approved for outdoor use. See the Warranty. If you have any questions, contact the manufacturer.

Do not store or use corrosive chemicals, vapors, flammables or nonfood products in or near this appliance. It is specifically designed for use when heating or cooking food. The use of corrosive chemicals in heating or cleaning will damage the appliance and could result in injury.

---

### WARNING

---

Failure to operate knobs properly may result in personal injury and damage to the appliance.

---

This appliance is not intended for operation with an external time switch or external remote control.

Do not operate this appliance if it is not working properly, or if it has been damaged. Contact an authorized servicer.

Do not repair or replace any part of the appliance unless specifically recommended in this manual. Refer all servicing to a factory authorized service center.

To avoid electrical shock hazard, before servicing the appliance, switch power off at the service panel and lock the panel to prevent the power from being switched on accidentally.

---

## Causes of Damage

---

---

### CAUTION

---

#### **Heat damage on adjoining appliances or furniture**

Heat and moisture arise when the appliance is operated for a prolonged period of time. Additional ventilation is required. Open windows or switch on a ventilation hood that leads to the outside.

---

---

### CAUTION

---

#### **Damage to the appliance due to heat build-up**

Do not heat any roasters, pans or grill stones with several burners at a time.

---

---

### CAUTION

---

#### **Malfunction**

Always set control knobs to the zero position when the appliance is not in operation.

---

---

### CAUTION

---

Avoid scratching the cooktop when removing and fitting the pan support. Remove it with both hands in the upward direction.

---

---

## Environmental protection

---

Unpack the appliance and dispose of the packaging in line with environmental requirements.

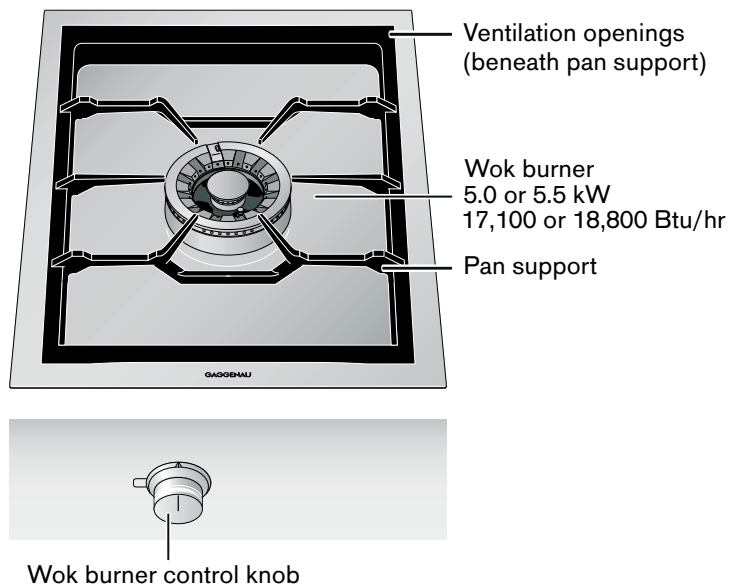
### **Tips for saving energy**

- Use pots and pans with flat bottoms. Uneven bottoms increase energy consumption.
- For small amounts, use a small pot. A large pot that isn't very full requires a lot of energy.
- Always cover pots with a lid that fits. When cooking without a lid, you need four times more energy.
- Cook with little water. This saves energy. The vitamins and minerals in vegetables are preserved.
- Switch promptly back to a lower setting for cooking.

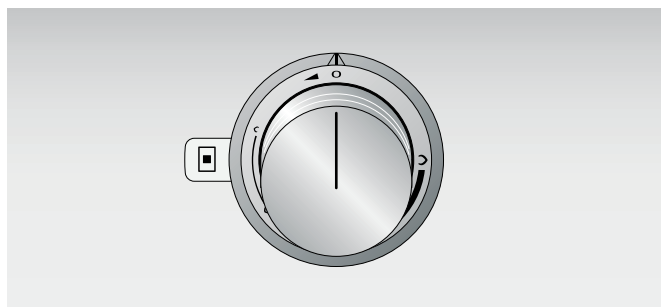
## Your new appliance

Here you will get to know your new appliance and obtain information about accessories.

### Gas cooktop



### Control knob



The markings on the control knob show you the output from full to low flame. Powerlevel is continuously adjustable.

### Special accessories

You can order the following accessories from your specialist dealer:

- AA 414 010 Ventilation molding, for operation next to the VL 414 downdraft ventilation
- WP 400 001 Wok pan made of multi-layered material. With concave bottom and handle, Ø 36 cm, 6 liters, height 10 cm.

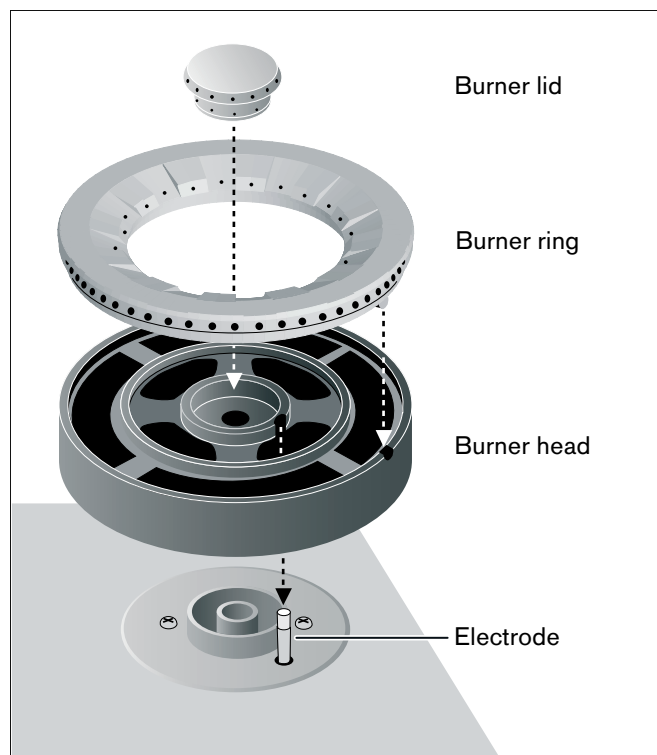
- SV 401 090 Spindle extension up to 140 mm
- SV 401 205 Spindle extension up to 300 mm
- VA 420 000 Connection strip for combination with other Vario appliances in the 400 series for flush installation
- VA 420 001 Connection strip for combination with other Vario appliances in the 400 series for flush installation with appliance cover/compensation strip
- VA 420 010 Connection strip for combination with other Vario appliances in the 400 series for surface-mounted installation
- VA 420 011 Connection strip for combination with other Vario appliances in the 400 series for surface-mounted installation with appliance cover/compensation strip
- VA 440 010 Stainless steel appliance cover
- VA 450 400 Appliance extension 15" (38 cm)

Use the accessories only as indicated. The manufacturer assumes no liability for incorrect usage of the accessories.

## Setting up the burner

The burner parts must be positioned flat and so that they fit perfectly in place, otherwise malfunctions may occur with ignition or during operation. Fit the burner head so that the electrode is positioned in the applicable recess on the burner head. The latching lug on the burner ring must engage in the appropriate recess on the burner head.

### Setting up the wok burner



## Operation

The markings on the control knobs show you the power from a full to a small flame. The power is can be adjusted continuously.

### Notes

- Only light cooking positions when the pan support and all burner parts are correctly positioned.
- The burner and electrode must be clean and dry.
- Only use the specified accessories. Do not line stainless steel cooktop (e.g. with aluminum foil).
- Do not cover up the gas cooktop's ventilation openings under the pan support.

### ⚠ CAUTION

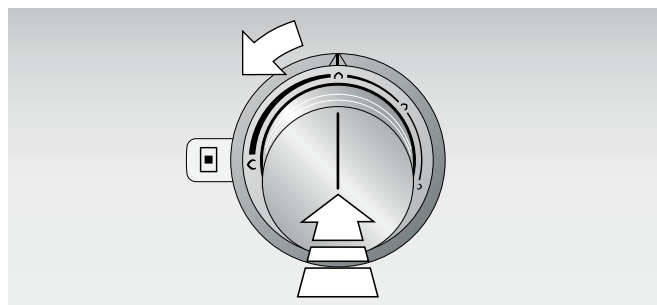
#### Heat damage to the range hood

Turn on a range hood when the gas cooktop is in operation. An appropriately high-output range hood must be selected for using multiple cooking zones. Provide for sufficient air supply.

## Turning on

Your gas cooktop has automatic fast ignition.

- 1 Place an appropriate cooking vessel on the burner.
- 2 Push in the appropriate control knob and turn it left to the desired position. The burner ignites automatically.



By slowly turning the control knob, the flame size can be steplessly adjusted between full and low flame.

#### Notes

- If you have large pots standing on the cooking positions, you should ignite with a small flame.
- The electronic system runs a self-test every time the gas cooktop is switched on. The electrode ignites and the burner ignites after a few seconds.
- The electronic system opens the supply of gas when you switch on the gas cooktop and this produces a brief noise. This is normal.
- The appliance is not operable during a power outage.

## Electronic flame monitoring and automatic re-ignition

For your safety, the cooktop is equipped with an electronic flame monitoring system. The appliance re-ignites the burner automatically if the flame goes out during operation (e.g. through a draft of air).

If re-ignition is unsuccessful (e.g. the burner has been soiled by overboiling), the appliance turns off the supply of gas and an audible signal sounds.

Turn the control knob to the 0 position. Wait until the appliance has cooled down sufficiently and then check whether all burner parts are correctly fitted. Check whether the burner or the electrode is soiled (see "Troubleshooting").

#### Note the following when igniting the cold appliance to a full flame:

Depending on the type of gas and gas pressure, it is possible that the electrode ignites and then switches off again although a flame is present. Turn the control knob to the 0 position and then to the low flame. After igniting, wait for 30 - 60 seconds until the burner has warmed up. You can now use your appliance in the manner to which you are accustomed.

## Turning off

Fully turn the control knob to the 0 position on the right. The appliance electronics closes the gas supply.



#### WARNING

##### Risk of burns

Heat builds up when the appliance cover is closed. Let appliance cool down prior to closing the cover. Never switch on the appliance with the cover closed. Do not use the appliance cover to keep food warm or as a surface for placing objects on it.

---

## Safety lock

For your protection, the appliance has a safety shut-off feature. The appliance switches off after six hours if it is not operated during this time.

Even after a power outage, the appliance stays switched off. A prolonged audible signal is sounded.

Turn the control knob to 0. You can then operate the appliance in the way to which you are accustomed.

## Settings table and tips

Setting range	Cooking procedure	Examples
Full flame $\uparrow$	Bring to the boil	Water
	Frying	Meat
	Heating up	Grease, fluid
	Bring to the boil	Soups, sauces
	Blanching	Vegetables
From $\uparrow$ to $\uparrow$	Roasting	Meat, fish, potatoes
	Baking	Pastries, egg dishes
	Simmering	Dumplings, boiled sausage, boiled meat
	Whipping	Creams, sauces
	Boiling	Soups, potatoes
	Steaming	Vegetables, fish
	Stewing	Vegetables, fruit, fish
	Braising	Goulash, roasts, vegetables
	Low flame $\downarrow$	Thawing
Soaking		Rice, pulses
Warming up		Soups, stews, vegetables in sauce

## Tips for cooking and roasting

The values in the settings table serve as mere guidelines, since more or less heat may be required, depending on the type and condition of the foods, as well as the size and fullness of the pot.

The high output causes grease and oil to heat up quickly. Don't leave food unattended while frying; grease can catch fire and burn the food.

## Wok tips

We recommend woks with a concave bottom. You can order a high-quality wok as a special accessory (WP 400 001)

For cooking, only use cooking oil that can be heated up, such as peanut oil, with the wok.

Cook the ingredients at high heat while stirring constantly, for not too long. The vegetables should still be firm to the bite.

It is advisable to use a flat ladle with a long handle, made of heat-resistant material, to stir and scoop out.

## Information on cookware

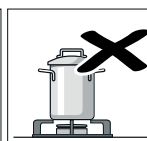
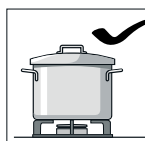
The following information will help you save energy and avoid damage to cooking vessels.

## Appropriate cooking vessels

Burner	Recommended diameter of pot base	Minimum diameter of pot base
Wok burner	240 - 320 mm	160 mm

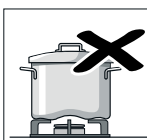
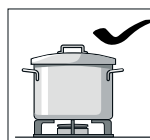
Pots with a diameter of less than 160 mm or greater than 320 mm shouldn't be used. If you use larger pots, they must not protrude beyond the width of the appliance.

## Information for use



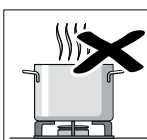
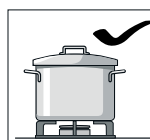
Use cooking vessels of appropriate size for the particular burner.

Don't use small cooking vessels on large burners. The flame shouldn't come in contact with the sides of the cooking vessel.

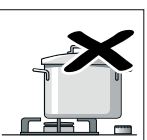
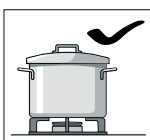


Don't use any deformed cooking vessels that don't stand solidly on the cooktop. The vessels could tip over.

Only use cooking vessels with flat and thick bottoms.

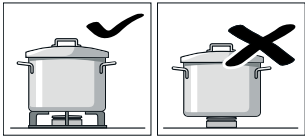


Don't cook without a lid or if the lid is not on all the way. The majority of the heat is lost.



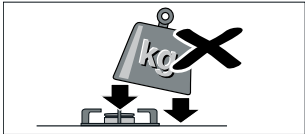
Place the cooking vessel in the center of the burner, otherwise it may tip over.

Don't place large pots on the burners near the stove controls. They could overheat and become damaged.



Place the pots on the pan supports, never directly onto the burners.

Prior to use, ensure that the pan supports and lids of the gas burners are positioned correctly.



Handle vessels carefully on the cooktop.

Don't bang the cooktop and don't place any heavy weights on it.



Never heat a cooking vessel (e.g. roasting tin, pan, cooking stone) with multiple burners. The resulting accumulation of heat causes damage to the appliance.

---

## Care and cleaning

---

In this section, you'll find tips and information about optimum care and cleaning of the cooktop.

---

### **WARNING**

#### **Risk of electrical shock**

Moisture entering the appliance can cause an electrical shock. Don't use a high-pressure cleaner or steam cleaner.

---

---

### **WARNING**

#### **Risk of burns**

The accessible parts get hot during operation. Never touch hot parts. Keep children away.

---

---

### **CAUTION**

#### **Surface damage**

Do not use these cleaning agents

- Caustic or corrosive cleaners
  - Oven cleaners
  - Cleaners that are caustic, contain chlorine or are aggressive
  - Cleaners containing large proportions of alcohol
  - Hard, scratchy dish-washing sponges, brushes or scourers

If such an agent comes into contact with the appliance, wipe it off immediately with water. Thoroughly wash out new sponge cloths before using them.

---

---

### **CAUTION**

Avoid scratching the cooktop when removing and fitting the pan support. Remove it with both hands in the upward direction.

---

## Cleaning the appliance

Clean the appliance after each use, once it has cooled down. Remove spilled fluids immediately; don't let any food rests burn on.

Keep the ventilation openings under the pan support clean. The ventilation openings must not be covered.

Thoroughly dry the burners after cleaning. Only turn on the appliance once all parts are dry. Damp burner parts could cause problems with ignition or an unstable flame.

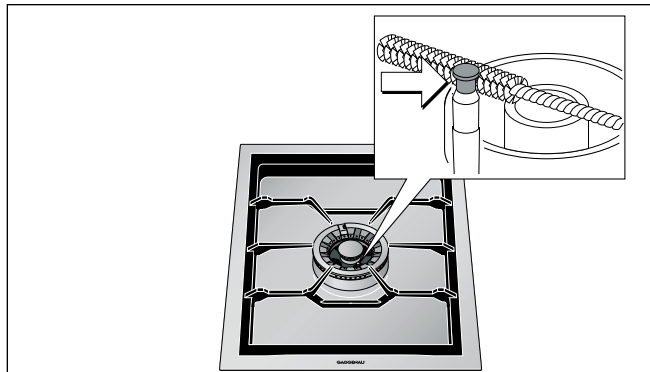
When assembling the burner parts, pay attention to their correct positions (latching lugs). All parts must lie flat.

Appliance part/ surface	Recommended cleaning
Stainless steel surfaces	<p>Apply dishwashing liquid – dry off with a soft cloth. Only use a little water for cleaning; no water must penetrate into the appliance.</p> <p>Soak burned-in grime in a little water and some dishwashing liquid. Do not scrub it off.</p> <p>Use our stainless steel cleaner (order number 311413) to remove extreme soiling or yellow discoloration caused by heat.</p>
Pan supports	<p>Remove carefully for cleaning. Soak them in the sink. Clean with a dishwashing brush and dishwashing liquid.</p> <p>Clean carefully around the rubber buffers so they do not come loose.</p> <p>Rinse them with clear water and carefully dry them before putting them back in place.</p> <p><b>Do not wash them in a dishwasher!</b></p>
Burner parts (brass)	<p>Dishwashing liquid – dry with a soft cloth. Make sure openings are not clogged.</p> <p>Make sure that no small parts are lost.</p> <p><b>Do not wash them in a dishwasher!</b></p>
Control knobs	<p>Dishwashing liquid – the cloth must not be too moist. Wipe dry with a soft cloth.</p>

## Clean the electrode

A dirty electrode can disrupt ignition or flame monitoring.

If required, clean it with the brush included. The electrode is sensitive. Clean it carefully. Do not twist or damage it. **Do not switch on the cooktop while cleaning it.**



## Burned-on grime

For stubborn, burned-on grime, you can order a grille cleaner gel from your specialist shop or our customer service (order number 463582). It is suitable for pan supports, burner parts and the stainless steel cooktop. Leave on overnight if necessary. Bear in mind the notes on the cleaner.

## Burner discoloration

After prolonged use, the brass burner parts go dark due to natural oxidation. The color changes has no impact on useful benefit. Proceed as follows to remove such discoloration:

- 1 Prepare a solution out of equal parts white vinegar with no more than 8 % acid (domestic vinegar) and warm water.
- 2 Place the discolored burner parts in the solution for 10 minutes at most. Remove stubborn stains with a cloth or a sponge.
- 3 Then thoroughly rinse the burner parts with clear water and dry them well before their next use.

### ⚠ CAUTION

Too high a concentration of solution or excessively prolonged contact of the burner parts with vinegar will damage the surface.



## Troubleshooting

You can often easily eliminate problems that may occur on your own. Before calling customer service, take into account the following information.



### WARNING

#### Risk of electric shock

Incorrect repairs are dangerous. Repairs may only be carried out by one of our trained after-sales engineers. If the appliance is faulty, unplug the mains plug or switch off the fuse in the fuse box. Contact the after-sales service.

Malfunction	Cause	Solution
Burner does not ignite when switched on.	No power supply.	Turn all control knobs to 0. Check in the fuse box whether the fuse has blown.
Burner does not ignite when switched on. Audible signal sounds.	Fault on the burner or the gas supply.	Turn all control knobs to 0. <b>Check:</b> <ul style="list-style-type: none"> <li>● Burner parts fitted correctly?</li> <li>● Gas shut-off valve open?</li> <li>● Burners dry and clean?</li> <li>● Air in the line after first connection or a change of gas cylinder (liquid gas)?</li> <li>● Gas cylinder empty (liquid gas)?</li> </ul>
Burner goes off during operation. Audible signal sounds.	Fault on the burner or the gas supply.	Turn all control knobs to 0. <b>Wait until the appliance has cooled down.</b> <b>Check:</b> <ul style="list-style-type: none"> <li>● Burner parts fitted correctly?</li> <li>● Electrode soiled (food remainders) or moist?</li> <li>● Burner soiled by spillovers?</li> <li>● Strong draft (e.g. open window directly behind the gas stovetop)?</li> <li>● Gas cylinder empty (liquid gas)?</li> </ul>
Burner goes off during operation. Audible signal continues to sound although all control knobs have been turned to 0.	Protection against overheating	Turn all control knobs to 0. Wait until the appliance has cooled down and the audible signal goes off.
Burner goes off during operation.	Power failure	Turn all control knobs to 0. Check the power supply. The burners do not reignite automatically after a power failure.
Turn the control knob to 0. The appliance tries to reignite and an audible signal sounds.	Technical defect	Notify Gaggenau customer service.
Burners go off during operation. An audible signal sounds.	Safety shut-off: appliance has not been operated in the past six hours.	Turn the control knob to 0 and then switch on again, if necessary.
There is a smell of gas in the kitchen.	Potential leak on connection of gas cylinder.	Check gas cylinder connection for leaks.
The corners of the appliance curve upwards slightly during operation.	The heat causes the cooktop's metal to expand.	This is normal. No curving is visible after cooling down.

---

## Customer service

---

If your appliance needs repairs, our customer service is there for you. We work hard to help solve problems quickly and without unnecessary service calls, getting your appliance back up and running correctly in the least amount of time possible.

When you call, please indicate the product number (E-Nr.) and serial number (FD-Nr.) so that we can support you in a qualified manner. You will find the type plate with these numbers on the bottom of the appliance. To avoid having to search for a long time when you need it, you can enter your appliance data and the customer support telephone number here.

---

**E-Nr.**

**FD-Nr.**

---

---

### Customer Service

---

Please read the use and care instructions provided with your appliance. Failure to do so may result in an error in using the appliance. This could result in a service call that instead of fixing a mechanical issue is only needed for customer education. Such calls are not covered by the appliance warranty.

Please find the contact data of all countries in the enclosed customer service list.

#### **To book an engineer visit and product advice**

**USA**            877 442 4436  
                     toll-free

**CANADA**      800 828 9165

You can rely on the manufacturer's expertise. Rest assured that the repair will be handled by trained service technicians who have the original replacement parts for your appliance.

---

## Table des Matières

---

<b>Mots de signalisation pour la sécurité et l'utilisation optimale</b>	<b>20</b>
<b>CONSIGNES DE SÉCURITÉ IMPORTANTES</b>	<b>21</b>
Sécurité-incendie	22
Sécurité en matière de gaz	22
Prévention des brûlures	23
Sécurité des enfants	24
Consignes en matière de nettoyage	24
Sécurité pour la batterie de cuisine	25
Installation et entretien corrects	25
<b>Causes des dommages</b>	<b>26</b>
<b>Protection de l'environnement</b>	<b>26</b>
Conseils d'économie d'énergie	26
<b>Votre nouvel appareil</b>	<b>27</b>
Table de cuisson à gaz	27
Manettes de commande	27
Accessoires spéciaux	27
Description du brûleur	28
<b>Utilisation</b>	<b>28</b>
Mise en marche	28
Surveillance électronique de flamme et rallumage automatique	29
Arrêt	29
Coupure de sécurité	29
<b>Tableau de réglage et conseils</b>	<b>30</b>
Conseils pour la cuisson	30
Conseils en cas d'utilisation d'un wok	30
<b>Conseils concernant les récipients de cuisson</b>	<b>31</b>
Récipients de cuisson adaptés	31
Conseils d'utilisation	31
<b>Entretien et nettoyage</b>	<b>32</b>
Nettoyage de l'appareil	32
Nettoyage de l'électrode	33
Salissures brûlées	33
Décoloration des brûleurs	33
<b>Anomalies – que faire ?</b>	<b>34</b>
<b>Service après-vente</b>	<b>35</b>

Vous trouverez des informations supplémentaires concernant les produits, accessoires, pièces de rechange et services sur Internet sous :

[www.gaggenau.com](http://www.gaggenau.com) et la boutique en ligne : [www.gaggenau-eshop.com](http://www.gaggenau-eshop.com)

---

## Mots de signalisation pour la sécurité et l'utilisation optimale

---

---

### **AVERTISSEMENT**

---

Le non-respect de cet avertissement peut entraîner la mort ou des blessures graves.

---

---

### **ATTENTION**

---

Le non-respect de cet avertissement peut entraîner des blessures mineures ou modérées.

---

**AVIS :** Vous indique que des dommages à l'appareil ou aux biens peuvent survenir si vous ne respectez pas cet avertissement.

**Remarque :** Vous signale des informations importantes ou des conseils.



# CONSIGNES DE SÉCURITÉ IMPORTANTES

LIRE ET CONSERVER CES INSTRUCTIONS

## AVERTISSEMENT :

Si les informations du présent manuel ne sont pas parfaitement respectées, un incendie ou une explosion risquent de survenir et de provoquer des dommages matériels, des blessures corporelles ou la mort.

Ne pas conserver ni utiliser de matières combustibles, d'essence ou d'autres vapeurs et liquides inflammables à proximité de cet appareil ou de tout autre appareil électroménager.

### QUE FAIRE EN CAS D'ODEUR DE GAZ :

- Ne tentez d'allumer aucun appareil.
- Ne touchez aucun interrupteur électrique.
- N'utilisez aucun téléphone dans le local.
- Appelez immédiatement le fournisseur de gaz à partir du téléphone d'un voisin. Suivez les instructions du fournisseur de gaz.
- Si vous ne parvenez pas à joindre le fournisseur de gaz, appelez le service des incendies.

L'installation et l'entretien doivent être effectués par un installateur compétent, un service d'entretien autorisé ou le fournisseur de gaz.



# CONSIGNES DE SÉCURITÉ IMPORTANTES

LIRE ET CONSERVER CES INSTRUCTIONS

## Sécurité-incendie

Conserver ces instructions.

Régler la commande de brûleur afin que la flamme ne puisse pas dépasser le rebord du fond des casseroles.

Ne laissez pas le papier d'aluminium, le plastique, le papier ou les tissus entrer en contact avec un élément de surface, une grille ou un brûleur chaud. Ne laissez pas les casseroles chauffer à sec.

Si la table de cuisson est près d'une fenêtre, d'un évent à air forcé ou d'un ventilateur, s'assurer que les matériaux inflammables tels les tentures/rideaux ne flottent pas au-dessus ou près des brûleurs ou éléments. Ils risqueraient de s'enflammer.

Toujours avoir un détecteur de fumée en état de marche près de la cuisine.

Ne laissez jamais la table de cuisson sans surveillance lorsqu'elle est en utilisation. Des débordements causant de la fumée et des déversements graisseux peuvent prendre feu.

---

### AVERTISSEMENT

POUR RÉDUIRE LES RISQUES DE FEUX DE GRAISSE :

- a) Ne jamais faire fonctionner les unités de surface à des températures élevées sans surveillance. Des débordements causant de la fumée et des déversements graisseux peuvent prendre feu. Chauffer l'huile lentement à réglage faible ou moyen.
- b) Mettre toujours la hotte EN MARCHÉ pendant la cuisson à température élevée et au moment de flamber des aliments (p.ex., crêpes Suzette, cerises jubilé, steak au poivre flambé).
- c) Nettoyer souvent les ventilateurs d'aération. Il ne faut pas que la graisse s'accumule sur le ventilateur ou sur le filtre.
- d) Utiliser des casseroles de taille adéquate. Utiliser toujours des casseroles dont les dimensions conviennent à la taille de l'élément.

---

Si des vêtements s'enflamment, rouler par terre immédiatement pour éteindre les flammes.

Étouffez les flammes d'un feu d'aliments autre qu'un feu de graisse à l'aide de bicarbonate de soude. Ne jamais utiliser d'eau sur les feux de cuisson.

S'assurer que l'air brassé par les ventilateurs ou les événements à air forcé n'agisse pas sur les flammes d'un brûleur de sorte qu'elles risquent de dépasser des rebords d'une casserole.

Veillez à avoir à portée de main un extincteur d'incendie en bon état de marche, placé visiblement près de l'appareil et facile d'accès.

---

### AVERTISSEMENT

POUR RÉDUIRE LE RISQUE DE LÉSIONS CORPORELLES DANS L'ÉVENTUALITÉ D'UN FEU DE GRAISSE, OBSERVER LES CONSIGNES SUIVANTES :

- a) **ÉTOUFFER LES FLAMMES** à l'aide d'un couvercle bien hermétique, d'une tôle à biscuits ou d'un plateau en métal, puis éteindre l'appareil. **FAIRE ATTENTION À NE PAS SE BRÛLER.** Si les flammes ne s'éteignent pas immédiatement, **ÉVACUER LES LIEUX ET FAIRE APPEL AU SERVICE D'INCENDIE.**
- b) **NE JAMAIS SAISIR UN RÉCIPIENT QUI BRÛLE.** Vous pourriez vous brûler.
- c) **NE PAS UTILISER D'EAU**, y compris les chiffons ou serviettes mouillées. Une violente explosion de vapeur risque de se produire.
- d) Utiliser un extincteur uniquement si :
  - Vous savez que vous possédez un extincteur de CLASSE ABC, et vous en connaissez déjà le maniement.
  - L'incendie est de petite ampleur et contenu dans la zone où il s'est déclaré.
  - Le service d'incendie est appelé.
  - On peut combattre l'incendie le dos tourné vers la sortie.

---

Dans la mesure du possible, ne pas faire fonctionner le système de ventilation lorsqu'un feu se déclenche sur une table de cuisson. Toutefois, ne pas passer la main à travers le feu pour mettre le système de ventilation hors tension.

## Sécurité en matière de gaz

Pour éviter toute accumulation d'oxyde de carbone, ne pas bloquer les événements de l'appareil.

Se faire indiquer l'emplacement du robinet d'arrêt de gaz par l'installateur.

Pour un fonctionnement adéquat des brûleurs, l'allumeur doit toujours être propre et sec.



# CONSIGNES DE SÉCURITÉ IMPORTANTES

LIRE ET CONSERVER CES INSTRUCTIONS

Si un brûleur s'éteint et que du gaz s'échappe, ouvrir portes et fenêtres. Attendre que le gaz se soit dissipé avant d'utiliser de nouveau l'appareil.

**AVIS DE SÉCURITÉ IMPORTANT :** l'incinération de combustible gazeux de cuisson peut générer des sous-produits qui figurent sur la liste des substances reconnues par l'État de Californie comme étant cancérigènes ou nuisibles à la reproduction. Pour minimiser l'exposition à ces substances, toujours faire fonctionner cet appareil conformément aux instructions contenues dans cette brochure et assurer une bonne ventilation.

---

## AVERTISSEMENT

Tous les allumeurs émettent des étincelles lorsqu'on allume un brûleur. Ne toucher aucun brûleur lors de l'utilisation de la table de cuisson.

Si vous sentez du gaz, votre installateur n'a probablement pas détecté une fuite de gaz. Si les branchements ne sont pas parfaitement étanches, vous pourriez avoir une petite fuite et donc une légère odeur de gaz. La détection d'une fuite de gaz n'est pas une opération à faire soi-même. Certaines fuites ne peuvent être détectées que si le brûleur est en position de marche et ceci doit être fait par un technicien de réparation qualifié. Voir Avertissement, page 1.

---

## AVERTISSEMENT

Pour éviter les poussées de flamme lors de l'utilisation de la table de cuisson, les grilles de brûleur doivent être correctement installées. Les pieds de support des grilles doivent reposer sur les alvéoles de la table de cuisson prévues à cet effet. Ne pas utiliser une grille si les pieds en caoutchouc sont absents ou abîmés.

Les orifices de l'allumeur doivent être propres pour que les brûleurs s'allument correctement. Il est impératif de nettoyer les brûleurs en cas de débordement ou si un brûleur ne s'allume pas même si l'allumeur émet un léger claquement.

---

## AVERTISSEMENT

Pour éviter les poussées de flamme, ne pas utiliser la table de cuisson sans avoir correctement installé les capuchons de brûleur et les grilles de brûleur.

---

## AVERTISSEMENT

Ne pas nettoyer ni toucher les brûleurs lorsque le brûleur à très faible puissance (s'il y en a un) est en cours d'utilisation. Lorsque le brûleur à très faible puissance se rallume automatiquement, l'allumeur émettra des étincelles au niveau du brûleur.

---

## AVERTISSEMENT

Utiliser cet appareil uniquement pour l'usage auquel il est destiné comme l'indique ce manuel. Ne JAMAIS utiliser cet appareil comme un radiateur électrique portatif pour chauffer ou réchauffer une pièce. Ceci pourrait entraîner une intoxication par l'oxyde de carbone et provoquer une surchauffe de l'appareil. L'appareil ne doit jamais servir à entreposer quoi que ce soit.

---

## AVERTISSEMENT

Ne JAMAIS couvrir les encoches, orifices ou passages pratiqués au fond du four et ne jamais recouvrir complètement la grille avec des matériaux tels que le papier d'aluminium. Ceci aurait pour effet de bloquer la circulation de l'air à l'intérieur du four et pourrait entraîner une intoxication par l'oxyde de carbone. Les feuilles d'aluminium peuvent également emprisonner la chaleur et présenter ainsi un risque d'incendie.

## Prévention des brûlures

**NE PAS TOUCHER AUX ÉLÉMENTS DE SURFACE NI AUX ZONES PRÈS DES ÉLÉMENTS.** Les unités de surface peuvent être chaudes même lorsqu'elles sont de couleur foncée. Les zones près des unités de surface peuvent devenir suffisamment chaudes pour causer des brûlures. Pendant et après l'utilisation, ne pas toucher, ni laisser vêtements, poignées isolantes ou autres matériaux inflammables entrer en contact avec les éléments de surface ni aux zones près des éléments tant qu'ils n'ont pas refroidi. Citons notamment la table de cuisson et les surfaces situées près de celle-ci.



# CONSIGNES DE SÉCURITÉ IMPORTANTES

LIRE ET CONSERVER CES INSTRUCTIONS

---

## AVERTISSEMENT

---

### Risque de brûlure

Ne fermez pas le couvercle avant le refroidissement de l'appareil. N'allumez jamais l'appareil lorsque le couvercle est fermé. N'utilisez pas le couvercle pour maintenir au chaud ou déposer des objets.

---

Ne pas chauffer ou réchauffer des contenants d'aliments non ouverts. L'accumulation de pression peut faire exploser le contenant et provoquer des blessures.

Mettre toujours la hotte EN MARCHÉ pendant la cuisson à température élevée et au moment de flamber des aliments (p.ex., crêpes Suzette, cerises jubilé, steak au poivre flambé).

Utiliser les réglages élevés seulement lorsque nécessaire. Pour éviter bulles et éclaboussures, chauffer l'huile lentement à réglage faible ou moyen. L'huile chaude peut causer des brûlures et blessures extrêmement graves.

Ne déplacez jamais une poêle contenant de l'huile chaude, en particulier une bassine à friture. Attendez qu'elle se soit refroidie.

Attacher les vêtements lâches, etc. avant de commencer. Attacher les cheveux longs de façon à ce qu'ils ne pendent pas et ne pas porter de vêtements lâches ou d'habits ou objets qui pendillent, tels que cravates, foulards, bijoux ou manches.

## Sécurité des enfants

Lorsque les enfants sont assez âgés pour utiliser l'appareil, il incombe aux parents ou tuteurs légaux de veiller à ce qu'ils soient formés aux pratiques sécuritaires par des personnes qualifiées.

Ne permettre à personne de grimper, rester debout, s'appuyer, s'asseoir ou se pencher sur toute partie d'un appareil, notamment une porte, un tiroir-réchaud ou un tiroir de rangement. Ceci peut endommager l'appareil qui risque de basculer et causer des blessures sérieuses.

Ne pas permettre aux enfants d'utiliser cet appareil sauf sous la surveillance attentive d'un adulte. Ne pas laisser les enfants et les animaux seuls ou sans surveillance lorsque l'appareil est en service. Ne jamais les laisser jouer aux alentours de l'appareil, que ce dernier soit en service ou non.

---

## ATTENTION

---

Les articles d'intérêt pour les enfants ne doivent pas être rangés dans un appareil électroménager, dans les armoires au-dessus de l'appareil ou sur le dossier. Les enfants peuvent grimper sur l'appareil pour atteindre ces objets et se blesser sérieusement.

---

## Consignes en matière de nettoyage

**AVIS DE SÉCURITÉ IMPORTANT :** en application de la loi de la Californie sur la qualité de l'eau potable et sur les produits toxiques (« California Safe Drinking Water and Toxic Enforcement Act »), le Gouverneur de Californie est tenu de publier une liste des substances reconnues par l'État de Californie comme étant cancérigènes ou pouvant causer des malformations ou nuire à la reproduction, et les entreprises sont tenues d'avertir les consommateurs des risques potentiels d'exposition à de telles substances. L'incinération de combustible gazeux de cuisson et l'élimination de salissures lors d'un autonettoyage peuvent générer des sous-produits qui figurent sur cette liste. Pour minimiser l'exposition à ces substances, toujours faire fonctionner cet appareil conformément aux instructions contenues dans cette brochure et assurer une bonne ventilation.

---

## AVERTISSEMENT

---

L'incinération de combustible gazeux de cuisson peut générer de faibles quantités d'oxyde de carbone, de benzène, de formaldéhyde et de suie. Afin de minimiser l'exposition à ces substances, les brûleurs doivent être réglés par un installateur ou un service certifié afin d'assurer une combustion adéquate. Assurer une ventilation adéquate en ouvrant une fenêtre ou utiliser un ventilateur ou une hotte aspirante lorsque vous cuisinez au gaz. Toujours utiliser l'appareil conformément aux instructions du présent manuel.

---

Ne pas bloquer le ou les événements du four pendant le cycle d'autonettoyage. Toujours utiliser l'appareil conformément aux instructions du présent manuel.

Après tout déversement ou débordement, éteindre le brûleur et laisser la table de cuisson refroidir. Nettoyer le pourtour du brûleur ainsi que ces orifices. Une fois ce nettoyage terminé, vérifier le bon fonctionnement du brûleur.





# CONSIGNES DE SÉCURITÉ IMPORTANTES

LIRE ET CONSERVER CES INSTRUCTIONS

## Sécurité pour la batterie de cuisine

Tenir la poignée de la casserole en brassant ou tournant les aliments. Ceci l'empêche de bouger et évite les déversements.

Utiliser des casseroles de taille adéquate. L'utilisation de casseroles trop petites aura pour effet d'exposer une partie de l'élément chauffant ou du brûleur pouvant présenter un risque de contact direct et d'incendie de vêtements. Sélectionner des ustensiles à fond plat, suffisamment larges pour couvrir l'élément chauffant. Cet appareil est doté de surfaces de différents formats. Un bon rapport ustensile/élément chauffant ou brûleur permet également d'améliorer le fonctionnement de l'appareil.

Tourner toujours les poignées an qu'elles ne passent pas au-dessus des zones adjacentes de cuisson ou du bord de l'appareil. Ceci aide à diminuer le risque d'ignition de matériaux inflammables, de déversements et de brûlures.

Ajuster la taille de la flamme des brûleurs afin qu'elle ne dépasse pas le bord des ustensiles. Un bon rapport flamme/ustensile entraîne une diminution des risques en matière de sécurité.

## Installation et entretien corrects

Demandez à l'installateur de vous montrer où se trouve le disjoncteur ou le fusible. Identifier sa position pour pouvoir le retrouver facilement.

Cet appareil doit être adéquatement installé et mis à la terre par un technicien agréé. Branchez l'appareil uniquement dans une prise correctement reliée à la terre. Pour plus de détails, reportez-vous à la notice d'installation.

Cet appareil est destiné uniquement à une utilisation domestique normale. Il n'est pas homologué pour un usage en extérieur. Voyez la garantie. Si vous avez des questions, communiquez avec le fabricant.

Ne pas entreposer ni utiliser de produits chimiques corrosifs, vapeurs, substances inflammables ou produits non alimentaires à l'intérieur ou à proximité de l'appareil. Il a été spécialement conçu pour être utilisé pendant le chauffage et la cuisson des aliments. L'emploi de produits chimiques corrosifs pour chauffer ou nettoyer l'appareil endommagera ce dernier et peut provoquer des blessures.

---

## AVERTISSEMENT

---

Le non respect du mode de fonctionnement des boutons peut entraîner des lésions corporelles ou des dommages à l'appareil.

---

Cet appareil n'est pas prévu pour fonctionner avec un programmeur externe ou une télécommande externe.

Ne pas se servir de cet appareil s'il ne fonctionne pas correctement ou s'il est endommagé. Communiquer avec un réparateur autorisé.

Ne pas réparer ni remplacer toute pièce de l'appareil à moins que cela ne soit spécifiquement recommandé par ce manuel. Toute réparation doit être effectuée par un centre de réparation autorisé par l'usine.

Pour éviter les risques d'électrocution, avant de réparer l'appareil, mettre l'alimentation hors circuit au niveau du panneau de service et le verrouiller pour éviter toute mise en circuit accidentelle.

---

## Causes des dommages

---

---

### ATTENTION

---

#### **Dégâts subis par les appareils et meubles voisins en raison de la chaleur**

Le fonctionnement prolongé de l'appareil provoque un dégagement de chaleur et d'humidité. Il faut prévoir une ventilation supplémentaire. Ouvrez une fenêtre ou bien mettez la hotte en marche.

---

---

### ATTENTION

---

#### **Dégâts subis par l'appareil en raison d'une accumulation de chaleur**

Ne pas utiliser des cocottes, poêles ou pierres à griller en même temps sur plusieurs brûleurs.

---

---

### ATTENTION

---

#### **Anomalie**

Lorsque l'appareil n'est pas en service, toujours ramener les manettes de commande en position zéro.

---

---

### ATTENTION

---

Ne pas rayer la table de cuisson en enlevant le grille porte-casserole et en le remettant en place. Enlever d'abord le grille en la soulevant à deux mains.

---

---

## Protection de l'environnement

---

Déballer l'appareil et jeter l'emballage dans le respect de l'environnement.

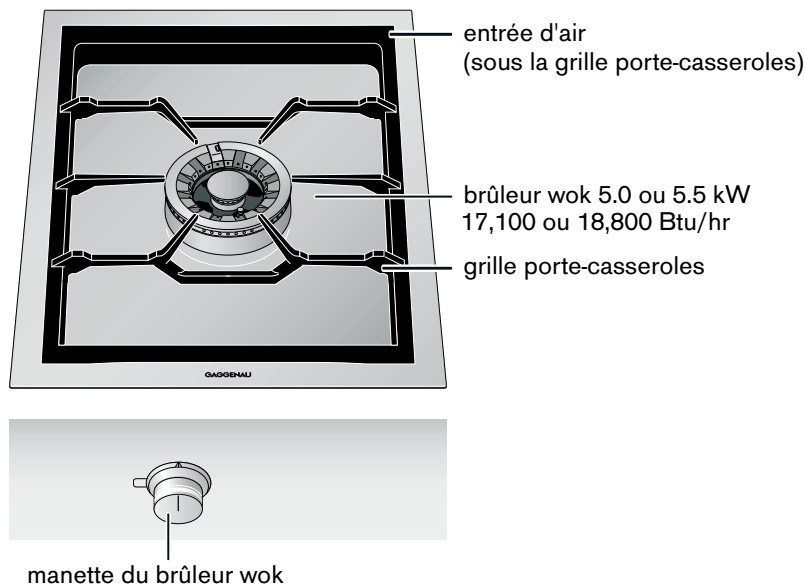
### Conseils d'économie d'énergie

- Utilisez des casseroles et poêles à fond plat. Les fonds irréguliers font augmenter la consommation d'énergie.
- Si vous avez de petites quantités à faire cuire, choisissez une petite casserole. Une grande casserole peu remplie consomme beaucoup d'énergie.
- Utilisez toujours un couvercle correspondant à la taille de l'ustensile de cuisson. La cuisson sans couvercle fait consommer quatre fois plus d'énergie.
- Faites cuire avec le minimum d'eau. Cela économise de l'énergie. Dans le cas des légumes, les vitamines et minéraux sont préservés.
- Abaissez à temps la puissance.

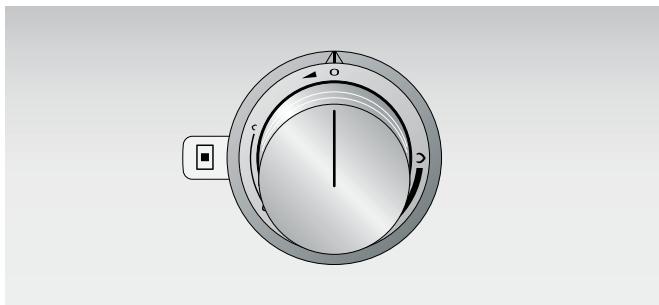
## Votre nouvel appareil

Faites connaissance avec votre nouvel appareil et ses accessoires.

### Table de cuisson à gaz



### Manettes de commande



Les marquages visibles sur la manette de commande indiquent la plage de réglage, de feu doux à plein feu. Le réglage s'effectue en continu.

### Accessoires spéciaux

Vous pouvez commander les accessoires suivants auprès de votre distributeur :

- AA 414 010 Déflecteur pour l'utilisation à côté d'appareils aérateur de plan de cuisson VL 414
- WP 400 001 Wok en matériau multicouche. Avec fond bombé et manche, Ø 36 cm, 6 litres, hauteur 10 cm.

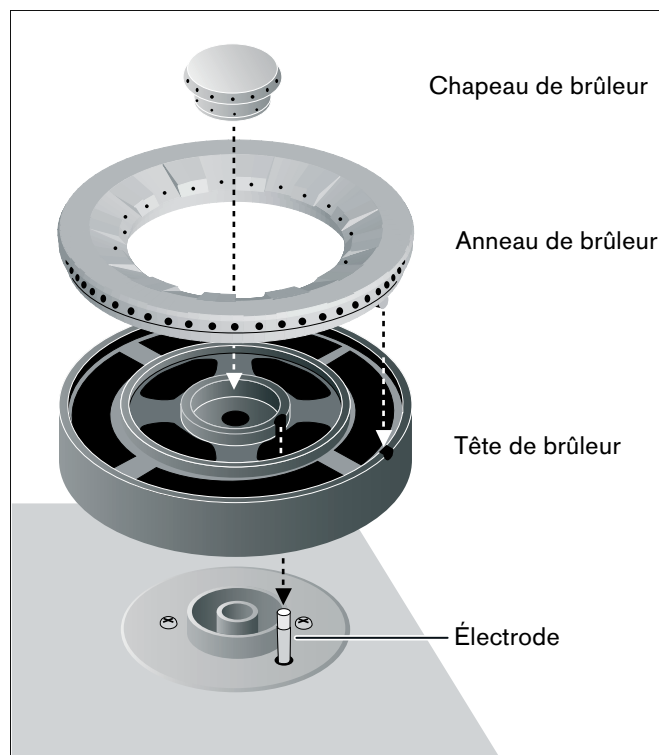
- SV 401 090 Rallonge axiale jusqu'à 140 mm
- SV 401 205 Rallonge axiale jusqu'à 300 mm
- VA 420 000 Réglette de jonction pour associer d'autres appareils Vario de la série 400 à montage en affleurement
- VA 420 001 Réglette de jonction pour associer d'autres appareils Vario de la série 400 à montage en affleurement, avec couvercle et réglette de rattrapage
- VA 420 010 Réglette de jonction pour associer d'autres appareils Vario de la série 400 à montage en saillie
- VA 420 011 Réglette de jonction pour associer d'autres appareils Vario de la série 400 à montage en saillie, avec couvercle et réglette de rattrapage
- VA 440 010 Couvercle en inox
- VA 450 400 Rallonge 38 cm (15 ")

Utilisez l'accessoire seulement de la manière indiquée. Le fabricant n'est pas responsable de l'utilisation non conforme des accessoires.

## Description du brûleur

Poser les éléments du brûleur bien à plat en les ajustant bien ; sinon, des dysfonctionnements peuvent se produire à l'allumage ou pendant le fonctionnement. Poser la tête du brûleur de façon que l'électrode soit dans l'évidement prévu à cet effet sur la tête. L'ergot de la bague doit s'encliqueter dans l'évidement prévu à cet effet sur la tête du brûleur.

### Description du brûleur à wok



## Utilisation

Les marquages visibles sur les manettes de commande vous indiquent la puissance de chauffe, de feu fort à petit feu. La puissance est réglable en continu.

### Remarques

- Avant d'allumer les foyers, assurez-vous que la grille porte-casseroles et tous les éléments des brûleurs soient bien en place.
- Les brûleurs et l'électrode doivent être propres et secs.
- Utilisez seulement les accessoires prescrits. Ne couvrez pas la table en inox (avec une feuille d'aluminium par exemple).
- Ne masquez pas les aérations qui se trouvent sous la grille porte-casseroles.

### ⚠ ATTENTION

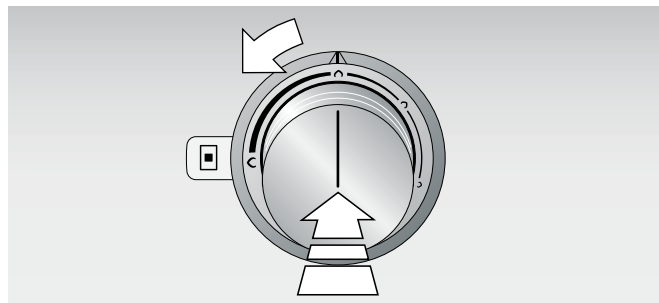
#### Détérioration de la hotte aspirante à cause de la chaleur

Allumez la hotte aspirante lorsque la table de cuisson est en marche. Lorsque vous utilisez plusieurs foyers en même temps, sélectionnez un niveau de puissance suffisamment élevé sur la hotte. Assurez-vous que l'aération offre un apport suffisant en air frais.

## Mise en marche

Votre table de cuisson à gaz dispose d'un allumage rapide automatique.

- 1 Placez un récipient de cuisson approprié sur le brûleur.
- 2 Appuyez sur la manette de commande et tournez-la vers la gauche jusqu'à la position voulue. Le brûleur s'allume automatiquement.



Tournez lentement la manette de commande pour régler la taille de la flamme en continu entre la position feu fort et la position feu doux.

#### Remarques

- Si vous placez des casseroles de grande taille sur les foyers, allumez d'abord à feu doux.
- À chaque allumage de la table de cuisson à gaz, l'électronique effectue un autotest. L'électrode produit des étincelles et le brûleur s'allume après quelques secondes.
- Au moment de l'allumage de la table de cuisson à gaz, l'électronique ouvre l'arrivée du gaz, ce qui provoque un bruit bref. Cela est normal.
- En cas de panne d'électricité, l'appareil ne peut pas fonctionner.

## Surveillance électronique de flamme et rallumage automatique

Pour votre sécurité, la table de cuisson est dotée d'une surveillance électronique de flamme. Si la flamme s'éteint (à cause d'un courant d'air par exemple), l'appareil rallume automatiquement le brûleur.

Si le rallumage échoue (par exemple parce que le brûleur est encrassé par des aliments qui ont débordé de la casserole), l'appareil ferme l'arrivée du gaz et un signal sonore retentit.

Mettez la manette en position 0. Attendez que l'appareil soit suffisamment refroidi, puis vérifiez si toutes les pièces du brûleur sont bien en place. Regardez aussi si le brûleur ou l'électrode ne sont pas encrassés (voir "Anomalies - que faire ?").

#### Si vous allumez à feu fort alors que l'appareil est froid :

Selon le type de gaz utilisé et la pression du gaz, il peut arriver que le brûleur s'allume et qu'il se coupe ensuite, bien qu'il y ait déjà une flamme. Tournez la manette de commande en position 0, puis jusqu'à la position "feu réduit". Attendez 30 à 60 secondes après l'allumage, jusqu'à ce que le brûleur soit chaud. Vous pouvez maintenant utiliser votre appareil de manière habituelle.

## Arrêt

Tournez la manette vers la droite jusqu'à la butée en position 0. L'électronique ferme l'arrivée du gaz.

---

### AVERTISSEMENT

---

#### Risque de brûlure

Lorsque le couvercle est fermé, il peut se produire une accumulation de chaleur. Ne fermez pas le couvercle avant le refroidissement de l'appareil. N'allumez jamais l'appareil lorsque le couvercle est fermé. N'utilisez pas le couvercle pour maintenir au chaud ou déposer des objets.

---

## Coupure de sécurité

Pour votre protection, l'appareil est équipé d'une coupure de sécurité. L'appareil s'éteint au bout de 6 heures si pendant ce laps de temps, aucune action n'a eu lieu.

De même, l'appareil reste éteint après une panne de courant. Un signal sonore continu se fait entendre.

Mettez le bouton sur 0, puis remettez l'appareil en marche comme d'habitude.

## Tableau de réglage et conseils

Gamme de réglage	Méthodes de cuisson	Exemples
Feu fort $\uparrow$	Porter à ébullition	Eau
	Faire revenir	Viandes
	Chauffer	Graisse, liquides
	Porter à ébullition	Soupes, sauces
De $\uparrow$ à $\uparrow$	Blanchir	Légumes
	Rôtir	Viande, poisson, pommes de terre
	Cuire	Pâtisseries, plats aux œufs
	Cuire à point	Quenelles, saucisses à pocher, viande pour potées
	Battre	Crèmes, sauces
	Poursuivre la cuisson	Soupes, pommes de terre
	Cuire à la vapeur	Légumes, poisson
	Cuire à l'étuvée	Légumes, fruits, poisson
	Mijoter	Goulache, rôtis, légumes
Petit feu $\uparrow$	Décongeler	Surgelés
	Faire gonfler	Riz, légumes secs
	Réchauffer	Soupes, potées, légumes en sauce

## Conseils pour la cuisson

Les valeurs du tableau de réglage sont indicatives, car selon la nature et l'état des mets ainsi que selon la taille et le degré remplissage du récipient de cuisson, il faut plus ou moins de chaleur.

La puissance élevée de la table permet de chauffer rapidement l'huile et les graisses. Ne laissez pas des mets à rôtir sans surveillance, la graisse peut s'enflammer et le mets peut brûler.

## Conseils en cas d'utilisation d'un wok

Nous conseillons d'utiliser un wok à fond bombé. Vous pouvez commander en accessoire un wok de très bonne qualité (WP 400 001).

Pour la cuisson au wok, utilisez seulement de l'huile alimentaire à résistance élevée à la température, par exemple de l'huile de noix.

Faites cuire les ingrédients à température élevée, pas trop longtemps, en remuant en permanence. Les légumes doivent rester croquants.

Pour remuer et sortir les mets, utilisez de préférence une louche plate à long manche en matériau résistant à la chaleur.

## Conseils concernant les récipients de cuisson

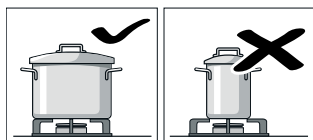
Les conseils suivants vous aideront à économiser l'énergie et à maintenir vos récipients de cuisson en bon état.

### Récipients de cuisson adaptés

Brûleur	Diamètre recommandé des fonds de casseroles	Diamètre minimal des fonds de casseroles
Brûleur à wok	240 - 320 mm	160 mm

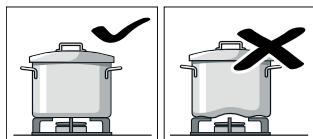
Ne pas utiliser de casseroles d'un diamètre inférieur à 160 mm ou supérieur à 320 mm. En cas d'utilisation de casseroles de grande dimension, il ne faut pas qu'elles dépassent de l'appareil dans le sens de la largeur.

### Conseils d'utilisation



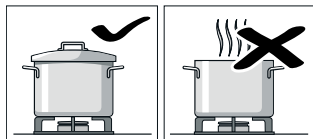
Utilisez des récipients de cuisson dont la taille est adaptée au brûleur.

N'utilisez pas de petits récipients de cuisson sur les grands brûleurs. La flamme ne doit pas remonter sur les côtés des récipients de cuisson.

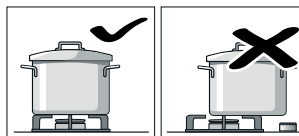


N'utilisez pas de récipients de cuisson déformés qui ne reposent pas bien à plat sur la table de cuisson. Les récipients peuvent basculer.

Utilisez seulement des récipients de cuisson à fond plat et épais.

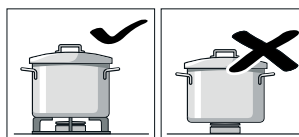


Ne faites pas cuire sans couvercle ou avec le couvercle mal positionné. Cela entraîne un important gaspillage d'énergie.



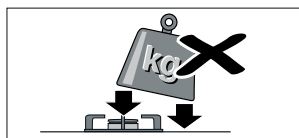
Centrez bien le récipient de cuisson au-dessus du brûleur, sinon il risque de basculer.

Ne placez pas de grandes casseroles sur les brûleurs situés près des commandes, ces dernières pourraient surchauffer et être endommagées.



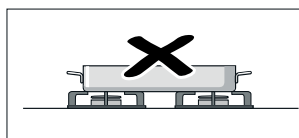
Posez les casseroles sur les grilles porte-casseroles, jamais directement sur les brûleurs.

Avant utilisation, assurez-vous que les grilles porte-casseroles et les chapeaux des brûleurs à gaz sont bien en place.



Manipulez avec précaution les récipients se trouvant sur la table de cuisson.

Ne donnez pas de coups sur la table de cuisson et n'y posez pas d'objets lourds.



Ne faites jamais chauffer un récipient de cuisson (cocotte, poêle, pierre à griller) avec plusieurs brûleurs, car il en résulterait une accumulation de chaleur qui endommagerait l'appareil.

---

## Entretien et nettoyage

---

Dans ce chapitre, vous trouverez des conseils et astuces pour bien entretenir et nettoyer votre table de cuisson.

---

### AVERTISSEMENT

---

#### Risque de choc électrique

La pénétration d'humidité peut provoquer un choc électrique. Ne pas utiliser de nettoyeur à haute pression ou à vapeur.

---

---

### AVERTISSEMENT

---

#### Risque de brûlure

Les parties accessibles chauffent lorsque la table est allumée. Ne touchez jamais aux parties très chaudes. Tenez les enfants à distance.

---

---

### ATTENTION

---

#### Endommagement des surfaces

N'utilisez pas ces produits nettoyants

- Produits agressifs ou abrasifs
  - Nettoyant pour four
  - Nettoyants corrosifs, chlorés ou agressifs
  - Nettoyants très alcoolisés
  - Éponges à vaisselle dures, abrasives, brosses ou tampons à récurer

Lorsqu'un produit de ce type tombe sur l'appareil, essuyez-le tout de suite à l'eau.

Rincez toujours soigneusement les éponges et lavettes neuves avant de les utiliser.

---

---

### ATTENTION

---

Ne pas rayer la table de cuisson en enlevant la grille porte-casserole et en le remettant en place. Enlever d'abord le grille en la soulevant à deux mains.

---

## Nettoyage de l'appareil

Nettoyez l'appareil après chaque utilisation, une fois qu'il ait refroidi. Éliminez sans attendre les liquides qui ont débordé, ne laissez pas brûler les résidus alimentaires.

Faites en sorte que les aérations situées sous la grille porte-casserole restent propres. Il ne faut pas masquer ces aérations.

Après le nettoyage, séchez soigneusement les brûleurs. Mettez l'appareil en marche seulement lorsque les brûleurs sont secs. Si les brûleurs sont encore humides, l'allumage risque d'être perturbé et les flammes d'être instables.

Lors de l'assemblage, assurez-vous que les éléments des brûleurs sont bien en place (ergots) : toutes les pièces doivent reposer à plat.

---

Partie de l'appareil/surface	Nettoyage recommandé
Surfaces en inox	Eau de vaisselle – séchez avec un chiffon doux. Utilisez seulement un peu d'eau pour le nettoyage, il ne faut pas que de l'eau puisse pénétrer dans l'appareil.  Mouillez les endroits brûlés avec un peu d'eau et de produit à vaisselle pour les ramollir, ne frottez pas pour les éliminer.  Utilisez notre nettoyant à inox pour éliminer les salissures tenaces ou bien le jaunissement provoqué par la chaleur (référence 311413).
Grille porte-casserole	Pour nettoyer la grille, enlevez-la avec précaution. Faites-la tremper dans l'évier. Nettoyez à la brosse et au produit à vaisselle.  Au niveau des tampons en caoutchouc, nettoyez avec précaution afin de ne pas les décoller.  Rincez à l'eau claire et séchez avant de remettre en place.  <b>Ne nettoyez jamais au lave-vaisselle !</b>
Pièces de brûleur (laiton)	Eau de vaisselle – séchez avec un chiffon doux. Veillez à ce que les orifices ne soient pas bouchés.  Faites bien attention à ne pas perdre de petites pièces.  <b>Ne nettoyez jamais au lave-vaisselle !</b>
Manettes de commande	Eau de vaisselle – il ne faut pas que le chiffon soit trop humide. Séchez avec un chiffon doux.

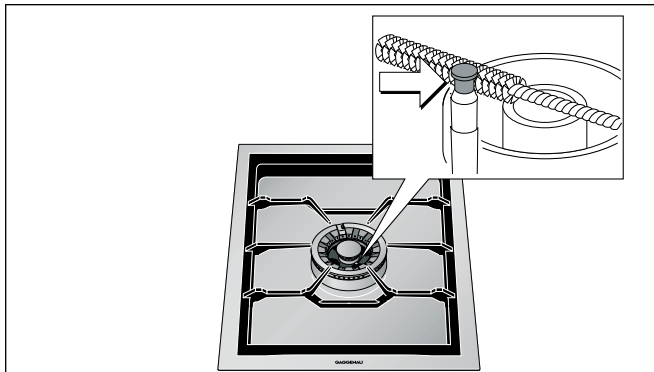
---



## Nettoyage de l'électrode

L'encrassement de l'électrode peut provoquer des incidents d'allumage ou de surveillance de flamme.

Si nécessaire, nettoyez-la avec la brosse fournie. L'électrode est fragile, nettoyez-la avec précaution, ne la tordez pas et ne l'endommagez pas. **Pendant le nettoyage, n'allumez pas la table de cuisson.**



## Salissures brûlées

Pour enlever les salissures brûlées difficiles à éliminer, vous pouvez commander auprès de votre distributeur spécialisé ou de notre service après-vente un gel de nettoyage pour grils (référence 463582). Il convient pour les grilles porte-casserolles, les pièces des brûleurs et la table en inox. Si nécessaire, laissez le produit agir pendant la nuit. Respectez les instructions figurant sur le produit nettoyant.

## Décoloration des brûleurs

Après une utilisation prolongée, les éléments des brûleurs en laiton s'oxydent naturellement, devenant plus foncés. Ce changement de couleur n'a aucun effet sur la fonctionnalité de l'appareil. Pour faire disparaître cette coloration, procédez de la manière suivante :

- 1 Préparez une solution composée de parts égales de vinaigre blanc à 8% d'acide maximum (vinaigre alimentaire courant) et d'eau chaude.
- 2 Plongez les éléments décolorés des brûleurs dans la solution pendant 10 minutes au maximum. Éliminez les taches tenaces avec un chiffon ou une éponge.
- 3 Rincez ensuite soigneusement les éléments des brûleurs à l'eau claire et séchez-les bien avant de les réutiliser.



### ATTENTION

La surface des pièces peut être endommagée si la solution est trop concentrée ou si les éléments restent trop longtemps en contact avec le vinaigre !

---

## Anomalies – que faire ?

Dans de nombreux cas, vous pourrez remédier vous-même facilement aux anomalies. Avant de contacter le service après-vente, veuillez vérifier les points suivants :



### AVERTISSEMENT

#### Risque de choc électrique

Les réparations non-conformes sont source de danger. Les réparations doivent être faites exclusivement par un technicien après-vente formé par nos soins. Si l'appareil est défectueux, débranchez la fiche d'alimentation secteur ou désactivez le coupe-circuit concerné sur le tableau électrique. Appelez le service après-vente.

Anomalie	Cause	Remède
Le brûleur ne s'allume pas à la mise en marche.	Pas d'alimentation électrique.	Mettez toutes les manettes à 0. Vérifier sur le tableau électrique si le coupe-circuit a réagi.
Le brûleur ne s'allume pas à la mise en marche, un signal sonore retentit.	Anomalie du brûleur ou de l'alimentation en gaz.	Mettez toutes les manettes à 0. <b>Contrôlez :</b> <ul style="list-style-type: none"> <li>● les éléments du brûleur sont-ils bien en place ?</li> <li>● le robinet d'arrivée du gaz est-il ouvert ?</li> <li>● le brûleur est-il bien sec et bien propre ?</li> <li>● air dans le tuyau après le premier branchement ou un changement de bouteille (gaz liquéfié) ?</li> <li>● bouteille de gaz vide (gaz liquéfié) ?</li> </ul>
Le brûleur se coupe pendant le fonctionnement, un signal sonore retentit.	Anomalie du brûleur ou de l'alimentation en gaz.	Mettez toutes les manettes à 0. <b>Attendez que l'appareil ait refroidi !</b> <b>Contrôlez :</b> <ul style="list-style-type: none"> <li>● les éléments du brûleur sont-ils bien en place ?</li> <li>● électrode encrassée (résidus alimentaires) ou humide ?</li> <li>● brûleur encrassé par des aliments ayant débordé ?</li> <li>● fort courant d'air (exemple : fenêtre ouverte juste derrière la table de cuisson à gaz) ?</li> <li>● bouteille de gaz vide (gaz liquéfié) ?</li> </ul>
Le brûleur se coupe pendant le fonctionnement, un signal sonore continue à retentir bien que toutes les manettes aient été ramenées à 0.	Protection contre la surchauffe	Mettez toutes les manettes à 0. Attendez que l'appareil ait refroidi et que le signal sonore se soit arrêté.
Le brûleur se coupe en cours de fonctionnement.	Panne d'électricité	Mettez toutes les manettes à 0. Contrôlez l'alimentation électrique. Après une panne d'électricité, le réallumage n'est pas automatique.
La manette a été remise à 0. L'appareil essaie de se rallumer, un signal sonore retentit.	Défaut technique	Appeler le service après-vente Gaggenau.
Les brûleurs se coupent en cours de fonctionnement. Un signal sonore retentit.	Coupure de sécurité n'a été faite pendant 6 heures.	Aucune action Ramener la manette en position 0, puis remettre en marche si nécessaire.
Une odeur de gaz se fait sentir dans la cuisine.	Recherchez la fuite éventuelle sur le raccord de la bouteille de gaz.	Vérifiez l'étanchéité du raccord de la bouteille de gaz.
Pendant le fonctionnement, les coins de l'appareil se bombent légèrement vers le haut.	La chaleur provoque la dilatation du métal de la table de cuisson.	Cela est normal. À froid, aucun bombement n'est plus visible.

---

## Service après-vente

---

Si votre appareil doit être réparé, notre service après-vente est à votre disposition. Nous trouvons toujours une solution adaptée, y compris pour éviter les visites inutiles de techniciens.

Lors de votre appel, indiquez le numéro du produit (n° E) et le numéro de série (n° FD) afin que nous puissions vous donner une réponse précise. La plaquette d'identification comportant ces numéros se trouve sur le dessous de l'appareil. Pour ne pas avoir à chercher longtemps en cas de besoin, vous pouvez inscrire ici les références de l'appareil et le numéro de téléphone du service après-vente.

---

N° E

N° FD

---

---

**Service après-vente** 

---

N'oubliez pas qu'en cas de fausse manœuvre, la visite d'un technicien d'après-vente n'est pas gratuite, même pendant la garantie.

Vous trouverez les données de contact pour tous les pays dans l'annuaire ci-joint du service après-vente.

### **Demande de réparation et conseils en cas de dysfonctionnement**

CA 800 828 9165

Faites confiance à la compétence du fabricant. Ainsi vous êtes assurés que la réparation sera effectuée par des techniciens formés qui possèdent les pièces de rechange d'origine pour votre appareil.

---

## Contenido

---

---

<b>Palabras indicadoras para seguridad y mejor uso</b>	<b>37</b>
--	-----------

---

### **INSTRUCCIONES DE SEGURIDAD IMPORTANTES 38**

---

Seguridad para evitar incendios	39
Seguridad con el gas	39
Prevención de quemaduras	40
Seguridad de los niños	41
Seguridad en la limpieza	41
Seguridad en los utensilios de cocina	42
Instalación y mantenimiento adecuados	42

---

### **Causas para los daños 43**

---

### **Protección medioambiental 43**

---

Consejos para ahorrar energía	43
-------------------------------	----

---

### **Su aparato nuevo 44**

---

Estufa de gas	44
Perilla de mando	44
Accesorios especiales	44
Montaje del quemador	45

---

### **Ajustar el nivel de cocción 45**

---

Conectar	45
Monitoreo electrónico de la llama y reencendido automático	46
Apagar	46
Desconexión de seguridad	46

---

### **Tabla de ajuste y consejos 47**

---

Consejos para cocer y asar	47
Consejos acerca del Wok	47

---

### **Indicaciones sobre las cazuelas 47**

---

Ollas de adecuadas para cocer	47
Instrucciones de uso	47

---

### **Cuidado y limpieza 48**

---

Limpieza del equipo	48
Limpieza de electrodos	49
Suciedad quemada y pegada	49
Coloración de los quemadores	49

---

### **¿Qué hacer en caso de fallas? 50**

---

### **Servicio de atención al cliente 51**

---

Encontrará más información sobre productos, accesorios, piezas de repuesto y servicios en internet: [www.gaggenau.com](http://www.gaggenau.com) y también en la tienda online: [www.gaggenau-eshop.com](http://www.gaggenau-eshop.com)

---

## Palabras indicadoras para seguridad y mejor uso

---

---

### AVISO

---

Esto indica que se pueden producir lesiones graves o la muerte si no se cumple con esta advertencia.

---

---

### ATENCION

---

Esto indica que pueden producirse lesiones leves o moderadas si no se cumple con esta advertencia.

---

**AVISO:** esto indica que puede producirse un daño al electrodoméstico o a la propiedad como resultado de la falta de cumplimiento de este aviso.

**Nota:** Esto lo alerta sobre información y/o consejos importantes.



# INSTRUCCIONES DE SEGURIDAD IMPORTANTES

LEA Y CONSERVE ESTAS INSTRUCCIONES



## ADVERTENCIA:

Si no sigue la información de este manual exactamente, se puede ocasionar un incendio o una explosión que pueden causar daños materiales, lesiones personales o la muerte.

No almacene ni utilice materiales combustibles, gasolina u otros vapores inflamables ni líquidos en la cercanía de

este o de cualquier otro electrodoméstico.

### QUÉ HACER SI SIENTE OLOR A GAS:

- No intente encender ningún electrodoméstico.
- No toque ningún interruptor eléctrico.
- No utilice ningún teléfono que se encuentre en su edificio.
- Llame a su proveedor de gas de inmediato desde el teléfono de un vecino. Siga las instrucciones del proveedor de gas.
- Si no puede comunicarse con su proveedor de gas, llame al departamento de bomberos.

La instalación y el servicio técnico deben ser realizados por un instalador calificado, una agencia de servicio técnico autorizada o por el proveedor de gas.



# INSTRUCCIONES DE SEGURIDAD IMPORTANTES

## LEA Y CONSERVE ESTAS INSTRUCCIONES

### Seguridad para evitar incendios

Conserve estas instrucciones.

Programe el control de la hornilla, de manera que la llama no se extienda fuera de la base de la olla.

No deje que papel de aluminio, plástico, papel ni tela entren en contacto con un elemento de la superficie, una hornilla o una rejilla calientes. No deje ollas hirviendo sin líquido.

Si la placa está cerca de una ventana, una ventilación o un ventilador de aire forzado, asegúrese de que los materiales inflamables, como los elementos utilizados para cubrir una ventana, no se aproximen a las hornillas o a los elementos ni se extiendan sobre estos. Podrían prenderse fuego.

Siempre tenga un detector de humo en funcionamiento cerca de la cocina.

Nunca deje la placa sin vigilancia cuando esté en uso. Los derrames por hervor causan humo y las salpicaduras grasosas pueden prenderse fuego.

---

#### AVISO

##### PARA REDUCIR EL RIESGO DE INCENDIO OCASIONADO POR GRASA:

- a) Nunca deje las unidades de la superficie sin vigilancia a valores altos. Los derrames por hervor causan humo y salpicaduras grasosas que pueden prenderse fuego. Caliente los aceites despacio, a valores bajos o medianos.
- b) Siempre encienda la campana al cocinar a un valor de calor alto o al flambear alimentos (p. ej., Crepas Suzette, cerezas Jubilee, carne flambeada con granos de pimienta).
- c) Limpie los ventiladores extractores con frecuencia. No se debe permitir la acumulación de grasa en los ventiladores ni en los filtros.
- d) Use el tamaño adecuado de olla. Siempre use utensilios de cocina apropiados para el tamaño del elemento de la superficie.

---

En el caso de que su ropa se prenda fuego, arrójese al piso y ruede de inmediato para extinguir las llamas.

Sofoque las llamas provocadas por alimentos que se prenden fuego, que no sean incendios ocasionados por grasa, con bicarbonato de sodio. Nunca use agua en incendios ocasionados al cocinar.

Tenga cuidado de que las corrientes de aire como las que producen los ventiladores o las ventilaciones de aire forzado no empujen las llamas de manera que se extiendan fuera de los bordes de la olla.

Tenga un extinguidor de incendio disponible, cerca, en un área fácilmente visible y accesible, cerca del electrodoméstico.

---

#### AVISO

##### PARA REDUCIR EL RIESGO DE LESIONES A PERSONAS EN CASO DE INCENDIO OCASIONADO POR GRASA, SIGA ESTAS INDICACIONES:

- a) **SOFOQUE LAS LLAMAS** con una tapa que ajuste correctamente, una placa para galletas u otra bandeja de metal, luego, apague el electrodoméstico. **ASEGÚRESE DE PREVENIR LAS QUEMADURAS.** Si las llamas no se apagan de inmediato, **EVACUE EL ÁREA Y LLAME AL DEPARTAMENTO DE BOMBEROS.**
- b) **NUNCA LEVANTE UNA OLLA EN LLAMAS.** Puede quemarse.
- c) **NO USE AGUA**, ni repasadores o toallas húmedos. Puede ocasionar una violenta explosión por vapor.
- d) Use un extinguidor sólo si:
  - Sabe que tiene un extinguidor CLASE ABC y ya sabe cómo usarlo.
  - El incendio es pequeño y se limita al área donde se originó.
  - Alguien llamó al departamento de bomberos.
  - Puede combatir el incendio de espaldas a una salida.

---

Si es posible, no ponga el sistema de ventilación en funcionamiento si hay un incendio en la placa. Pero no atraviese el fuego con la mano para apagarla.

### Seguridad con el gas

Para prevenir la acumulación de monóxido de carbono, no bloquee los orificios de ventilación del electrodoméstico.

Haga que el instalador le muestre dónde está ubicada la válvula de paso de gas.

Para un funcionamiento adecuado de la hornilla, mantenga los encendedores limpios y secos.

Si se apaga una hornilla y se escapa gas, abra las ventanas y las puertas. Espere hasta que el gas se disipe antes de utilizar el electrodoméstico.



# INSTRUCCIONES DE SEGURIDAD IMPORTANTES

## LEA Y CONSERVE ESTAS INSTRUCCIONES

**ADVERTENCIA DE SEGURIDAD IMPORTANTE:** La combustión de gas como combustible para cocinar genera algunos subproductos que se encuentran en la lista de sustancias que el estado de California sabe causan cáncer o daños reproductivos. Para minimizar la exposición a estas sustancias, siempre haga funcionar esta unidad según las instrucciones que contiene este manual y permita una buena ventilación.

---

### AVISO

Todos los encendedores producen chispas cuando se enciende cualquiera de las hornillas. No toque ninguna de las hornillas cuando la placa está en uso.

Si siente olor a gas, su instalador no ha verificado adecuadamente que no haya fugas. Si las conexiones no se encuentran perfectamente apretadas, puede haber una pequeña fuga y, por lo tanto, un olor leve. Encontrar una fuga de gas no es un procedimiento "para que realice usted solo". Algunas fugas sólo pueden detectarse con el control de la hornilla en la posición ON (Encendido) y esto debe realizarlo un técnico de servicio calificado. Vea Advertencia, página 1.

---

### AVISO

Para prevenir llamaradas, todas las rejillas deben estar bien ubicadas en la placa cuando la placa está en uso. Cada una de las patas debe estar colocada en los hoyuelos correspondientes de la placa. No utilice una rejilla si faltan las patas de hule o están dañadas.

Mantenga los agujeros del encendedor limpios, a fin de asegurar que las hornillas se enciendan de manera adecuada. Es necesario limpiarlos cuando se produce un derrame por hervor o cuando la hornilla no enciende aunque los encendedores eléctricos hacen clic.

---

### AVISO

Para prevenir llamaradas, no utilice la placa sin todas las tapas de la hornilla y con todas las rejillas de la hornilla bien ubicadas.

---

### AVISO

No limpie ni toque ninguna hornilla cuando se esté usando una hornilla con un valor de calor extrabajo (si viene incorporada). Cuando la hornilla con un valor de calor extrabajo vuelva a prenderse fuego automáticamente, el encendedor que se encuentra en la hornilla producirá chispas.

---

### AVISO

Utilice este electrodoméstico sólo para su uso previsto, según se describe en este manual. **NUNCA** utilice este electrodoméstico como calentador de ambiente para calentar o calefaccionar la habitación. Hacerlo puede ocasionar intoxicación por monóxido de carbono y calentamiento excesivo del electrodoméstico. Nunca utilice el electrodoméstico para almacenar objetos.

---

### AVISO

**NUNCA** cubra ranuras, orificios ni conductos en la parte inferior del horno ni cubra toda una rejilla con materiales como papel de aluminio. Al hacerlo, se bloquea el flujo de aire a través del horno y esto podría causar intoxicación por monóxido de carbono. Los revestimientos de papel de aluminio también pueden atrapar el calor y causar un peligro de incendio.

## Prevención de quemaduras

**NO TOQUE LAS UNIDADES DE LAS SUPERFICIES NI LAS ÁREAS CERCANAS A LAS UNIDADES.** Las unidades de la superficie pueden estar calientes, aunque su color sea oscuro. Las áreas cercanas a las unidades de la superficie pueden calentarse lo suficiente como para ocasionar quemaduras. Durante el uso y con posterioridad, no toque las unidades de la superficie o áreas cercanas a las unidades, ni deje que su ropa, agarradores ni otros materiales inflamables entren en contacto con estos hasta que haya transcurrido el tiempo suficiente para que se enfríen. Entre estas áreas, se encuentran la placa y las áreas que miran hacia la placa.





# INSTRUCCIONES DE SEGURIDAD IMPORTANTES

## LEA Y CONSERVE ESTAS INSTRUCCIONES

---

### AVISO

---

#### **Peligro de quemaduras**

No cierre la cubierta del aparato hasta que este se haya enfriado. No ponga nunca el aparato en marcha con la cubierta cerrada. No utilice la cubierta del aparato como superficie para depositar enseres o como superficie de mantenimiento de calor.

---

No caliente recipientes de alimentos sin abrir. La acumulación de presión puede hacer explotar el recipiente y causar lesiones.

Siempre encienda la campana al cocinar a un valor de calor alto o al flambear alimentos (p. ej., Crepas Suzette, cerezas Jubilee, carne flambeada con granos de pimienta).

Use valores de calor altos en la placa sólo cuando sea necesario. Para evitar burbujas y salpicaduras, caliente el aceite despacio, a un valor bajo-mediano, como máximo. El aceite caliente puede provocar quemaduras y lesiones de extrema gravedad.

Nunca mueva un recipiente con aceite caliente, especialmente una freidora. Espere hasta que se haya enfriado.

Sujétese todas las prendas, etc. antes de comenzar. Sujétese el cabello largo de manera que no quede suelto, y no use prendas holgadas o sueltas, como corbatas, bufandas, joyas o mangas amplias.

### **Seguridad de los niños**

Cuando los niños tienen la edad adecuada para utilizar el electrodoméstico, es responsabilidad legal de los padres o tutores legales asegurarse de que reciban las instrucciones sobre prácticas seguras por parte de personas calificadas.

No deje que nadie se suba, pare, incline, sienta o cuelgue de cualquier parte de un electrodoméstico, especialmente una puerta, cajón calentador o cajón para almacenamiento. Esto puede dañar el electrodoméstico, y la unidad puede caerse y, posiblemente, causar lesiones graves.

No permita que niños utilicen este electrodoméstico, a menos que sean supervisados de cerca por un adulto. Los niños y las mascotas no deben quedar solos o sin vigilancia en el área donde se utilice el electrodoméstico. Nunca se les debe permitir jugar cerca del electrodoméstico, independientemente de que esté en funcionamiento o no.

---

### ATENCIÓN

---

Los objetos de interés para niños no deben almacenarse en un electrodoméstico, en gabinetes sobre un electrodoméstico ni en la placa antisalpicaduras. Si los niños se suben a un electrodoméstico para alcanzar estos objetos, podrían sufrir lesiones graves.

---

### **Seguridad en la limpieza**

**ADVERTENCIA DE SEGURIDAD IMPORTANTE:** la Ley de Aplicación de Reglamentación sobre Agua Potable Segura y Sustancias Tóxicas de California (California Safe Drinking Water and Toxic Enforcement Act) exige al Gobernador de California publicar una lista de sustancias que el estado sabe causan cáncer, defectos congénitos u otros daños reproductivos, y exige a las empresas advertir a los clientes de la posible exposición a dichas sustancias. La combustión de gas como combustible para cocinar y la eliminación de residuos durante el proceso de autolimpieza pueden generar algunos subproductos que se encuentran en la lista. Para minimizar la exposición a estas sustancias, siempre haga funcionar esta unidad según las instrucciones que contiene este manual y permita una buena ventilación.

---

### AVISO

---

La combustión de gas como combustible para cocinar puede generar pequeñas cantidades de monóxido de carbono, benceno, formaldehído y hollín. Para minimizar la exposición a estas sustancias, las hornillas deben ser ajustadas por un instalador o una agencia certificados, a fin de asegurar la combustión adecuada. Asegure una ventilación adecuada con una ventana abierta o utilice un ventilador o una campana de ventilación al cocinar con gas. Siempre haga funcionar la unidad según las instrucciones de este manual.

---

No bloquee la(s) ventilación (ventilaciones) del horno durante el ciclo de autolimpieza. Siempre haga funcionar la unidad según las instrucciones de este manual.

Después de un derrame o derrame por hervor, apague la hornilla y deje que la placa se enfríe. Limpie alrededor de la hornilla y de los agujeros de la hornilla. Después de limpiar, verifique que funcione de manera adecuada.



# INSTRUCCIONES DE SEGURIDAD IMPORTANTES

## LEA Y CONSERVE ESTAS INSTRUCCIONES

### Seguridad en los utensilios de cocina

Sostenga el mango de la olla cuando revuelva o dé vuelta los alimentos. Esto ayuda a evitar salpicaduras y a prevenir el movimiento de la olla.

Utilice el tamaño de olla adecuado.

El uso de utensilios de cocina más pequeños deja expuesta al contacto directo una parte del elemento de calentamiento o de la hornilla, y puede ocasionar la ignición de la ropa. Seleccione utensilios de cocina con bases planas y lo suficientemente grandes para que cubran la unidad de calentamiento de la superficie. Este electrodoméstico está equipado con una o más unidades de superficie de diferente tamaño. La proporción correcta del utensilio de cocina con respecto al elemento de calentamiento o la hornilla también aumenta la eficiencia.

Siempre coloque los mangos de los utensilios hacia adentro, de manera que no se extiendan sobre las áreas de trabajo adyacentes ni sobre el borde de la placa. Esto reduce el riesgo de incendios, derrames y quemaduras.

Ajuste el tamaño de la llama de la hornilla, de manera que no se extienda fuera del borde de los utensilios de cocina. La proporción correcta del utensilio de cocina con respecto a la llama de la hornilla reduce los riesgos de seguridad.

### Instalación y mantenimiento adecuados

Pídale al instalador que le muestre la ubicación del disyuntor o el fusible. Márquela para recordarla más fácilmente.

Este electrodoméstico debe ser correctamente instalado y conectado a tierra por un técnico calificado. Conéctelo sólo a una toma de corriente eléctrica correctamente conectada a tierra. Para obtener más información, consulte las Instrucciones de instalación.

Este electrodoméstico ha sido diseñado para uso doméstico normal únicamente. No está aprobado para uso en exteriores. Consulte la garantía. Si tiene alguna pregunta, comuníquese con el fabricante.

No almacene ni utilice productos químicos corrosivos, vapores, materiales inflamables ni productos no alimenticios dentro de este electrodoméstico ni cerca de él. Está específicamente diseñado para calentar o cocinar alimentos. El uso de productos químicos corrosivos al calentar o limpiar dañará el electrodoméstico y podría causar lesiones.

---

#### AVISO

---

No hacer funcionar bien las perillas puede ocasionar lesiones personales y daños al electrodoméstico.

---

Este aparato no está previsto para el funcionamiento con un reloj conmutador horario o un mando a distancia externo.

No utilice este electrodoméstico si no funciona correctamente o si ha sido dañado. Comuníquese con un centro de servicio técnico autorizado.

No repare ni cambie ninguna parte del electrodoméstico, a menos que se recomiende específicamente en este manual. Remita todas las reparaciones a un centro de servicio técnico autorizado por la fábrica.

Para evitar un peligro de descarga eléctrica, antes de reparar el electrodoméstico, apague la alimentación eléctrica en el panel de servicio y trabe el panel para impedir que se encienda accidentalmente.

---

## Causas para los daños

---

---

### ATENCION

---

#### **Daños por calor en los equipo o muebles cercanos.**

Si el equipo se usa por mucho tiempo, se producen calor y humedad. Se requiere una ventilación adicional. Abra las ventanas o coloque una campana de extracción que salga al exterior.

---

---

### ATENCION

---

#### **Daños en el equipo por acumulación de calor.**

No caliente al mismo tiempo con varios quemadores los asadores, sartenes o las piedras de asar.

---

---

### ATENCION

---

#### **Fallas en el funcionamiento**

Siempre coloque la perilla de mando en cero cuando no se esté usando el equipo.

---

---

### ATENCION

---

No raye la estufa cuando quite y ponga los soportes de ollas. Levante el soporte de olla hacia arriba con ambas manos .

---

---

## Protección medioambiental

---

Saque el equipo de su empaque y elimine éste de forma ecológica.

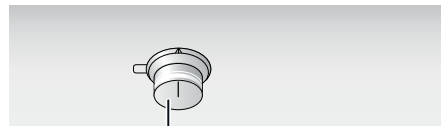
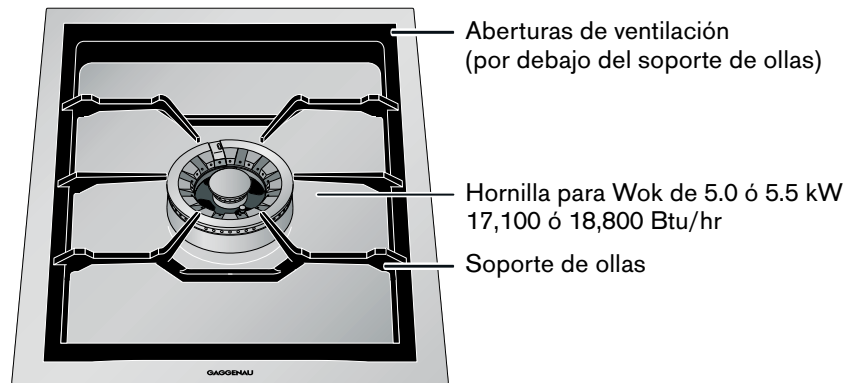
### Consejos para ahorrar energía

- Utilice ollas y sartenes con el fondo plano. Los fondos desiguales aumentan el consumo de energía.
- Utilice ollas pequeñas para cocinar cantidades reducidas. Una olla más grande de lo necesaria y medio vacía consume mucha energía.
- Tape las ollas siempre con una tapa adecuada. La cocción sin tapa consume cuatro veces más energía.
- Cocine con poca agua. De esta manera ahorrará energía. Las verduras conservarán sus vitaminas y minerales.
- Reduzca el nivel de potencia en el momento correcto.

## Su aparato nuevo

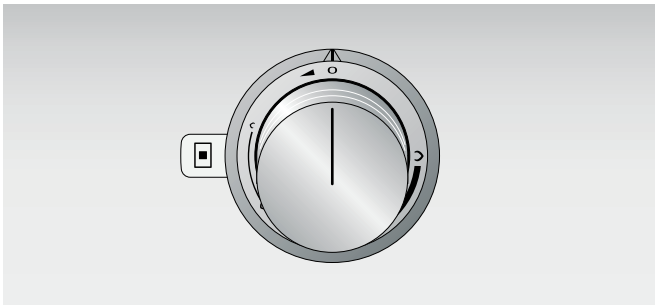
Aquí aprende a familiarizarse con su aparato nuevo además de obtener información acerca del accesorio.

## Estufa de gas



Perilla de mando de la hornilla para Wok

## Perilla de mando



Las marcas de la perilla de mando muestran el nivel de ajuste, desde el fuego bajo hasta el fuego alto. El ajuste se realiza en progresión continua.

## Accesorios especiales

En su comerciante especializado, puede adquirir el accesorio indicado a continuación:

- AA 414 010 Guía conductora de aire, para usarse junto al extractor de superficie VL 414
- WP 400 001 Sartén Wok de material multicapa. Con fondo abombado y mango, Ø 36 cm, 6 Litros, Altura 10 cm.

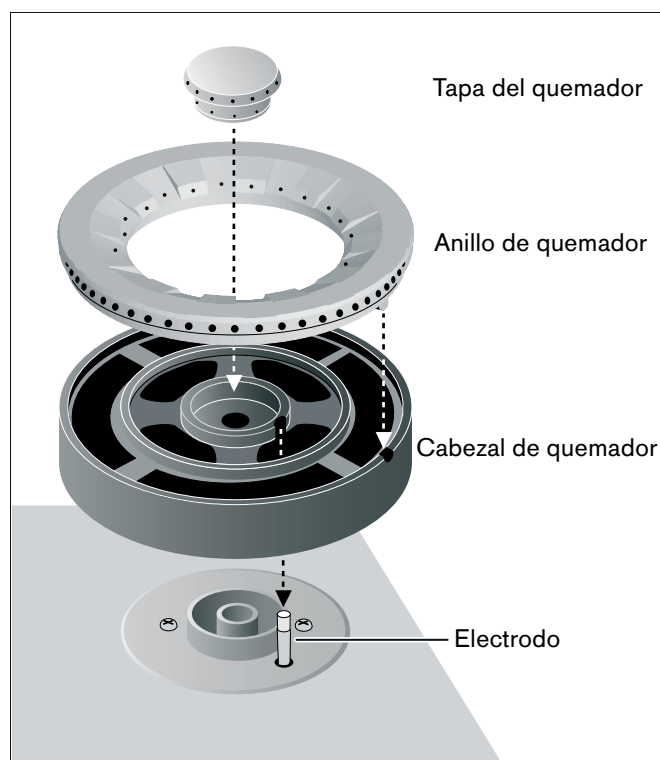
- SV 401 090 Extensión del eje de hasta 140 mm
- SV 401 205 Extensión del eje de hasta 300 mm
- VA 420 000 Barra de conexión para combinar con otros equipos Vario de la serie 400 al instalarlos uno al lado del otro con superficie corrida
- VA 420 001 Barra de conexión para combinar con otros equipos Vario de la serie 400 al instalarlos uno al lado del otro con cubierta de equipo/barra de compensación
- VA 420 010 Barra de conexión para combinar con otros equipos Vario de la serie 400 al instalarlos de forma superpuesta
- VA 420 011 Barra de conexión para combinar con otros equipos Vario de la serie 400 al instalarlos de forma superpuesta con cubierta de equipo/barra de compensación
- VA 440 010 Cubierta de acero inoxidable del aparato
- VA 450 400 Prolongación del aparato 15 " (38 cm)

Utilice el accesorio tal como se ha prescrito. El fabricante no se hace responsable por un uso incorrecto.

## Montaje del quemador

Monte las partes de los quemadores de manera exacta y recta, de otra manera pueden producirse fallas en la ignición o durante el funcionamiento. Coloque la cabeza del quemador de tal manera que el electrodo esté posicionado en la ranura correspondiente al lado de la cabeza del quemador. La protuberancia del anillo del quemador tiene que encajar en la ranura correspondiente de la cabeza del quemador.

### Armado de la hornilla para Wok



## Ajustar el nivel de cocción

Las marcas de la perilla de mando le muestran la potencia, desde calor máximo hasta mínimo. La potencia se puede regular en progresión continua.

### Notas

- Solamente prenda las hornillas cuando el soporte de ollas y todas las partes de los quemadores estén instaladas correctamente.
- Los quemadores y electrodos tienen que estar limpios y secos.
- Utilice solamente los accesorios indicados. No cubra la placa de acero inoxidable (por ejemplo, con hoja de aluminio).
- No tape las aberturas de ventilación de la hornilla de gas que se encuentran por debajo del soporte de ollas.

### ⚠ ATENCION

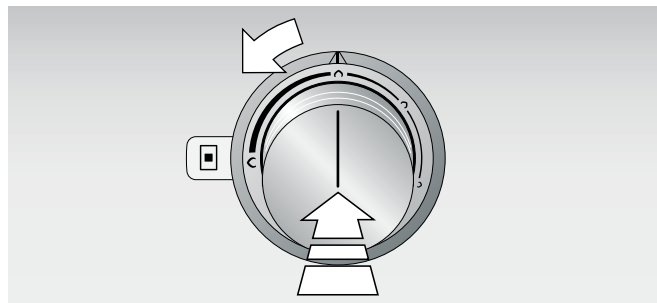
#### **Daños en la campana extractora a causa del calor**

Ponga en marcha la campana extractora cuando la placa de cocción a gas esté encendida. Si se utilizan varios puntos de cocción, seleccione la velocidad correspondiente para la campana extractora. Asegúrese de que haya suficiente aire.

## Conectar

Su estufa de gas está equipada con un encendido rápido automático.

- 1 Coloque un recipiente adecuado para la cocción sobre el quemador.
- 2 Presione la perilla de mando y gírela hacia la izquierda hasta la posición deseada. El quemador se enciende automáticamente.



Girando lentamente la perilla de mando se puede ajustar el tamaño de la llama en progresión continua entre el fuego más alto y el más bajo.

#### Notas

- Si tiene ollas de gran tamaño sobre las hornillas debe utilizarse el fuego bajo.
- Cada vez que se enciende la estufa de gas, el sistema electrónico realiza un autotest. El electrodo realiza una ignición, y el quemador se enciende después de unos segundos.
- Al encender la estufa de gas, el sistema electrónico abre el suministro de gas, por lo cual se produce un breve sonido. Esto es normal.
- En caso de interrupción de la energía eléctrica, el equipo no puede funcionar.

## Monitoreo electrónico de la llama y reencendido automático

Para su seguridad, la estufa está equipada con un monitoreo electrónico de la llama. En caso de que la llama se apague al estar encendida (p. ej., por una corriente de aire), el equipo enciende nuevamente el quemador de manera automática.

Si llegara a no tener éxito el reencendido (p. ej. por estar sucio el quemador debido a los alimentos desbordados), el equipo desconecta el suministro de gas, y suena una señal acústica.

Gire la perilla de mando a 0. Espere hasta que el equipo se haya enfriado lo suficiente, y revise si están bien instaladas todas las partes de los quemadores. Revise si el quemador o el electrodo están sucios (ver "¿Qué hacer en caso de fallas?").

**Si enciende el equipo frío hasta el nivel más alto de calor, por favor tome en cuenta lo siguiente:**

Según el tipo de gas y la presión del mismo, es posible que el electrodo se encienda y después se desconecte, aunque esté presente una llama. Gire la perilla de mando a 0, y luego a la posición de fuego bajo. Espere después del encendido por unos 30 a 60 segundos hasta que se haya calentado el quemador. Ahora puede utilizar su equipo como acostumbra.

## Apagar

Gire la perilla a la derecha hasta que trabe en la posición 0. El sistema eléctrico del equipo cierra el suministro de gas.

---

### AVISO

---

#### **Peligro de quemaduras**

Si permanece cerrada la cubierta del equipo, el calor se acumula. Cierre la cubierta del equipo solamente cuando éste ya se haya enfriado. Nunca encienda el equipo con su cubierta cerrada. No utilice la cubierta del equipo para mantener calientes las ollas ni para dejarlas ahí puestas.

---

## Desconexión de seguridad

Para su protección, el equipo está equipado con un sistema de desconexión de seguridad. La unidad se apaga después de 6 horas, si en ese tiempo no se lleva a cabo ninguna operación.

También después de un corte de luz, el equipo permanece desconectado. Se escuchará una señal acústica continua.

Gire hasta 0 la perilla de mando, y se podrá poner en funcionamiento el equipo de forma habitual.

## Tabla de ajuste y consejos

Rango de ajuste	Métodos de cocción	Ejemplos
Llama máxima ▲	Cocción inicial	Agua
	Sofreír	Carne
	Calentar	Grasa, Líquidos
	Ebullición	Sopas, Salsas
	Escaldar	Verduras
Desde ▲ hasta ▲	Asado	Carne, Pescado, Patatas
	Hornear	Platos con harina, platos con huevo
	Cocción a fuego lento	Albóndiga de patata, Salchicha hervida, carne para cocidos
	Batir	Cremas, Salsas
	Continuar la cocción	Sopas, Patatas
	Cocción a vapor	Verdura, Pescado
	Rehogar	Verdura, Fruta, Pescado
	Asar a fuego lento	Estofado, Asado, Verdura
Llama pequeña ▲	Descongelar	Alimentos congelados
	Hincharse	Arroz, Legumbres
	Calentar	Sopas, Cocidos, Verduras en salsa

## Consejos para cocer y asar

Los valores de la tabla de ajuste son meramente orientativos, ya que según el tipo y estado de los alimentos, así como el tamaño y el nivel de llenado de la olla, puede ser necesario más o menos calor.

Debido a su elevada potencia la grasa y el aceite se calientan muy rápidamente. No deje los productos en cocción sin vigilancia, la grasa podría incendiarse y quemar el producto de asar.

## Consejos acerca del Wok

Aconsejamos que utilicen sartenes Wok con fondo bombeado. Puede pedir una sartén Wok de alta calidad como accesorio especial bajo la referencia siguiente (WP 400 001).

Utilice para cocinar con la sartén Wok sólo aceite para alimentos resistente a temperaturas altas como p. ej. aceite de cacahuates.

Cocine los ingredientes con temperaturas elevadas agitándolas de modo continuo y durante poco tiempo. La verdura deberá estar aún crujiente.

Para agitar y extraer las comidas es recomendable un cucharón de palo largo de material termorresistente.

## Indicaciones sobre las cazuelas

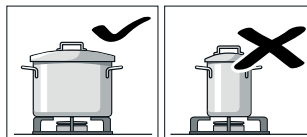
Las siguientes indicaciones le ayudarán a ahorrar energía y evitar daños en las cazuelas.

## Ollas de adecuadas para cocer

Hornilla	Diámetro recomendado del fondo de la olla	Diámetro mínimo del fondo de la olla
Hornilla para Wok	240 - 320 mm	160 mm

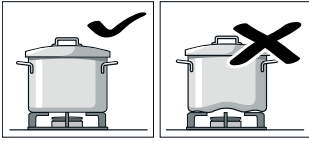
No deben usarse ollas con un diámetro menor a 160 mm o mayor de 320 mm. En caso de usar ollas más grandes, éstas no deben rebasar el ancho del equipo.

## Instrucciones de uso



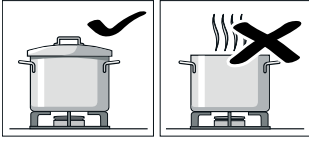
Utilice recipientes de cocción de tamaño apropiado al quemador correspondiente.

No utilice recipientes de cocción pequeños en un quemador grande. La llama no deberá tocar los laterales del recipiente de cocción.

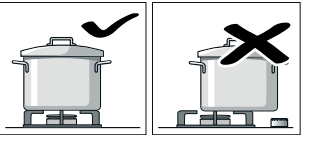


No utilice recipientes de cocción deformados que no asienten de forma estable sobre la placa de cocción. Los recipientes podrían volcar.

Utilice sólo recipientes de cocción con una base plana y gruesa.

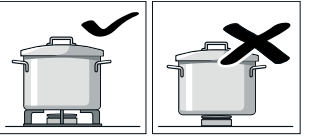


No cocine sin tapa o si se encuentra desplazada la tapa. Se derrocha gran parte de la energía.



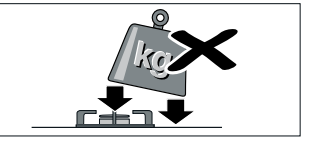
Coloque el recipiente de cocción en el centro por encima del quemador, de lo contrario podría volcar el recipiente.

No coloque las ollas grandes sobre el quemador cerca de los mandos. Estos podrían sobrecalentarse y por consiguiente dañarse.



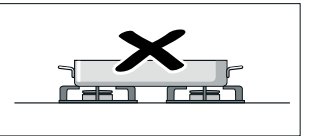
Coloque las ollas sobre soporte de ollas y no directamente sobre los quemadores.

Cerciórese antes de su uso que el soporte de ollas y la tapa del quemador de gas asienten correctamente.



Manipule con precaución los recipientes colocados sobre la placa de cocción.

No golpee la placa de cocción ni coloque sobre ella elevados pesos.



No caliente nunca un recipiente de cocción (p.ej. asador, sartén, piedra para grill) con varios quemadores. La acumulación de calor produce daños en el aparato.

---

## Cuidado y limpieza

---

En este capítulo encontrará consejos e indicaciones sobre un cuidado óptimo y limpieza de la placa de cocción.

---

### ⚠ AVISO

---

#### **Peligro de descarga eléctrica**

La humedad penetrante puede causar una descarga eléctrica. No use una hidrolavadora ni un limpiador por vapor.

---

---

### ⚠ AVISO

---

#### **Riesgo de quemaduras**

Al estar en funcionamiento, las partes accesibles se calientan mucho. Nunca toque las partes calientes. Mantenga alejados a los niños.

---

---

### ⚠ ATENCION

---

#### **Daños en la superficie**

No utilice estos productos de limpieza

- Limpiadores agresivos o por fregado
  - Limpiadores de horno
  - Limpiadores cáusticos, clorados o agresivos
  - Limpiadores que contengan mucho alcohol
  - Esponjas de lavado muy rígidas, cepillos duros o fibras duras que produzcan rayaduras

Si llega a caer en el equipo un producto de este tipo, enjuáguelo de inmediato con agua.

¡Siempre lave a fondo los trapos de esponja antes de usarlos!

---

---

### ⚠ ATENCION

---

No raye la estufa cuando quite y ponga los soportes de ollas. Levante el soporte de olla hacia arriba con ambas manos .

---

## Limpieza del equipo

Limpie el equipo después de cada uso, una vez que se haya enfriado. Retire de inmediato los líquidos derramados, no deje que se quemen los restos de comida.

Mantenga limpias las aberturas de ventilación que se encuentran por debajo del soporte de ollas. Las aberturas de ventilación no se deben tapar.



Seque a fondo los quemadores después de limpiarlos. Solamente ponga a funcionar el equipo con los quemadores secos. Los quemadores húmedos causan problemas al encender, o tienen una llama inestable.

Ponga atención a la posición correcta de las partes de los quemadores cuando los arme (oriéntese por las protuberancias correspondientes). Todas las partes tienen que estar colocadas de forma plana.

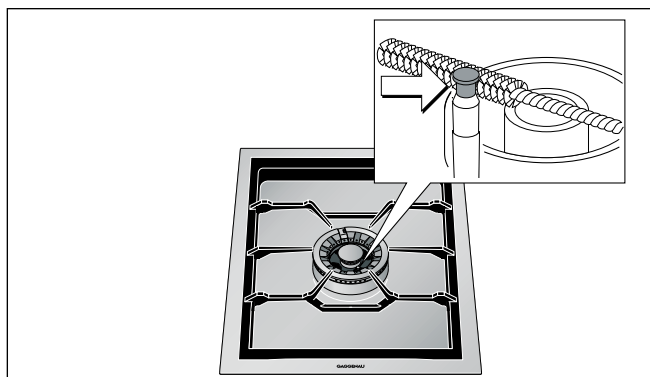
Parte del equipo/Superficie	Limpieza recomendada
Superficies de acero inoxidable	<p>Líquido para lavado de trastes, séquese con un trapo suave. Use sólo poca agua para la limpieza, no debe entrar agua en el equipo.</p> <p>Deje que se ablanden las partes quemadas con un poco de agua y algo de jabón lavatrastes, no las arranque frotándolas.</p> <p>Elimine las suciedades fuertes o la coloración amarilla causada por el calor con nuestro limpiador de acero inoxidable (número de pedido 311413).</p>
Soporte para ollas	<p>Para limpiarlo, retírelo con cuidado. Déjelo suavizarse en el fregadero. Límpielo con un cepillo para trastes y jabón lavatrastes.</p> <p>Limpie con cuidado la zona del protector de hule, para no desprenderlo.</p> <p>Enjuáguelo con agua limpia y séquelo antes de montarlo.</p> <p><b>¡No lo lave en la máquina lavatrastes!</b></p>
Partes de los quemadores (de latón)	<p>Líquido para lavar trastes, secar con un trapo suave. Tenga cuidado de no tapar las aberturas.</p> <p>Tenga cuidado de no perder las partes pequeñas.</p> <p><b>¡No lo lave en la máquina lavatrastes!</b></p>
Perilla de mando	<p>Líquido para lavar trastes, el trapo no debe estar demasiado mojado. Séquelo con un trapo suave.</p>

## Limpieza de electrodos

Un electrodo sucio puede producir fallas al encender o también en el monitoreo de la llama.

De ser necesario, realice una limpieza con el cepillo incluido. El electrodo es delicado; límpielo con

cuidado, no lo tuerza ni lo maltrate. **No encienda la placa de cocción mientras está realizando la limpieza.**



## Suciedad quemada y pegada

Para las costras de suciedad quemada y pegada, difíciles de quitar, se puede solicitar en su tienda especializada o en nuestro servicio al cliente un limpiador de parrillas (número de pedido 463582). Este producto es adecuado para los soportes de las cazuelas, las partes de los quemadores y la charola de acero inoxidable. De ser necesario, deje el producto sobre la suciedad durante toda la noche para que surta efecto. Tome en cuenta las indicaciones del limpiador.

## Coloración de los quemadores

Después de un uso prolongado cambian de color las partes de latón de los quemadores debido a la oxidación natural y se oscurecen. La modificación del color no influye en su efectividad funcional. Para eliminar esta coloración, haga lo siguiente:

- 1 Prepare una solución a partes iguales de vinagre blanco con un máximo de 8% de ácido (vinagre normal doméstico) y agua caliente.
- 2 Ponga a remojar las partes decoloradas de los quemadores por un máximo de 10 minutos en la solución. Remueva las manchas rebeldes con un trapo o una esponja.
- 3 A continuación enjuague a fondo las partes de los quemadores con agua limpia y séquelas bien antes del siguiente uso.

### **⚠ ATENCION**

Una solución demasiado concentrada o un contacto demasiado largo de las partes de los quemadores con el vinagre causan daños en la superficie.

## ¿Qué hacer en caso de fallas?

Muchas veces podrá solucionar fácilmente usted mismo los fallos que aparezcan. Antes de llamar al servicio técnico, tome en cuenta las siguientes indicaciones.



### AVISO

#### Peligro de descarga eléctrica

Las reparaciones incorrectas son peligrosas. Solo puede realizar reparaciones uno de nuestros técnicos capacitados de Servicio al Cliente. Si el electrodoméstico está defectuoso, desconecte el enchufe o desconecte el fusible en la caja de fusibles. Llame al Servicio al Cliente.

Falla	Causa	Remedio
El quemador no se enciende al conectar el equipo.	No hay alimentación eléctrica.	Girar todas las perillas de mando a 0. Verifique la caja de fusibles para comprobar si el fusible se ha fundido.
El quemador no se enciende cuando se prende el equipo, se oye una señal acústica.	Falla en el quemador o en la alimentación de gas.	Girar todas las perillas de mando a 0. <b>Compruebe:</b> <ul style="list-style-type: none"><li>● ¿Las partes del quemador están instaladas correctamente?</li><li>● ¿Está abierta la válvula de gas?</li><li>● ¿Los quemadores están limpios y secos?</li><li>● ¿Hay aire en la tubería tras el primer encendido o cambio de tanque (en caso de gas LP)?</li><li>● ¿El tanque de gas está vacío (gas LP)?</li></ul>
El quemador se apaga durante el funcionamiento, suena la alarma.	Falla en el quemador o en la alimentación de gas.	Girar todas las perillas de mando a 0. <b>Espere hasta que el aparato se haya enfriado</b> <b>Compruebe:</b> <ul style="list-style-type: none"><li>● ¿Las partes del quemador están instaladas correctamente?</li><li>● ¿El electrodo está contaminado (restos de alimentos) o húmedo?</li><li>● ¿El quemador está sucio por los alimentos derramados?</li><li>● ¿Fuertes corrientes de aire (por ejemplo, por una ventana abierta directamente detrás de la estufa de gas)?</li><li>● ¿El tanque de gas está vacío (gas LP)?</li></ul>
El quemador se apaga durante el funcionamiento, sigue sonando la señal acústica aunque todas las perillas de control estén en la posición 0.	Protección contra sobrecalentamiento	Girar todas las perillas de mando a 0. Espere hasta que la unidad se haya enfriado y se haya silenciado la señal audible.
El quemador se apaga durante el funcionamiento.	Corte de luz	Girar todas las perillas de mando a 0. Compruebe la fuente de alimentación. Después de un corte de energía, no hay reencendido automático.
Gira la perilla de mando a 0. El dispositivo trata de reencenderse, suena la señal acústica.	Defecto técnico	Contacte al servicio al cliente de Gaggenau.
Los quemadores se apagan durante el funcionamiento. Suena la señal acústica.	Desconexión de seguridad: No se hizo operación alguna por 6 horas.	Gire la perilla de mando a 0, y después vuelva a encender el equipo de ser necesario.

<b>Falla</b>	<b>Causa</b>	<b>Remedio</b>
Huele a gas en la cocina.	Posible fuga en la conexión del tanque de gas.	Comprobar la conexión del tanque de gas para detectar fugas.
Las esquinas del equipo se com- ban ligeramente hacia arriba durante el funcionamiento.	Por el calor se expande el metal de la placa de cocción.	Esto es normal. Cuando el equipo está frío no se ve la curvatura.

---

## **Servicio de atención al cliente**

---

Si su aparato necesita una reparación, nuestro servicio de atención al cliente estará encantado de ayudarle. Siempre encontramos la solución adecuada, incluso para evitar visitas innecesarias de los técnicos.


Cuando llame por teléfono, indique la referencia del producto (Nº E) y el número de fabricación (Nº FD) para que podamos ofrecerle un servicio cualificado. La placa de identificación con los números correspondientes los encontrará en la parte inferior del aparato. Para evitar tener que buscar los datos de su aparato cuando los precise, es aconsejable anotarlos aquí conjuntamente con el número de teléfono del Servicio de atención al cliente.

---

**Nº E.**

**Nº FD.**

---

**Servicio de atención al cliente** 

---

Tenga en cuenta que la visita del técnico del servicio de atención al cliente no es gratuito en caso de que el mal funcionamiento sea debido a un manejo incorrecto del aparato.

Las señas de las delegaciones internacionales figuran en la lista adjunta de centros y delegaciones del Servicio de Asistencia Técnica Oficial.

### **Solicitud de reparación y asesoramiento en caso de averías**

**US** 877 442 4436  
toll-free

Confíe en la competencia del fabricante. De esa forma se asegura de que la reparación se lleva a cabo por personal técnico debidamente instruido, equipado con las piezas originales y de repuesto necesarias para su aparato.

**Gaggenau**

BSH Home Appliances Ltd.  
1901 Main Street, Suite 600  
Irvine, CA 92614  
+1 877 4GAGGENAU  
USA  
[www.gaggenau-usa.com](http://www.gaggenau-usa.com)

**Gaggenau Hausgeräte GmbH**

Carl-Wery-Straße 34  
81739 München  
GERMANY

**GAGGENAU**



9000709209 en-us, es-mx, fr-ca (930306)