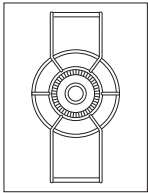


400 Series Vario

Gas wok

Width 15" (38 cm)



VG 411-210 CA

Natural gas

VG 411-210 CA

– **Special stainless steel appliance for the professional home kitchen.** Made to combine with our Series 400.

– **Wok burner with 17,000 BTU output.** For the typical Asian quick braising and for large pots and pans.

– **Convenient operation with automatic quick ignition.** Simply move the switch to the required position and release it like on an electric cooktop.

Equipped for natural gas. Jets supplied for conversion to LP gas.

Brushed stainless steel cooktop.

One super-high output burner with three rings (300–5000 W) 1,000 - 17,000 BTU, suitable for pots up to a maximum \varnothing 12 5/8".

Two brass burner rings.

Quick ignition.

Electronic flame monitoring (ionization principle) with automatic re-ignition.

Cast-iron pan support.

One control knob with ring and output markings.

Optional accessories:

VD 400-000 stainless steel cover.

VV 400-000 Connecting strip for combination with other Vario cooktops.

SV 401-090 Shaft extension for up to 3 9/16" (see adjacent drawing).

SV 401-205 Shaft extension for up to 8 1/16" (see adjacent drawing).

WP 400-000 Wok pan made of multiple-layer material, with round bottom and handle, \varnothing 13 3/4", 287 cb.in, height 3 3/4".

Planning notes:

Order the cover separately.
The pan support must be removed when closing the cover.
 Panel thickness 5/8" - 1".

Control knob can be integrated in the base cabinet at drawer level.

Air intake from above. No intermediate shelf needed.

The Vario gas wok is equipped with a connecting cable and a grounded plug (4.59 ft. long).

The appliance must be set up and connected in accordance with the applicable installation specifications.

The rear panel must consist of a non-flammable material. Wall trims must be resistant to heat.

Planning notes (continued):

The minimum distance from the side of appliance edge to the wall or furnishing components must be at least 12".

Clamping range: 1 13/16" - 2" cooktop fixings.

The appliance is not operable without electrical connection.

Operation next to a cooktop extractor VL 431/430 is not permitted.

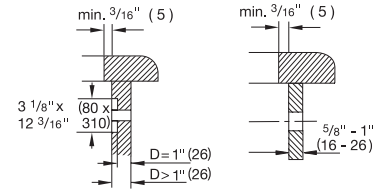
Rating:

Total rating: 5.0 kW (17,000 BTU)

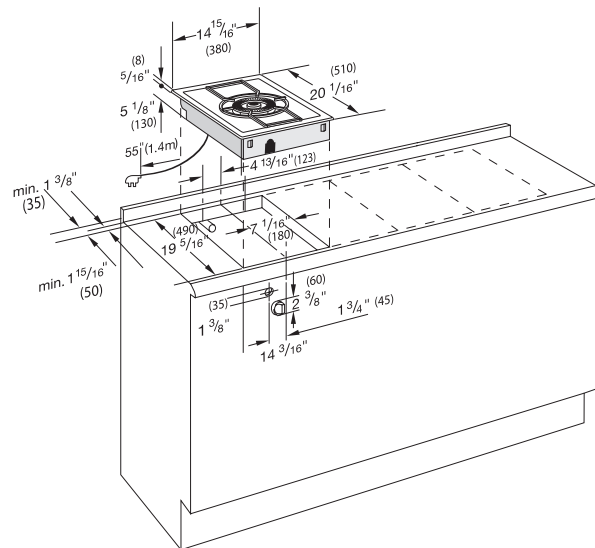
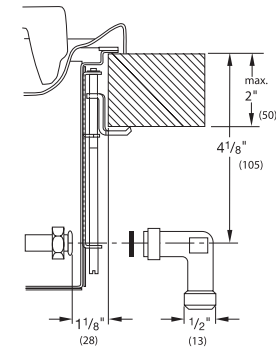
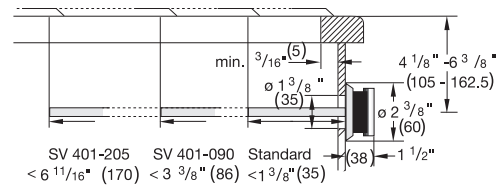
Total Amps: 1

120V / 60Hz

The sketch to the right must be observed if the panel is more than 1" thick. There must be a recess at the rear for proper control module installation.



Possible shaft extension prolongation.



Numbers indicated inside parenthesis () = mm