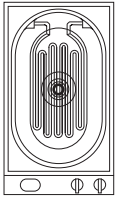


200 Series Electric Deep Fryer
with integrated control panel
Width: 12" (29 cm)



VF 230-610

Accessories included in the price:

- One deep frying basket with tilt-in handle.
- Cover (stainless steel shot-blasted).
- Frying basket suspension.

VF 230-610

- **Special appliances from the professional kitchen.** Individually put together with continuous aluminum control panel.
- **Optimum ratio of volume and performance.** Even non-stop deep frying.
- **Exact temperature setting.** Healthy deep frying with an optimum result. Even if food contains starch.

- Electronic short-period time up to 90 min.
- Remaining time display.
- Three-zone frying basin:
 - Foaming expansion rim.
 - Frying zone
 - Cold oil zone.
- Stainless steel basin.
- Hinged heating element (2300 W).
- Oil Quantity: 3.7 quarts (3.5 liters)
- Gentle fat melting stage.
- Electronic temperature control with display function between 275°F and 380°F, in 10°F steps.
- Electronic overheating protection.
- Child lock.

Optional accessories:

VV 200-000 Connecting strip
 for combination with other appliances with integrated control panel.

FK 020-000 Additional deep frying basket.

VD 201-010 Shot-blasted aluminum appliance cover.

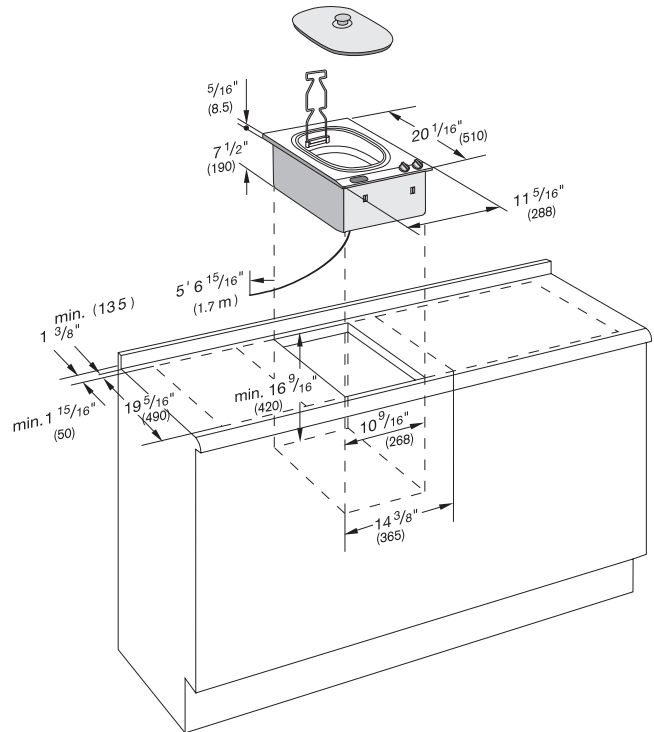
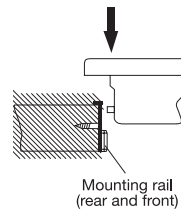
Planning notes:
VF 230 and VK 230 must not be installed directly adjacently.

The electric fryer is equipped with a 67" connecting cable (hardware required).

- Plan a door in the base cabinet for operation of the oil drain-valve.
- Appliance clicks into place when inserted in the countertop from above.

Rating:

Total rating: 2.3 kW
Total Amps: 10
220-240V / 60Hz



Numbers indicated inside parenthesis () = mm