

Install Guide

5 Series Built-In Electric Rangetops / Built-In Induction Rangetops

VERT530, VERT536

VIRT530, VIRT536

Table of Contents

Warnings & Important Safety Instructions _____	3
Specifications /Dimensions (Electric Rangetops) _____	4
Specifications /Dimensions (Induction Rangetops) _____	6
Cutout / Clearance Dimensions _____	8
Electrical Requirements _____	10
Installation _____	11
Final Preparation _____	11
Performance Checklist _____	11
Service & Registration _____	12

- Before beginning, please read these instructions completely and carefully.

Your safety and the safety of others is very important.

We have provided many important safety messages in this manual and on your appliance. **ALWAYS** read and obey all safety messages.

This is the safety alert symbol. This symbol alerts you to hazards that can kill or hurt you and others.



All safety messages will be preceded by the safety alert symbol and the word "DANGER," "WARNING" or "CAUTION." These words mean:

DANGER

Hazards or unsafe practices which WILL result in severe personal injury or death

WARNING

Hazards or unsafe practices which COULD result in severe personal injury or death

CAUTION

Hazards or unsafe practices which COULD result in minor personal injury or property damage.


All safety messages will identify the hazard, tell you how to reduce the chance of injury, and tell you what can happen if the instructions are not followed.

IMPORTANT – Please Read and Follow!


- **DO NOT** remove permanently affixed labels, warnings, or plates from product. This may void the warranty.
- Please observe all local and national codes and ordinances. Installation must conform with local codes and National Fuel Gas Code ANSIZ233.1/NFPA-54–latest edition.
- Please ensure that this product is properly grounded.
- The installer must leave these instructions with the consumer who should retain for local inspector’s use and for future reference.
- Installation must conform with local codes or, in the absence of codes, the National Electrical Code, ANSI/NFPA 70–latest edition.

In Canada: Electrical installation must be in accordance with the current CSA C22.1 Canadian Electrical Codes Part 1 and/or local codes.

⚠ WARNING

 **BURN HAZARD**
The use of cabinets for storage above the appliance may result in potential burn hazard. Combustible items may ignite, metallic items may become hot and cause burns. If a cabinet storage is to be provided the risk can be reduced by installing a range hood that projects horizontally a minimum of 5" (12.7 cm) beyond the bottom of the cabinets.


⚠ WARNING

 **ELECTRICAL GROUNDING INSTRUCTIONS**
This rangetop must be electrically grounded in accordance with local codes or, in the absence of codes, with the National Electrical Code, ANSI/NFPA 70–latest edition. **FOR PERSONAL SAFETY, THIS APPLIANCE MUST BE PROPERLY GROUNDED.**


⚠ WARNING

The power supply board is provided with the power supply, type RAC03-24SC/277, manufactured by Recom, rated Input 100-277Vac, Output 24V/125mA is UL recognized under QAQGQ2/8.E224736. The external overcurrent protection of the primary for this power supply is max.20A.


⚠ CAUTION

 Be sure the electric power is off from the breaker box to the junction box until the rangetop is installed and ready to operate. The junction box should be connected to a suitable ground.

⚠ WARNING

 The electrical power to the unit must be shut off while line connections are being made. Failure to do so could result in serious injury or death.

⚠ WARNING

 **FIRE AND ELECTRICAL SHOCK HAZARD**
DO NOT use an extension cord with this appliance. Such use may result in fire, electrical shock, or other personal injury.

⚠ WARNING

Stationary appliances not fitted with means for disconnection from the supply mains having a contact separation in all poles that provide full disconnection under overvoltage category III, means for disconnection must be incorporated in the fixed wiring in accordance with the wiring codes.

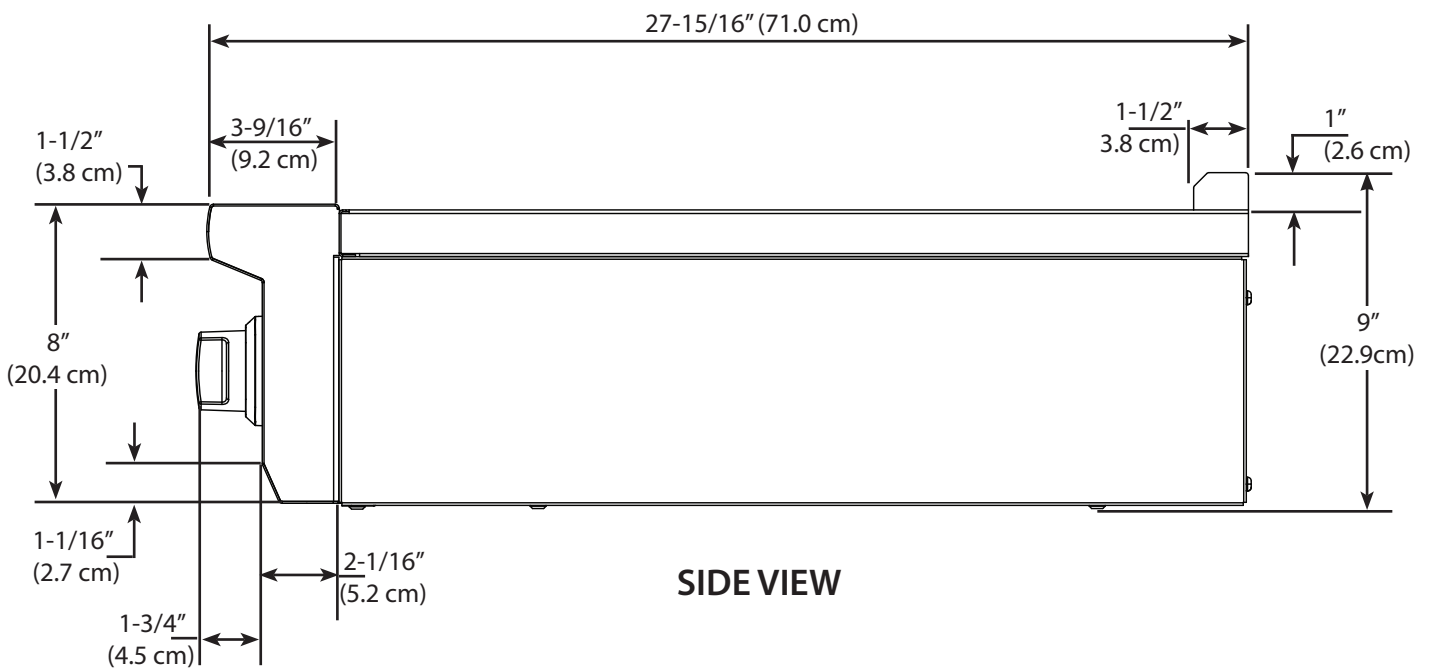
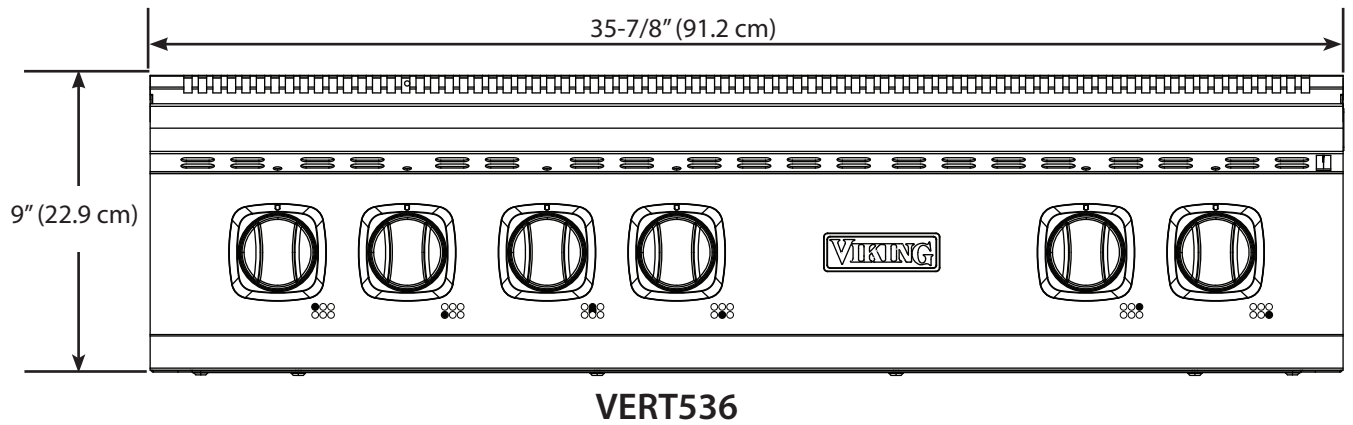
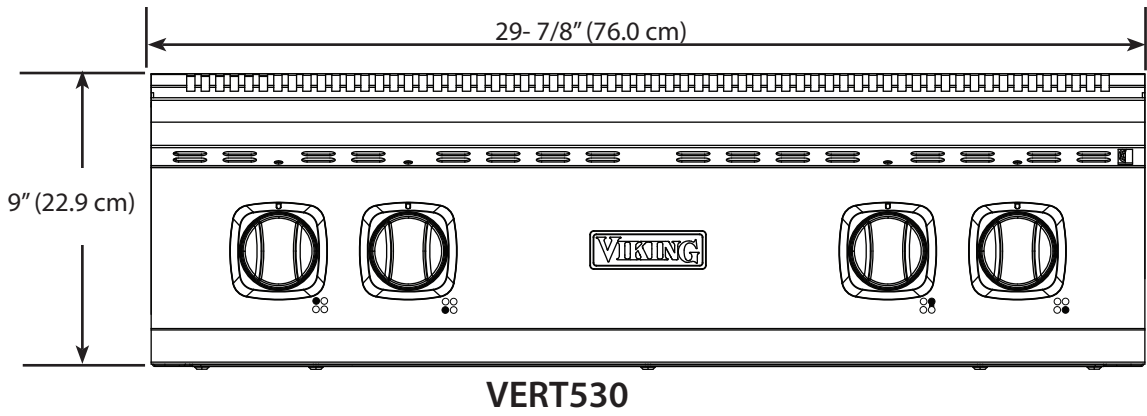
Specifications (Electric Rangetops)

VERT Electric Rangetop		
Description	30" W. - 76 cm Wide	36" W. - 91 cm Wide
Overall width	29-7/8" (76.0cm)	35-7/8" (91.2 cm)
Overall height from bottom To top of cooking surface	8" (20.4 cm)	
Overall depth from rear To end of side panel To end of landing ledge To end of knobs	24-5/16" (61.8 cm) 27-15/16" (71.0 cm) 28-3/16" (71.6 cm)	
Cutout width	30" (76.2 cm)	36" (91.4 cm)
Cutout depth	24" (61.0)	
Cutout Height	7-1/2" (19.1 cm)	
Electrical requirements	3-Wire 240-208V / 60Hz 40amp	3-Wire 240-208V / 60Hz 60amp
Maximum amp usage	240V - 34.6 A (8.3 kW) 208V - 29.8 A (6.2 kW)	240V - 49.2 A (11.8 kW) 208V - 42.6 A (8.9 kW)
Surface element rating (watts)	<u>240V</u> <u>208V</u> N/A N/A	<u>240V</u> <u>208V</u> 3000 /1400 2250/1050
Left front (dual)	N/A N/A	N/A N/A
Left front (single)	1500 1125	N/A N/A
Left rear (dual)	3000 /1400 2250/1050	N/A N/A
Left rear (single)	N/A N/A	1500 1125
Center front/rear	N/A N/A	1800 1350
Bridge	800 600	800 600
Right Front	1800 1350	1500 1125
Right rear (dual)	N/A N/A	3000 /1400 2250/1050
Right rear (single)	1800 1350	N/A N/A
Approximate shipping weight	110 lbs. (49.5 kg)	165 lbs. (74.3 kg)

Minimum clearances from adjacent combustible construction

- Cooking surface and below, i.e., 36" (91.4 cm) and below
 - Sides—0"
 - Rear—0" with backguard or highshelf; 0" with island trim and noncombustible rear wall; 6" (15.2 cm) with island trim and combustible rear wall.
- Above cooking surface, i.e. above 36" (91.4 cm)
 - Sides—6" (15.2 cm)
 - Within 6" (15.2 cm) side clearance, wall cabinets no deeper than 13" (33.0 cm) must be minimum 18" (45.7 cm) above cooking surface.
 - Wall cabinets directly above product must be minimum 36" (91.4 cm) for open top burners above cooking surface.

Dimensions (Electric Rangetops)



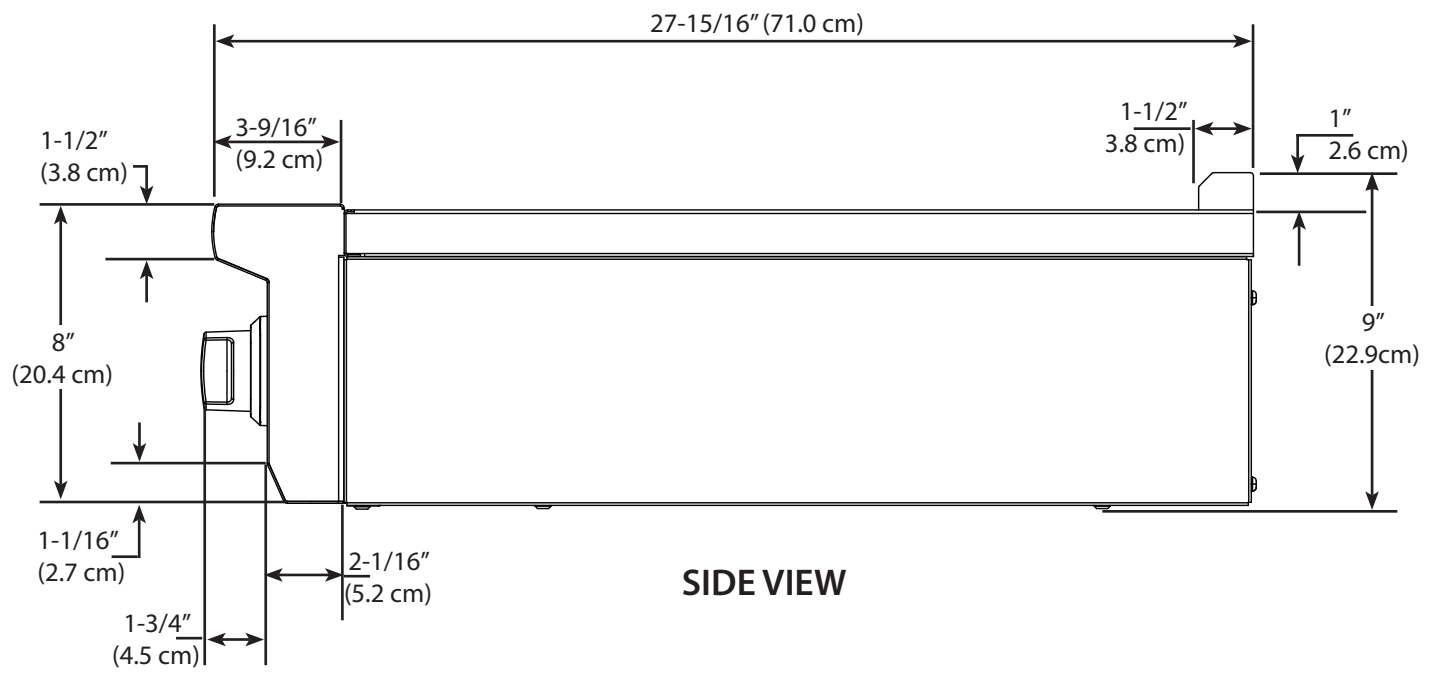
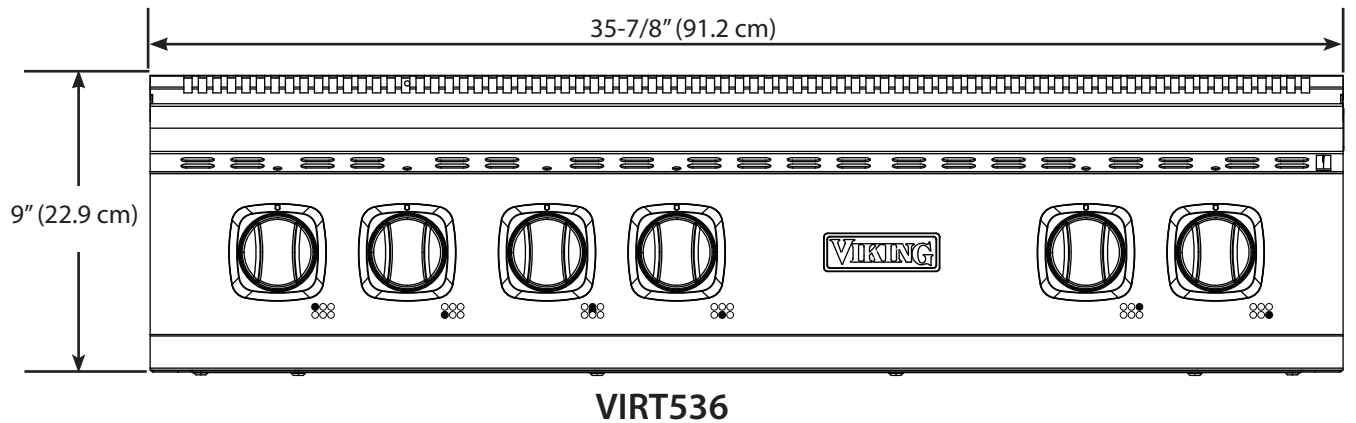
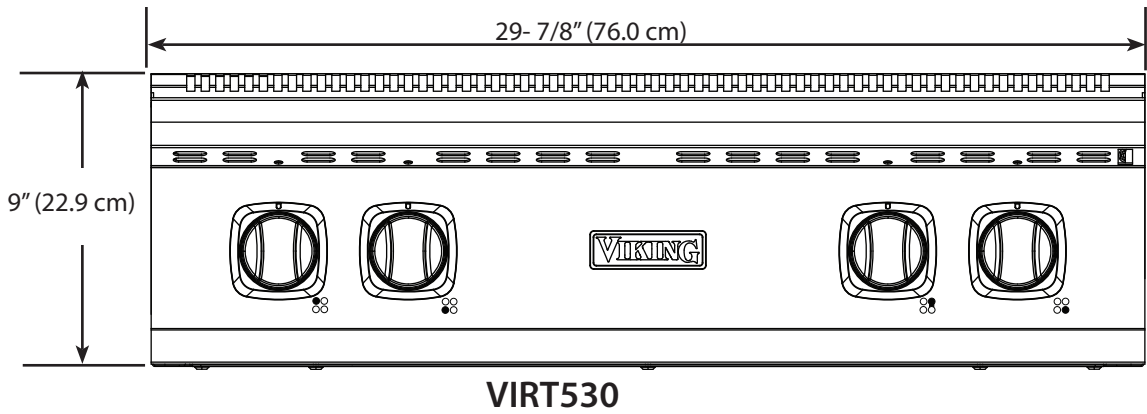
Specifications (Induction Rangetops)

VIRT Induction Rangetop		
Description	30" W. - 76 cm Wide	36" W. - 91 cm Wide
Overall width	29-7/8" (76.0cm)	35-7/8" (91.2 cm)
Overall height from bottom To top of cooking surface	8" (20.4 cm)	
Overall depth from rear To end of side panel To end of landing ledge To end of knobs	24-5/16" (61.8 cm) 27-15/16" (71.0 cm) 28-3/16" (71.6 cm)	
Cutout width	30" (76.2 cm)	36" (91.4 cm)
Cutout depth	24" (61.0)	
Cutout Height	7-1/2" (19.1 cm)	
Electrical requirements	3-Wire 240-208V / 60Hz 40amp	3-Wire 240-208V / 60Hz 60amp
Maximum amp usage	240V - 34.6 A (8.3 kW) 208V - 29.8 A (6.2 kW)	240V - 49.2 A (11.8 kW) 208V - 42.6 A (8.9 kW)
Surface element rating (watts)	(4) 3700/2300 W	(6) 3700/2300 W
Approximate shipping weight	110 lbs. (49.5 kg)	165 lbs. (74.3 kg)

Minimum clearances from adjacent combustible construction


- Cooking surface and below, i.e., 36" (91.4 cm) and below
 - Sides—0"
 - Rear—0" with backguard or highshelf; 0" with island trim and noncombustible rear wall; 6" (15.2 cm) with island trim and combustible rear wall.
- Above cooking surface, i.e. above 36" (91.4 cm)
 - Sides—6" (15.2 cm)
 - Within 6" (15.2 cm) side clearance, wall cabinets no deeper than 13" (33.0 cm) must be minimum 18" (45.7 cm) above cooking surface.
 - Wall cabinets directly above product must be minimum 36" (91.4 cm) for open top burners above cooking surface.

Dimensions (Induction Rangetops)



Cutout / Clearance Dimensions

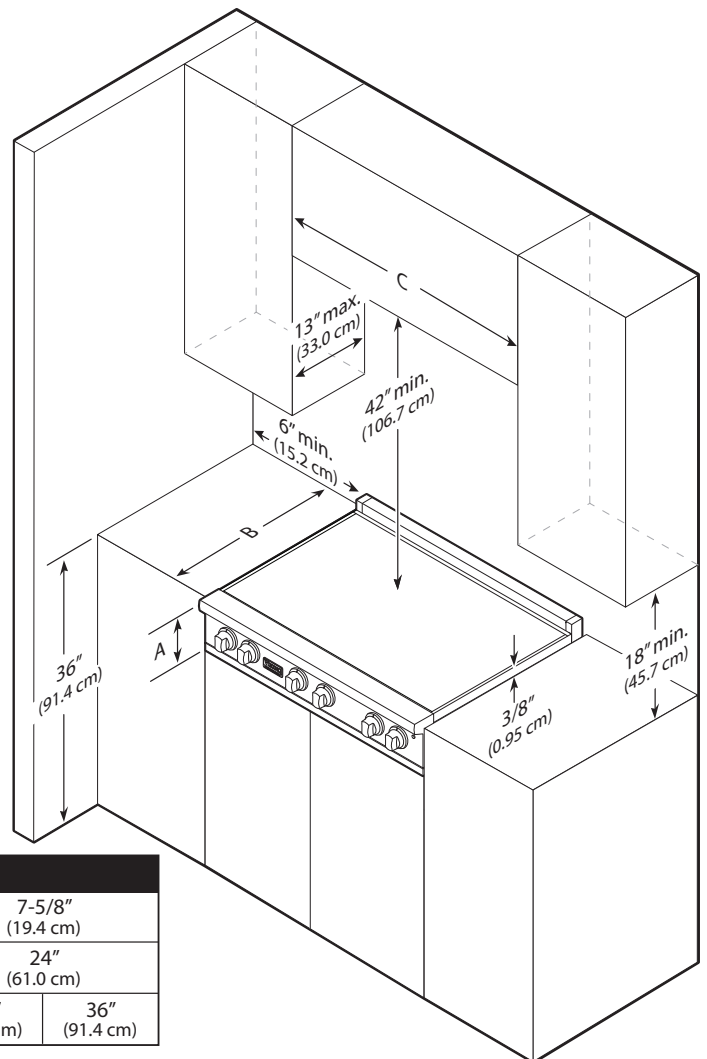
⚠ **WARNING**



BURN HAZARD

The use of cabinets for storage above the appliance may result in potential burn hazard. Combustible items may ignite, metallic items may become hot and cause burns. If a cabinet storage is to be provided the risk can be reduced by installing a range hood that projects horizontally a minimum of 5" (12.7 cm) beyond the bottom of the cabinets.

- This rangetop may be installed directly adjacent to existing 36" (91.4 cm) high base cabinets. **IMPORTANT:** The top grate support **MUST** be 3/8" (.95 cm) above the adjacent base cabinet countertop.
- The rangetop **CANNOT** be installed directly adjacent to sidewalls, tall cabinets, tall appliances, or other side vertical surfaces above 36" (91.4 cm) high. There must be a minimum of 6" (15.2 cm) side clearance from the rangetop to such combustible surfaces above the 36" (91.4 cm) counter height.
- Within the 6" (15.2 cm) side clearance to combustible vertical surfaces above 36" (91.4 cm), the maximum wall cabinet depth must be 13" (33.0 cm) and wall cabinets within this 6" (15.2 cm) side clearance must be 18" (45.7 cm) above the 36" (91.4 cm) high countertop.
- Wall cabinets above the rangetop must be a minimum of 42" (106.7 cm) above the rangetop cooking surface for the full width of the rangetop. This minimum height requirement does not apply if a range hood is installed over the cooking surface



A	7-5/8" (19.4 cm)
B	24" (61.0 cm)
C	30" (76.2 cm) 36" (91.4 cm)

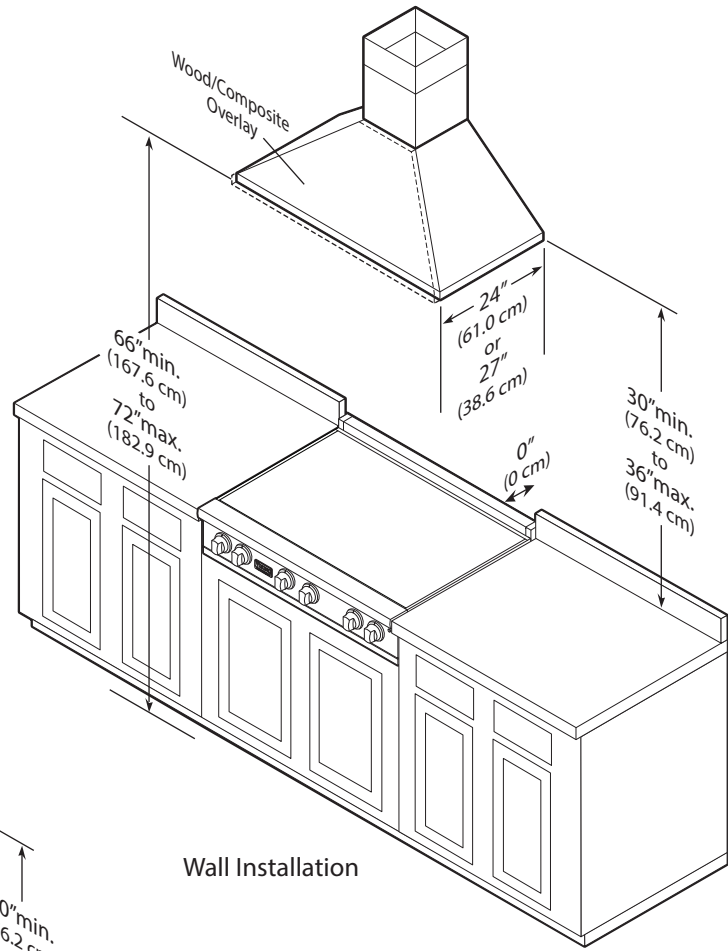
Note: Based on 24" (61 cm) deep cabinet.

Note: Minimum clearance for back wall is 0" with backguard or high-shelf.

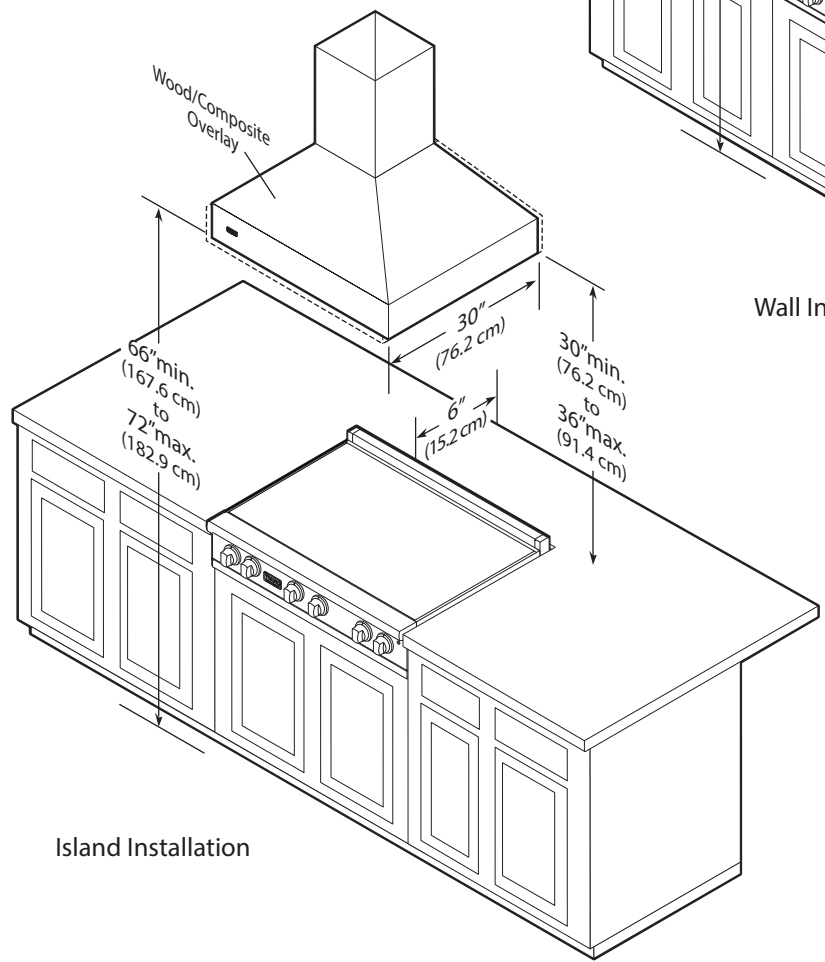
Note: If a range hood is installed, wall cabinets above the rangetop have a different minimum clearance height

Clearance Dimensions - (Wood/Composite Overlay)

The bottom of a standard hood should be 30" (76.2 cm) min. to 36" (91.4 cm) max. above the countertop. This would typically result in the bottom of the hood being 66" (167.6 cm) to 72" (182.9 cm) above the floor. Refer to the range hood installation instructions for additional information. These dimensions provide for safe and efficient operation of the hood.



Wall Installation



Island Installation

Note: Minimum clearance for back wall is 0" with backguard or high-shelf.

Note: 6" (15.2 cm) min. with island trim and combustible rear wall. 0" with island trim and non-combustible rear wall.

Electrical Requirements

Electrical Requirements

Check your local codes regarding this unit. This rangetop requires 3-wire, A.C. 240 volt, 60 HZ electrical system. It must be fused separately. Refer to the specifications chart for kilowatt rating and recommended amperage. House wiring and fusing must comply with local codes. If no local codes are applicable, wire in accordance with the National Electrical Code, ANSI/NFPA 70-latest edition.

Electrical Connection

When making the wire connections, use the entire length of the conduit provided (4 feet). The conduit must not be cut. Connect the red and black leads from the unit conduit to the corresponding leads in the junction box. The bare ground wire in the conduit is connected to the unit frame. When connecting to a 3-conductor branch circuit, connect the bare ground connector lead of the unit to the branch circuit ground (bare wire or green in color).

⚠ WARNING



The electrical power to the unit must be shut off while line connections are being made. Failure to do so could result in serious injury or death.

⚠ CAUTION



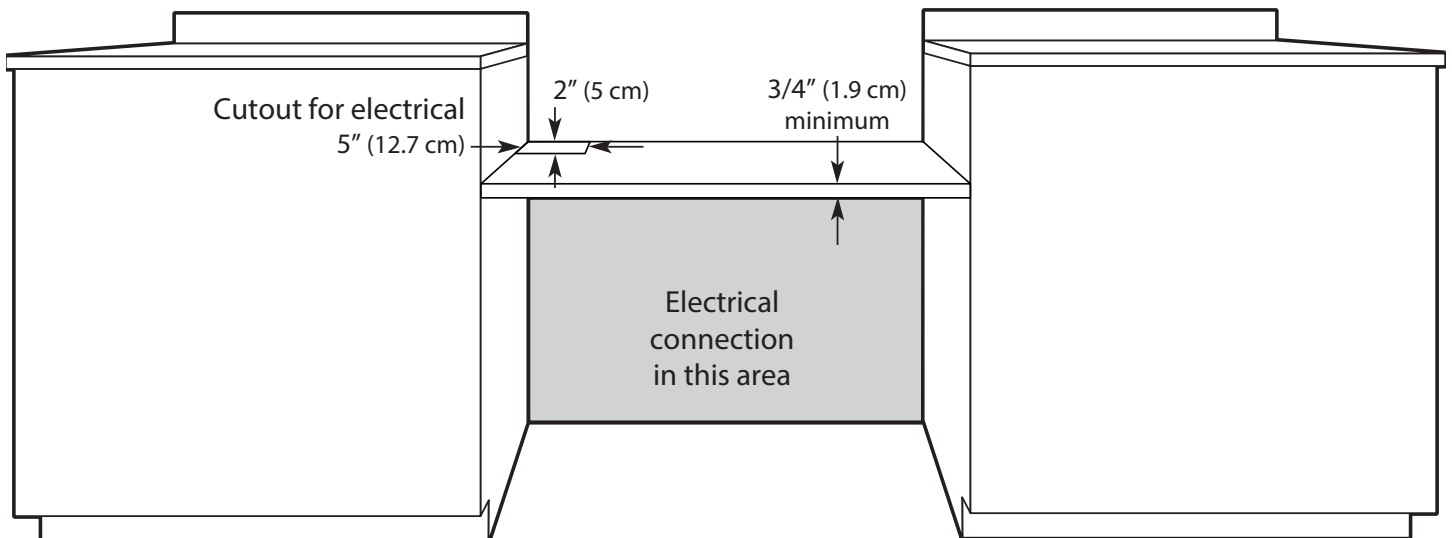
Be sure the electric power is off from the breaker box to the junction box until the rangetop is installed and ready to operate. The junction box should be connected to a suitable ground.

⚠ WARNING

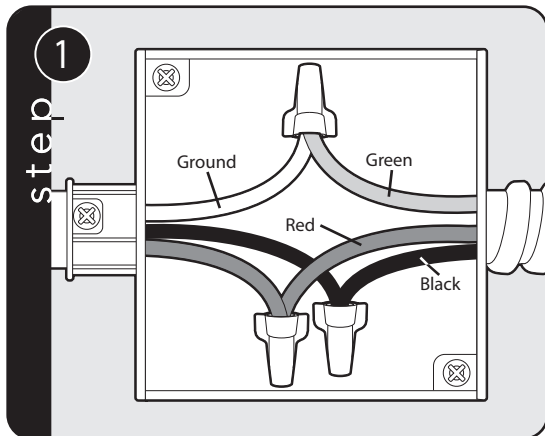


FIRE AND ELECTRICAL SHOCK HAZARD

DO NOT use an extension cord with this appliance. Such use may result in fire, electrical shock, or other personal injury.

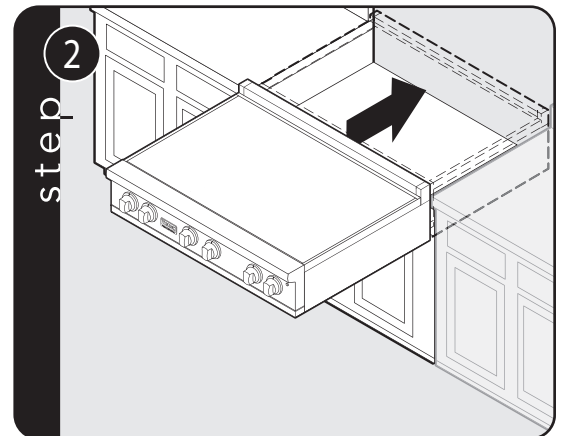


Installation



Connect the red and black leads from the unit conduit to the corresponding leads in the junction box.

NOTE: For an existing 4-wire connection, the white (neutral) wire on the induction rangetop cannot be tied to the ground and will need to be capped with a wire nut



Slide rangetop into place.

Final Preparation

All stainless steel body parts should be wiped with hot, soapy water and with a liquid cleaner designed for this material. If buildup occurs, DO NOT use steel wool, abrasive cloths, cleansers, or powders. If it is necessary to scrape stainless steel to remove encrusted materials, soak with hot, wet cloths to loosen the material, then use a wool or nylon scraper. DO NOT use a metal knife, spatula, or any other material tool to scrape stainless steel! Scratches are almost impossible to remove.

Performance Checklist

A qualified installer should carry out the following checks:

- Check top surface elements—glow red when turned on.
- Check hot surface indicator lights—glow red when corresponding element is on.

Service & Registration

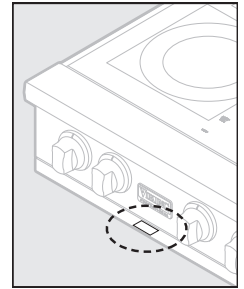
Only authorized replacement parts may be used in performing service on the appliance.

All servicing should be referred to a qualified technician.

Contact Viking Range Corporation, 1-888-VIKING1 (845-4641), for the nearest service parts distributor in your area or write to:

VIKING RANGE, LLC
PREFERRED SERVICE
111 Front Street
Greenwood, Mississippi 38930 USA

Rangetop – The serial number and model number for your appliance can be found by looking under the control panel.



Record the information indicated below. You will need it if service is ever required.

Model number _____

Serial number _____

Date of purchase _____ Date installed _____

Dealer's name _____

Address _____

These installation instructions should remain with the unit for future reference

Viking Range, LLC
111 Front Street
Greenwood, Mississippi 38930 USA
(662) 455-1200

For product information,
call 1-888-(845-4641) or
visit our web site at vikingrange.com.