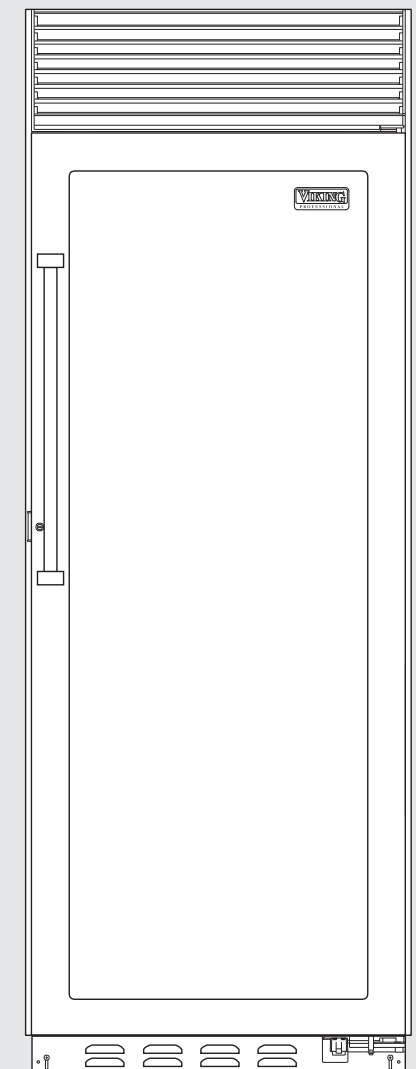


Viking Installation Guide



Viking Range Corporation
111 Front Street
Greenwood, Mississippi 38930 USA
(662) 455-1200

For product information,
call 1-888-VIKING1 (845-4641)
or visit the Viking Web site at
vikingrange.com



Professional/Custom Panel
Built-In Full Height Wine Cellar



Table of Contents

Warnings & Important Information _____	3
Dimensions _____	6
Specifications _____	7
Cutout Dimensions (Professional/Custom) _____	8
Cabinet Information (Professional) _____	9
Cabinet Information (Professional w/flush mount trim) _____	12
Cabinet Information (Custom Panel) _____	15
Custom Side Panel Dimensions (Professional/Standard Mount) _____	18
Custom Side Panel Dimensions (Custom Panel/Professional w/flush mount trim) _____	19
Custom Door Panel Dimensions _____	20
Door Panel Installation (Custom Panel) _____	21
Custom Wood Facing Dimensions _____	22
General Information _____	24
Unpacking & Moving _____	25
Home Security System Connection _____	26
Securing Your Wine Cellar _____	27
Kickplate Installation _____	29
Door Stop/Hinge Adjustment _____	30
Performance Checklist _____	31
Service & Registration _____	32




IMPORTANT—Please Read and Follow!

- Make sure that incoming voltage is the same as unit rating. An electric rating plate specifying voltage, frequency, wattage, amperage, and phase is attached to the product.
 - To reduce the risk of fire, electric shock, or injury to persons, installation work and electrical wiring must be done by qualified people in accordance with all applicable codes and standards, including fire-rated construction.
 - The installer should leave these instructions with the consumer who should retain them for local inspector's use and for future reference.
- It is your responsibility to:**
- Comply with installation specifications and dimensions
 - Properly install unit
 - Remove any moldings or decorative panels that prevent the unit from being serviced
 - Assure that floor will support unit, door panels and contents (approximately 1200 lbs/540 kg)
 - Provide a properly grounded electrical outlet
 - Assure that location will permit appliance doors to open 90° minimum

Your safety and the safety of others is very important.

We have provided many important safety messages in this manual and on your appliance. Always read and obey all safety messages.

 This is the safety alert symbol. This symbol alerts you to hazards that can kill or hurt you and others.

All safety messages will be preceded by the safety alert symbol and the word "DANGER" or "WARNING." These words mean:

DANGER

Hazards or unsafe practices which WILL result in severe personal injury or death.

WARNING

Hazards or unsafe practices which COULD result in severe personal injury or death.

CAUTION

Hazards or unsafe practices which COULD result in minor personal injury or property damage.


All safety messages will identify the hazard, tell you how to reduce the chance of injury, and tell you what can happen if the instructions are not followed.

IMPORTANT—Please Read and Follow!

⚠ WARNING

ELECTRICAL SHOCK HAZARD

Disconnect power or turn power disconnect switch to OFF position before removing top grille. Failure to do so can result in death or electrical shock.



⚠ WARNING

TIP OVER HAZARD

Appliance is top heavy and tips easily when not completely installed. Keep doors closed until appliance is completely installed and secured per installation instructions.



Use two or more people to move and install appliance. Failure to do so can result in death or serious injury.

Most of the unit's weight is at the top. Extra care is needed when moving the unit to prevent tipping. Use cardboard shipping material or plywood under unit until it is installed in the operating position to protect floor surface.

IMPORTANT—Please Read and Follow!

A GFI shall be used if required by NFPA-70 (National Electric Code), federal/state/local laws, or local ordinances.

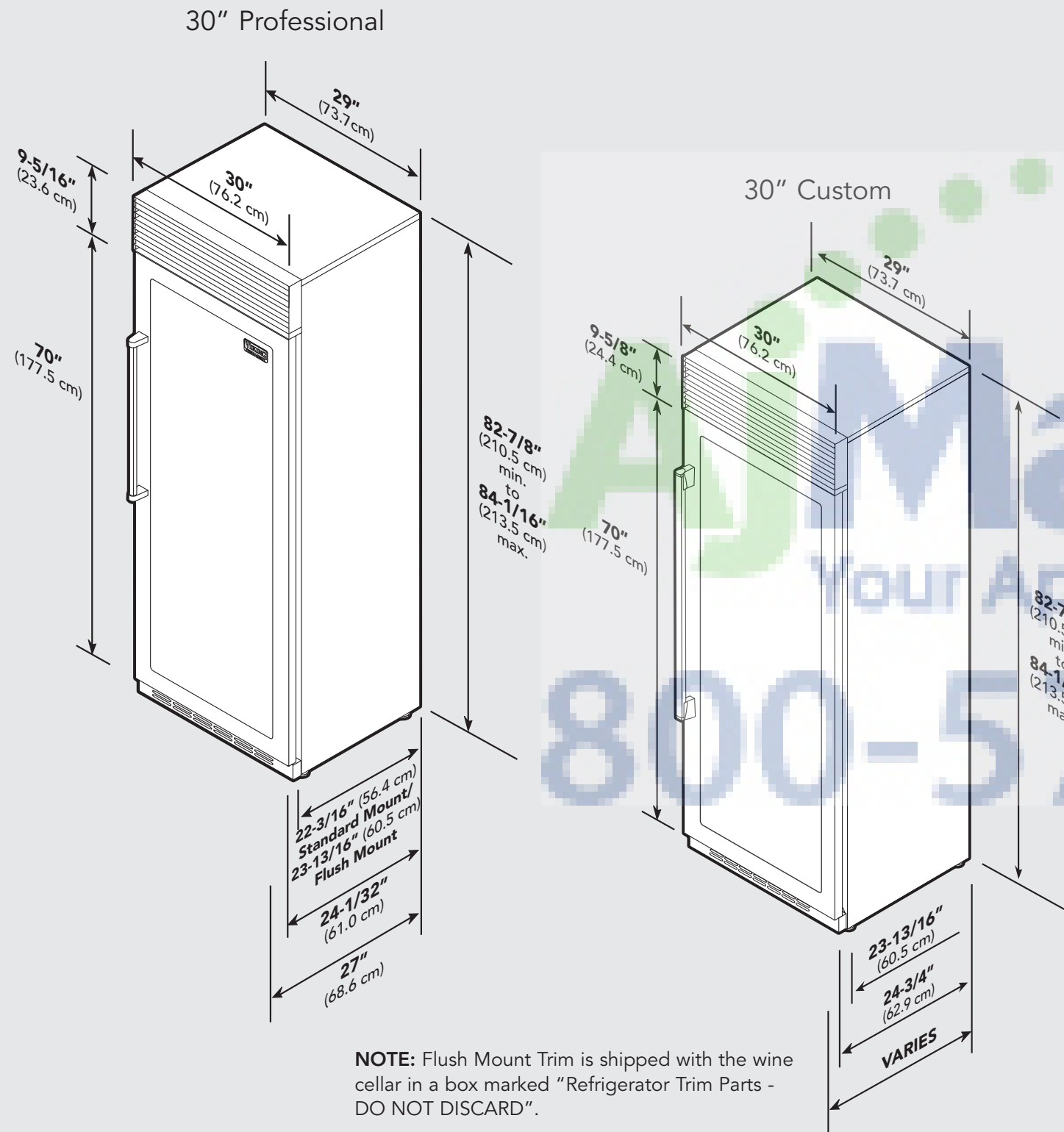
- The required use of a GFI is normally related to the location of a receptacle with respect to any significant sources of water or moisture.
- Viking Range Corporation will NOT warranty any problems resulting from GFI outlets which are not installed properly or do not meet the requirements below.

If the use of a GFI is required, it should be:

- Of the receptacle type (breaker type or portable type NOT recommended)
- Used with permanent wiring only (temporary or portable wiring NOT recommended)
- On a dedicated circuit (no other receptacles, switches or loads in the circuit)
- Connected to a standard breaker of appropriate size (GFI breaker of the same size NOT recommended)
- Rated for Class A (5 mA +/- 1 mA trip current) as per UL 943 standard
- In good condition and free from any loose-fitting gaskets (if applicable in outdoor situations)
- Protected from moisture (water, steam, high humidity) as much as reasonably possible

AJ Madison
Your Appliance Authority™
800-570-3355

Dimensions

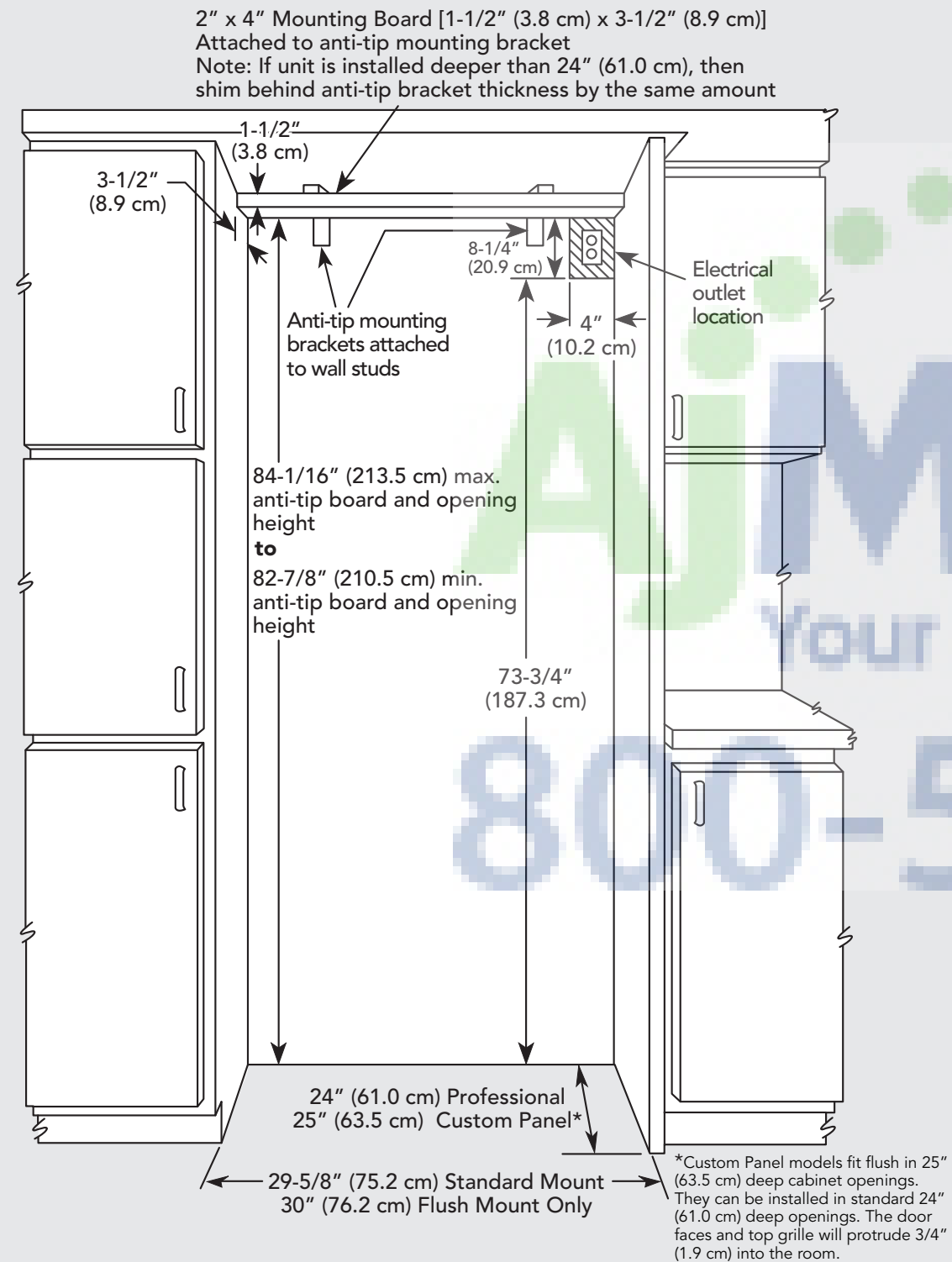


Specifications

Description	VCWB301/Standard Mount	VCWB301/Flush Mount
Overall width	30" (76.2 cm)	
Overall height from bottom	82-3/4" (210.2 cm) min. to 84-1/16" (213.5 cm) max.	
Overall depth from rear	To rear edge of side trim: 22-3/16" (56.4 cm) To front of door: 24-1/32" (61.0 cm) To end of handle bracket: 27" (68.6 cm)	23-13/16" (60.5 cm) To front of door: 24-1/32" (61.0 cm) To end of handle bracket: 27" (68.6 cm)
Cutout width	29-5/8" (75.2 cm)	
Cutout height	82-7/8" (210.5 cm) min. to 84-1/16" (213.5 cm) max.	
Cutout depth	24" (61.0 cm) min.	
Electrical requirements	115 volt, 60 Hz, 15 amp dedicated circuit; 3-wire cord with grounded 3-prong plug attached to product	
Maximum amp usage	2.3 amps	
Overall capacity	150 bottles	
Approximate shipping weight	560 lbs. (252 kg)	

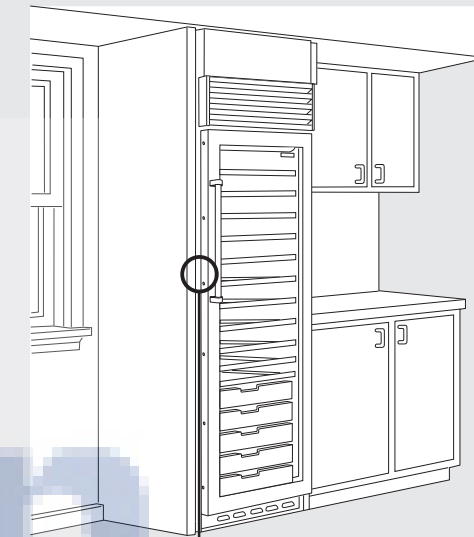
Description	FDWB301
Overall width	30" (76.2 cm)
Overall height from bottom	82-3/4" (210.2 cm) min. to 84-1/16" (213.5 cm) max.
Overall depth from rear	To front edge of side trim: 23-13/16" (60.5 cm) To front edge of cabinet side trim: 24-3/4" (62.9 cm) To front edge of door handle: Varies
Cutout width	30" (76.2 cm)
Cutout height	82-7/8" (210.5 cm) min. to 84-1/16" (213.5 cm) max.
Cutout depth	25" (63.5 cm) - can be installed in 24" (61.0 cm) deep openings; door faces and top grille will protrude 3/4" (1.9 cm) into room.
Electrical requirements	115 volt, 60 Hz, 15 amp dedicated circuit; 3-wire cord with grounded 3-prong plug attached to product
Maximum amp usage	2.3 amps
Overall capacity	150 bottles
Approximate shipping weight	560 lbs. (252 kg)

Cutout Dimensions (Professional/Custom)

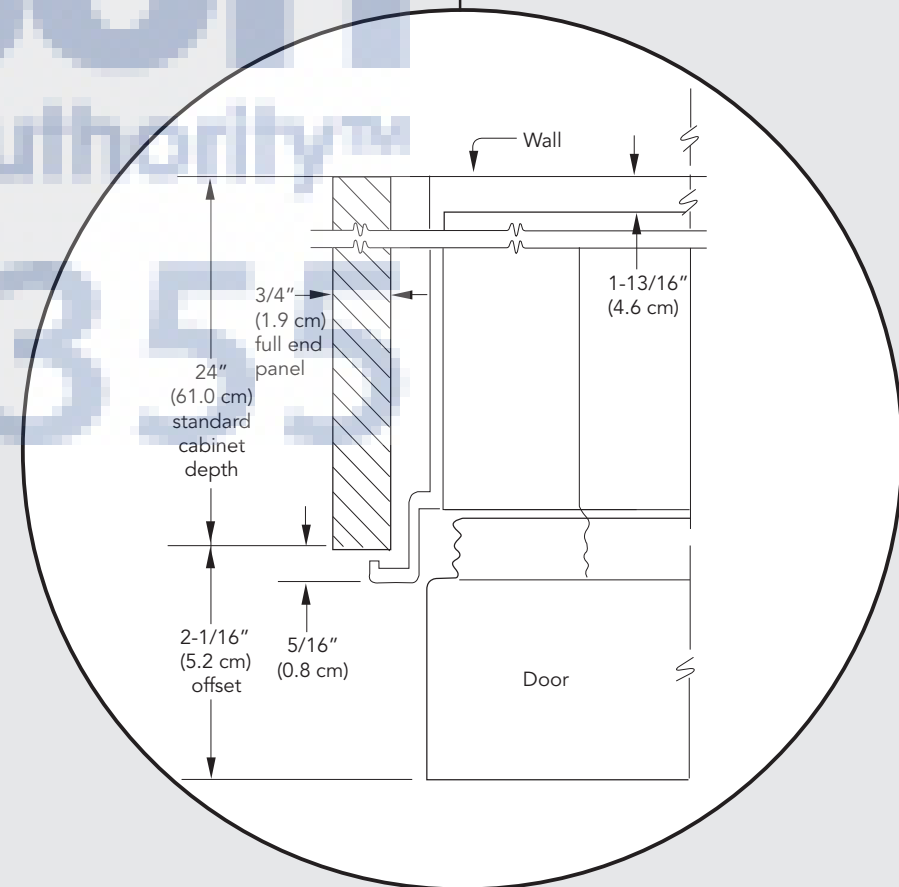


Cabinet Information (Professional)

Professional models fit "semi-flush" in standard 24" (61.0 cm) deep cabinet openings. The door face protrudes 2-1/16" (5.2 cm) from the cabinet face. The handle protrudes an additional 2-1/2" (6.4 cm) into the room.

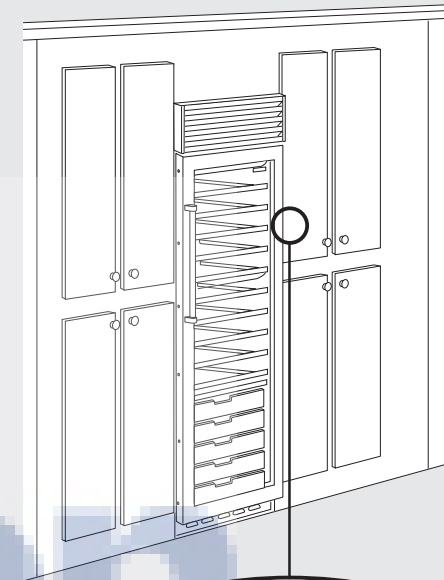
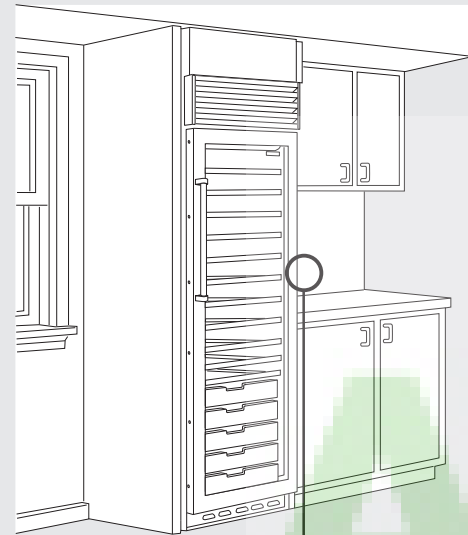


TOP VIEW

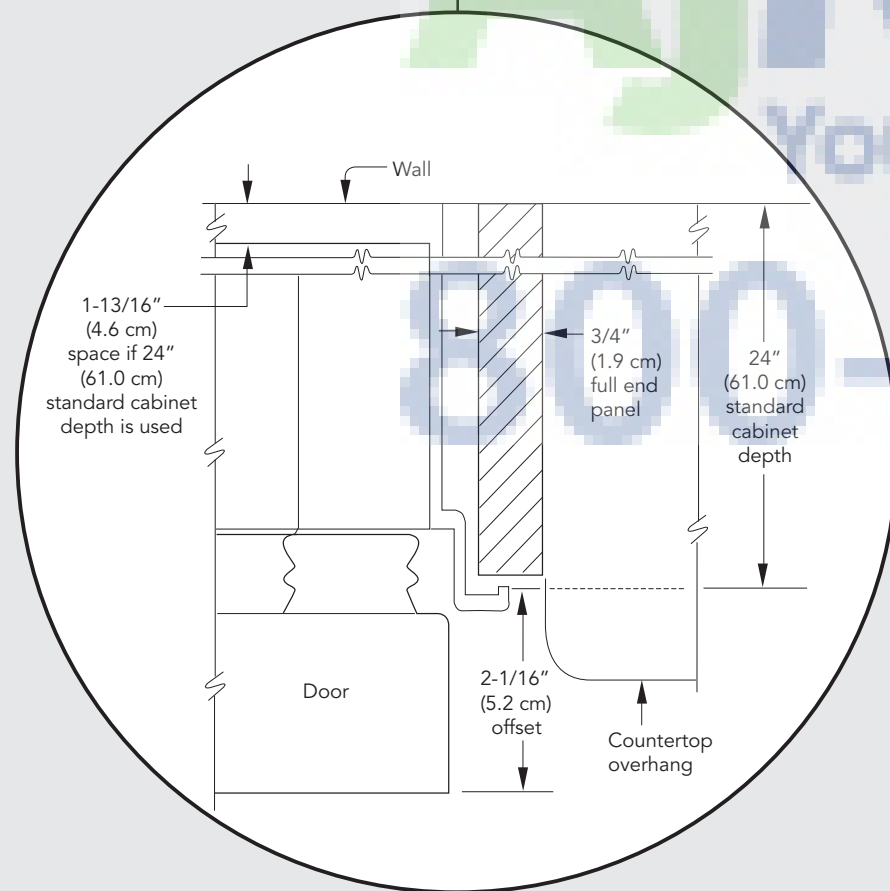


Cabinet Information (Professional)

Professional models fit "semi-flush" in standard 24" (61.0 cm) deep cabinet openings. The door face protrudes 2-1/16" (5.2 cm) from the cabinet face. The handle protrudes an additional 2-1/2" (6.4 cm) into the room.

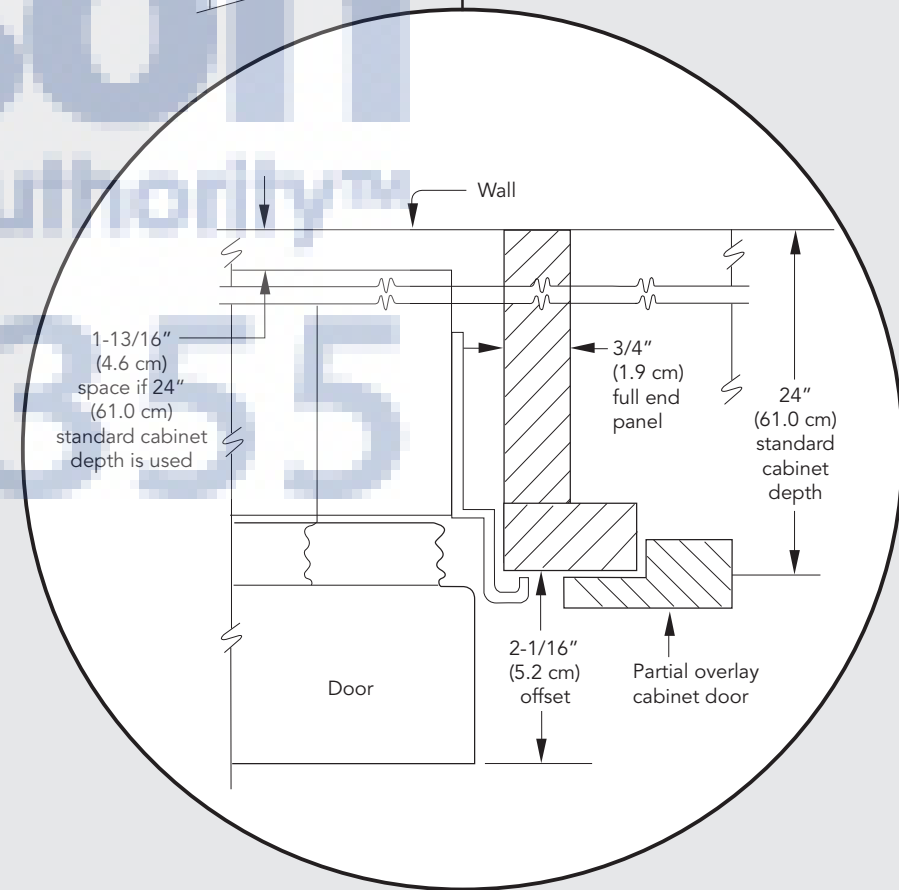


TOP VIEW



Cabinet Information (Professional)

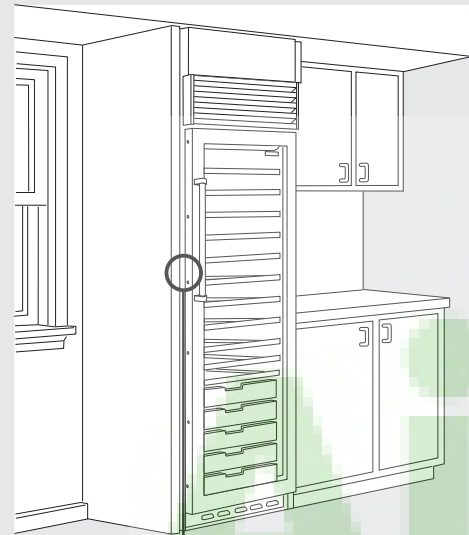
TOP VIEW



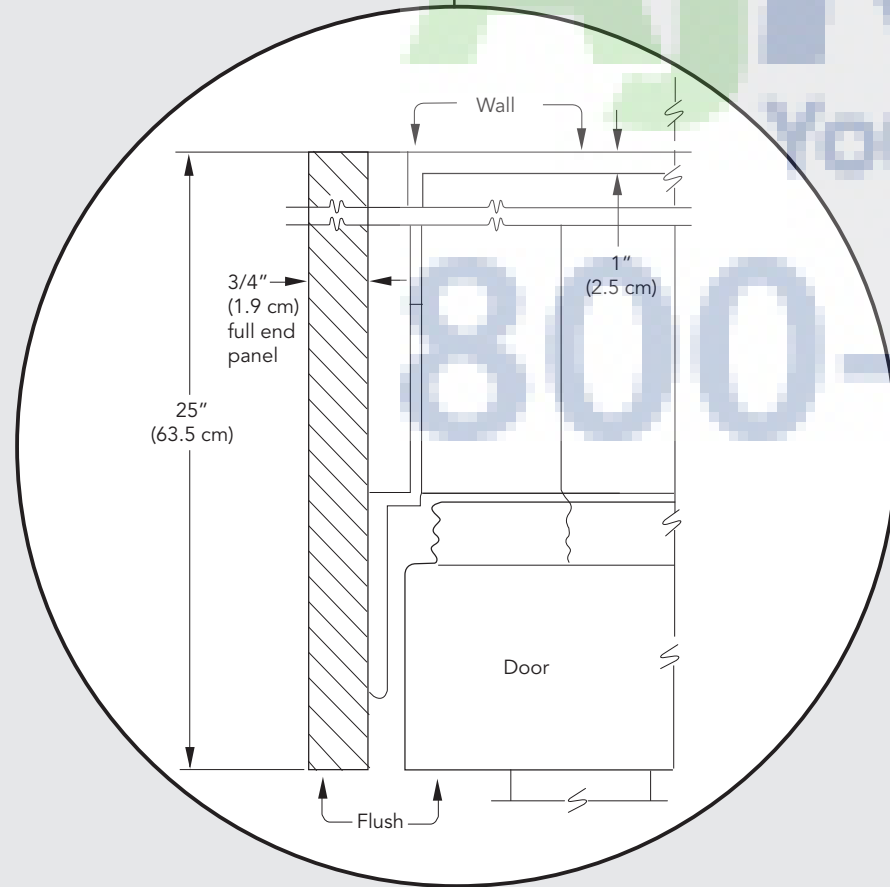
Cabinet Information

(Professional with Flush Mount Trim)

Professional models with Flush Mount Trim fit "flush" in standard 24" (61.0 cm) deep cabinet openings with no protrusion into the room except 2-1/2" (6.3 cm) handle depth.



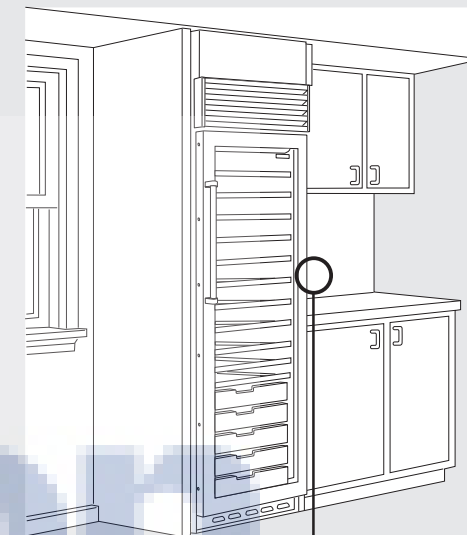
TOP VIEW



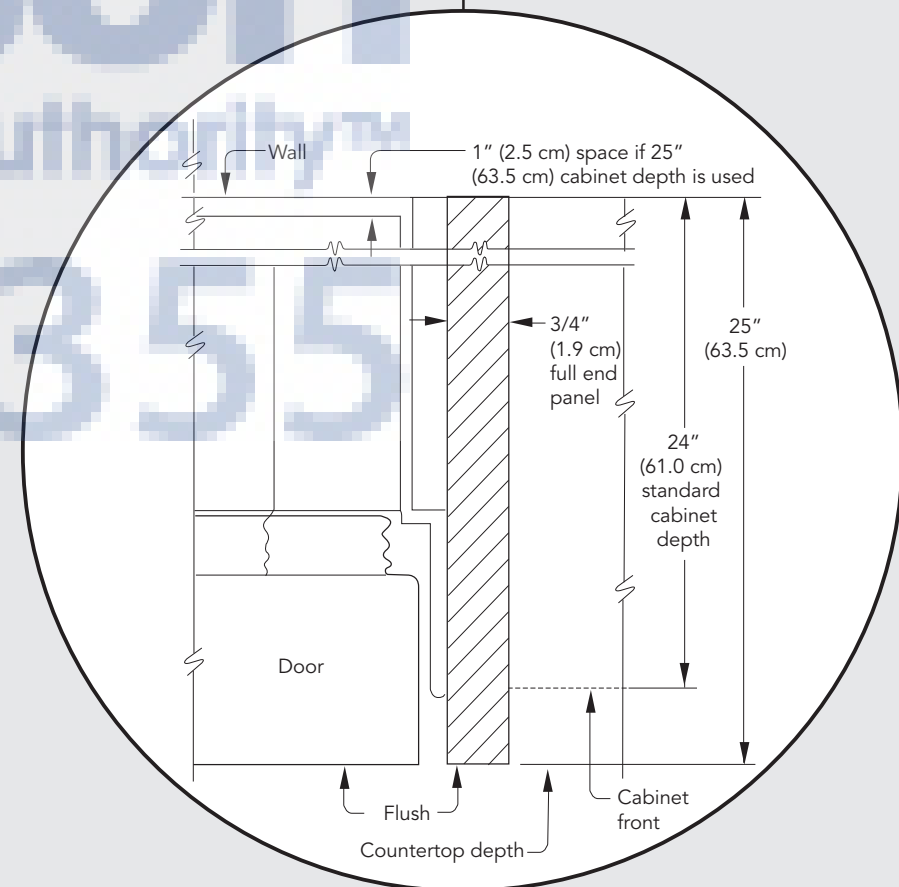
Cabinet Information

(Professional with Flush Mount Trim)

Professional models with Flush Mount Trim fit "flush" in standard 24" (61.0 cm) deep cabinet openings with no protrusion into the room except 2-1/2" (6.3 cm) handle depth.

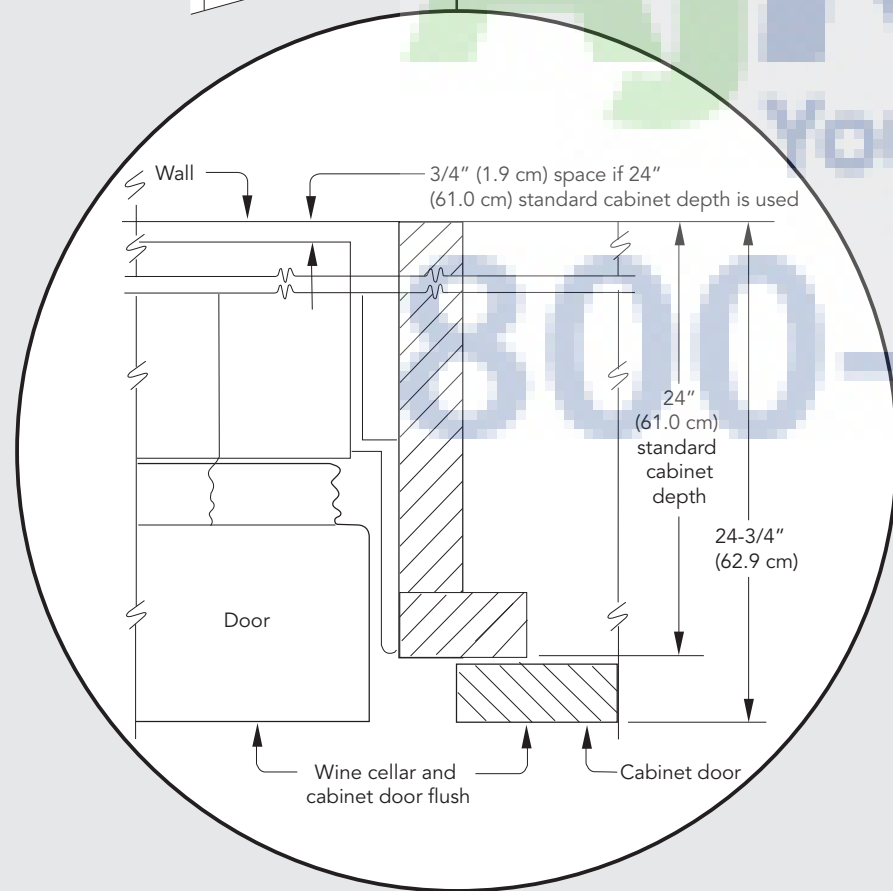
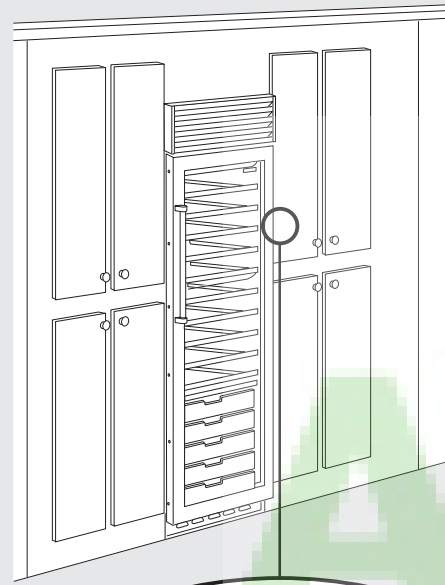


TOP VIEW



Cabinet Information

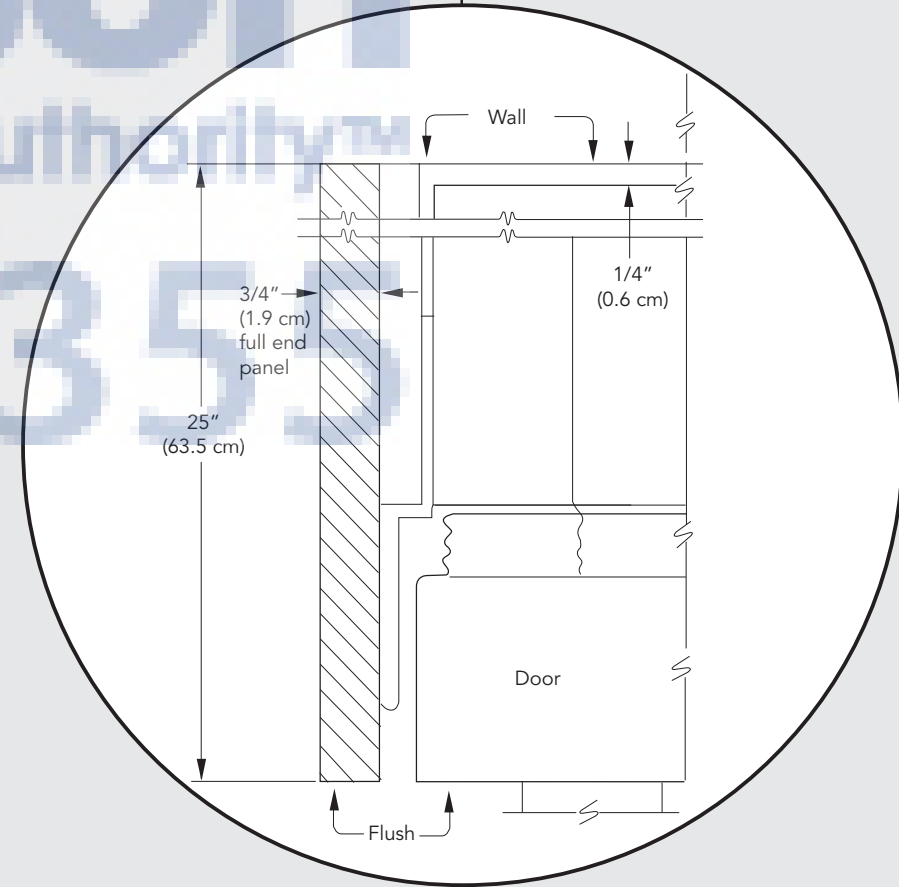
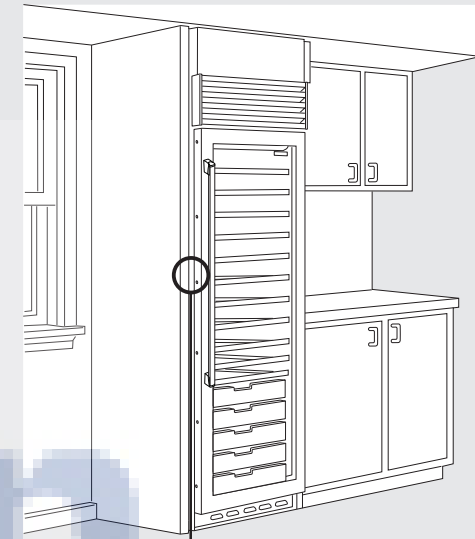
(Professional with Flush Mount Trim)



TOP VIEW

Cabinet Information (Custom Panel)

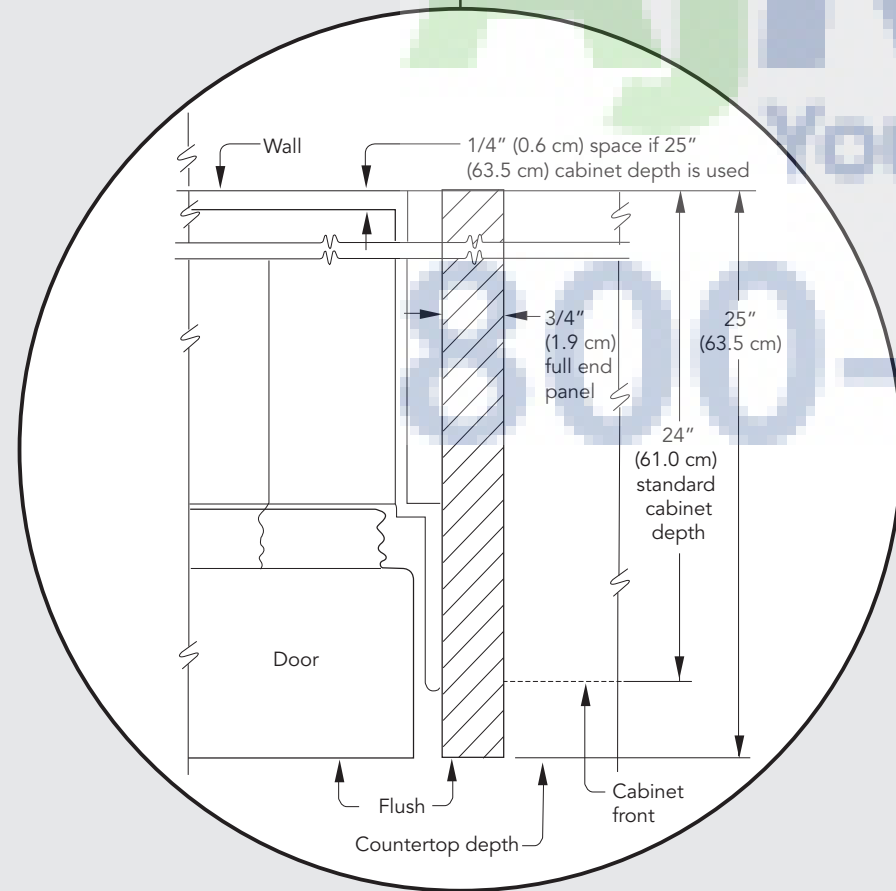
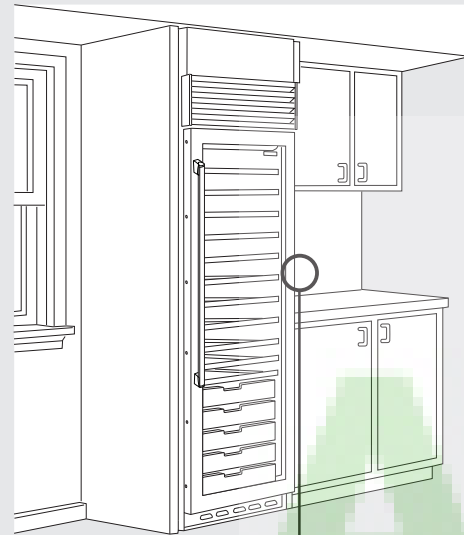
Custom Panel models, [3/4" (1.9 cm) thick panels and custom handles locally supplied], fit flush in 25" (63.5 cm) deep (countertop depth) cabinet openings with no protrusion into room except custom handles.



TOP VIEW

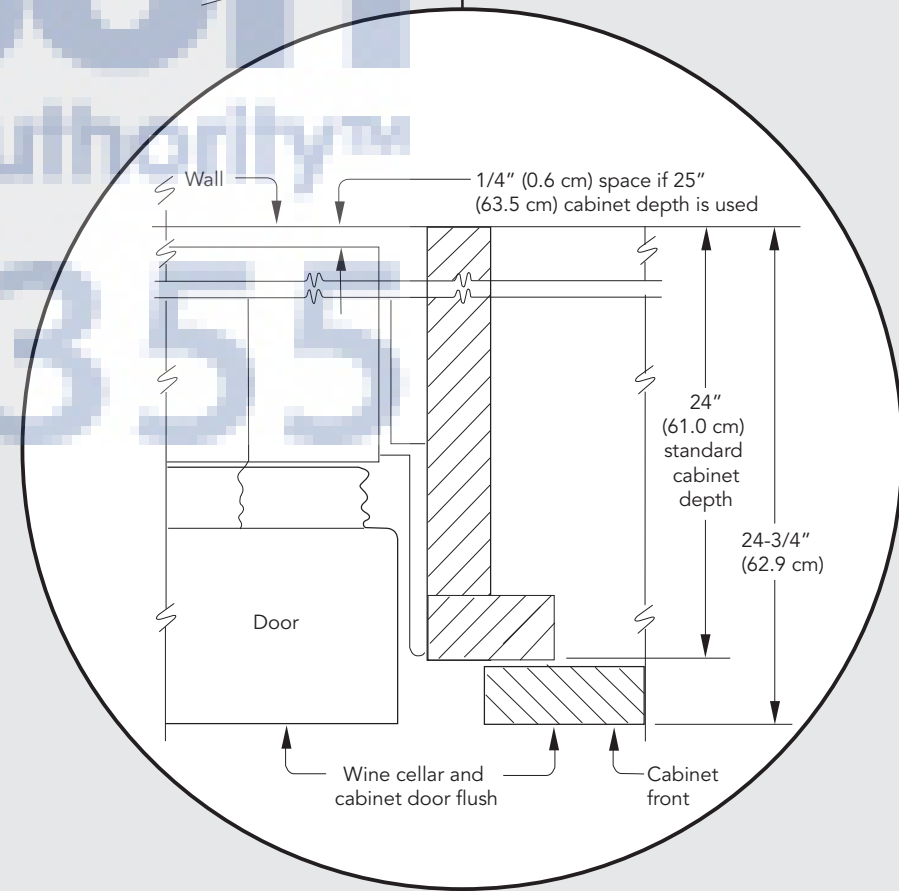
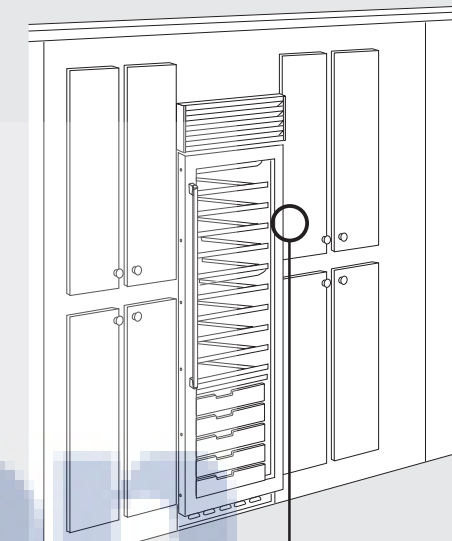
Cabinet Information (Custom Panel)

Custom Panel models, [3/4" (1.9 cm) thick panels and custom handles locally supplied], fit flush in 25" (63.5 cm) deep (countertop depth) cabinet openings with no protrusion into room except custom handles.



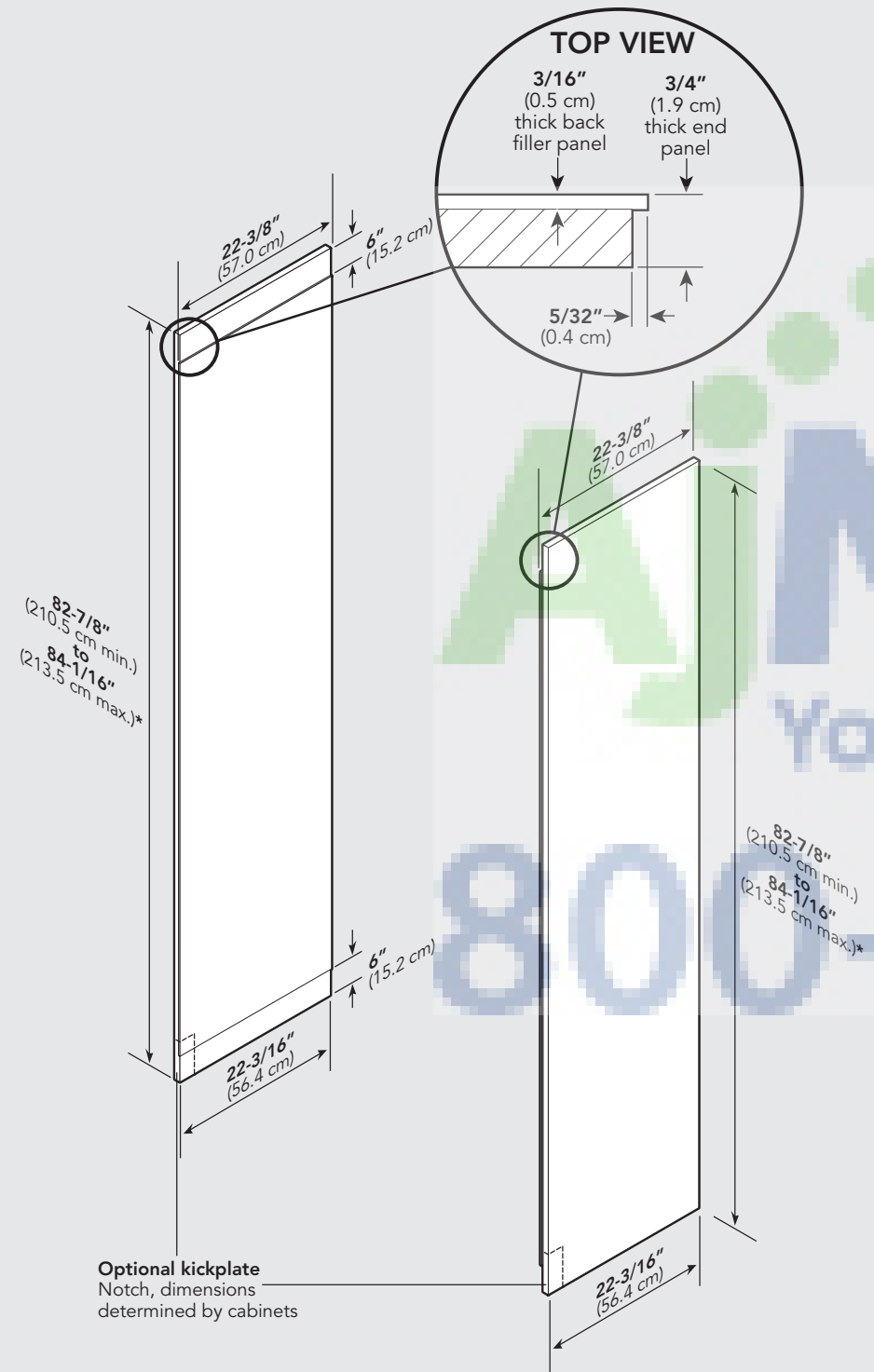
Cabinet Information (Custom Panel)

Custom Panel models can be installed in standard 24" (61.0 cm) deep openings. However, the door faces and top ventilation grille will protrude 3/4" (1.9 cm) into the room, ideal for alignment with full overlay cabinet doors.



Custom Side Panel Dimensions

(Professional - Standard Mount)

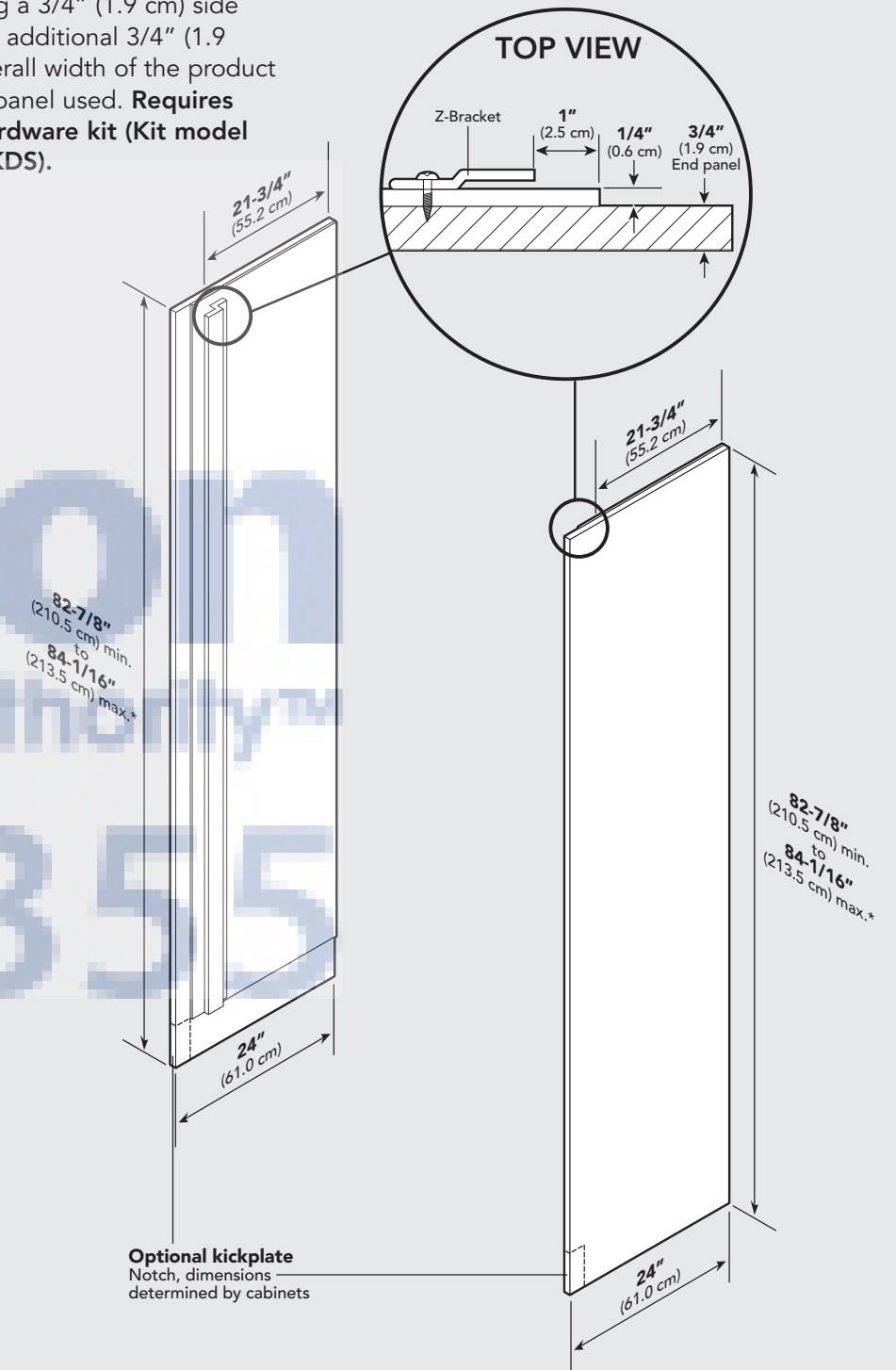


* Depending on how high leveling feet are raised, and cabinet enclosure height.

Custom Side Panel Dimensions

(Custom Panel/Professional with Flush Mount Trim)

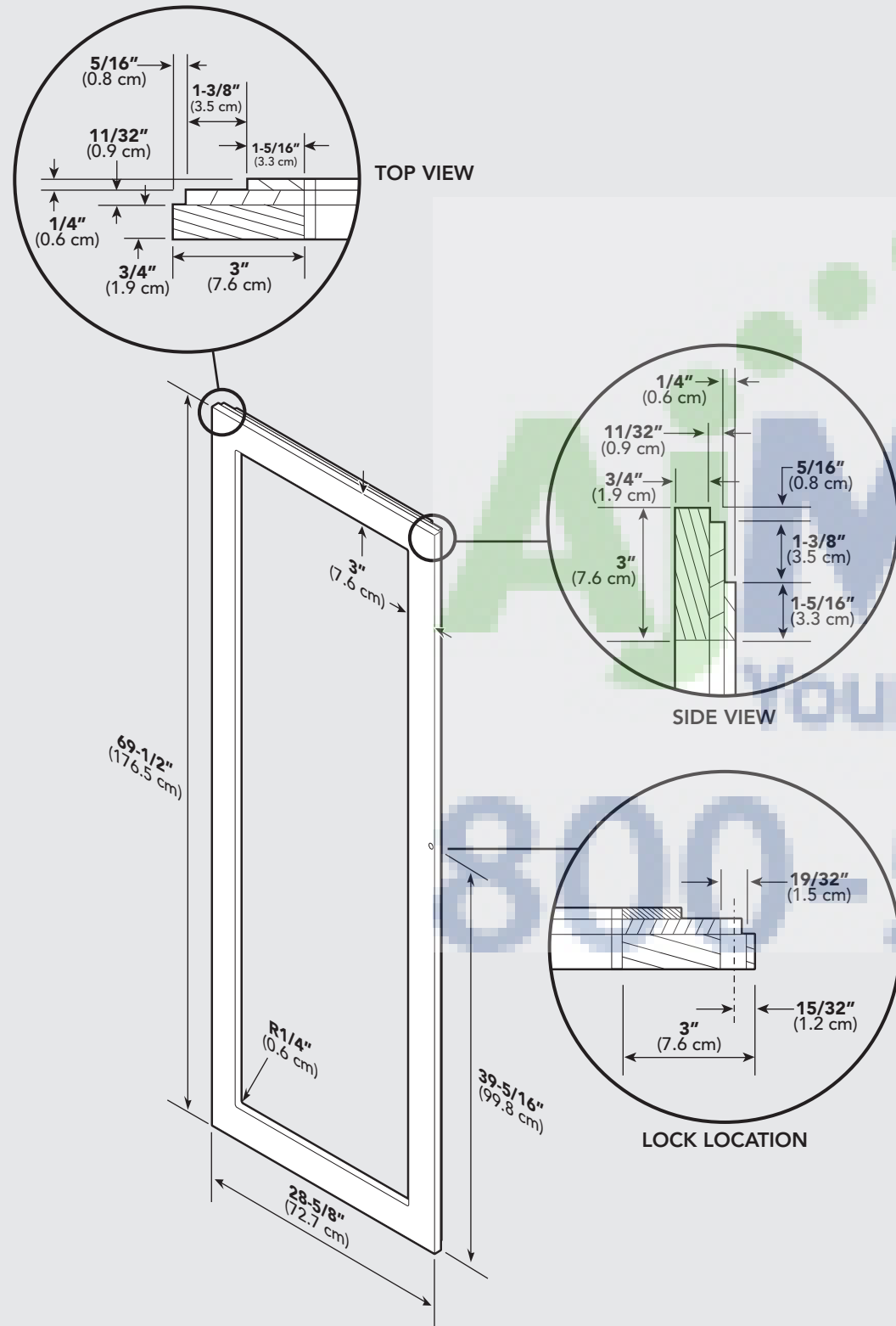
NOTE: Adding a 3/4" (1.9 cm) side panel adds an additional 3/4" (1.9 cm) to the overall width of the product for each side panel used. **Requires side panel hardware kit (Kit model number SPHKDS).**



* Depending on how high leveling feet are raised, and cabinet enclosure height.

Custom Door Panel Dimensions

Door Panel Installation (Custom Panel Model)



Panels must not weigh more than 50 pounds per door.

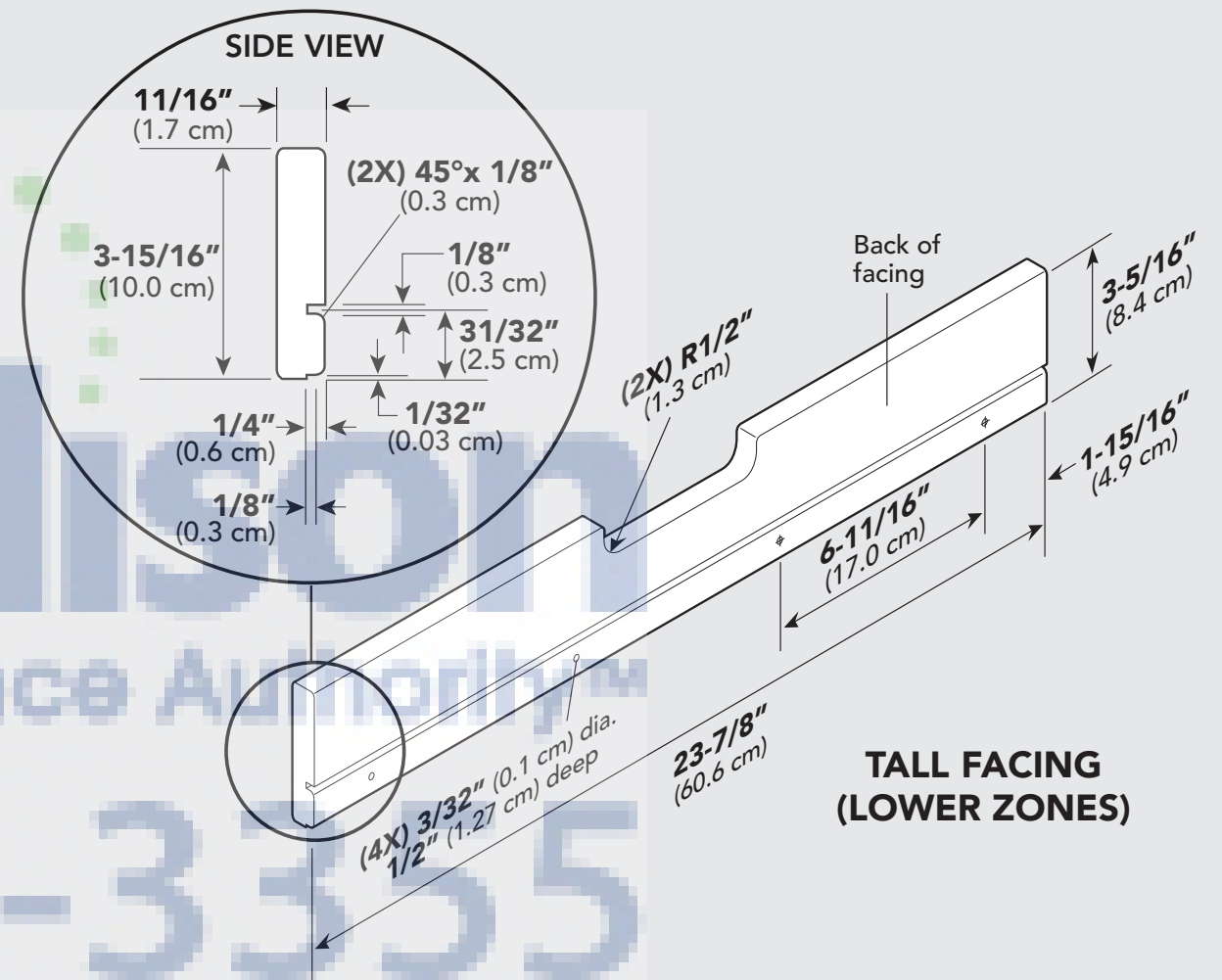
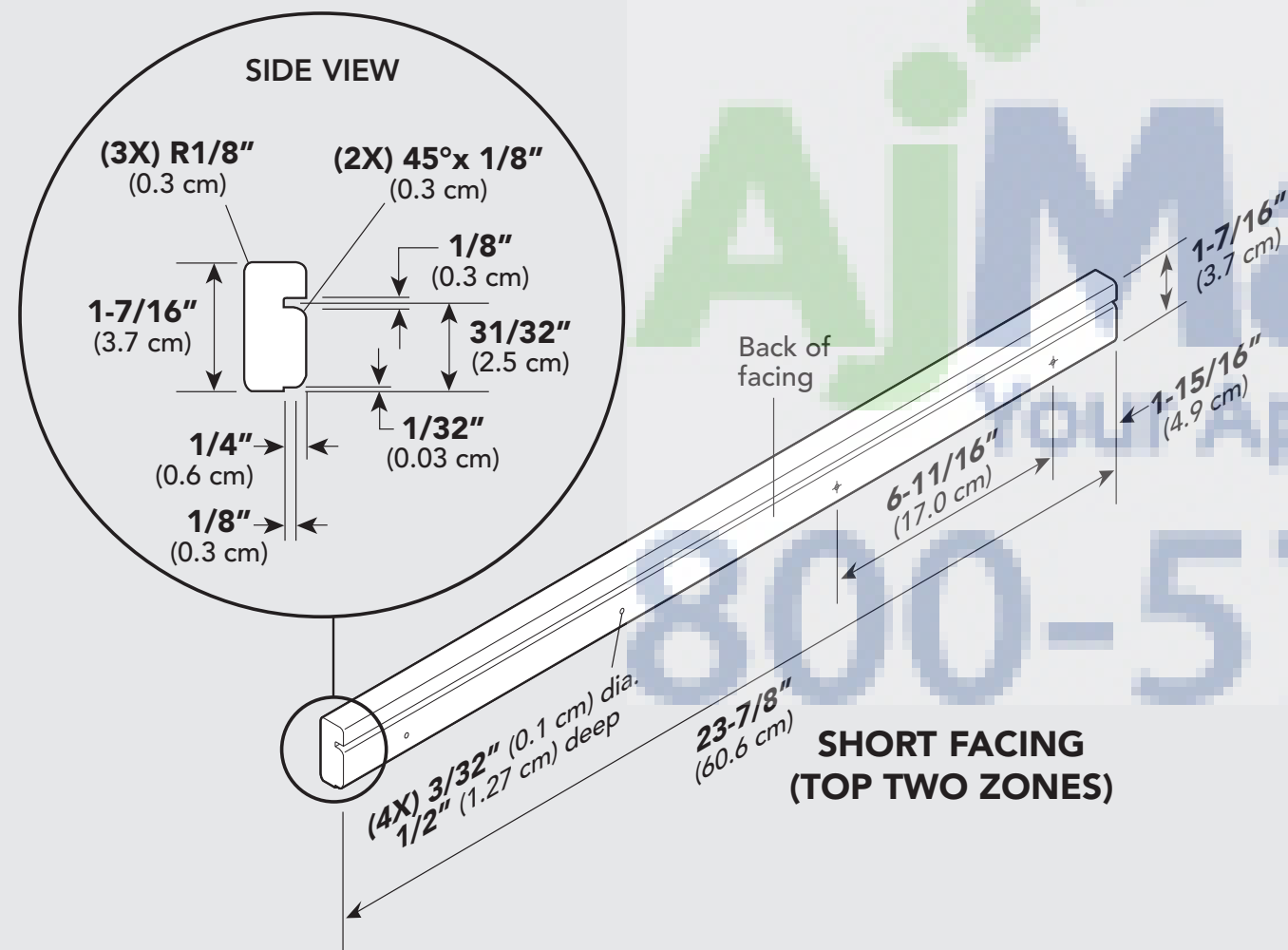
Pre-drill the holes in the panel per the panel dimension instructions. (See Panel Dimensions for proper hole locations.)

Place the panel onto the door and using $1/2''$ (1.3 cm) #8 wood screws, attach the panel in 12 places. (2 at the top and bottom, 4 on each side) **Note: The handle must be attached to the panel prior to installing the panel onto the door.** See panel dimensions for proper attachment locations of the handles.) Use the enclosed adhesive backed mylar pieces to cover the screws after installation of the panel.

Custom Wood Facing Dimensions

Each wine rack has a wood facing which can be removed. The facings can be stained, painted, or removed and replaced with alternative wood facings. **Note: A scrap sample should be tested in the unit before attaching permanent changes to your wine cellar fronts.** Some paints and/or stains can cause undesirable odors.

Remove the wood facing by removing the four 1/4" (0.6 cm) hex head screws located on the inner edge of the wine rack. Remove the wood facing. Follow the dimensions below to cut wood facing out of alternative woods.



AIMA
Appliance Authority
800-570-3355

General Information

Area Requirements

Verify the following:

- Unit can fit into residence and can be moved around corners and through doorways.
- Floors can support unit's weight plus wine weight (approximately 1200 lbs total).
- Rear wall is solid and is able to support two horizontally mounted 50x100 mm (included) bolted to two wall studs. The 50x100 mm board bolt heads must be flush with 50x100 mm to prevent obstruction.
- Remove anything attached to rear or side walls that can obstruct unit installation.
- Cutout dimensions are accurate.
- Electrical outlet is in correct location.
- Do not install a refrigeration unit near a heat source, nor in a location where the surrounding temperature will fall below 60° F.

Electrical Requirements

! WARNING

ELECTRICAL SHOCK HAZARD
 Plug into a grounded 3-prong outlet.
DO NOT remove ground plug.
DO NOT use an adapter.
DO NOT use an extension cord.
 Failure to follow these instructions could result in fire or electrical shock.

IMPORTANT: If the power cord is damaged, it must be replaced by a Viking qualified technician or a Viking Range Corporation representative in order to avoid hazard.

It is the customer's responsibility to:

- Contact a qualified electrical installer.

- Assure that the electrical installation is adequate and in conformance with the National Electrical Code, ANSI/NFPA 70- latest edition or Canadian Electrical Code C22.1-1998 and C22.2 No. 0-M91 (or latest edition), and all local codes and ordinances. (115 volt, 60-Hz, 15 amp, fused, electrical supply is required.) It is required that a separate circuit serving only this appliance be provided. This appliance is equipped with a power supply cord having a 3-prong grounding plug. To minimize possible shock hazard, the cord must be plugged into a mating 3-prong, grounding-type wall receptacle. **Do not use an extension cord.**

If codes permit a separate grounding wire to be used, it is recommended that a qualified electrician determine that the grounding path is adequate.

DO NOT ground to a gas pipe. Check with a qualified electrician if you are not sure the appliance is properly grounded.

Do not have a fuse in the neutral or grounding circuit.

Anti-Tip Requirements

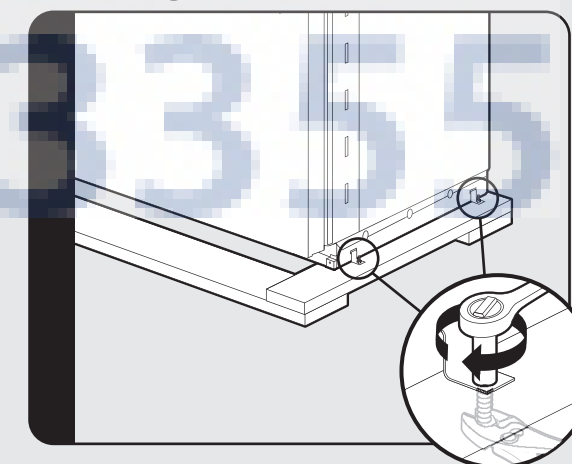
The anti-tip boards should be fastened into position prior to moving the unit into the opening.

NOTE: Additional mounting boards may be required if the unit does not touch the back wall of the enclosure. To prevent unit from tipping forward, it must be secured in place with a solid soffit or wood block.

General Information

- Most of the unit's weight is at the top. Extra care is needed when moving the unit to prevent tipping.
- Do not remove protective film until unit is in operating position.
- All four leveling legs must contact the floor to support and stabilize the full weight.
- Do not drop unit.
- Remove exterior shipping materials prior to moving unit into home, except door latching device.
- Use two or more people to move and install unit. Failure to follow this instruction can result in back or other injury.
- To avoid personal injury, wear gloves when performing any installation procedure and wear eye protection when cutting metal straps.

Moving Unit



Remove shipping brackets from skid by removing four bolts (two on each side) with a 1/2" deep-well socket wrench and a pair of pliers.

NOTE: Tilting unit is not required to remove shipping brackets.

! WARNING

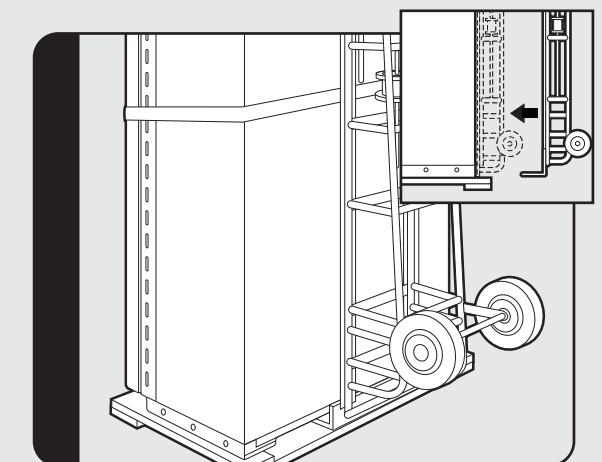
TIP OVER HAZARD
 Appliance is top heavy and tips easily when not completely installed. Keep doors closed until appliance is completely installed and secured per installation instructions.



Use two or more people to move and install appliance. Failure to do so can result in death or serious injury.

Unpacking Unit

1. Remove top and bottom strap.
2. Remove top cap.
3. Cut carton rear approximately 1/4" (0.6 cm) to 1" (2.5 cm) from right corner with a utility knife extended 1/4" (0.6 cm).
4. Remove carton and exterior packaging. Save cardboard shipping material to protect floor surface when installing unit. Remove anti-tip boards and kickplate from rear of unit.



Slip appliance dolly between unit and skid. Remove unit from skid. Only use dolly from the rear of the unit to remove unit from skid. After the unit is removed from the skid, a dolly can be used from either side or back but **NOT THE FRONT.**

NOTE: Use excess packaging to protect decorative trim; also, verify that leveling legs are up (0" adjustment).

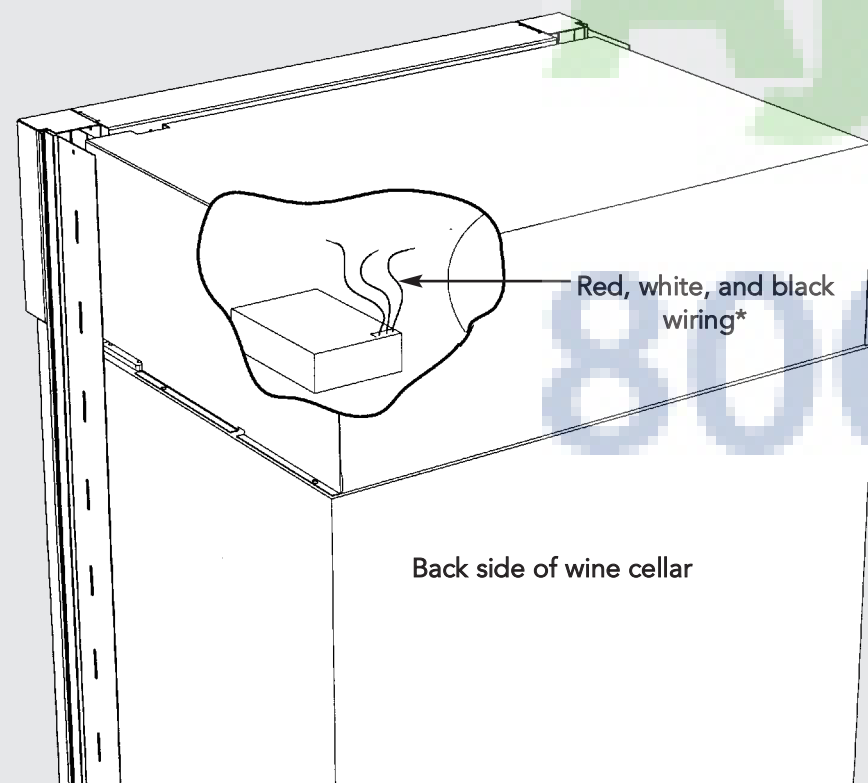
Home Security System Connection

NOTE: Contact a qualified electrician or authorized agent from alarm company to connect your home security system to the wine cellar.

Home security system connection must be hooked up before the unit is installed.

1. Remove the four mounting screws attaching the unit compartment cover to the cabinet. (2 per side)
2. Remove the grille louver assembly to access the black safety grille.
3. Turn power off.
4. Remove the four screws that attach the top grille assembly to the mounting brackets.
5. Remove the 3 screws at the right side of the unit that attach the safety grille to the compartment cover.
6. Choose the desired switching position and connect according to alarm system requirements.
7. Replace the unit compartment cover.

The home security system will be activated if temperatures in the wine cellar fluctuate outside of the set point by 5° for an extended time period.



*Black = common
 Red = normally closed
 White = normally open

Securing Your Wine Cellar (3 options)

⚠ WARNING

ELECTRICAL SHOCK HAZARD
 Disconnect power at breaker or turn power disconnect switch to OFF position before performing any installation procedure. Failure to do so can result in death or electrical shock.

OPTION 1

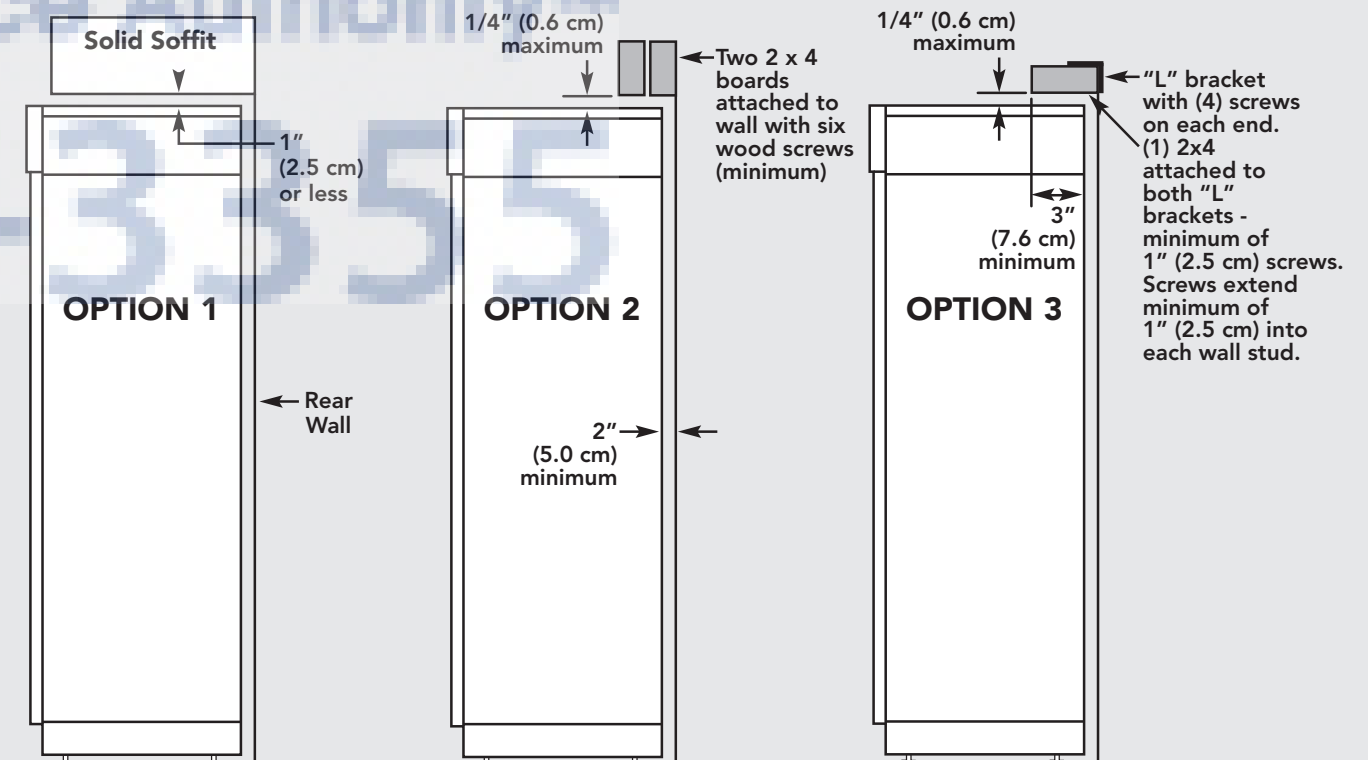
If a solid soffit is 1" (2.5 cm) or less above the wine cellar, anti-tip boards are not required. To secure the wine cellar raise unit until compartment is firmly seated under the soffit.

OPTION 2

If a solid soffit is not available or soffit is more than 1" (2.5 cm) above wine cellar, center wood boards on rear wall 1/4" (0.6 cm) maximum above wine cellar. Attach wood boards to wall studs with six of the provided wood screws, making sure that screws are engaged in wall studs 1-1/2" (3.8 cm) minimum and that boards extend 2" (5.0 cm) minimum over the top rear of wine cellar compressor cover. To secure the wine cellar, raise unit until compartment is firmly seated under the anti-tip board.

OPTION 3

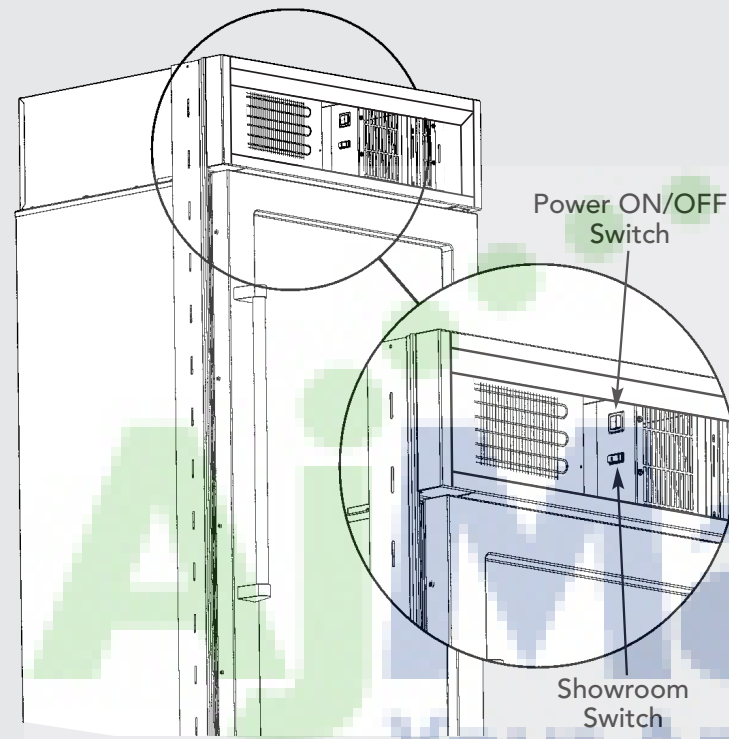
Position the wood block over the unit and secure it to wall studs using eight of the provided wood screws and "L" brackets. Make sure screws extend a minimum of 1" (2.5 cm) into each of the two wall studs. The wood block must extend a minimum of 3" (7.6 cm) over the unit. To secure the wine cellar, raise unit until compartment is firmly seated under the anti-tip boards.



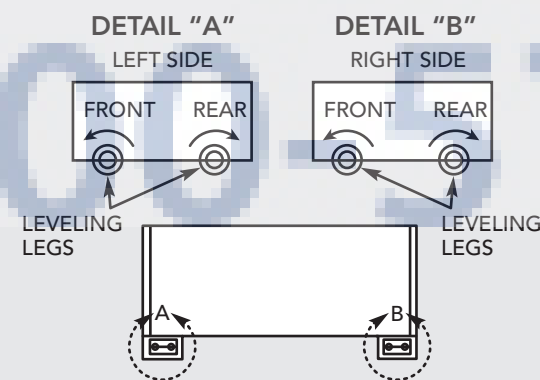
Securing Your Wine Cellar

Before moving the wine cellar in place, confirm the finished dimensions, electrical location, minimum door and shelf clearances, and door panel instructions.

1. Position wine cellar in front of cutout.
2. Verify operation by plugging power cord in receptacle. **Power switch will be shipped in the "ON" position and showroom switch will be in the "OFF" position.** (If showroom switch is switched to the "ON" position, showroom mode is engaged and power is shut-off to the compressor. This mode is for showroom display only).
3. Roll wine cellar into cutout to within 3" (7.6 cm) of being flush with cabinets. To avoid kitchen cabinet damage, place cardboard between cabinets and wine cellar. Push cardboard back with wine cellar and remove cardboard when wine cellar is in place.



4. Lift the wine cellar off the rollers, adjust to desired height and level wine cellar by using a 5/16" hex head wrench. (Refer to Figure at the right)
 - a) To raise/lower right side rear, rotate the right side rear hex rod.
 - b) To raise/lower the left side rear, rotate the left side rear hex rod.
 - c) To raise/lower the right side front, rotate the right side front hex rod.
 - d) To raise/lower the left side front, rotate the left side front hex rod.



NOTE: DO NOT use an electric driving device. Overtightening can cause damage.

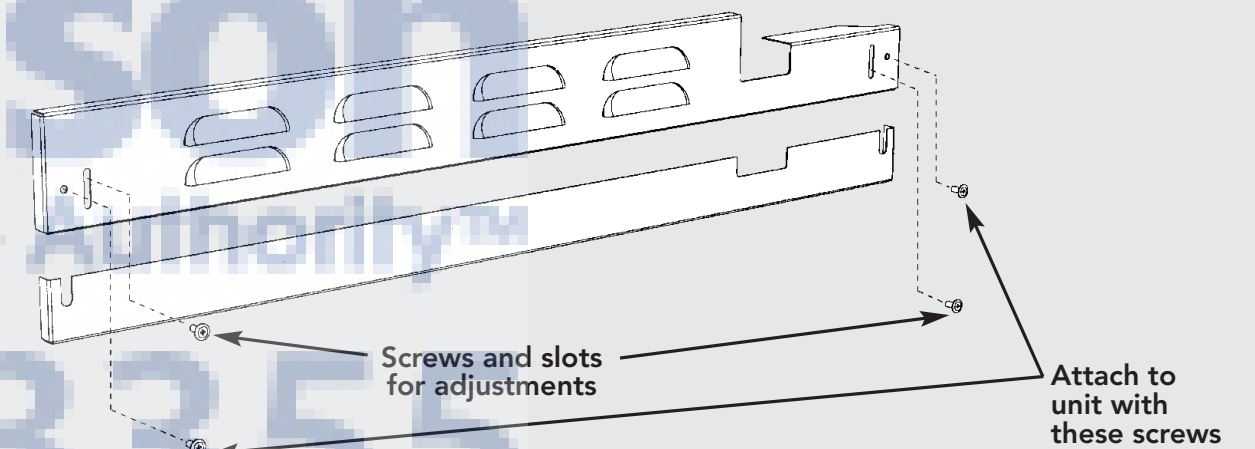
5. Align wine cellar with sides of cabinets by adjusting leveling legs. Rotate leveling legs until firmly in place against floor.
6. To secure wine cellar, raise unit until compartment cover is firmly seated under the soffit or anti-tip boards.
7. Open door. Control panel should be lit. Verify the position of the power on/off and showroom switch if there is no power to wine cellar.

Kickplate Installation

The kickplate consists of a two (2) part assembly: one top louvered panel and one bottom solid panel. Install the kickplate with louvered section on the top. Flooring must allow the kickplate to be removed.

To install:

1. Insert the bottom (solid) panel into the open end of the top (louvered) panel. The holes in the bottom panel should line up with the slots in the top panel.
2. Position the kickplate assembly along the front edge of the wine cellar.
3. Align the holes on both ends of the top (louvered) panel with the holes in the base of the wine cellar.
4. Attach the kickplate to the wine cellar on each side with the two black phillips head screws provided.
5. Adjust the bottom (solid) panel to the desired height and fasten in place by tightening the screws in the slots. There is approximately 1" (2.5 cm) of vertical adjustment on the kickplate.



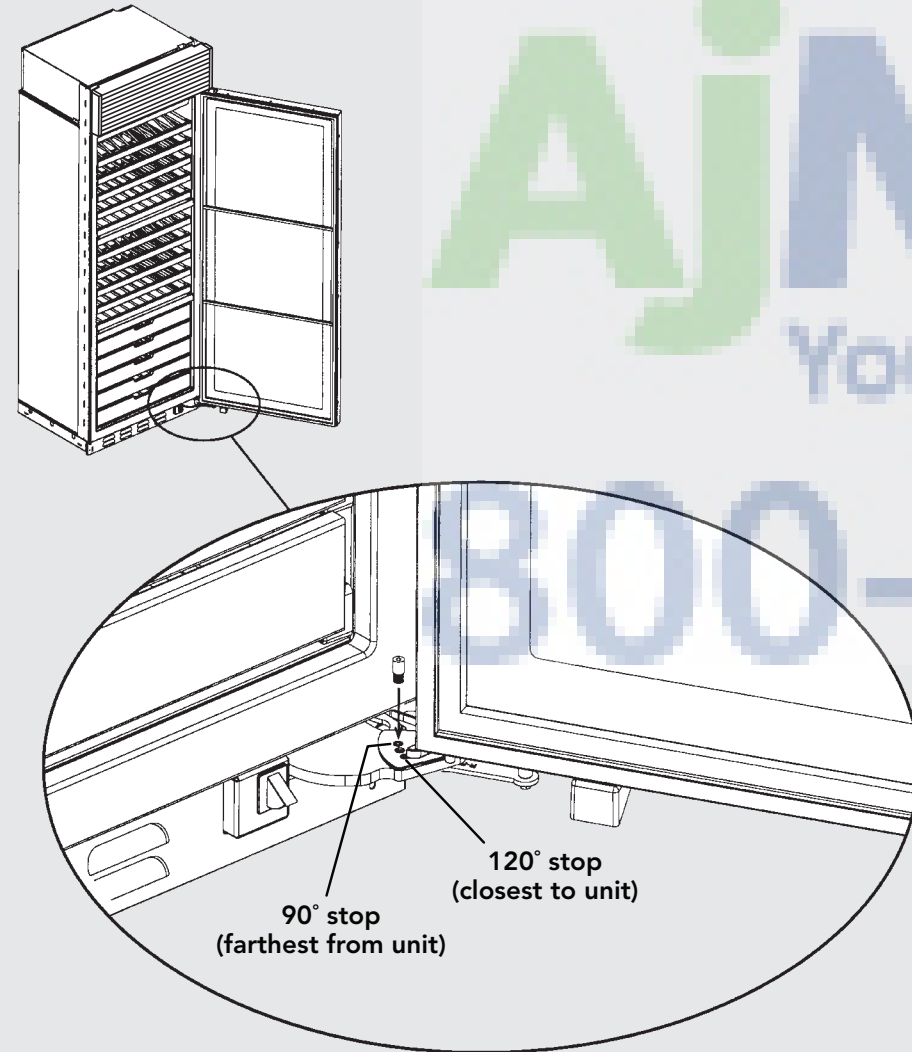
Door Stop/Hinge Adjustment

DOOR STOP

1. Using a 3/16" Allen wrench, remove door stop pin located in bottom hinge.
2. The pin is factory set 110°. For 120° swing, move the pin to the utmost forward stop hole. For 90° swing, move the pin to the utmost rear stop hole.

HINGE ADJUSTMENT

1. Using a 3/16" Allen wrench, remove the door stop pin located in bottom hinge.
2. Using the height adjustment shim as a wrenching device, rotate the height adjustment bushing counterclockwise to raise or clockwise to lower the location of the door.
3. When proper adjustment is reached, align shim with door stop pin holes and replace door stop pin. Firmly tighten pin in place.



Performance Checklist

- Verify cabinet size.
- Verify electrical supply and water supply (if applicable).
- Install anti-tip device(s) and verify unit is secure.
- Position unit in cutout, level at desired height and secure unit.
- Plug-in unit and verify operation.
- Align/square door(s).
- Install kickplate.
- Remove internal packaging and labels and wipe unit down.

Installer's information:

Installer's name: _____

Installer's company: _____

Date: _____



Service & Registration

If service is required, call your dealer or authorized service agency. The name of the authorized service agency can be obtained from the dealer or distributor in your area.

Have the following information readily available.

- Model number
- Serial number
- Date purchased
- Name of dealer from whom purchased

Clearly describe the problem that you are having. If you are unable to obtain the name of an authorized service agency, or if you continue to have service problems, contact Viking Range Corporation at (888) 845-4641 or write to:

**VIKING RANGE CORPORATION
PREFERRED SERVICE
1803 Hwy 82W
Greenwood, Mississippi 38930 USA**

The serial number and model number for your wine cellar are located on the right wall in the bottom zone.

Record the information indicated below. You will need it if service is ever required.

Model number _____

Serial number _____

Date of purchase _____

Date installed _____

Dealer's name _____

Address _____

If service requires installation of parts, use only authorized parts to insure protection under the warranty.

Keep this manual for future reference.



