

Viking Installation Guide

IMPORTANT–Please Read and Follow!

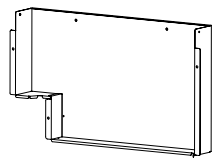
- Before beginning, please read these instructions completely and carefully.
- Be sure to DISCONNECT THE PLUG of the microwave oven from the electrical outlet before installing the built-in trim kit. Remove the turntable from the oven cavity.
- Because the kit includes metal parts, caution should be used in handling and installation to avoid the possibility of injury.
- Do not remove permanently affixed labels, warnings, or plates from the product. This may void the warranty.
- Please observe all local and national codes and ordinances.
- **The installer should leave these instructions with the consumer who should retain for local inspector's use and for future reference.**
- This built-in trim kit is designed for use ONLY WITH VIKING COMBI STEAM/CONVECT™ OVEN.
- Your oven can be built into a cabinet or wall or above any electric wall oven, gas wall oven or warming drawer.
- NOTE: The bottom of the cut-out opening for built-in use must be 36 inches (915 mm) or higher from the floor.
- The electrical requirements for this oven are 120 volts, 15 amps. The oven has a 5-15 plug and requires a 5-15 receptacle.
- PLEASE READ THESE INSTRUCTIONS THOROUGHLY BEFORE BEGINNING INSTALLATION!

	HEIGHT	WIDTH	DEPTH
Cabinet or wall opening	19" - 19 1/8" (482 mm - 486 mm)	28" (712 mm)	23 1/4" minimum (509.5 mm minimum)
Built-in kit frame assembly	22 1/8" (562.1 mm)	29 1/2" (749.3 mm)	
Combi Steam/Convect™ Oven	17 1/4" (438 mm)	21 3/4" (553 mm)	18 3/8" (468 mm)

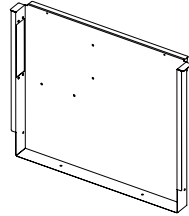
Combi Steam/Convect™ Oven and Built-In Trim Kit

Provided Parts

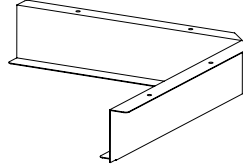
Parts Included in VTKS300 kits



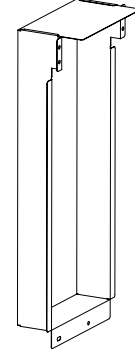
EXHAUST DUCT BACK
QTY 1



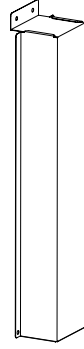
EXHAUST DUCT UPPER
QTY 1



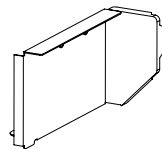
RECTIFIER PLATE L
QTY 1



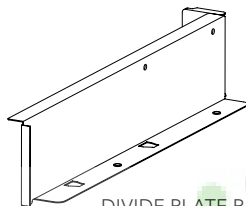
EXHAUST DUCT LEFT
QTY 1



EXHAUST DUCT RIGHT
QTY 1



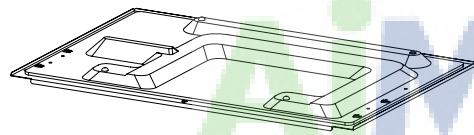
DIVIDE PLATE L
QTY 1



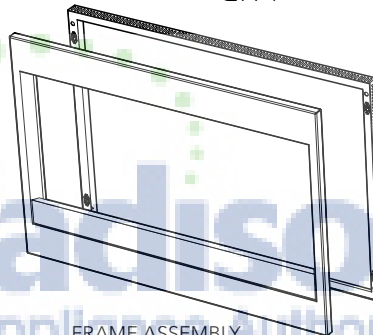
DIVIDE PLATE R
QTY 1



REAR SPACER
QTY 1



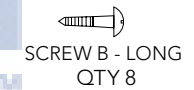
EXHAUST DUCT BOTTOM
QTY 1



FRAME ASSEMBLY
QTY 1



SCREW A - SHORT
QTY 23



SCREW B - LONG
QTY 8

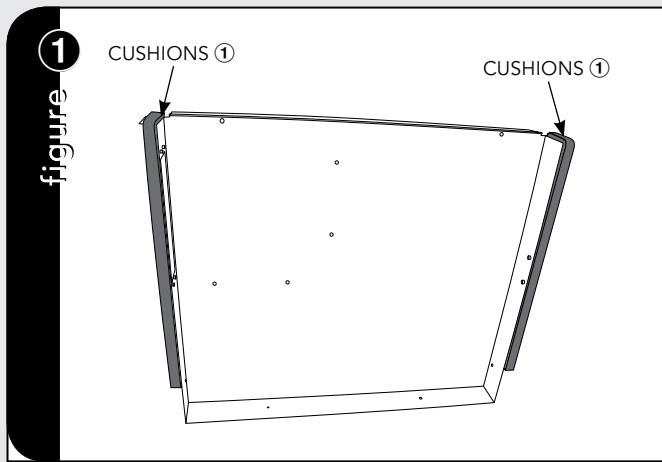
800-570-3355

Part Name	Qty
Exhaust Duct Back PDUC-B107WRWZ	1
Exhaust Duct Upper PDUC-B105WRWZ	1
Divide Plate L PSKR-A486WRWZ	1
Divide Plate R PSKR-A487WRWZ	1
Rectifier Plate L PSKR-A484WRWZ	1
Exhaust Duct Left PDUC-B108WRWZ	1
Exhaust Duct Right PDUC-B117WRWZ	1
Exhaust Duct Bottom PDUC-B106WRWZ	1
Frame Assembly DDECAB012MRK0	1

Part Name	Qty
Screw (A) XHTS740P08000	23
Screw (B) XMMS841P13000	8
Rear Spacer PSPAFA003WRWZ	1
Cushion ① 5/8" x 16", 15 mm x 405 mm PCUS-A245WRPZ	1
Cushion ② 1/4" x 24-3/8", 5 mm x 618 mm PCUS-A247WRPZ	1
Cushion ③ 1-1/8" x 27-1/8", 30 mm x 689 mm PCUS-A249WRPZ	1
Cushion ④ 1/4" x 12", 5 mm x 305 mm PCUS-A251WRPZ	1
Cushion ⑤ 1/4" x 15", 5 mm x 382 mm PCUS-A253WRPZ	1

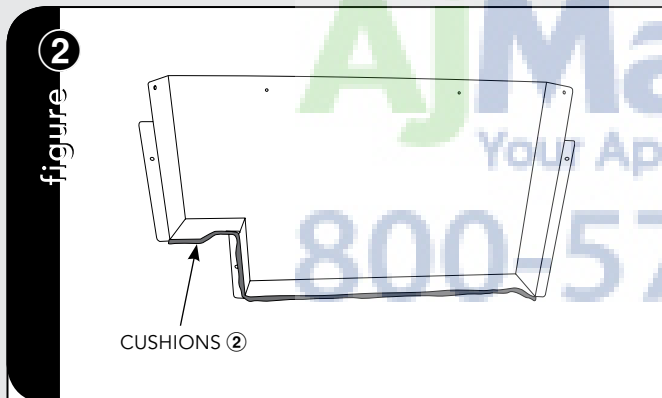
Preparation

Follow the directions from 1 to 5 to attach cushions to some parts.



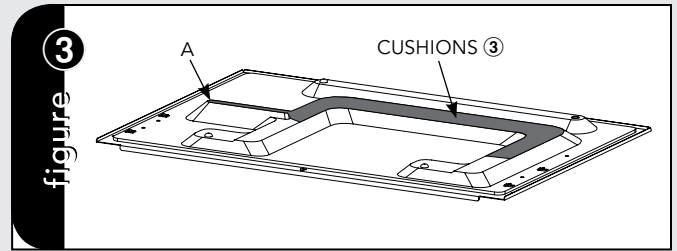
1. EXHAUST DUCT UPPER

Remove the backing paper from each CUSHION ①. Attach the CUSHIONS ① to each side flange of the EXHAUST DUCT UPPER as shown in the Figure 1.



2. EXHAUST DUCT BACK

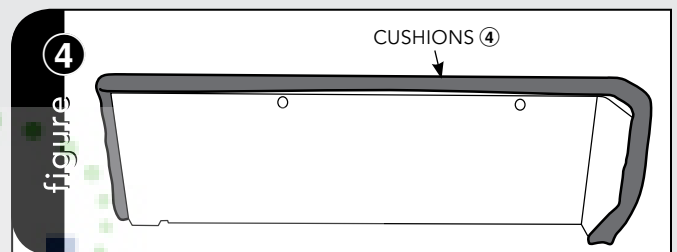
Remove the backing paper from CUSHION ②. Attach the CUSHIONS ② at the lower flange of the EXHAUST DUCT BACK as shown in the Figure 2.



3. EXHAUST DUCT BOTTOM

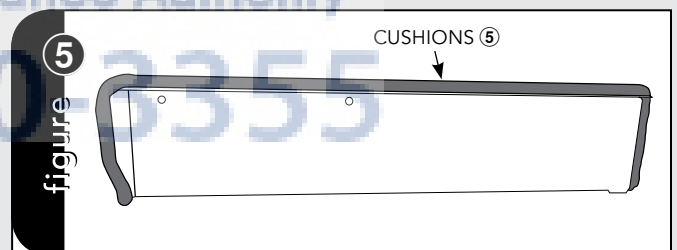
Remove the backing paper from CUSHION ③. Attach the CUSHIONS ③ to the EXHAUST DUCT BOTTOM as shown in the Figure 3.

* Start A to attach the CUSHION.



4. DIVIDE PLATE L

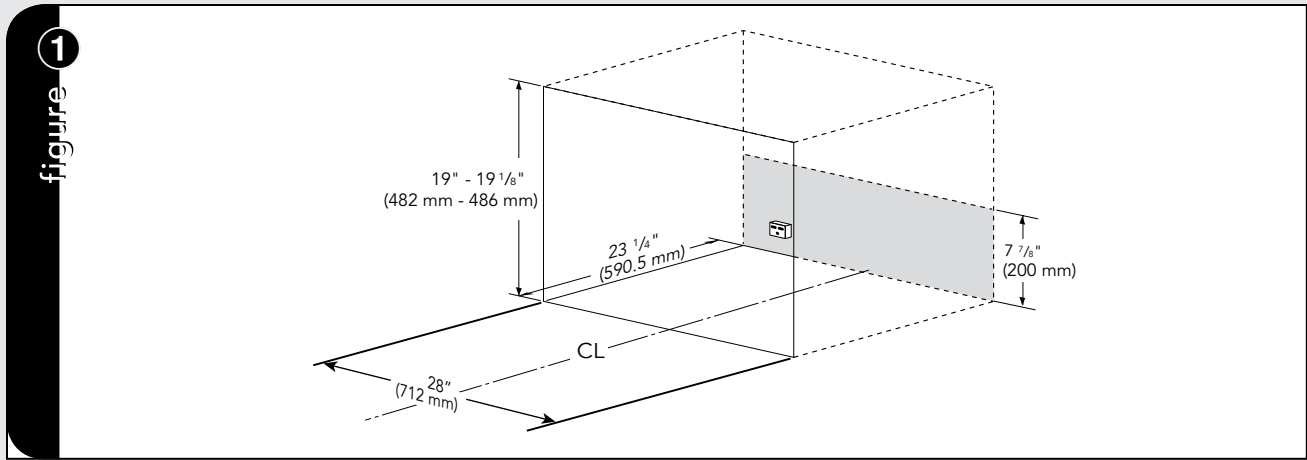
Remove the backing paper from CUSHION ④. Attach the CUSHIONS ④ to the DIVIDE PLATE L as shown in the Figure 4.



5. DIVIDE PLATE R

Remove the backing paper from CUSHION ⑤. Attach the CUSHIONS ⑤ to the DIVIDE PLATE R as shown in the Figure 5.

Installation



STEP 1: CABINET OR WALL OPENING

Provide an opening in the wall or cabinet shown in Figure 1.

The depth should be minimum 23 1/4" (590.5 mm). The floor of the opening should be constructed of plywood strong enough to support the weight of the oven (about 51 lbs., 23 kg) and should be level for proper operation of the oven.

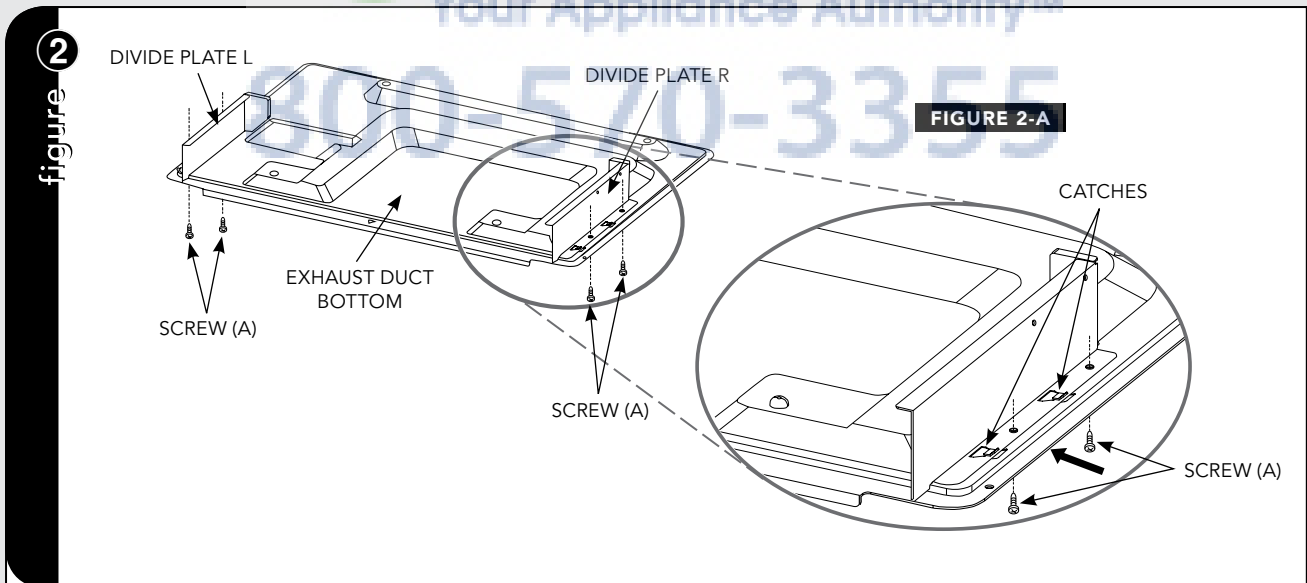
NOTE: While the proper functioning of the oven does not require that the opening be enclosed (with sides, ceiling and rear partition), this may be required by local code, and it is suggested that the local code be checked for any such requirement.

ELECTRICAL SUPPLY

At the rear of the opening, provide a 3 pronged, polarized, electrical outlet, 120 volt A.C., 15 amp. or larger.

This outlet should be located in the shaded area of Figure 1.

It is exceedingly important that the outlet be 120 volts and 15 amps. for optimum oven performance.

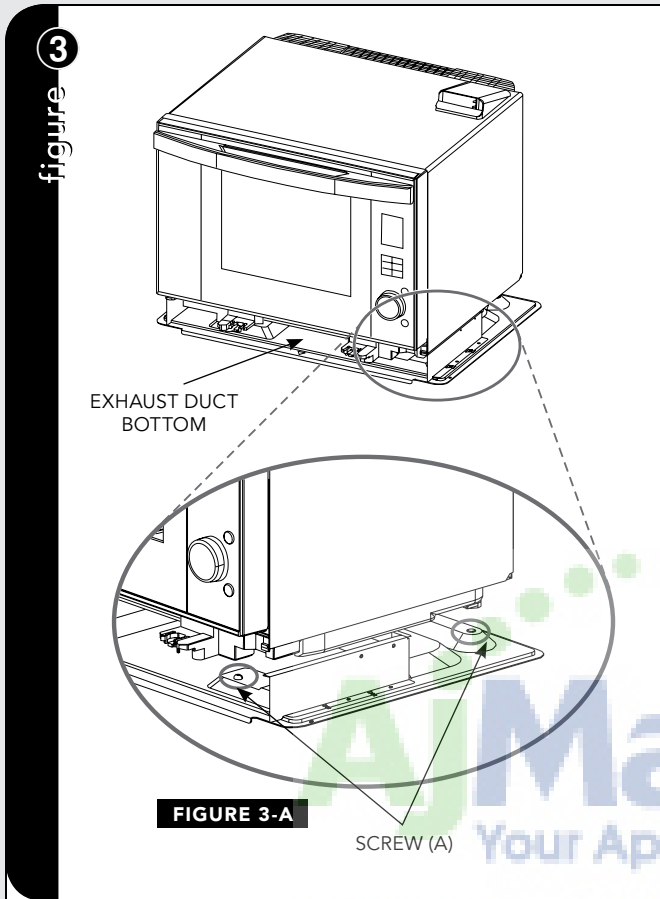


STEP 2: INSTALLATION OF EXHAUST DUCT BOTTOM & DIVIDE PLATE L/R

It is recommended that a sheet of cardboard or other protective material should be placed on the table or countertop to prevent damage to the surface during assembly.

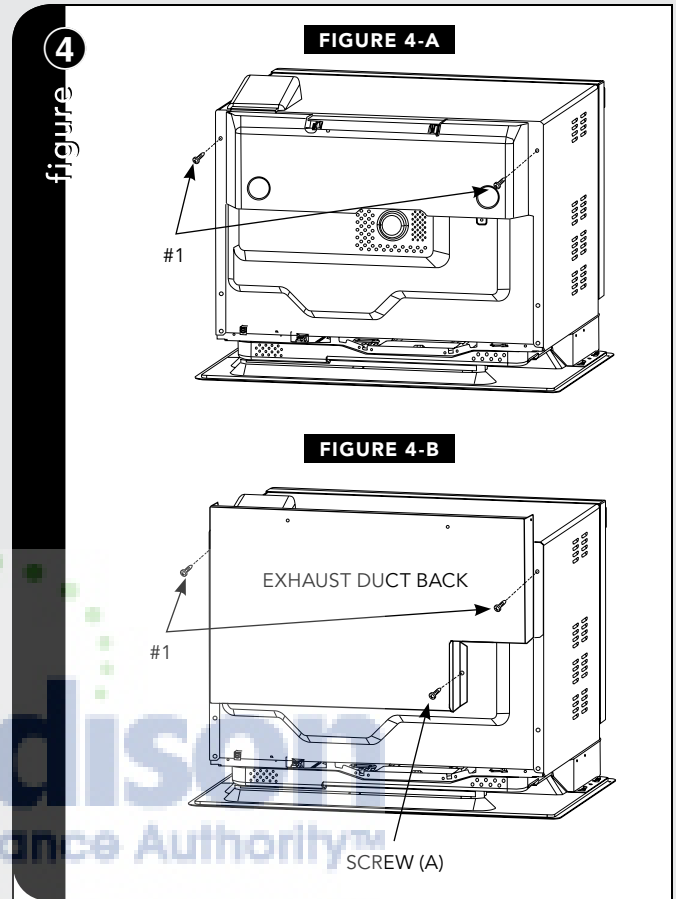
- 2.1 Place DIVIDE PLATE L/R over 2 catches on EXHAUST DUCT BOTTOM.
- 2.2 Lock them into EXHAUST DUCT BOTTOM by sliding DIVIDE PLATE L/R in the direction of the arrow as shown in Figure 2-A.
- 2.3 Tighten 4 SCREWS (A) from the bottom at the left and right sides as shown in Figures 2 and 2-A.

Installation



STEP 3: EXHAUST DUCT BOTTOM INSTALLATION

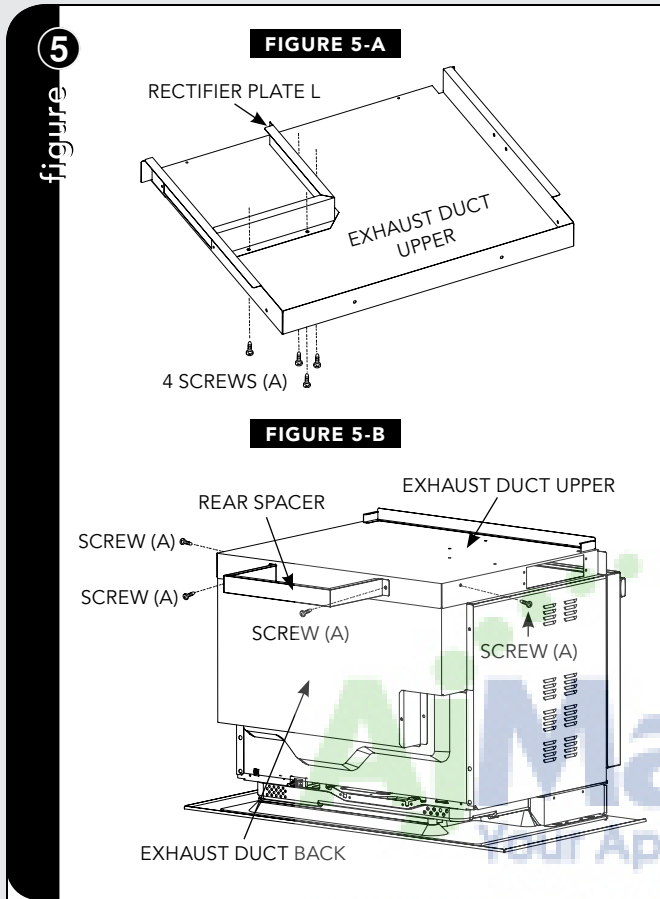
Place the oven onto the EXHAUST DUCT BOTTOM, lowering the 4 feet of the oven onto the projections at the 4 corners of EXHAUST DUCT BOTTOM as shown in Figure 3-A.



STEP 4: EXHAUST DUCT BACK INSTALLATION

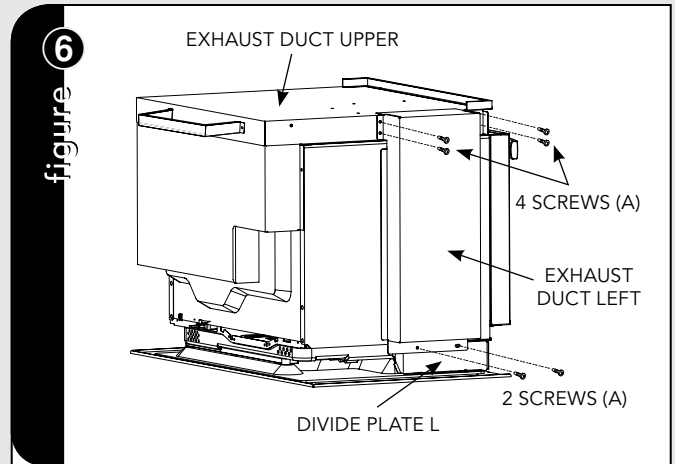
- 4.1 Remove 2 screws (#1) from upper both sides of the oven as shown in Figure 4-A to install the EXHAUST DUCT BACK. (Save 2 screws to be used at step 4.2.)
- 4.2 Secure EXHAUST DUCT BACK to the oven with the screws (#1) removed at step 4.1 and a SCREW (A) as shown in Figure 4-B.

Installation



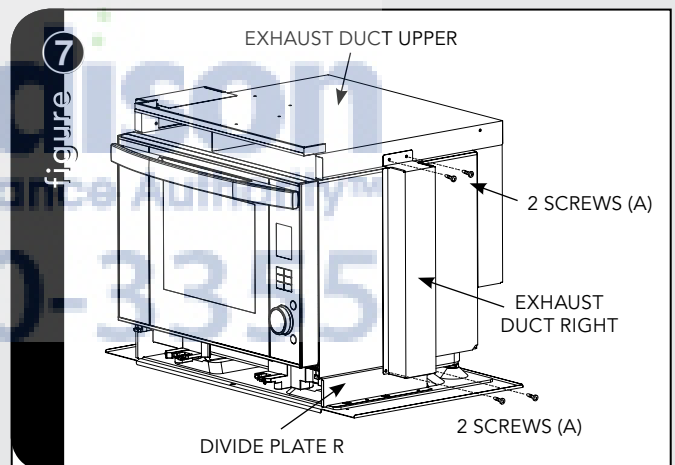
STEP 5: INSTALLATION OF REAR SPACER AND EXHAUST DUCT UPPER

- 5.1 Attach RECTIFIER PLATE L to inside of EXHAUST DUCT UPPER with 4 SCREWS (A) as shown in Figure 5-A.
- 5.2 Place EXHAUST DUCT UPPER over the oven and EXHAUST DUCT BACK, and attach REAR SPACER with 2 SCREWS (A) in Figure 5-B.
- 5.3 Tighten together EXHAUST DUCT UPPER and EXHAUST DUCT BACK at the left and right sides with 2 SCREWS (A) as shown in Figure 5-B.



STEP 6: INSTALLATION OF EXHAUST DUCT LEFT

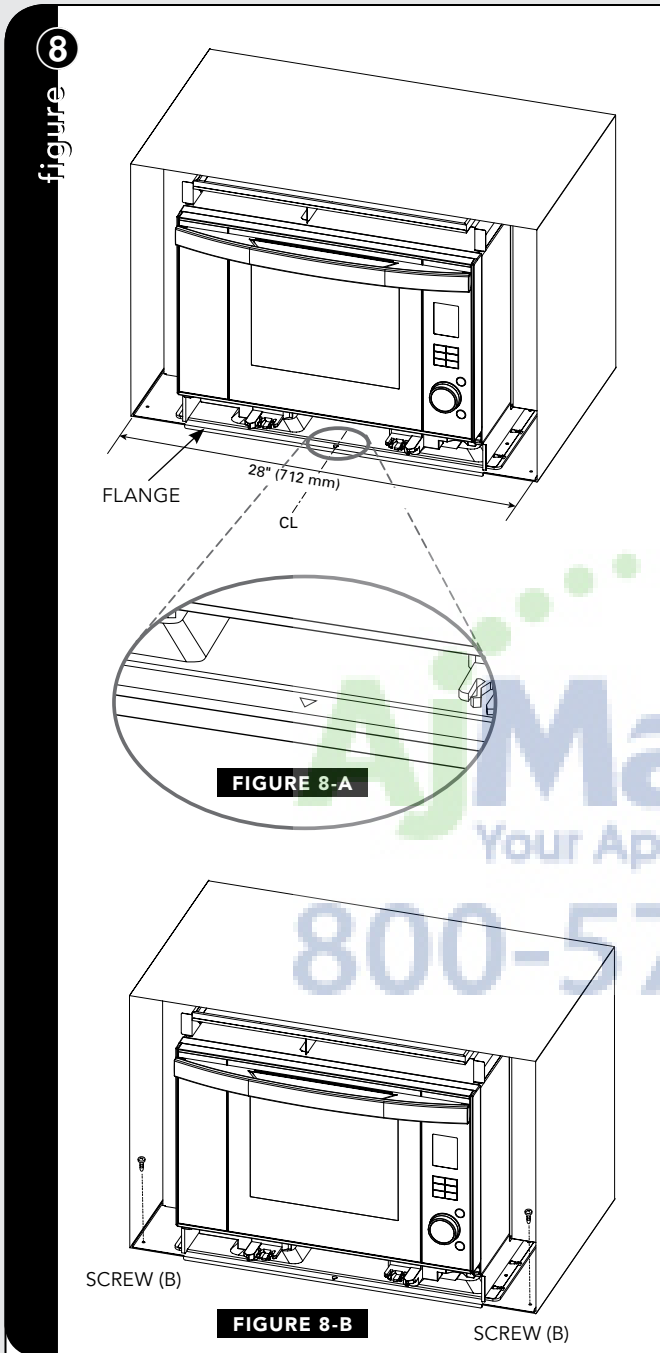
- 6.1 Attach EXHAUST DUCT LEFT to the left wall of the oven.
- 6.2 Tighten with 6 screws (A) as shown in Figure 6.



STEP 7: INSTALLATION OF EXHAUST DUCT RIGHT

- 7.1 Attach EXHAUST DUCT RIGHT to the right wall of the oven.
- 7.2 Tighten with 4 screws (A) as shown in Figure 7.

Installation



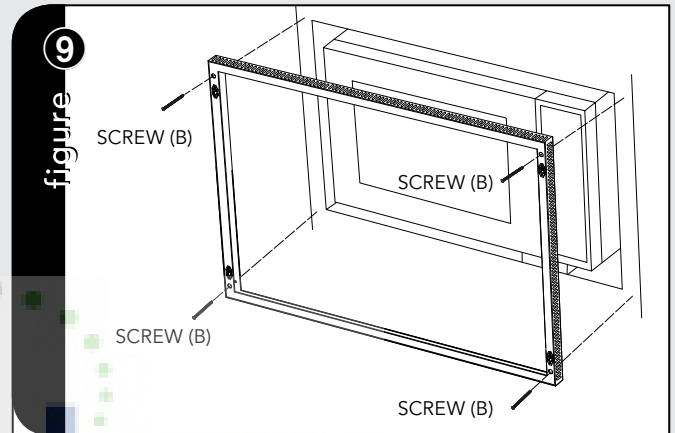
STEP 8: OVEN INSTALLATION

MOUNTING TEMPLATE: Align the mounting template center line with the center of the cutout and the floor line with the floor of the cutout. Tape it into place. Predrill 4 holes marked "A" with a 1/16" drill bit. Remove template from the cabinet.

CAUTION: Never hold the handle when moving the oven. Two persons are required to install the oven.

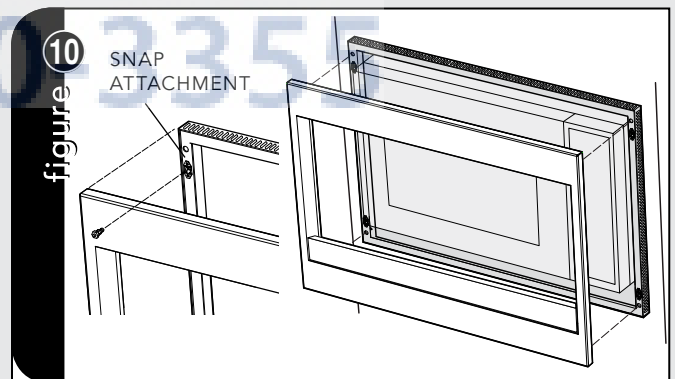
8.1 Establish center line of opening and mark front edge.

- 8.2 Place the oven on a table or stand positioned in front of the cabinet where the oven is to be installed. One person should hold the oven while the other connects it to the electrical outlet.
- 8.3 Install the oven into the shelf with adjusting ∇ mark on EXHAUST DUCT BOTTOM to the center line marked on front edge as shown in Figures 8 and 8-A. Then push the oven until the flange of EXHAUST DUCT BOTTOM touches the edge of the wall or cabinet opening. Avoid pinching the cord between the oven and any wall as shown in Figure 8.



STEP 9: FRAME INSTALLATION

Position the BACK FRAME to align with the predrilled holes that were drilled with the mounting template. Check that it is level and then secure with four SCREWS (B). See Figure 9.



STEP 10: DECORATION INSTALLATION

Place the FRONT decoration onto the FRAME and align ball studs and receivers. Secure the DECORATION to the FRAME by firmly pushing the front frame onto the back frame engaging the four (4) snap attachments. See Figure 10.



Viking Range Corporation
111 Front Street
Greenwood, Mississippi 38930 USA
(662) 455-1200