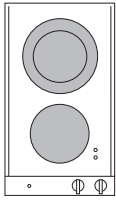


**200 Series Glass Ceramic Cooktop  
with integrated control panels**  
Width: 12" (29 cm)



**VC 230-613**

**VC 230-613**

- Special appliances from the professional kitchen. Individually put together with continuous aluminum control panel.
- Two cooking zones including combination. Output up to 1800 W.

Two cooking zones:

One Super-Quick cooking zone  
Ø 5 11/16" (1200 W).

One Super-Quick cooking zone  
Ø 4 3/4" (700 W), converts to  
Ø 7 1/16" (1800 W).

Two continuously variable energy controls.

Cooking zone marking.

Individual residual heat display.

Operation indicator light.

**Optional accessories:**

**VV 200-000** Connecting strip for combination with other appliances with integrated control panel.

**VD 201-010** Shot-blasted aluminum appliance cover.

**SH 230-001** Hinge holder required for fitting the appliance cover.

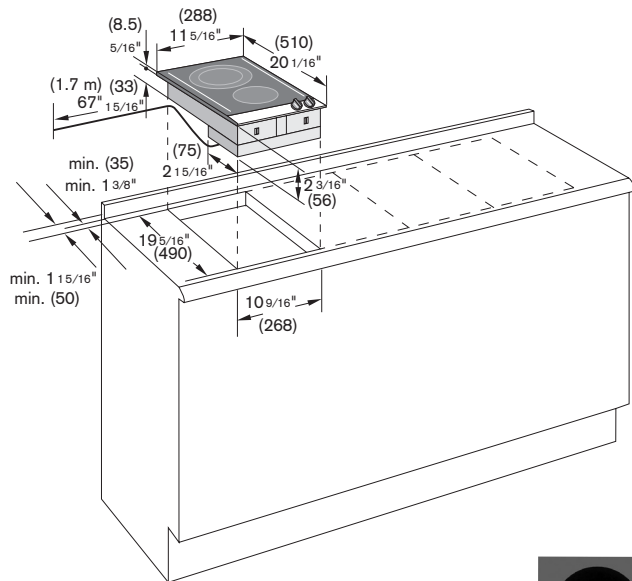
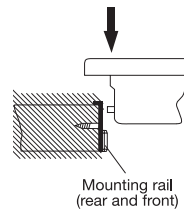
**Planning notes:**

Appliance clicks into place when inserted in the countertop from above.

The cooktop is equipped with a 67" connecting cable (hardware required).

**Rating:**

**Total rating: 3.0 kW**  
**Total Amps: 13**  
**220-240V / 60Hz**



Numbers indicated inside parenthesis ( ) = mm

