

## INSTALLATION INSTRUCTIONS

---

# **BROAN**<sup>®</sup> *Elite*



## **MODEL E661**

**⚠ INTENDED FOR DOMESTIC COOKING ONLY ⚠**

**READ AND SAVE THESE INSTRUCTIONS**

INSTALLER: LEAVE THIS MANUAL WITH HOMEOWNER.

HOMEOWNER: USE AND CARE INFORMATION ON PAGES 7 AND 8.

---

**Broan-NuTone LLC**, 926 West State Street, Hartford, WI 53027 USA (1-800-637-1453)

**NuTone Inc.**, 4820 Red Bank Road, Cincinnati, OH 45227 USA (1-800-543-8687)

**Broan-NuTone Canada Inc.**, 1140 Tristar Drive, Mississauga, ON L5T 1H9 CANADA (1-888-882-7626)

V06112 rev. F

## **WARNING**

### **TO REDUCE THE RISK OF FIRE, ELECTRIC SHOCK OR INJURY TO PERSONS, OBSERVE THE FOLLOWING:**

1. Use this unit only in the manner intended by the manufacturer. If you have questions, contact the manufacturer at the address or telephone number listed in the warranty.
2. Before servicing or cleaning unit, switch power off at service panel and lock service disconnecting means to prevent power from being switched on accidentally. When the service disconnecting means cannot be locked, securely fasten a prominent warning device, such as a tag, to the service panel.
3. Installation work and electrical wiring must be done by qualified personnel in accordance with all applicable codes and standards, including fire-rated construction codes and standards.
4. Sufficient air is needed for proper combustion and exhausting of gases through the flue (chimney) of fuel burning equipment to prevent backdrafting. Follow the heating equipment manufacturer's guidelines and safety standards such as those published by the National Fire Protection Association (NFPA), and the American Society for Heating, Refrigeration and Air Conditioning Engineers (ASHRAE), and the local code authorities.
5. When cutting or drilling into wall or ceiling, do not damage electrical wiring and other hidden utilities.
6. Ducted fans must always be vented to the outdoors.
7. Do not use this unit with any additional solid-state speed control device.
8. To reduce the risk of fire, use only metal ductwork.
9. This unit must be grounded.

### **TO REDUCE THE RISK OF A RANGE TOP GREASE FIRE:**

- a) Never leave surface units unattended at high settings. Boilovers cause smoking and greasy spillovers that may ignite. Heat oils slowly on low or medium settings.
- b) Always turn hood ON when cooking at high heat or when flambeing food (Crêpes Suzette, Cherries Jubilee, Peppercorn Beef Flambé).
- c) Clean ventilating fans frequently. Grease should not be allowed to accumulate on fan or filter.
- d) Use proper pan size. Always use cookware appropriate for the size of the surface element.

## **WARNING**

### **TO REDUCE THE RISK OF INJURY TO PERSONS IN THE EVENT OF A RANGE TOP GREASE FIRE, OBSERVE THE FOLLOWING\*:**

1. SMOTHER FLAMES with a close-fitting lid, cookie sheet or metal tray, then turn off the burner. BE CAREFUL TO PREVENT BURNS. IF THE FLAMES DO NOT GO OUT IMMEDIATELY, EVACUATE AND CALL THE FIRE DEPARTMENT.
2. NEVER PICK UP A FLAMING PAN – You may be burned.
3. DO NOT USE WATER, including wet dishcloths or towels – This could cause a violent steam explosion.
4. Use an extinguisher ONLY if:
  - A. You own a Class ABC extinguisher and you know how to operate it.
  - B. The fire is small and contained in the area where it started.
  - C. The fire department has been called.
  - D. You can fight the fire with your back to an exit.

\* Based on "Kitchen Fire Safety Tips" published by NFPA.

## **CAUTION**

1. For general ventilating use only. Do not use to exhaust hazardous or explosive materials and vapors.
2. To avoid motor bearing damage and noisy and/or unbalanced impeller, keep drywall spray, construction dust, etc. off power unit.
3. Your hood motor has a thermal overload which will automatically shut off the motor if it becomes overheated. The motor will restart when it cools down. If the motor continues to shut off and restart, have the hood serviced.
4. The minimum hood distance above cooktop must not be less than 24". A maximum of 30" above cooktop is highly recommended for best capture of cooking impurities.
5. Two installers are recommended because of the large size and weight of this hood.
6. To reduce the risk of fire and to properly exhaust air, be sure to duct air outside – Do not exhaust air into spaces within walls or ceiling or into attics, crawl space or garage.
7. This product is equipped with a thermostat which may start blower automatically. To reduce the risk of injury and to prevent power from being switched on accidentally, switch power off at service panel and lock or tag service panel.
8. Because of the high exhausting capacity of this hood, you should make sure enough air is entering the house to replace exhausted air by opening a window close to or in the kitchen.
9. Use with approved cord-connection kit only.
10. Please read specification label on product for further information and requirements.

# TABLE OF CONTENTS

1. INSTALL DUCTWORK . . . . .	4
2. PREPARE THE INSTALLATION . . . . .	4-5
3. PREPARE THE HOOD . . . . .	5-6
4. INSTALL THE ADAPTER/DAMPER . . . . .	7
5. INSTALL THE HOOD . . . . .	8
6. CONNECT WIRING . . . . .	8
7. REINSTALL BOTTOM PANEL . . . . .	9
8. LIGHT BULBS . . . . .	9
9. OPERATION . . . . .	10
10. USE AND CARE . . . . .	11
11. WIRING DIAGRAM . . . . .	11
12. SERVICE PARTS . . . . .	12

## WARRANTY

### **BROAN-NUTONE LLC ONE-YEAR LIMITED WARRANTY**

Broan-NuTone LLC warrants to the original consumer purchaser of its products that such products will be free from defects in materials or workmanship for a period of one year from the date of original purchase. THERE ARE NO OTHER WARRANTIES, EXPRESS OR IMPLIED, INCLUDING, BUT NOT LIMITED TO, IMPLIED WARRANTIES OR MERCHANTABILITY OR FITNESS FOR A PARTICULAR PURPOSE.

During this one-year period, Broan-NuTone LLC will, at its option, repair or replace, without charge, any product or part which is found to be defective under normal use and service.

This warranty does not cover (a) normal maintenance and service or (b) any products or parts which have been subject to misuse, negligence, accident, improper maintenance or repair (other than by Broan-Nutone LLC), faulty installation or installation contrary to recommended installation instructions.

The duration of any implied warranty is limited to the one-year period as specified for the express warranty. Some states or provinces do not allow limitation on how long an implied warranty lasts, so the above limitation may not apply to you.

**BROAN-NUTONE LLC'S OBLIGATION TO REPAIR OR REPLACE, AT BROAN-NUTONE LLC'S OPTION, SHALL BE THE PURCHASER'S SOLE AND EXCLUSIVE REMEDY UNDER THIS WARRANTY. BROAN-NUTONE LLC SHALL NOT BE LIABLE FOR INCIDENTAL, CONSEQUENTIAL OR SPECIAL DAMAGES ARISING OUT OF OR IN CONNECTION WITH PRODUCT USE OR PERFORMANCE. Some states or provinces do not allow the exclusion or limitation of incidental or consequential damages, so the above limitation or exclusion may not apply to you.**

This warranty gives you specific legal rights, and you may also have other rights, which vary from state to state or province to another. This warranty supersedes all prior warranties.

To qualify for warranty service, you must (a) notify Broan-NuTone LLC at the addresses or telephone number stated below, (b) give the model number and part identification and (c) describe the nature of any defect in the product or part. At the time of requesting warranty service, you must present evidence of the original purchase date.

**Broan-NuTone LLC**, 926 West State Street, Hartford, WI 53027 USA (1-800-637-1453)

**NuTone Inc.**, 4820 Red Bank Road, Cincinnati, OH 45227 USA (1-800-543-8687)

**Broan-NuTone Canada Inc.**, 1140 Tristar Drive, Mississauga, ON L5T 1H9 CANADA (1-888-882-7626)

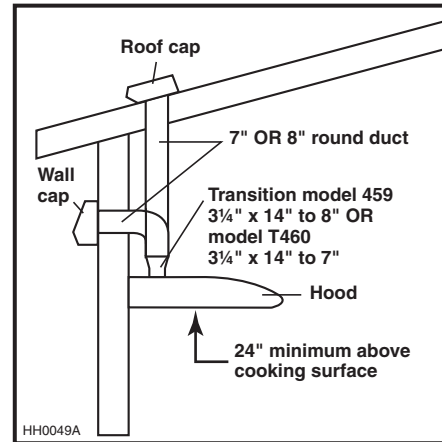
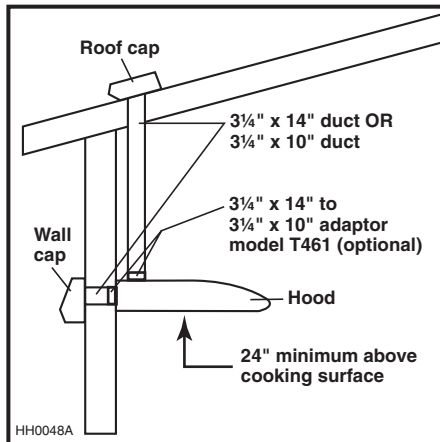
# 1. INSTALL DUCTWORK

Plan where and how the ductwork will be installed.

Install proper-sized ductwork, elbows and roof or wall cap. Use 2" duct tape to seal duct joints.

**The minimum hood distance above cooktop must not be less than 24". A maximum of 30" above cooktop is highly recommended for best capture of cooking impurities.**

Distances over 30" are at the installer and users discretion.



# 2. PREPARE THE INSTALLATION

Make sure that the following items are included:

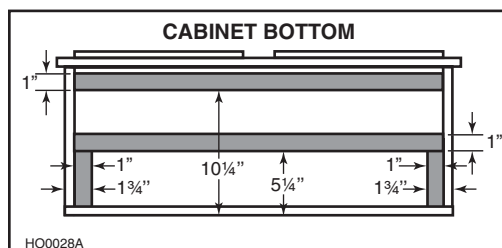
- Hood
- Accessories:
  - Filters (2 for 30" and 36" width hoods, 3 for 42" width hood)
  - Plastic diverter (assembled in hood)
  - 3 1/4" x 14" adapter/damper (inside one filler)
  - Bag of parts (inside one filler) including:
    - (1) wire clamp, (5) #8 x 1/2" screws, (2) wire connectors and (3) #6 x 1/2" standard screws

Parts sold separately:

- Halogen lights (MR16, GU10, 120 V, 50 W)
- Transition 3 1/4" x 14" to 8" round model #459 (optional), transition 3 1/4" x 14" to 7" round model #T460 (optional), adaptor 3 1/4" x 14" to 3 1/4" x 10" model #T461 (optional) ducts, elbows, dampers, wall or roof caps.

NOTES: 1. During installation, protect countertop and/or cooktop.

2. If the bottom of the cabinet is recessed, attach four 1" wide wood strips (not included), as shown below, in order to properly attach the hood to the cabinet. The wood strips must be as thick as recess.



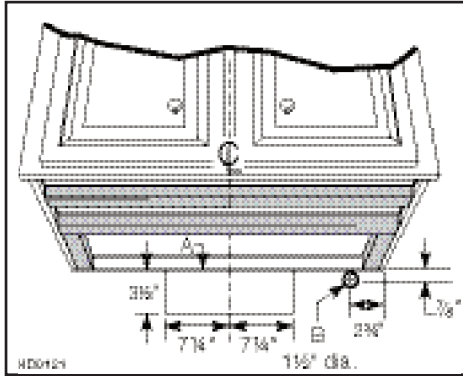
## 2. PREPARE THE INSTALLATION (CONT'D)

Cut-out the openings for duct (A) and power cable (B), in cabinet or wall, according to the direction of discharge chosen.

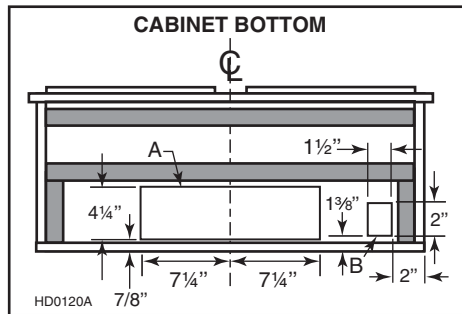
See figures below.

NOTE: If using the optional adaptor 3¼" x 14" to 3¼" x 10" model #T461, the duct opening width (A on figures below) will be 10½", centered.

### HORIZONTAL DISCHARGE



### VERTICAL DISCHARGE



## 3. PREPARE THE HOOD

3.1 Pull latch tabs and remove filters from the hood.



3.2 Remove the 5 screws retaining the bottom panel to the hood and set aside. Pull out the bottom panel.



3.3 Punch out the appropriate electrical knock-out hole.

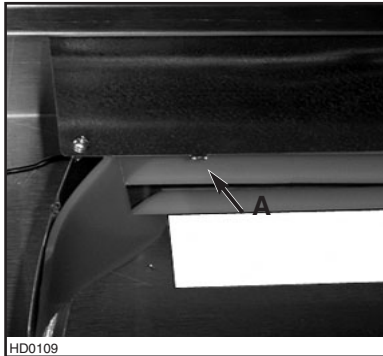
### 3. PREPARE THE HOOD (CONT'D)

#### **FOR VERTICAL DISCHARGE ONLY:**

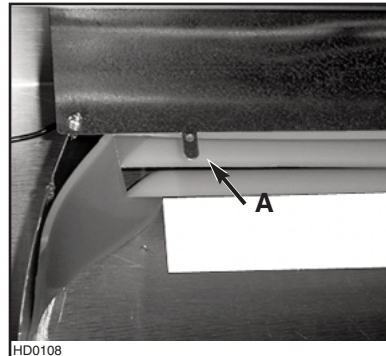
The hood is set up at the factory for vertical discharge. Go to step 4 on page 7. Start on step 4.4.

#### **FOR HORIZONTAL DISCHARGE ONLY:**

3.4 From inside the hood, unfold the small retaining tab (A) (located on the edge of the blower opening) on the air diffuser edge. See pictures below.

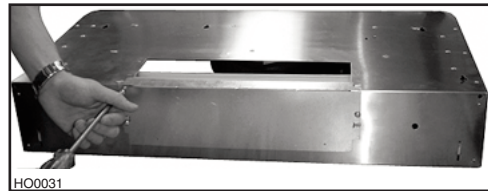


Folded tab



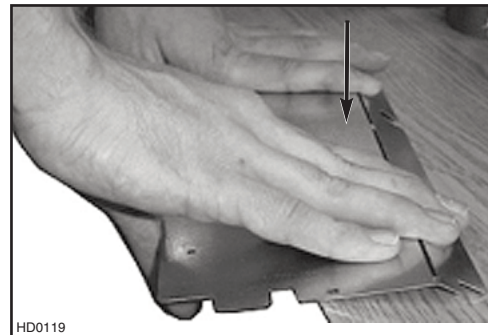
Unfolded tab

3.5 Remove the metal shutoff plate from the back of the hood, by removing the 3 screws. Set aside screws.



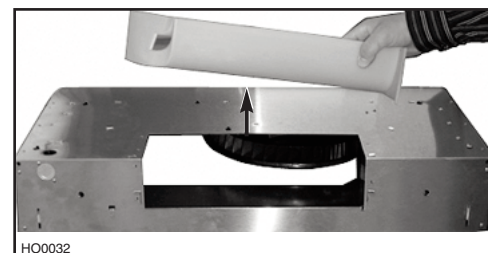
HO0031

3.6 Press the metal shutoff plate on a flat surface to completely flatten bent flange.



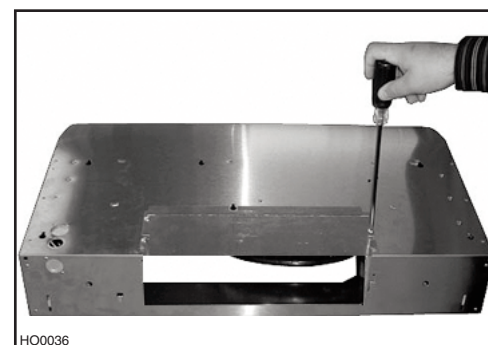
HD0119

3.7 From the top of the hood, slide out the plastic air deviator and discard.



HO0032

3.8 Using the 3 screws removed from 3.5, install the metal shutoff plate on top of the hood.



HO0036

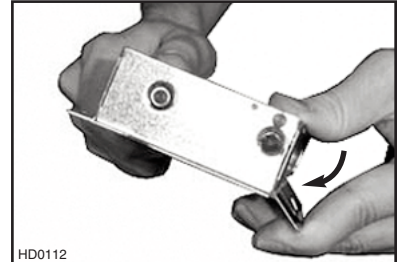
## 4. INSTALL THE ADAPTER/DAMPER

The wall duct must be roughed-in to properly interface with the hood. Before performing the installation, make sure the adapter fits easily in the duct. If this hood replaces an existing hood, please note that location of the air exhaust can vary from one hood manufacturer to another.

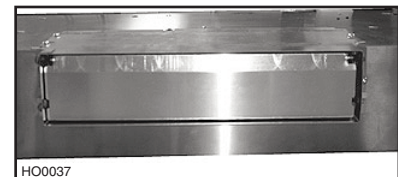
NOTE: If using the optional adaptor 3¼" x 14" to 3¼" x 10" model T461, discard the provided adapter/damper and perform step 4 with the optional adaptor T461.

### FOR HORIZONTAL DISCHARGE ONLY:

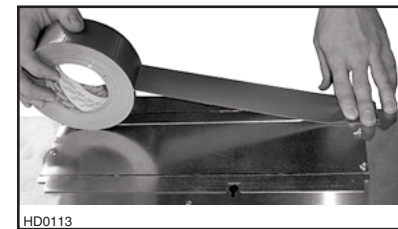
4.1 Fold down the foldable flange of the adapter/damper. This flange must be at 90° from the remaining flanges. See picture beside.



4.2 Using three (3) #6 x ½" screws provided, secure the adapter to the back of the hood. Remove tape from damper flap.

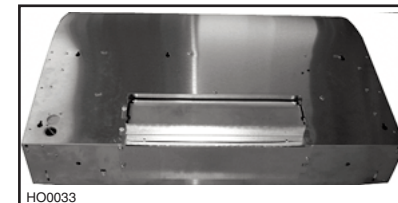


4.3 Seal the adapter and the metal shutoff plate to the hood using duct tape.

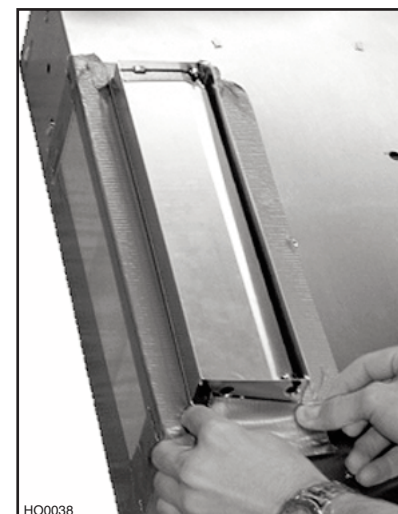


### FOR VERTICAL DISCHARGE ONLY:

4.4 Using three (3) #6 x ½" screws provided, secure the adapter to the top of the hood. Remove tape from damper flap.



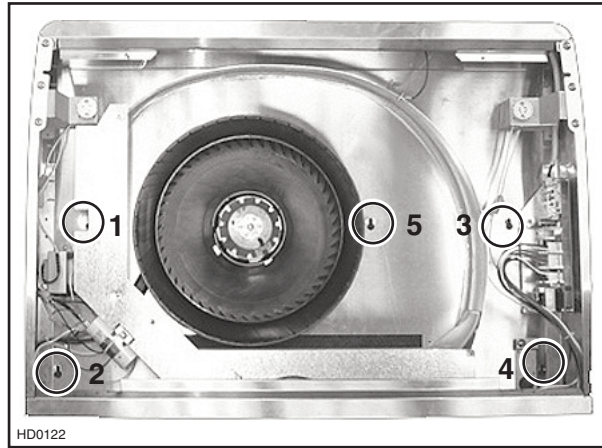
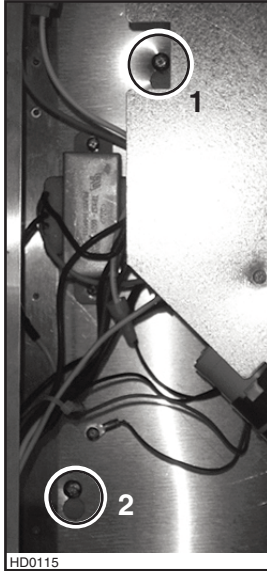
4.5 Seal the adapter and the metal plate to the hood using duct tape.



## 5. INSTALL THE HOOD

5.1 Run power cable to installation location. Position the hood in its intended location. Using a pen, mark the position of the screws (smaller part of the keyholes, see pictures below for the (5) keyholes locations). Remove the hood.

5.2 Install (4) #8 x 1/2" screws, leaving a 1/8" gap (do not install the #5 screw yet).



5.3 Attach the wire clamp, insert the power cable in the hood and tighten the wire clamp to secure the cable. Place the hood under the cabinet and slide it in position. Make sure the adapter/damper assembly enters the duct opening. Tighten the (4) screws completely, then add the last screw (screw #5) in the center keyhole. Make sure the damper flap opens freely.

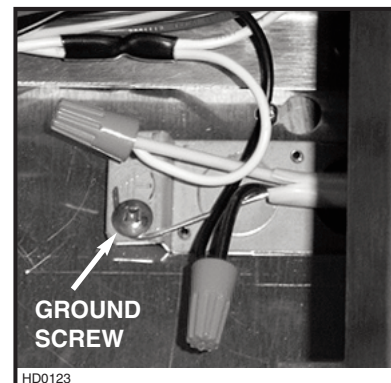
## 6. CONNECT WIRING

### WARNING

**Risk of electrical shock. Electrical wiring must be done by qualified personnel in accordance with all applicable codes and standards. Before connecting wires, switch power off at service panel and lock service disconnecting means to prevent power from being switched on accidentally.**

Connect cable into wiring box using provided wire connectors.

Connect wires as follows: BLACK to BLACK, WHITE to WHITE and GREEN or BARE wire under GREEN ground screw. **DO NOT FORGET TO CONNECT THE GROUND.**



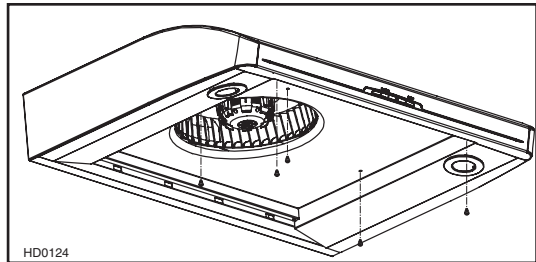


## 7. REINSTALL BOTTOM PANEL

Reinstall the bottom panel, using 5 screws saved from step 3, as shown beside. Reinstall filters.

### CAUTION

Remove protective plastic film covering filters before installing them.



## 8. LIGHT BULBS

This hood must use 120 V, 50 W max., type MR16, GU10 shielded halogen lamps. (Purchase separately).

### WARNING

In order to prevent the risk of personal injury, do not install a lamp identified for use only in enclosed fixtures.

NOTE: The rings must be removed from bottom panel before installing halogen lamps.

- 8.1 Install the lamps by placing the bulb leads into their grooves in the socket and gently push upward and turn clockwise until secured.



- 8.2 Install trim rings by pushing upward.



### WARNING

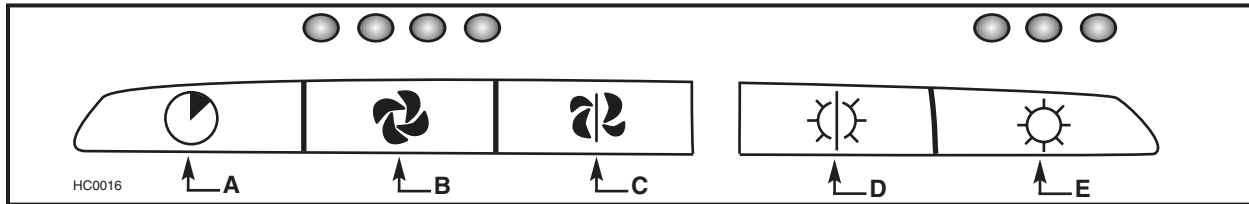
In order to prevent the risk of personal injury, the halogen lamps must be cooled down before removing them.

- 8.3 To remove lamps, gently push upward and turn counterclockwise to disengage bulb leads from their grooves.



## 9. OPERATION

Always turn your blower on before you begin cooking to establish an air flow in the kitchen. Let the blower run for a few minutes to clear the air after you turn off the range.



- A) Blower Delay switch
- B) ON/Blower speed control
- C) OFF blower switch
- D) OFF lighting
- E) Halogen light switch

### **A. BLOWER DELAY SWITCH:**

When a speed is selected, press the delay switch to activate the delay function. The corresponding speed indicator LED will start flashing to indicate this function is activated. The fan will continue to operate for 5 minutes and will stop automatically. To cancel the delay function, press the blower delay switch once again; the blower will then work in normal mode.

NOTE: The blower speed can be increased—or decreased—during delay mode without starting another 5-minute cycle.

### **B. ON/BLOWER SPEED CONTROL SWITCH:**

Press this switch to turn on the blower at the last selected speed. To change the blower speed, press the switch again until the desired speed is obtained.

NOTES: 1. Each time you press the speed control switch, the speed changes by increments of 1 (e.g.: speed 1 to speed 2, to speed 3, and then speed 4.) From the fourth speed, the speed goes down to level 1.

- 2. The last speed used is kept in memory so that when the unit is turned on, it will return to the last setting except the fourth, the next time the blower will be turned on, it will return to speed 3.

### **HEAT SENTRY**

This hood is equipped with a Heat Sentry thermostat. This thermostat is a device that will turn on or speed up the blower if it senses excessive heat above the cooking surface.

- 1) If blower is OFF—it turns blower ON to speed 3.
- 2) If blower is ON at a lower speed setting—it turns the blower up to speed 3. If blower is at Boost, HEAT SENTRY turns blower down to speed 3.

When HEAT SENTRY is activated, the first and the last speed blower LEDs are flashing alternately.

When the temperature level drops to normal, the blower will return to its original setting.

### **⚠ WARNING**

**The HEAT SENTRY can start the blower even if the hood is turned OFF. In this case, it is impossible to turn the blower OFF with blower switch. To prevent the blower from starting, turn off power at the main electrical panel.**

### **C. OFF BLOWER SWITCH:**

Press this switch to turn off the blower. Pressing this switch also cancels the delay function (if activated).

### **D. OFF LIGHTING:**

Press this switch to turn off lighting.

### **E. HALOGEN LIGHT SWITCH:**

Press this switch to turn on the halogen lamps. The lighting intensity changes by increments of 1 (e.g.: Press once for low intensity, once again to get more, up to three times.) From the higher intensity, press once to go back to the lower intensity.

NOTE: The last lighting intensity used is kept in memory. The next time the halogen lamps will be turned on, they will light with the last intensity used.

### **RESET CONTROL PROCEDURE:**

If ever the control locks up, turn off power at the main electrical panel for 5 seconds. Then, turn on power at the main electrical panel. The control will be reset.

## 10. USE AND CARE

Grease filters and bottom panel.

The grease filters and the bottom panel should be cleaned frequently. Use a warm detergent solution.

Remove grease filters by pushing them towards the back of hood and rotating downward.

STAINLESS STEEL CLEANING: HOW TO MAINTAIN ITS « BRIGHT LOOK »

**Do:** - Regularly wash surfaces with clean cloth or rag soaked with warm water and mild soap or liquid dish detergent.

- Always clean in the direction of original polish lines.

- Always rinse well with clear water (2 or 3 times) after cleaning. Wipe completely dry.

- You may also use a specialized household stainless steel cleaner.

**Don't:** - Do not use any steel or stainless steel wool or any other scrapers to remove stubborn dirt.

- Do not use any harsh or abrasive cleansers.

- Do not allow dirt to accumulate.

- Do not let plaster dust or any construction residues reach the hood. During construction or renovation, cover the hood to make sure no dust adheres to stainless steel surface.

**Avoid: when choosing a detergent**

- Any cleaners that contain **bleach** will attack stainless steel.

- Any products containing : **chloride, fluoride, iodide, bromide** will deteriorate surfaces rapidly.

- Any **combustible products** used for cleaning such as **acetone, alcohol, ether, benzol**, etc., are highly explosive and should never be used close to a range.

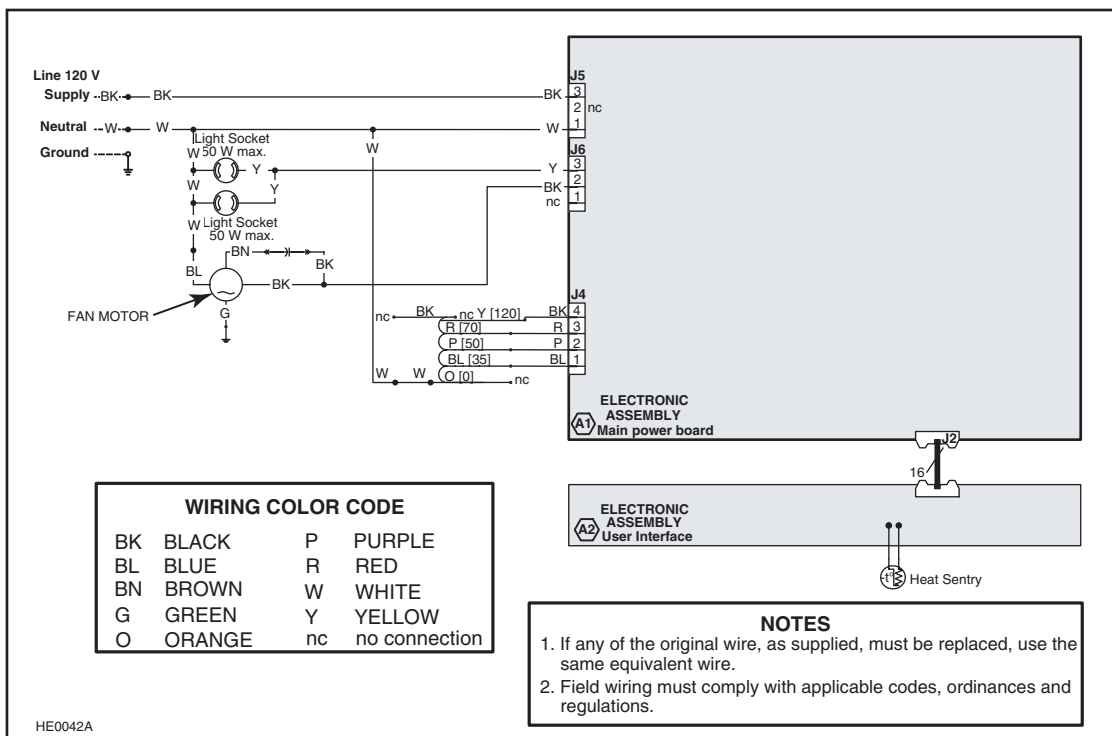
ENAMEL FINISH:

Clean with warm water and mild detergent only. If discoloration occurs, use a good enamel polish such as automotive polish. (DO NOT use rough abrasive cleaner or porcelain cleaner).

## 11. WIRING DIAGRAM

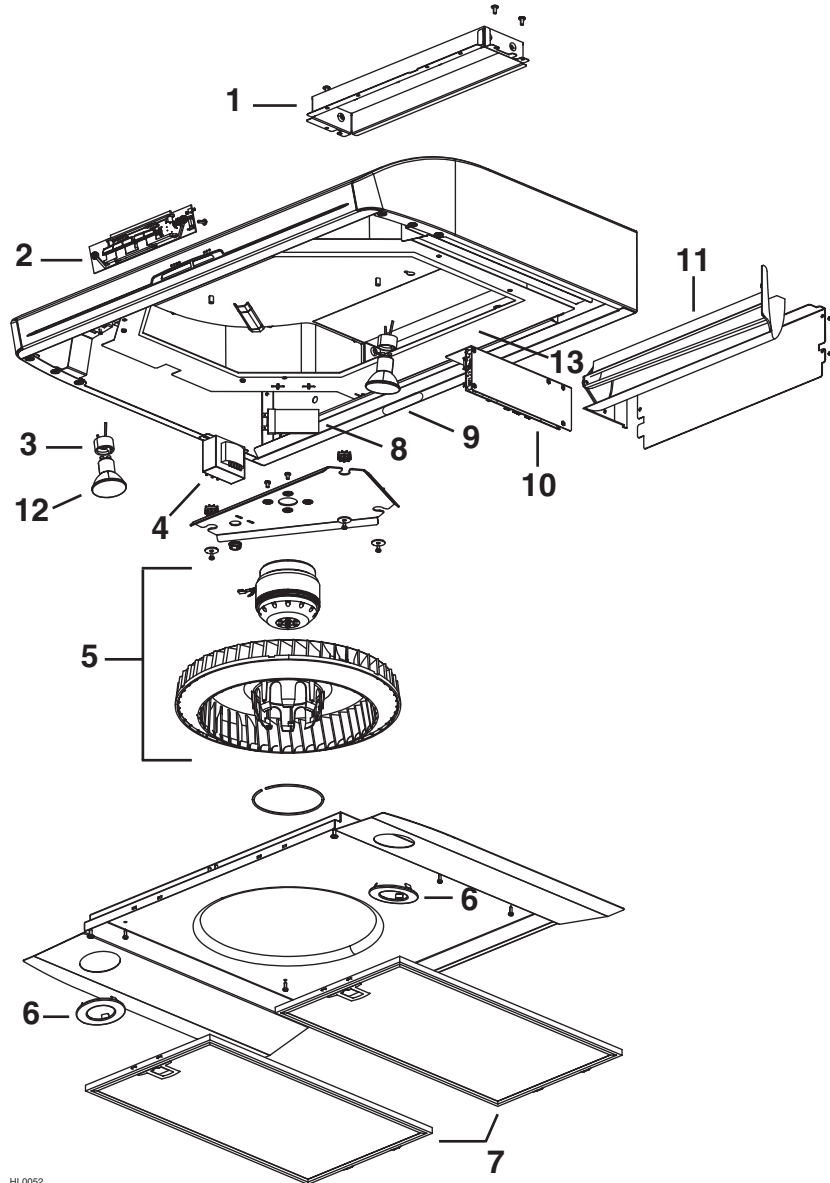
### ⚠ WARNING

**Risk of electrical shock. Electrical wiring must be done by qualified personnel in accordance with all applicable codes and standards. Before connecting wires, switch power off at service panel and lock service disconnecting means to prevent power from being switched on accidentally.**



# 12. SERVICE PARTS

## E661 MODEL



HL0052

KEY #	PART #	DESCRIPTION	WIDTHS		
			30"	36"	42"
1	V14971	ADAPTER/DAMPER	1	1	1
2	V06118	ELECTRONIC CONTROL	1	1	1
3	V05917	LAMP SOCKET	2	2	2
4	V06735	TRANSFORMER AND HARNESS KIT	1	1	1
5	V01766E	MOTOR (INCLUDING WHEEL)	1	1	1
6	V06268	LIGHT TRIM RING	2	2	2
7	V06244	FILTERS 9.92" X 17.981"	2	—	3
	V06264	FILTERS 12.922" X 17.981"	—	2	—
8	V02160	CAPACITOR	1	1	1
9	V06750	BROAN ELITE LOGO	1	1	1
10	V06733-1	CONTROL PROCESSOR UNIT	1	1	1
11	V06252	DIVERTER	1	1	1
12	V05921	HALOGEN LAMP (50 W, 120 V, GU10)	2	2	2
13	V03443	FOAM STRIP	1	1	1
*	V06734	LOW VOLTAGE HARNESS	1	—	—
	V06745	LOW VOLTAGE HARNESS	—	1	—
	V06746	LOW VOLTAGE HARNESS	—	—	1
*	V06112	INSTALLATION MANUAL	1	1	1
*	V06751	PARTS BAG (1) wire clamp LP16-AP.	1	1	1
		(2) wire connectors #74B, (5) #8 x 1/2"			
		screws, (3) #6 x 1/2" screws)			

\* Item not shown.

# **BROAN**<sup>®</sup> *Elite*



## **MODÈLE E661**

**⚠ CONÇUE POUR USAGE DOMESTIQUE SEULEMENT ⚠**

**LIRE ET CONSERVER CES INSTRUCTIONS**

INSTALLATEUR : LAISSER CE GUIDE AU PROPRIÉTAIRE.  
PROPRIÉTAIRE : INSTRUCTIONS D'UTILISATION ET D'ENTRETIEN  
AUX PAGES 22-23.

**Broan-NuTone LLC**, 926 West State Street, Hartford, WI 53027 USA (1 800 637-1453)

**NuTone Inc.**, 4820 Red Bank Road, Cincinnati, OH 45227 USA (1 800 543-8687)

**Broan-NuTone Canada Inc.**, 1140, Tristar Drive, Mississauga (Ontario) L5T 1H9 CANADA (1 888 882-7626)

V06112 rév. F

## **AVERTISSEMENT**

**AFIN DE DIMINUER LE RISQUE D'INCENDIE, D'ÉLECTROCUTION OU DE BLESSURES, SUIVEZ LES INSTRUCTIONS SUIVANTES :**

1. N'utilisez cet appareil que de la façon prévue par le fabricant. Si vous avez des questions, contactez ce dernier à l'adresse et au numéro de téléphone indiqués sur la garantie.
2. Avant de réparer ou de nettoyer l'appareil, coupez le courant au panneau d'alimentation et verrouillez-en l'accès afin d'éviter sa remise en marche accidentelle. Si le panneau de service ne peut être verrouillé, y fixer un indicateur voyant, par exemple une étiquette de couleur vive.
3. Les travaux d'installation et de raccordement électrique doivent être effectués par du personnel qualifié en respectant les normes et règlements en vigueur, y compris les normes et codes de bâtiment en matière de prévention d'incendie.
4. Une circulation d'air efficace est requise pour assurer la combustion et l'évacuation complète des gaz par la cheminée des équipements à combustion pour prévenir les retours de cheminée. Conformez-vous aux instructions et aux standards de sécurité des fabricants d'équipement de chauffage, tels qu'ils sont publiés par la National Fire Protection Association (NFPA) et l'American Society for Heating, Refrigeration and Air Conditioning Engineers (ASHRAE) ainsi que les responsables des codes locaux.
5. Lorsque vous coupez ou percez un mur ou un plafond, prenez garde de ne pas endommager les fils électriques ou autre installation qui pourraient y être dissimulés.
6. Les ventilateurs avec conduits doivent toujours évacuer l'air à l'extérieur.
7. N'utilisez pas cet appareil avec une commande de vitesse à semiconducteur additionnelle.
8. Afin de réduire le risque d'incendie, n'utilisez que des conduits en métal.
9. Cet appareil doit être relié à une mise à la terre.

**AFIN DE RÉDUIRE LE RISQUE DE FEU DE CUISINIÈRE :**

- a) Ne laissez jamais les appareils de cuisson sans surveillance lorsqu'ils sont réglés à feu vif. Les débordements engendrent de la fumée et des déversements gras pouvant s'enflammer. Chauffez l'huile lentement, à feu doux ou moyen.
- b) Mettez toujours la hotte en marche lorsque vous cuisinez à feu vif ou que vous cuisinez des mets flambés (par ex. : crêpes Suzette, cerises jubilé, steak au poivre flambé).
- c) Nettoyez régulièrement la (les) roue(s) du ventilateur. Ne laissez pas la graisse s'accumuler sur le ventilateur ou le(s) filtre(s).
- d) Utilisez le bon format de casserole. Servez-vous toujours de casseroles et d'ustensiles appropriés à la dimension de la surface de cuisson.

## **AVERTISSEMENT**

**AFIN D'ÉVITER TOUS RISQUES DE BLESSURE LORS D'UN FEU DE CUISINIÈRE, SUIVEZ CES INSTRUCTIONS\* :**

1. **ÉTOUFFEZ LES FLAMMES** avec un couvercle hermétique, une tôle à biscuits ou un plateau métallique, puis éteignez le brûleur. **ATTENTION DE NE PAS VOUS BRÛLER. SI LES FLAMMES NE S'ÉTEignent PAS IMMÉDIATEMENT, SORTEZ ET APPELEZ LES POMPIERS.**
2. **NE PRENEZ JAMAIS EN MAIN UNE POÊLE OU UNE CASSEROLE QUI A PRIS FEU**, vous pourriez vous brûler.
3. **N'UTILISEZ PAS D'EAU**, ni de torchons ou de serviettes mouillés; vous pourriez provoquer une violente explosion de vapeur.
4. Utilisez un extincteur **SEULEMENT LORSQUE :**
  - A. Vous savez qu'il s'agit d'un extincteur de classe ABC et que vous en connaissez le fonctionnement.
  - B. L'incendie est petit et limité à l'endroit où il a débuté.
  - C. Les pompiers ont été avisés.
  - D. Vous pouvez combattre l'incendie en ayant accès à une sortie de secours.

\*Tirées du *Kitchen Fire Safety Tips* publié par la NFPA.

## **ATTENTION**

1. N'utilisez cet appareil que pour une ventilation générale. Ne l'utilisez pas pour évacuer des matières ou des vapeurs dangereuses ou explosives.
2. Pour éviter d'endommager le moteur et de rendre les rotors bruyants et/ou non équilibrés, gardez votre appareil à l'abri des poussières de gypse et de construction ou de rénovation, etc.
3. Le moteur de votre hotte est muni d'une protection thermique qui éteint automatiquement le moteur s'il surchauffe. Il redémarrera automatiquement une fois refroidi. Si le moteur continue à s'éteindre et à se remettre en marche, faites vérifier votre hotte.
4. Pour une meilleure évacuation des odeurs de cuisson, le bas de votre hotte devrait être à un minimum de 24 po et à un maximum de 30 po au-dessus de la surface de cuisson.
5. En raison de la grande dimension et du poids de cet appareil, il est recommandé de confier l'installation de cette hotte à deux personnes.
6. Afin de réduire le risque d'incendie et d'évacuer correctement l'air, assurez-vous d'évacuer l'air à l'extérieur. N'évacuez pas l'air dans des espaces clos comme l'intérieur des murs ou un plafond, dans le grenier, faux-plafond ou garage.
7. Cet appareil est doté d'un thermostat pouvant activer automatiquement le ventilateur. Pour réduire le risque de blessures et éviter l'activation accidentelle, couper le courant depuis le panneau d'alimentation électrique et verrouillez ou apposez un avertissement sur le panneau.
8. À cause de la grande capacité d'évacuation de cet appareil, il est recommandé d'ouvrir une fenêtre dans ou près de la cuisine afin de remplacer l'air évacué.
9. Cette hotte ne doit être utilisée qu'avec un ensemble de cordon d'alimentation approuvé.
10. Nous vous recommandons de lire l'étiquette indiquant les caractéristiques de votre appareil pour de plus amples renseignements et exigences.

# TABLE DES MATIÈRES

1. INSTALLATION DES CONDUITS . . . . .	16
2. PRÉPARATION DE L'INSTALLATION . . . . .	16-17
3. PRÉPARATION DE LA HOTTE . . . . .	17-18
4. INSTALLATION DE L'ADAPTATEUR/VOLET . . . . .	19
5. INSTALLATION DE LA HOTTE . . . . .	20
6. BRANCHEMENT ÉLECTRIQUE . . . . .	20
7. RÉINSTALLATION DU PANNEAU INFÉRIEUR . . . . .	21
8. LAMPES HALOGÈNES . . . . .	21
9. FONCTIONNEMENT . . . . .	22
10. ENTRETIEN . . . . .	23
11. SCHÉMA ÉLECTRIQUE . . . . .	23
12. PIÈCES DE RECHANGE . . . . .	24

## GARANTIE

### GARANTIE LIMITÉE DE UN AN DE BROAN-NUTONE LLC

Broan-NuTone LLC garantit à l'acheteur consommateur initial de ses produits qu'ils sont exempts de tout défaut dans les matières premières ou la main-d'œuvre, pour une période de un an à compter de la date d'achat par le consommateur initial. IL N'Y A PAS D'AUTRE GARANTIE, EXPRIMÉE OU IMPLICITE, INCLUANT, MAIS NON LIMITÉE AUX GARANTIES IMPLICITES POUR FIN DE COMMERCIALISATION ET DE CONVENANCE DANS UN BUT PARTICULIER.

Durant cette période de un an, Broan-NuTone LLC, à sa discrétion, réparera ou remplacera gratuitement, tout produit ou pièce qui s'avère défectueux et qui a été utilisé normalement et d'une manière non abusive.

Cette garantie ne couvre pas (a) l'entretien et le service normal ou (b) tout produit ou pièce endommagé à la suite d'un usage inadéquat, de négligence, d'accident, d'entretien inapproprié ou de réparation (autre que par Broan-NuTone LLC), d'une installation incorrecte ou non conforme.

La durée de toute garantie implicite est limitée à une période de un an telle qu'elle est spécifiée pour la garantie exprimée. Certains États ou provinces ne permettent pas de limite de temps sur les garanties implicites. Si tel est le cas, veuillez ne pas tenir compte de la dernière limite décrite ci-dessus.

**L'ENGAGEMENT DE BROAN-NUTONE LLC DE RÉPARER OU DE REMPLACER, À LA DISCRÉTION DE BROAN-NUTONE LLC, SERA LA SEULE OBLIGATION EXCLUSIVE SOUS CETTE GARANTIE. BROAN-NUTONE LLC NE SERA PAS TENUE RESPONSABLE DES DOMMAGES DIRECTS, INDIRECTS OU SPÉCIAUX SURVENANT À CAUSE DE OU EN RAPPORT AVEC L'UTILISATION OU LA PERFORMANCE DE SES PRODUITS. Certains États ou provinces ne permettent pas l'exclusion ou la limite relative aux dommages directs, indirects ou spéciaux. Si tel est le cas, veuillez ne pas tenir compte de l'exclusion ou de la limite ci-dessus.**

Cette garantie vous donne des droits légaux spécifiques et il se peut que vous ayez d'autres droits qui varient d'un État ou d'une province à l'autre. Cette garantie annule toutes les autres garanties précédentes.

Pour le service sous garantie, vous devez (a) aviser Broan-NuTone LLC à l'une des adresses ou numéros de téléphone mentionnés ci-dessous, (b) donner le numéro du modèle et l'identification de la pièce et (c) décrire la nature de tout défaut dans le produit ou la pièce. Au moment de demander le service sous garantie, vous devez présenter une preuve de la date d'achat initiale dudit produit.

**Broan-NuTone LLC**, 926 West State Street, Hartford, WI 53027 (1 800 637-1453)

**NuTone Inc.**, 4820 Red Bank Road, Cincinnati, OH 45227 USA (1 800 543-8687)

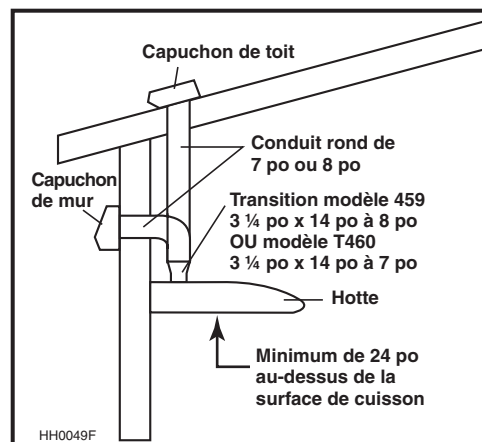
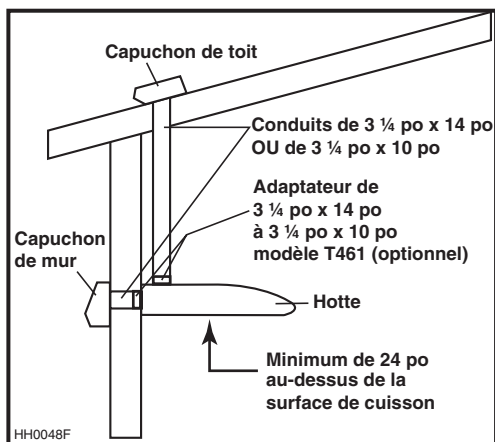
**Broan-NuTone Canada Inc.**, 1140, Tristar Drive, Mississauga (Ontario) L5T 1H9 CANADA (1 888 882-7626)

# 1. INSTALLATION DES CONDUITS

Planifier à quel endroit et de quelle façon les conduits seront installés. Installer des conduits de format adéquat, coude(s) et capuchon de mur ou de toit. Sceller les joints avec du ruban adhésif en toile de 2 po de largeur.

**La distance minimale entre le bas de votre hotte et la surface de cuisson ne doit pas être inférieure à 24 po. Un maximum de 30 po au dessus de la surface de cuisson est fortement recommandé pour une meilleure évacuation des odeurs de cuisson.**

Une distance de plus de 30 po demeure à la discrétion de l'installateur et de l'utilisateur.



# 2. PRÉPARATION DE L'INSTALLATION

S'assurer que les éléments suivants soient inclus :

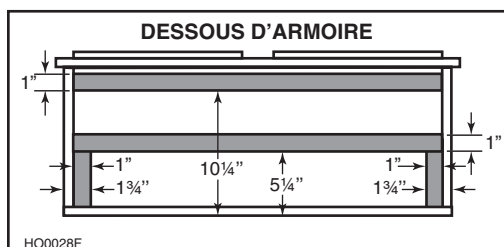
- Hotte
- Accessoires :
  - Filtres (2 pour les hottes de 30 po et de 36 po de large, 3 pour celles de 42 po de large)
  - Déviateur en plastique (assemblé dans la hotte)
  - Adaptateur/volet de 3 ¼ po x 14 po (à l'intérieur d'un embout en styromousse)
  - Sac de pièces (à l'intérieur d'un embout en styromousse) comprenant :
    - (1) serre-fil, (5) vis n° 8 x ½ po, (2) connecteurs et (3) vis standard n° 6 x ½ po

Pièces vendues séparément :

- Lampes halogènes (MR16, GU10, 120 V, 50 W)
- Transition ronde de 3 ¼ po x 14 po à 8 po, modèle 459 (optionnelle), transition ronde 3 ¼ po x 14 po à 7 po modèle T460 (optionnelle), adaptateur 3 ¼ po x 14 po à 3 ¼ po x 10 po modèle T461 (optionnel), conduits, coudes, volets, capuchon de mur ou de toit.

NOTES : 1. Protéger la surface de cuisson ou le comptoir de cuisine lors de l'installation.

2. Si le fond de l'armoire est en retrait, fixer 4 languettes de bois de 1 po de large (non incluses), pour combler l'espace afin de bien retenir la hotte à l'armoire. Voir ci-dessous pour le positionnement des languettes.

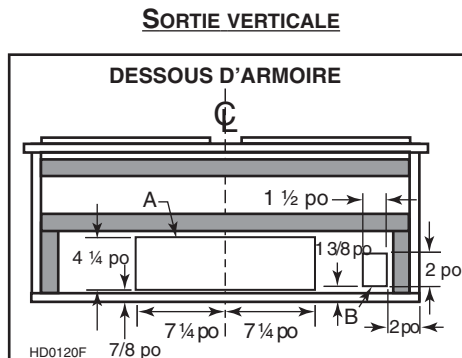
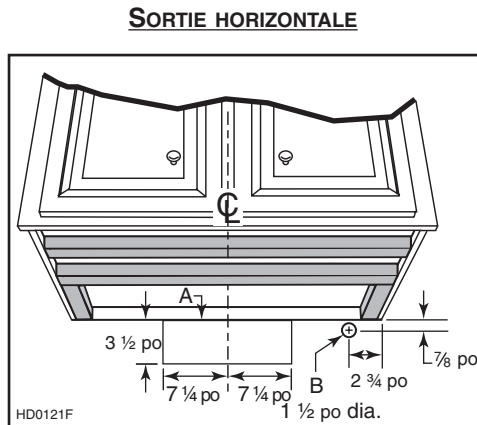




## 2. PRÉPARATION DE L'INSTALLATION (SUITE)

Découper, dans l'armoire ou le mur, les ouvertures pour le conduit (A) et le fil d'alimentation électrique (B), selon l'évacuation choisie (horizontale ou verticale). Voir les illustrations ci-dessous.

NOTE : Si l'adaptateur optionnel de 3 ¼ po x 14 po à 3 ¼ po x 10 po (modèle T461) sera utilisé, la largeur de l'ouverture du conduit (A dans les illustrations ci-dessous) sera de 10 ½ po, centrée.

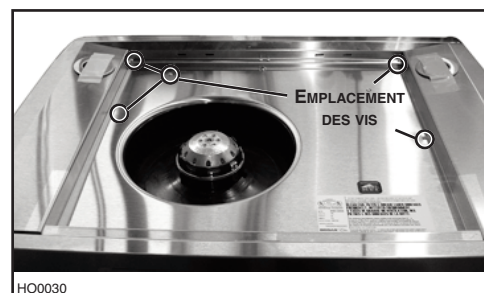


## 3. PRÉPARATION DE LA HOTTE

3.1 Tirer sur le loquet des filtres pour les retirer de la hotte.



3.2 Enlever les 5 vis retenant le panneau inférieur à la hotte et mettre de côté. Retirer le panneau inférieur.



3.3 Défoncer l'ouverture préamorcée appropriée pour le branchement électrique.

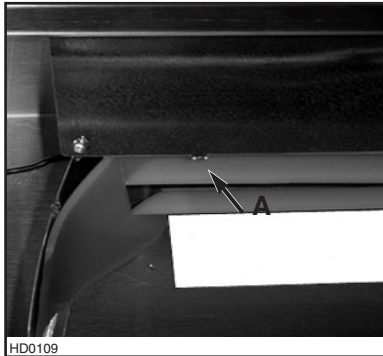
### 3. PRÉPARATION DE LA HOTTE (SUITE)

#### INSTALLATION AVEC SORTIE VERTICALE SEULEMENT :

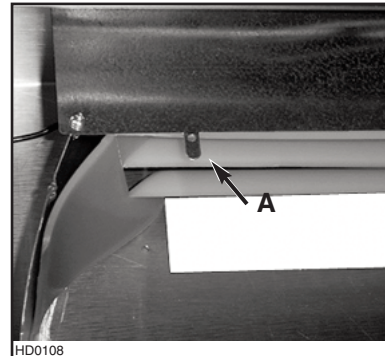
La hotte est prémontée en usine pour une évacuation verticale. Aller à l'étape 4 en page 19. Commencer au point 4.4.

#### INSTALLATION AVEC SORTIE HORIZONTALE SEULEMENT :

3.4 Par l'intérieur de la hotte, déplier la languette de retenue (A) (située sur le bord de l'ouverture pour le ventilateur) sur le bord du diffuseur. Voir les photos ci-dessous.

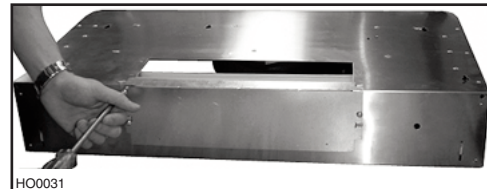


Languette pliée

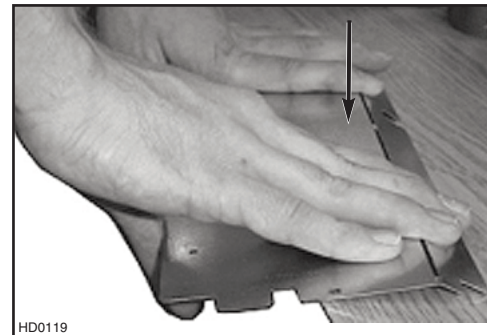


Languette dépliée

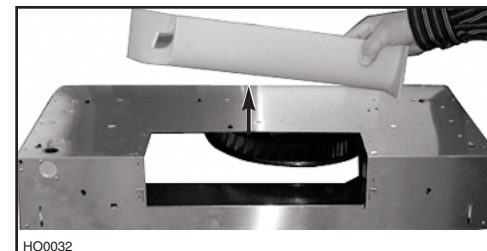
3.5 Dévisser les 3 vis retenant la plaque métallique à l'arrière de la hotte. Mettre les vis de côté.



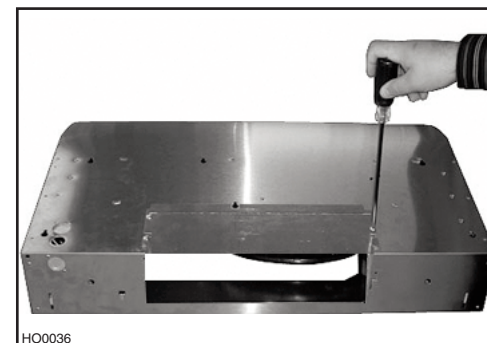
3.6 Redresser le côté plié en appuyant la plaque métallique sur une surface plane.



3.7 Glisser le déviateur hors de la hotte et s'en départir.



3.8 À l'aide des 3 vis (retirées au point 3.5), fixer la plaque métallique sur le dessus de la hotte.



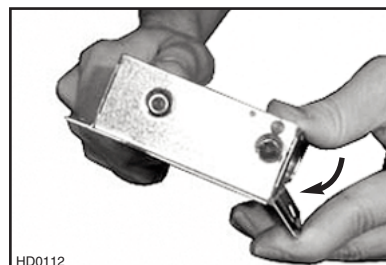
## 4. INSTALLATION DE L'ADAPTATEUR/VOLET

Le conduit doit être bien préparé pour recevoir l'adaptateur. Avant d'installer la hotte, s'assurer que l'adaptateur entre aisément à l'intérieur du conduit. Si cette hotte remplace une autre, veuillez noter que la localisation de la sortie de l'air peut varier d'un fabricant à l'autre.

NOTE : Si l'adaptateur optionnel de 3 ¼ po x 14 po à 3 ¼ po x 10 po (modèle T461) est utilisé, se départir de l'adaptateur fourni avec la hotte et effectuer l'étape 4 avec l'adaptateur optionnel T461.

### INSTALLATION AVEC SORTIE HORIZONTALE SEULEMENT :

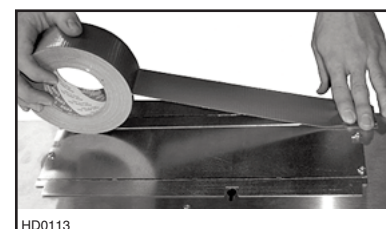
4.1 Plier le rebord pliable de façon à ce qu'il se situe à 90° par rapport aux autres rebords. Voir la photo ci-contre.



4.2 À l'aide des (3) vis n° 6 x ½ po (fournies), fixer l'adaptateur à l'arrière de la hotte. Retirer le ruban adhésif sur le volet de l'adaptateur.

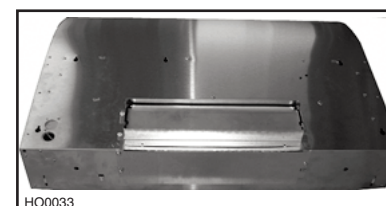


4.3 Sceller l'adaptateur et la plaque de métal à la hotte à l'aide de ruban adhésif en toile.

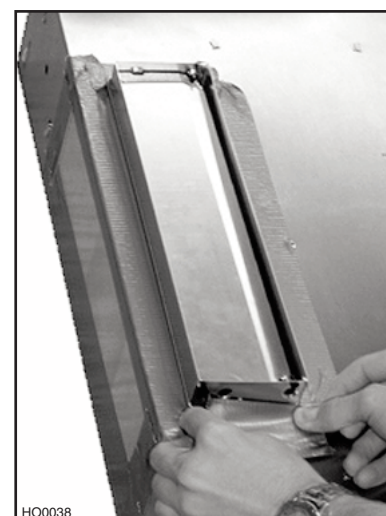


### INSTALLATION AVEC SORTIE VERTICALE SEULEMENT :

4.4 À l'aide des (3) vis n° 6 x ½ po (fournies), fixer l'adaptateur sur le dessus de la hotte. Retirer le ruban adhésif sur le volet de l'adaptateur.



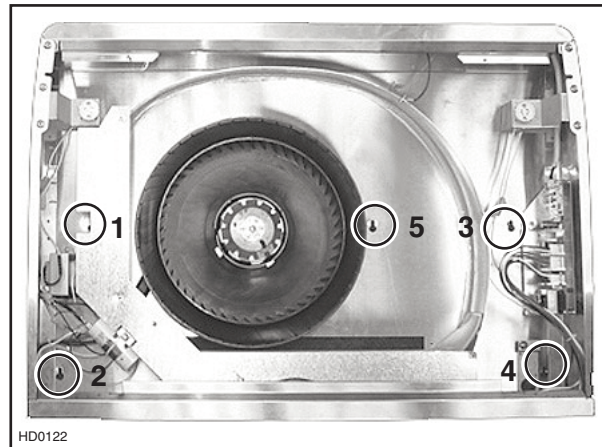
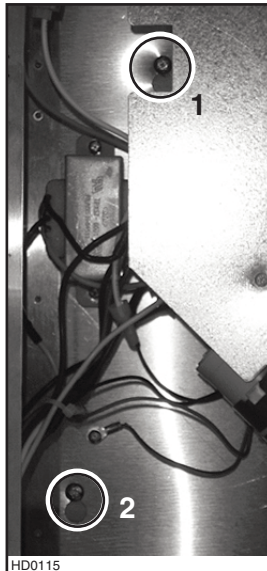
4.5 Sceller l'adaptateur et la plaque de métal à la hotte à l'aide de ruban adhésif en toile.



## 5. INSTALLATION DE LA HOTTE

5.1 Passer l'alimentation électrique jusqu'à l'endroit de l'installation. Placer la hotte à son emplacement. À l'aide d'un crayon, marquer la position des vis (petite partie des trous en forme de poire, voir les photos ci-dessous pour la localisation des (5) trous). Enlever la hotte.

5.2 Visser (4) vis n° 8 x 1/2 po en laissant un espace de 1/8 po (ne pas installer tout de suite la vis n° 5).



5.3 Insérer le serre-fil, passer le cordon d'alimentation électrique dans la hotte et serrer le serre-fil pour maintenir le cordon en place. Placer la hotte sous l'armoire et la glisser en position. S'assurer que l'adaptateur entre dans le conduit. Visser complètement les (4) vis, puis ajouter la dernière vis (vis n° 5) dans le trou du centre en forme de poire. S'assurer que le volet de l'adaptateur s'ouvre librement.

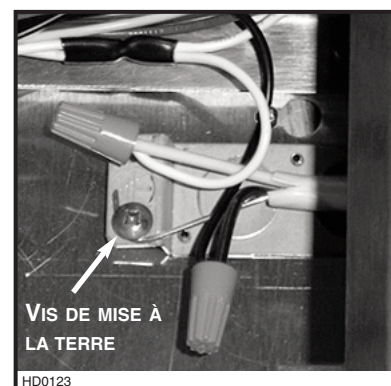
## 6. BRANCHEMENT ÉLECTRIQUE

### ⚠ AVERTISSEMENT

Risque d'électrocution. Le raccordement électrique doit être effectué par du personnel qualifié conformément aux codes et aux standards. Avant d'effectuer le branchement, coupez l'alimentation électrique au tableau de distribution principal et verrouillez-le pour éviter une mise en marche accidentelle.

Connecter les fils à la hotte en utilisant les connecteurs fournis.

Connecter le fil NOIR au NOIR, le BLANC au BLANC et le VERT ou FIL DÉNUDÉ sous la vis VERTE de mise à la terre. **NE PAS OUBLIER DE CONNECTER LA MISE À LA TERRE.**

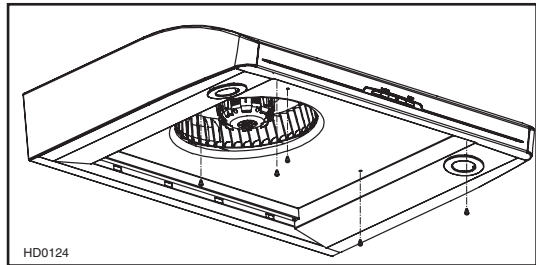


## 7. RÉINSTALLATION DU PANNEAU INFÉRIEUR

Réinstaller le panneau inférieur et le fixer à la hotte à l'aide de ses 5 vis provenant de l'étape 3, tel qu'il est illustré ci-contre. Réinstaller les filtres.

### ATTENTION

**Avant d'installer les filtres, retirer le film protecteur de plastique.**



## 8. LAMPES HALOGÈNES

Cette hotte utilise des ampoules halogènes avec écran de type MR16, GU10, 120 V, 50 W maximum (**non incluses**).

### ⚠ AVERTISSEMENT

**Afin d'éviter le risque de blessures corporelles, ne pas installer une ampoule conçue uniquement pour des luminaires fermés.**

NOTE : Avant d'installer les lampes halogènes, retirer les anneaux métalliques du panneau inférieur de la hotte.

- 8.1 Installer les ampoules en glissant leurs conducteurs dans les rainures, à l'intérieur des douilles. Pousser doucement vers le haut et tourner dans le sens des aiguilles d'une montre jusqu'à ce que les ampoules soient bien en place.



- 8.2 Installer les anneaux métalliques en les poussant doucement vers le haut jusqu'à ce qu'ils soient bien en place.



### ⚠ AVERTISSEMENT

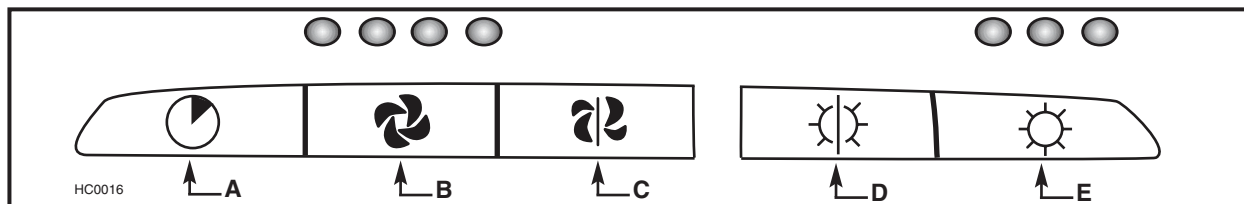
**Afin d'éviter le risque de blessures corporelles, attendre que l'ampoule halogène soit refroidie avant de la retirer.**

- 8.3 Pour retirer l'ampoule, pousser doucement vers le haut et tourner dans le sens contraire des aiguilles d'une montre pour désengager les conducteurs hors de leurs rainures.



## 9. FONCTIONNEMENT

Toujours mettre en marche la hotte avant de commencer la cuisson afin d'établir une circulation d'air dans la cuisine. Aussi, laisser la hotte fonctionner quelques minutes après l'arrêt de la cuisinière afin d'aérer.



- A) Commande d'arrêt différé
- B) Commande de mise en marche/Vitesse du ventilateur
- C) Commande d'arrêt du ventilateur
- D) Commande d'arrêt d'éclairage
- E) Commande des lampes halogènes

### **A. COMMANDE D'ARRÊT DIFFÉRÉ :**

Lorsque le ventilateur est en marche, appuyer sur ce bouton pour activer la fonction d'arrêt différé. L'indicateur lumineux de vitesse correspondante commencera à clignoter pour indiquer que la fonction est activée. Le ventilateur continuera de fonctionner pendant 5 minutes, puis s'arrêtera automatiquement. Pour annuler la fonction d'arrêt différé, appuyer de nouveau sur ce bouton.

NOTE : Lorsque la fonction d'arrêt différé est activée, la vitesse du ventilateur peut être augmentée ou diminuée à l'intérieur du même cycle de 5 minutes.

### **B. COMMANDE DE MISE EN MARCHÉ/VITESSE DU VENTILATEUR :**

Appuyer sur ce bouton pour mettre en marche le ventilateur; il démarrera à la même vitesse réglée avant son dernier arrêt. Pour changer la vitesse du ventilateur, appuyer de nouveau sur le bouton jusqu'à l'obtention de la vitesse désirée.

NOTES : 1. À chaque fois que l'on appuie sur ce bouton, la vitesse change par incrément de 1 (ex. : de la vitesse 1, à 2, à 3, puis à 4. À partir de la quatrième vitesse, le ventilateur revient à la première [1]).

2. La dernière vitesse utilisée est gardée en mémoire. Lorsque le ventilateur est activé de nouveau, il reprend la même vitesse qu'au dernier réglage, sauf pour la 4<sup>e</sup> vitesse, où il se met en marche à la vitesse 3.

### **HEAT SENTRY**

Votre hotte est équipée d'un capteur de température appelé HEAT SENTRY. Ce capteur mettra en marche automatiquement le ventilateur ou augmentera sa vitesse s'il détecte une chaleur excessive au-dessus de la surface de cuisson.

- 1) Si le ventilateur n'est pas en marche, il l'active à la 3<sup>e</sup> vitesse.
- 2) Si le ventilateur est en marche à une vitesse inférieure ou en 4<sup>e</sup> vitesse, il l'active à la 3<sup>e</sup> vitesse.

Lorsque le capteur HEAT SENTRY est activé, les indicateurs lumineux de la première et de la dernière vitesse clignotent alternativement. Lorsque la température revient à la normale, la vitesse du ventilateur retourne à sa position originale.

## **⚠ AVERTISSEMENT**

**Le capteur HEAT SENTRY peut activer le ventilateur même si la hotte est arrêtée. Dans ce cas, il est impossible d'arrêter le ventilateur à l'aide de son bouton d'arrêt. Pour éviter que le ventilateur ne démarre, couper l'alimentation électrique au tableau de distribution principal.**

### **C. COMMANDE D'ARRÊT DU VENTILATEUR :**

Appuyer sur ce bouton pour arrêter le ventilateur et annuler la fonction d'arrêt différé (si activée).

### **D. COMMANDE D'ARRÊT D'ÉCLAIRAGE :**

Appuyer sur ce bouton pour éteindre les lumières.

### **E. COMMANDE DES LAMPES HALOGÈNES :**

Appuyer sur ce bouton pour allumer les lampes halogènes. L'intensité d'éclairage change par incrément de 1 (ex. : appuyer une fois pour la basse intensité, une autre fois pour un peu plus d'éclairage, une fois encore pour un peu plus, jusqu'à trois fois). Depuis la plus haute intensité, appuyer de nouveau pour retourner à la plus basse.

NOTE : La dernière intensité lumineuse utilisée est gardée en mémoire. La prochaine fois que l'éclairage sera utilisé, les lampes halogènes éclaireront à cette intensité.

### **PROCÉDURE DE REMISE À ZÉRO :**

Dans le cas où les commandes ne répondraient plus, couper l'alimentation électrique au tableau de distribution principal durant 5 secondes. Puis, rétablir le courant. Le fonctionnement des commandes sera rétabli.

## 10. ENTRETIEN

### Filtres et panneau inférieur

Les filtres et le panneau inférieur doivent être nettoyés régulièrement. Utiliser de l'eau chaude additionnée de détergent. Pour retirer les filtres, tirer sur leurs loquets en les poussant vers l'arrière de la hotte et les désengager de celle-ci.

ACIER INOXYDABLE : Comment maintenir son apparence étincelante.

#### À faire :

- Laver régulièrement les surfaces à l'aide d'un chiffon ou d'un linge propre imbibé d'eau tiède et de savon doux ou d'un détergent à vaisselle.
- Toujours nettoyer dans la direction des lignes de grains (direction du polissage).
- Toujours bien rincer avec de l'eau propre (2 ou 3 fois) après le nettoyage et essuyer complètement.
- Un nettoyeur domestique conçu spécialement pour l'acier inoxydable peut aussi être utilisé.

#### À ne pas faire :

- N'utiliser aucune laine d'acier ou d'acier inoxydable ou tout autre grattoir pour enlever la saleté tenace.
- N'utiliser aucune poudre nettoyante abrasive ou rugueuse.
- Ne pas laisser la saleté s'accumuler.
- Ne pas laisser la poussière de plâtre ou tout autre résidu de construction/rénovation atteindre la hotte. Couvrir la hotte pour la durée des travaux pour s'assurer qu'aucune poussière n'adhère à la surface de l'acier.

#### À éviter lors du choix d'un détergent :

- Tous produits nettoyants qui contiennent des **agents de blanchiment**; ils attaqueront l'acier inoxydable.
- Tous produits contenant du **chlorure, fluorure, iode** ou **bromure**; ils détérioreront rapidement les surfaces.
- Tous **produits combustibles** utilisés pour le nettoyage : **acétone, alcool, éther, benzène**, etc.; ils sont hautement explosifs et ne devraient jamais être utilisés près d'une cuisinière.

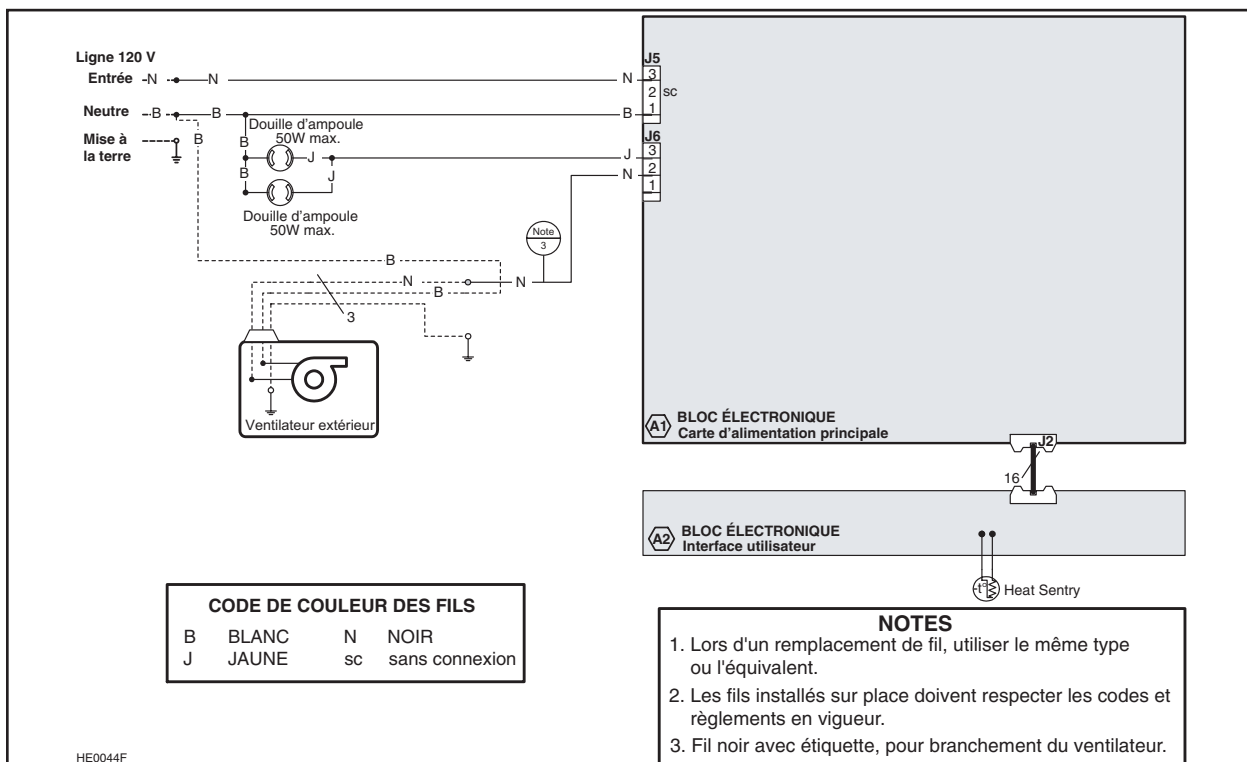
#### SURFACES PEINTES :

Nettoyer avec de l'eau chaude additionnée de détergent doux seulement. S'il y a décoloration, utiliser une bonne cire à peinture telle qu'une cire automobile. (NE PAS utiliser de nettoyeur abrasif ou de nettoyeur à porcelaine).

## 11. SCHÉMA ÉLECTRIQUE

### ⚠ AVERTISSEMENT

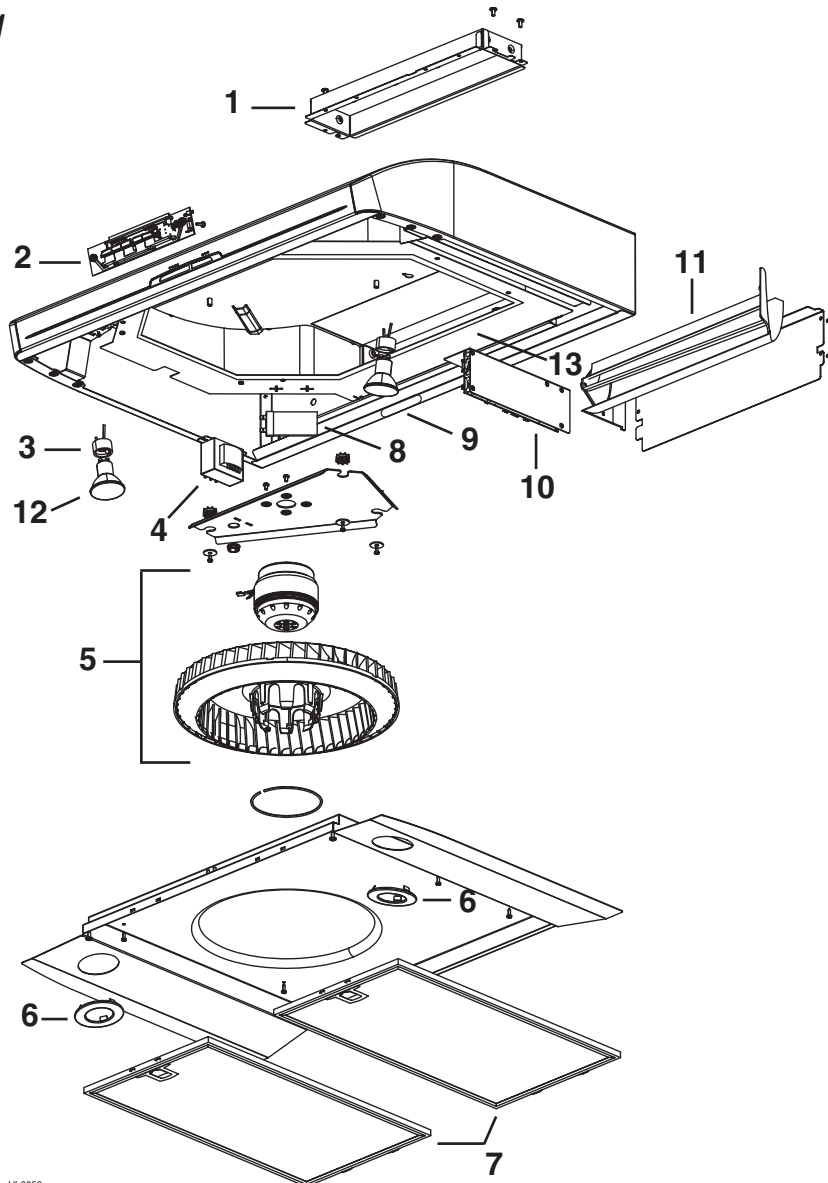
**Risque d'électrocution. Le raccordement électrique doit être effectué par du personnel qualifié conformément aux codes et aux standards. Avant d'effectuer le branchement, coupez l'alimentation électrique au panneau de service et verrouillez-le pour éviter une mise en marche accidentelle.**



HE0044F

## 12. PIÈCES DE RECHANGE

MODÈLE E661



HL0052

N° de repère	N° de pièce	DESCRIPTION	LARGEUR (po)		
			30	36	42
1	V14971	ADAPTATEUR/VOLET	1	1	1
2	V06118	COMMANDE ÉLECTRONIQUE	1	1	1
3	V05917	DOUILLE D'AMPOULE	2	2	2
4	V06735	ENSEMBLE HARNAIS ET TRANSFORMATEUR	1	1	1
5	V01766E	MOTEUR (AVEC ROUE)	1	1	1
6	V06268	ANNEAU MÉTALLIQUE	2	2	2
7	V06244	FILTRES 9,92 PO X 17,981 PO	2	—	3
	V06264	FILTRES 12,922 PO X 17,981 PO	—	2	—
8	V02160	CONDENSATEUR	1	1	1
9	V06750	LOGO BROAN ELITE	1	1	1
10	V06733-1	UNITÉ MAÎTRESSE	1	1	1
11	V06252	DÉVIATEUR	1	1	1
12	V05921	AMPOULE HALOGÈNE (50 W, 120 V, GU10)	2	2	2
13	V03443	LISIÈRE DE MOUSSE	1	1	1
*	V06734	HARNAIS DE BASSE TENSION	1	—	—
	V06745	HARNAIS DE BASSE TENSION	—	1	—
	V06746	HARNAIS DE BASSE TENSION	—	—	1
*	V06112	GUIDE D'INSTALLATION	1	1	1
*	V06751	SAC DE PIÈCES (1) serre-fil LP16-AP,	1	1	1
		(2) connecteurs n° 74B, (5) vis n° 8 x ½ po,			
		(3) vis n° 6 x ½ po)			

\* Non illustré.



## INSTRUCCIONES DE INSTALACIÓN

---

# **BROAN**<sup>®</sup> *Elite*



## **MODELO E661**

**⚠ EXCLUSIVAMENTE PARA COCINAS DOMÉSTICAS ⚠**

**LEA ESTAS INSTRUCCIONES Y GUÁRDELAS**

**INSTALADOR: ENTREGUE ESTE MANUAL AL PROPIETARIO DE LA CASA.  
PROPIETARIO: INFORMACIÓN SOBRE UTILIZACIÓN Y CUIDADO EN  
LAS PÁGINAS 34-35.**

---

**Broan-NuTone LLC**, 926 West State Street, Hartford, WI 53027 USA (1-800-637-1453)

**NuTone Inc.**, 4820 Red Bank Road, Cincinnati, OH 45227 USA (1-800-543-8687)

**Broan-NuTone Canada Inc.**, 1140 Tristar Drive, Mississauga, ON L5T 1H9 CANADA (1-888-882-7626)

V06112 rev. F

## ADVERTENCIA

### **PARA REDUCIR EL RIESGO DE INCENDIO, DESCARGA ELÉCTRICA, O LESIÓN CORPORAL, RESPETE LAS SIGUIENTES INDICACIONES:**

1. Utilice esta unidad únicamente de la forma en que indica el fabricante. Si tiene cualquier pregunta, póngase en contacto con el fabricante en la dirección o el teléfono que aparecen en la garantía.
2. Antes de reparar o limpiar el aparato, apáguelo en el tablero de servicio y bloquee los medios de desconexión para impedir que la corriente se conecte accidentalmente. Cuando no se pueda bloquear los medios de desconexión, coloque un dispositivo de advertencia visible (como una tarjeta) en el tablero de servicio.
3. La instalación y la conexión eléctrica deben ser realizadas por personal competente de acuerdo con todos los códigos y las normas aplicables, incluso los relativos a la construcción ignífuga.
4. Para lograr una combustión adecuada y una extracción correcta de los gases a través de la salida del humo (chimenea) del equipo quemador de combustible - evitando así el contratiempo - es necesario disponer de aire suficiente. Siga las directrices del fabricante del equipo de material térmico y las normas de seguridad, como las que publica la NFPA (asociación de protección nacional contra los incendios), y la ASHRAE (sociedad estadounidense de técnicos de calefacción, refrigeración y aire acondicionado), así como los códigos de los organismos responsables locales.
5. Al cortar o perforar la pared o el techo, procure no dañar el cableado eléctrico ni otras instalaciones ocultas.
6. Los ventiladores entubados deben tener salida siempre al exterior.
7. No use este aparato con ningún otro dispositivo de control de velocidad con semiconductores.
8. Para reducir el riesgo de incendio, utilice sólo tuberías metálicas.
9. Este aparato debe conectarse a tierra.

### **PARA REDUCIR EL RIESGO DE QUE ARDA LA GRASA EN LA PARTE SUPERIOR DE LA COCINA:**

- a) No deje nunca recipientes de cocina a fuego vivo sin vigilancia. Los desbordamientos producen humo y derrames grasiosos que pueden inflamarse. Caliente el aceite despacio, a fuego lento o mediano.
- b) Ponga en marcha siempre la campana extractora al cocinar a temperaturas elevadas o al cocinar alimentos flameados (crepas Suzette, cerezas jubilee, res con pimienta flambeada).
- c) Limpie los ventiladores con frecuencia. No deje que la grasa se acumule en el ventilador ni en el filtro.
- d) Utilice cacerolas de tamaño apropiado. Emplee siempre un recipiente adecuado para el tamaño de la placa.

## ADVERTENCIA

### **PARA REDUCIR EL RIESGO DE LESIONES CORPORALES EN EL CASO DE QUE ARDA LA GRASA EN LA PARTE SUPERIOR DE LA COCINA, SIGA ESTAS INDICACIONES\*:**

1. SOFOQUE LAS LLAMAS con una tapa ajustada, una hoja o bandeja metálica para hornear galletas, y apague luego el quemador. TENGA CUIDADO PARA EVITAR QUEMADURAS. SI LA LLAMAS NO SE APAGAN INMEDIATAMENTE, EVACUE EL LUGAR Y LLAME A LOS BOMBEROS.
2. NO SUJETE NUNCA UNA SARTÉN EN LLAMAS – Ya que podría quemarse.
3. NO USE AGUA, ni trapos húmedos - Podría causar una violenta explosión de vapor.
4. Utilice un extintor SOLAMENTE si:
  - A. Tiene un extintor de tipo ABC y sabe usarlo.
  - B. El incendio es pequeño y está restringido al área donde empezó.
  - C. Ya ha llamado a los bomberos.
  - D. Puede tratar de apagar el fuego si dispone siempre de una salida detrás de usted.

\* Fuente: "Kitchen Fire Safety Tips" publicado por la (NFPA).

## **PRECAUCIÓN**

1. Sólo para ventilación general. No debe utilizarse para extraer materiales o vapores peligrosos o explosivos.
2. Para evitar daños en el cojinete del motor y que la hélice haga ruido o se desequilibre, mantenga la unidad de alimentación lejos de devaporizadores de pirca, del polvo de la construcción, etc.
3. El motor del dispositivo tiene un dispositivo contra sobrecargas térmicas que apaga el motor automáticamente si éste se sobrecalienta. El motor volverá a ponerse en marcha cuando se enfríe. Si el motor sigue apagándose, haga examina la campana.
4. La distancia mínima entre la campana y la superficie de la cocina no debe ser inferior a 24 pulgadas. Se aconseja encarecidamente una distancia máxima de 30 pulgadas para que la campana capte mejor las impurezas que se desprenden al cocinar.
5. Dada el peso y el tamaño de esta campana, se aconseja que la instalen dos personas.
6. Para reducir los riesgos de incendio y extraer el aire debidamente, el aire debe evacuarse fuera – No extraiga el aire en espacios situados entre las paredes en el techo o en el desván, falso techo o garaje.
7. Este producto está equipado con un termostato que puede poner en marcha el ventilador automáticamente. Para reducir el riesgo de que se produzcan daños y evitar poner en marcha la alimentación accidentalmente, apague la corriente en el tablero de servicio, bloquee este tablero o ponga una etiqueta de advertencia.
8. Dada la gran capacidad extractora de esta campana, debería asegurarse de que en la casa entra suficiente aire para sustituir el aire extraído. Abra para ello una ventana o cerca de ella.
9. Utilícelo sólo con un conjunto autorizado de conexión con cordón.
10. Para mayor información y conocer los requisitos, lea la etiqueta con las especificaciones en el producto.

# ÍNDICE

1. INSTALACIÓN DE LA TUBERÍA . . . . .	.28
2. PREPARACIÓN DE LA INSTALACIÓN . . . . .	.28-29
3. PREPARACIÓN DE LA CAMPANA . . . . .	.29-30
4. INSTALACIÓN DEL ADAPTADOR . . . . .	.31
5. INSTALACIÓN DE LA CAMPANA . . . . .	.32
6. CONEXIÓN DEL CABLEADO . . . . .	.32
7. INSTALACIÓN DEL TABLERO INFERIOR . . . . .	.33
8. BOMBILLAS . . . . .	.33
9. FUNCIONAMIENTO . . . . .	.34
10. UTILIZACIÓN Y CUIDADO . . . . .	.35
11. DIAGRAMA ELÉCTRICO . . . . .	.35
12. PIEZAS . . . . .	.36

## GARANTÍA

### GARANTÍA BROAN-NUTONE LLC DE UN AÑO

Broan-NuTone LLC garantiza al consumidor comprador original de sus productos que dichos productos carecen de defectos en materiales o en mano de obra por un período de un año a partir de la fecha de compra original. NO EXISTEN OTRAS GARANTÍAS, EXPRESAS O IMPLÍCITAS, INCLUYENDO - AUNQUE SIN LIMITARSE A ELLAS - LAS GARANTÍAS IMPLÍCITAS, DE APTITUD O IDONEIDAD PARA UN PROPÓSITO PARTICULAR. Durante el período de un año, y a su propio criterio, Broan-NuTone LLC reparará o reemplazará sin costo todo producto o pieza que se considere defectuosa en condiciones normales de servicio y uso.

Esta garantía no cubre (a) el mantenimiento y servicios normales ni (b) ningún productos o pieza mal utilizado o que hayan sido objeto de negligencia, accidente, mantenimiento o reparación inadecuados (por compañías distintas a Broan-NuTone LLC), instalación defectuosa, o instalación no conforme a las instrucciones de instalación recomendadas.

La duración de cualquier garantía implícita se limita a un periodo de un año, como se indica en la garantía expresa. Algunos estados o provincias no permiten limitaciones en cuanto al tiempo de expiración de una garantía implícita, por lo que la limitación antes mencionada puede que no se aplique en su caso.

**LA OBLIGACIÓN DE BROAN-NUTONE LLC DE REPARAR O REEMPLAZAR, CON ARREGLO A SU PROPIO CRITERIO, SERÁ EL ÚNICO RECURSO LEGAL DEL COMPRADOR CONFORME A ESTA GARANTÍA. BROAN -NUTONE LLC NO SE HACE RESPONSABLE DE LOS DAÑOS ADICIONALES, CONSECUENTES O ESPECIALES QUE SURJAN O ESTÉN RELACIONADOS CON EL USO O EL RENDIMIENTO DEL PRODUCTO.**

**Algunos estados o provincias no permiten la exclusión o limitación de daños adicionales o consecuentes, por lo que la limitación o exclusión antes mencionada puede que no se aplique en su caso.**

Esta garantía le proporciona derechos legales específicos, aunque usted también puede tener otros derechos, que varían de un estado a otro, o de una provincia a otra. Esta garantía reemplaza todas las garantías anteriores.

Para tener derecho al servicio de garantía, debe usted (a) Informar a Broan-NuTone LLC, a una de las direcciones o teléfonos que aparecen abajo, (b) Dar el número del modelo y el número de identificación de la pieza y (c) Describir el tipo de defecto en el producto o pieza. En el momento de solicitar servicio cubierto por la garantía, deberá presentar una prueba de la fecha de compra original.

**Broan-NuTone LLC**, 926 West State Street, Hartford, WI 53027 USA (1-800-637-1453)

**NuTone Inc.**, 4820 Red Bank Road, Cincinnati, OH 45227 USA (1-800-543-8687)

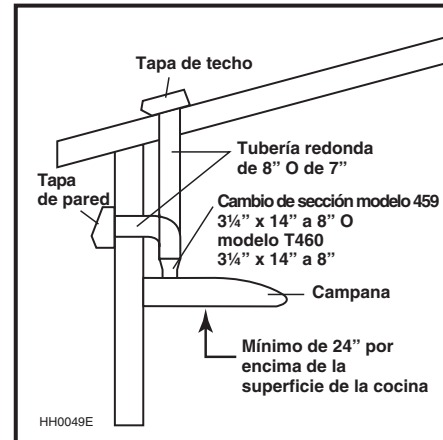
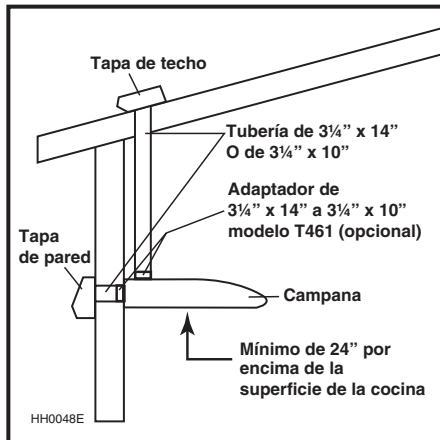
**Broan-NuTone Canada Inc.**, 1140 Tristar Drive, Mississauga, ON L5T 1H9 CANADA (1-888-882-7626)

# 1. INSTALACIÓN DE LA TUBERÍA

Planifique el lugar y la forma en que se instalará la tubería. Instale una tubería, codos y tapas de tamaños adecuados. Utilice cinta para tubos de 2 pulgadas para obturar las juntas de los tubos.

**La distancia mínima entre la campana y la superficie de la cocina no debe ser inferior a 24 pulgadas. Se aconseja encarecidamente una distancia máxima de 30 pulgadas para que la campana capte mejor las impurezas que se desprenden al cocinar.**

Las distancias superiores a 30 pulgadas son a discreción del instalador o del usuario.



# 2. PREPARACIÓN DE LA INSTALACIÓN

Compruebe que el aparato viene con los elementos siguientes:

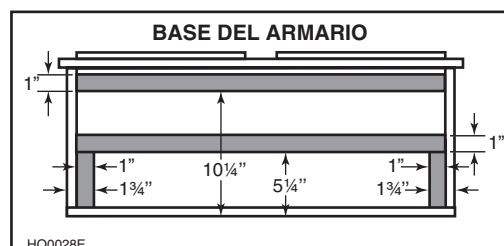
- Campana
- Accesorios:
  - Filtros (2 para las campanas de 30" y 36" de ancho; 3 para la campana de 42" de ancho)
  - Desviador de corriente (junto a la campana)
  - Adaptador 3/4" x 14" (en una tapa blanca que protegida la campana)
  - Bolsa con piezas (en una tapa blanca que protegida la campana), que comprende:
    - (1) abrazadera de cable, (5) tornillos n.º 8 de 1/2", (2) conectores de hilos y (3) tornillos estándar n.º 6 de 1/2"

Piezas vendida aparte:

- Luces halógenas (MR16, GU10, 120 V, 50 W)
- Cambio de sección de 3/4" x 14" a 8" redondo, modelo n.º 459 (opcional), cambio de sección de 3/4" x 14" a 7" redondo, modelo n.º T460 (opcional), adaptador 3/4" x 10" 3/4" x 14" a 3/4" x 10" modelo n.º T461 (opcional), tuberías, codos, reguladores de tiro, tapas de pared o de techo.

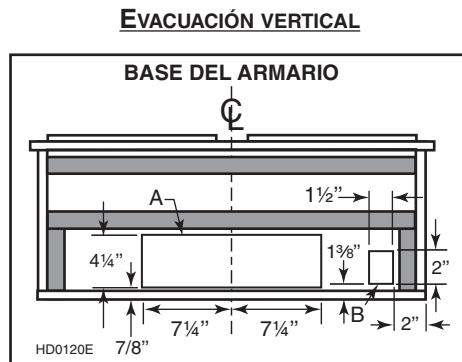
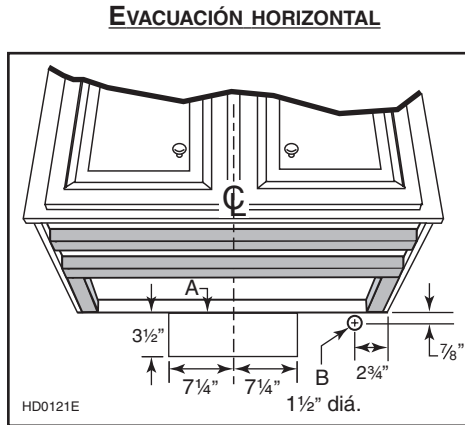
NOTAS: 1. Proteja la encimera y la parte superior de la cocina durante la instalación.

2. Si la parte inferior del armario está empotrada, instale 4 tiras de madera de 1" de ancho (no incluidas), para llenar el espacio. Consulte la imagen de al lado para instalar adecuadamente las tiras de madera.



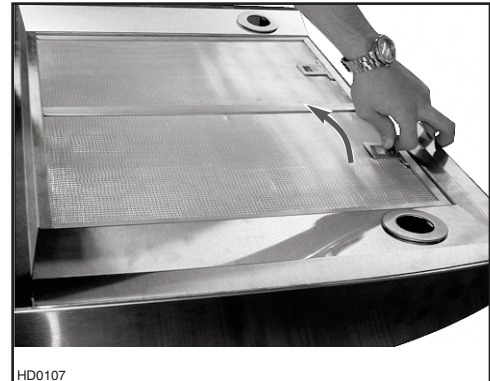
## 2. PREPARACIÓN DE LA INSTALACIÓN (CONTINUACIÓN)

Corte las aberturas para la tubería (A) y el cable de alimentación (B) en el armario o en la pared, según el tipo de evacuación que se haya elegido (horizontal o vertical). Véanse las siguientes imágenes. NOTA: Si el adaptador opcional 3¼" x 14" a 3¼" x 10" modelo T461 debe ser utilizado, la anchura de la abertura para la tubería (A en las imágenes siguientes) debe ser de 10½", centrada.



## 3. PREPARACIÓN DE LA CAMPANA

3.1 Saque los filtros de la campana tirando de la lengüetas.



3.2 Retirar los 5 tornillos que sujetan el tablero inferior a la campana y póngalos de lado. Saque el tablero inferior.



3.3 Perfore el agujero prepunzonado adecuado para la conexión eléctrica.

### 3. PREPARACIÓN DE LA CAMPANA (CONTINUACIÓN)

#### SÓLO PARA EVACUACIÓN VERTICAL:

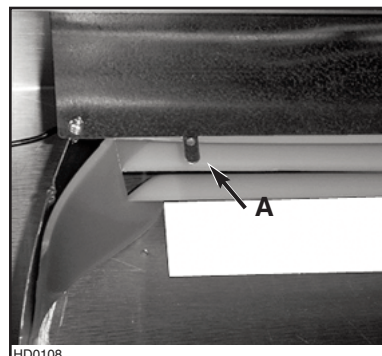
La campana esta preparada a la fábrica para un evacuación vertical. Ida a la etapa 4 (página 31). Empezar al punto 4.4.

#### SÓLO PARA EVACUACIÓN HORIZONTAL

3.4 Abra dentro de la campana la pequeña lengüeta (A) (situada en el borde de la abertura del ventilador) en el lado del difusor de aire. Véanse las imágenes siguientes.

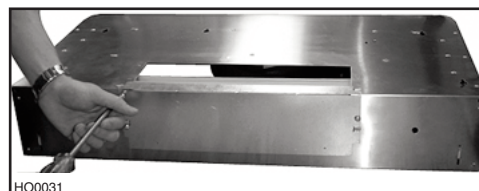


Lengüeta cerrada

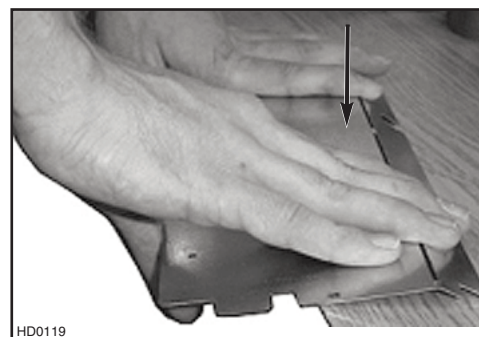


Lengüeta abierta

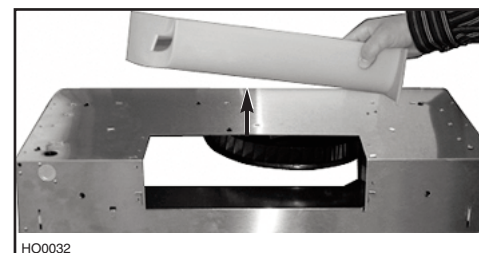
3.5 Retire la placa metálica hasta de la parte trasera de la campana.



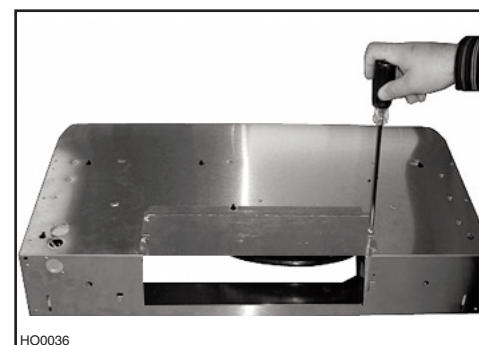
3.6 Presione hacia abajo en la placa metálica hasta que quede totalmente plana.



3.7 Saque el deflector de la parte superior de la campana y deséchelo.



3.8 Instale la placa metálica en la parte superior de la campana utilizando para ello sus 3 tornillos.



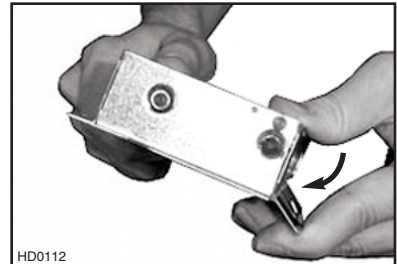
## 4. INSTALACIÓN DEL ADAPTADOR

La tubería de pared debe estar bien preparada para colocar en ella el adaptador. Antes de efectuar la instalación, compruebe que el adaptador entra bien en la tubería. Si la campana que está instalado sustituye a otra, tenga en cuenta que el lugar de la evacuación del aire puede cambiar de un fabricante a otro.

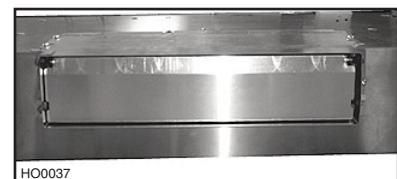
NOTA: Si el adaptador opcional 3¼" x 14" a 3¼" x 10" modelo T461 es utilizado, deséchelo el adaptador incluido con la campana y hace la etapa 4 con el adaptador opcional T461.

### SÓLO PARA EVACUACIÓN HORIZONTAL:

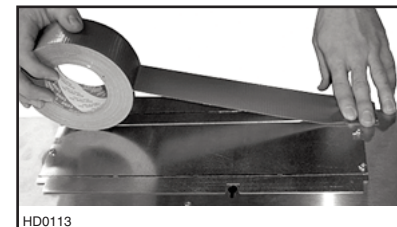
4.1 Despliegue el reborde desplegable del adaptador. Este reborde debe estar a 90° de los otros rebordes. Véase la foto de al lado.



4.2 Utilice los (3) tornillos n.º 6 de ½" que vienen con la campana para sujetar el adaptador a la parte trasera de la campana. Retire la cinta del regulador de tiro.

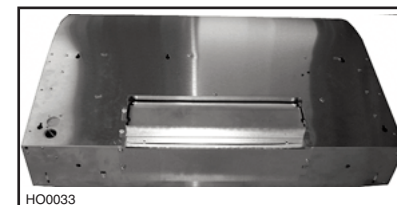


4.3 Pegue el adaptador y la placa metálica en la campana con cinta para tubos.

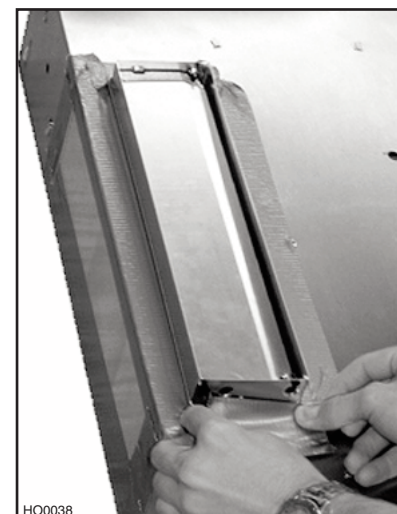


### SÓLO PARA EVACUACIÓN VERTICAL:

4.4 Utilice los (3) tornillos n.º 6 de ½" que vienen con la campana para sujetar el adaptador a la parte superior de la campana. Retire la cinta del regulador de tiro.

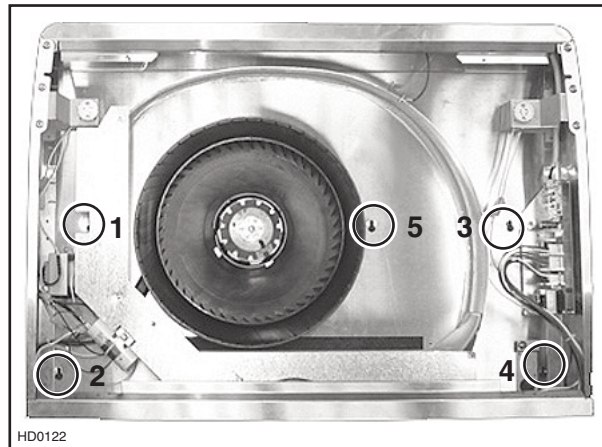


4.5 Pegue el adaptador y la placa metálica en la campana con cinta para tubos.



## 5. INSTALACIÓN DE LA CAMPANA

- 5.1 Lieve el cable de alimentación hasta el lugar de la instalación. Coloque la campana en su lugar. Marque con un lápiz el lugar de los tornillos (parte más pequeña de los agujeros, véanse las fotos de abajo para los (5) agujeros) Saque la campana.
- 5.2 Instale (4) tornillos n.º 8 de 1/2" dejando un espacio de 1/8" (no instalar enseguida el tornillo n.º 5).



- 5.3 Coloque la abrazadera de cable, introduzca el cable de alimentación en la campana y apriete la abrazadera para sujetar el cable. Coloque la campana debajo del amario, en su lugar correspondiente. Compruebe que el conjunto del adaptador entra en la tubería. Sujete la campana apretando los (4) tornillos completamente, luego añadir el último tornillo (tornillo n.º 5) en el último agujero del centro. Compruebe que el regulador de tiro sobre el adaptador abre sin dificultad.

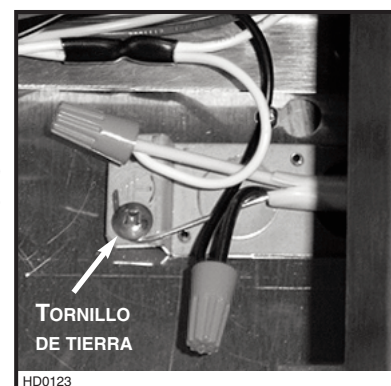
## 6. CONEXIÓN DEL CABLEADO

### ADVERTENCIA

**Riesgo de choque eléctrico. La conexión eléctrica debe hacerla personal competente con arreglo a los códigos y normas en vigor. Antes de conectar los hilos, corte la alimentación en el tablero de servicio y bloquee los medios de desconexión para impedir que la corriente se conecte accidentalmente.**

Conecte el cable con los conectores de hilos provistos.

Conecte los hilos de la siguiente manera: NEGRO con NEGRO, BLANCO con BLANCO y VERDE o hilo DESNUDO debajo el tornillo VERDE de tierra. **NO OLVIDE CONECTAR LA TIERRA.**



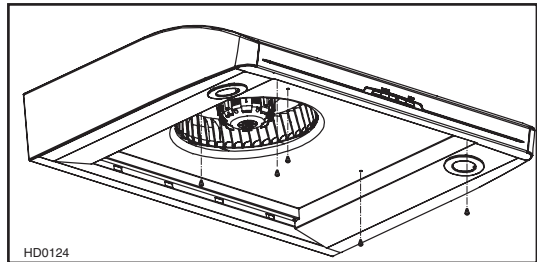


## 7. INSTALACIÓN DEL TABLERO INFERIOR

Vuelva a instalar el tablero inferior con los 5 tornillos de la etapa 3, como se ve en la imagen de al lado. Instale los filtros a continuación.

### PRECAUCIÓN

Retire la película protectora de plástico que cubre los filtros antes de instalarlos.



## 8. BOMBILLAS

Esta campana debe utilizar bombillas halógenas de tipo MR16, GU10, 120 voltios, 50W máximo (que se compran aparte).

### ⚠ ADVERTANCIA

Para evitar el riesgo de lesiones corporales, no instale una lámpara concebida sólo para portalámparas encastrados.

NOTA: Antes de instalar las lámparas halógenas hay que quitar los anillos del tablero inferior.

- 8.1 Instale las bombillas colocándolas en las roscas del casquillo. Apriete suavemente hacia arriba y gire en el sentido de la aguja del reloj hasta que la bombilla quede bien sujeta.



- 8.2 Instale los anillos metálicos presionando hacia arriba.



### ⚠ ADVERTANCIA

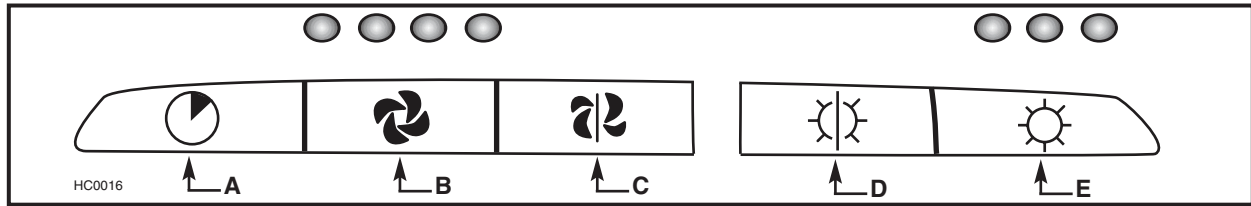
Para evitar el riesgo de lesiones corporales, esperar que la bombilla halógena esta enfriada antes de la retirar.

- 8.3 Para retirar la bombilla, apriete suavemente hacia arriba y gire en el sentido contrario de la aguja del reloj para soltar la bombilla de fuera de las roscas del casquillo.



## 9. FUNCIONAMIENTO

Ponga en marcha siempre el ventilador antes de empezar a cocinar para generar una corriente de aire en la cocina. Deje en marcha el ventilador durante unos minutos para renovar el aire una vez que haya apagado la cocina.



- A) Interruptor de retardo del ventilador
- B) Encendido/Control de velocidad del ventilador
- C) Interruptor de apagado del ventilador
- D) Apagado de la luz
- E) Interruptor de luz halógena

### **A. INTERRUPTOR DE RETARDO DEL VENTILADOR:**

Cuando se selecciona una velocidad, pulse este interruptor para activar la función de retardo. El diodo indicador de velocidad correspondiente empezará a parpadear para indicar que esta función está activada. El ventilador seguirá funcionando durante 5 minutos y se detendrá automáticamente. Para cancelar la función de retardo, pulse de nuevo el interruptor de retardo del ventilador; el ventilador funcionará en modo normal.

NOTA: La velocidad del ventilador puede aumentarse o disminuirse cuando se está en modo retardo sin tener que empezar otro ciclo de 5 minutos.

### **B. ENCENDIDO/CONTROL DE VELOCIDAD DEL VENTILADOR:**

Pulse este interruptor para poner en marcha el ventilador en la última velocidad que se seleccionó. Para cambiar la velocidad del ventilador pulse de nuevo en el interruptor hasta lograr la velocidad deseada.

- NOTAS:
1. Cada vez que presione en el control de velocidad del ventilador, la velocidad aumenta 1 nivel (p. ej., velocidad 1 a velocidad 2, velocidad 2 a velocidad 3 y así sucesivamente hasta la velocidad 4. De la velocidad 4 se pasa a la velocidad 1).
  2. La última velocidad seleccionada se guarda en la memoria. No ocurre así con la carta velocidad, de manera que la próxima vez que se encienda el ventilador, funcionará en la velocidad 3.

### **HEAT SENTRY**

Esta campana está equipada con un termostato HEAT SENTRY. Se trata de un dispositivo que pone en marcha el ventilador o lo acelera al detectar un calor excesivo sobre la superficie de la cocina.

- 1) Si el ventilador está apagado, lo pondrá en marcha a la velocidad 3.
- 2) Si el ventilador está encendido, lo pondrá a la velocidad 3.

Cuando el termostato HEAT SENTRY está activado, el primero y el último diodo de velocidad del ventilador parpadearán alternativamente. Cuando la temperatura baja al nivel normal, el ventilador vuelve a su configuración original.

## **⚠ ADVERTANCIA**

**El termostato HEAT SENTRY puede poner en marcha el ventilador aunque la campana esté apagada. En este caso, resulta imposible apagar el ventilador con el interruptor del ventilador. Si tiene que apagar el ventilador, hágalo en el tablero eléctrico principal.**

### **C. INTERRUPTOR DE APAGADO DEL VENTILADOR:**

Pulse este interruptor para apagar el ventilador y anular la función de retardo (si está activada).

### **D. APAGADO DE LA LUZ:**

Pulse este interruptor para apagar la luz.

### **E. INTERRUPTOR DE LUZ HALÓGENA:**

Pulse este interruptor para encender las lámpara halógenas. La intensidad de la luz cambia de nivel en nivel (p. ej., pulse una vez para baja intensidad, pulse de nuevo para mayor intensidad y así hasta tres veces). Una vez en la mayor intensidad, al presionar se vuelve a la intensidad más baja.

NOTA: La última intensidad utilizada se guarda en la memoria de modo que la próxima vez que se encienda la luz tendrá dicha intensidad.

### **PROCEDIMIENTO DE PONER A CERO:**

En caso de que los interruptores no responden, cortar el corriente eléctrica en el tablero eléctrico principal durante 5 segundos. Luego, restablecer el corriente eléctrico para volver al funcionamiento normal.

## 10. UTILIZACIÓN Y CUIDADO

Filtros de grasa y tablero inferior

Los filtros de grasa y el tablero inferior deben limpiarse con frecuencia. Utilice una disolución de detergente con agua templada. Retire los filtros empujando hacia parte trasera de la campana y girándolos hacia abajo.

LIMPIEZA DEL ACERO INOXIDABLE: Forma de mantener su ASPECTO BRILLANTE.

**Debe hacerse:**

- Limpiar regularmente las superficies con un trapo limpio humedecido con una mezcla de agua templada y jabón suave o detergente para la vajilla.
- Limpiar siempre en la dirección de las líneas originales de pulido del acero.
- Enjuagar siempre con agua limpia (2 o 3 veces) después de limpiar. Seque completamente.
- También puede utilizar un limpiador doméstico especial para acero inoxidable.

**No debe hacerse:**

- Utilizar un estropajo o acero inoxidable u otro tipo de rasquetas para quitar la suciedad resistente.
- Utilizar limpiadores fuertes o abrasivos.
- Dejar que la suciedad se acumule.
- Dejar que el polvo del mortero u otros residuos de la construcción manchen la campana. Si efectúa obras de construcción o renovación, cubra la campana para que no se manche la superficie de acero inoxidable.

**Al escoger un detergente, evite:**

- Los limpiadores que contienen **blanqueador** (lejía), ya que dañaran el acero inoxidable.
- Los productos que contengan **cloruro, fluoruro, yoduro y bromuro**, ya que deterioran las superficies rápidamente.
- Los **productos combustibles** que se emplean para la limpieza, como **acetona, alcohol, éter, bencol**, etc., ya que son altamente explosivos y nunca debería estar cerca de una cocina.

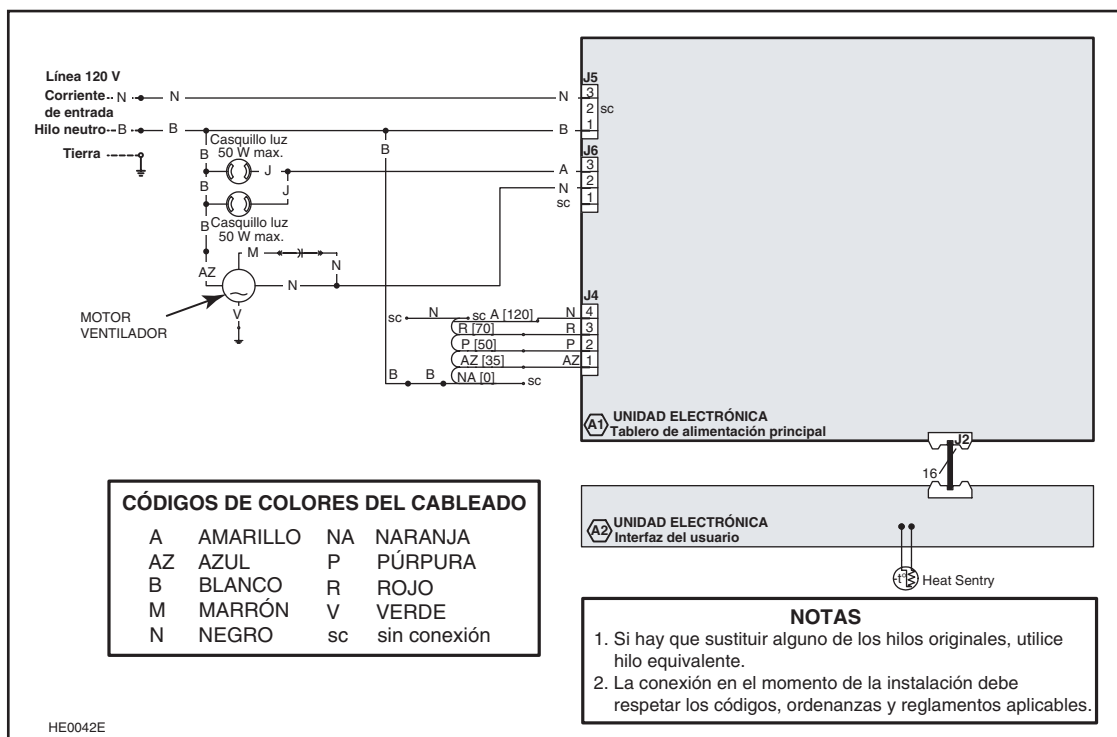
ACABADO ESMALTADO:

Limpié únicamente con agua templada y un detergente suave. Si la superficie se decolora, emplee una buena cera para esmaltes, como la cera para automóviles. (NO emplee limpiadores abrasivos fuertes ni limpiadores para porcelana).

## 11. DIAGRAMA ELÉCTRICO

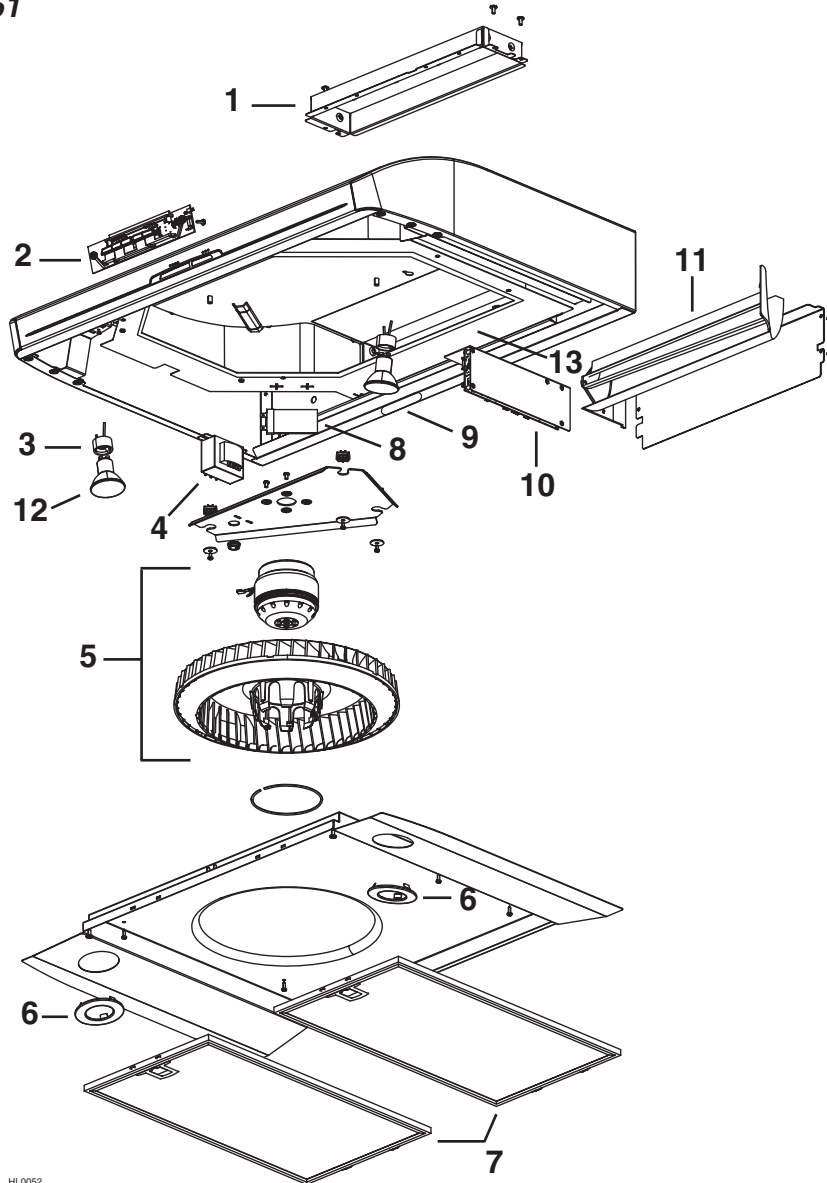
### ⚠ ADVERTANCIA

**Riesgo de choque eléctrico. La conexión eléctrica debe hacerla personal competente con arreglo a los códigos y normas en vigor. Antes de conectar los hilos, corte la alimentación en el tablero de servicio y bloquee los medios de desconexión para impedir que la corriente se conecte accidentalmente.**



# 12. PIEZAS

## MODELO E661



HL0052

N.º	N.º de pieza	DESCRIPCIÓN	ANCHURAS		
			30"	36"	42"
1	V14971	ADAPTADOR	1	1	1
2	V06118	CONTROL ELECTRÓNICO	1	1	1
3	V05917	CASQUILLO DE LUZ	2	2	2
4	V06735	EQUIPO HILOS Y TRANSFORMADOR	1	1	1
5	V01766E	MOTOR (CON RUEDA)	1	1	1
6	V06268	ANILLO	2	2	2
	V06244	FILTROS 9,92" X 17,981"	2	—	3
7	V06264	FILTROS 12,922" X 17,981"	—	2	—
8	V02160	CAPACITOR	1	1	1
9	V06750	LOGO DE BROAN ELITE	1	1	1
10	V06733-1	PROCESADOR DE CONTROL	1	1	1
11	V06252	DESVIADOR	1	1	1
12	V05921	LAMPARA HALÓGENA 50W, 120V, GU-10	2	2	2
13	V03443	CINTA DE ESPUMA	1	1	1
*	V06734	HILOS DE BAJA VOLTAJE	1	—	—
	V06745	HILOS DE BAJA VOLTAJE	—	1	—
	V06746	HILOS DE BAJA VOLTAJE	—	—	1
*	V06112	MANUAL DE INSTALACIÓN	1	1	1
*	V06751	BOLSA DE PIEZAS (1) abrazadera de cable LP16-AP, (2) conectores de hilos n.º 74B, (5) tornillos n.º 8 x 1/2", (3) tornillos n.º 6 x 1/2")	1	1	1

\* No se muestra.

