



# REFRIGERATOR USER INSTRUCTIONS

THANK YOU for purchasing this high-quality product. Register your new refrigerator at [www.whirlpool.com](http://www.whirlpool.com). In Canada, register your refrigerator at [www.whirlpool.ca](http://www.whirlpool.ca).

For future reference, please make a note of your product model and serial numbers. These can be located on the inside wall of the refrigerator compartment.

Model Number \_\_\_\_\_ Serial Number \_\_\_\_\_

Para obtener acceso a "Instrucciones para el usuario del refrigerador" en español, o para obtener información adicional acerca de su producto, visite: [www.whirlpool.com](http://www.whirlpool.com).

Necesitará su número de modelo y de serie, ubicado en el interior del compartimiento del refrigerador.

## Table of Contents / Table des matières

<b>REFRIGERATOR SAFETY</b> .....	<b>2</b>	<b>SÉCURITÉ DU RÉFRIGÉRATEUR</b> .....	<b>20</b>
Proper Disposal of Your Old Refrigerator.....	3	Mise au rebut appropriée de votre vieux réfrigérateur.....	21
<b>INSTALLATION INSTRUCTIONS</b> .....	<b>3</b>	<b>INSTRUCTIONS D'INSTALLATION</b> .....	<b>21</b>
Unpack the Refrigerator.....	3	Déballage du réfrigérateur .....	21
Location Requirements.....	4	Exigences d'emplacement .....	22
Electrical Requirements .....	4	Spécifications électriques.....	22
Water Supply Requirements.....	4	Spécifications de l'alimentation en eau.....	23
Connect the Water Supply.....	5	Raccordement de la canalisation d'eau.....	23
Refrigerator Doors.....	6	Portes du réfrigérateur .....	24
Reversibility Kit Instructions.....	11	Instructions pour l'ensemble d'inversion du sens d'ouverture .....	30
Adjust the Doors .....	11	Ajustement des portes.....	30
<b>REFRIGERATOR USE</b> .....	<b>12</b>	<b>UTILISATION DU RÉFRIGÉRATEUR</b> .....	<b>31</b>
Using the Controls .....	12	Utilisation des commandes .....	31
<b>REFRIGERATOR FEATURES</b> .....	<b>13</b>	<b>CARACTÉRISTIQUES DU RÉFRIGÉRATEUR</b> .....	<b>32</b>
Refrigerator Shelves.....	13	Tablettes du réfrigérateur .....	32
Deli Drawer .....	13	Tiroir pour spécialités alimentaires .....	32
Crisper .....	13	Bac à légumes .....	33
<b>FREEZER FEATURES</b> .....	<b>14</b>	<b>CARACTÉRISTIQUES DU CONGÉLATEUR</b> .....	<b>33</b>
Freezer Shelf .....	14	Tablette du congélateur.....	33
<b>DOOR FEATURES</b> .....	<b>14</b>	<b>CARACTÉRISTIQUES DE LA PORTE</b> .....	<b>34</b>
Door Rails.....	14	Tringles de porte .....	34
Door Bins.....	14	Balconnets de porte .....	34
Utility Compartment .....	15	Compartiment utilitaire .....	34
Ice Maker.....	15	Machine à glaçons.....	34
<b>REFRIGERATOR CARE</b> .....	<b>15</b>	<b>ENTRETIEN DU RÉFRIGÉRATEUR</b> .....	<b>35</b>
Cleaning .....	15	Nettoyage.....	35
Changing the Light Bulb .....	16	Remplacement des ampoules d'éclairage .....	35
Vacation and Moving Care .....	16	Entretien avant les vacances ou lors d'un déménagement.....	36
<b>TROUBLESHOOTING</b> .....	<b>17</b>	<b>DÉPANNAGE</b> .....	<b>37</b>
Refrigerator Operation .....	17	Fonctionnement du réfrigérateur .....	37
Temperature and Moisture .....	18	Température et humidité .....	38
Ice and Water.....	18	Glaçons et eau.....	38
<b>ACCESSORIES</b> .....	<b>18</b>	<b>ACCESSOIRES</b> .....	<b>39</b>
<b>WARRANTY</b> .....	<b>19</b>	<b>GARANTIE</b> .....	<b>40</b>
<b>BRAND BADGE PLACEMENT TEMPLATE</b> .....	<b>BACK COVER</b>	<b>GABARIT DE POSITIONNEMENT DE L'INSIGNE DE LA MARQUE</b> .....	<b>COUVERTURE ARRIÈRE</b>

# REFRIGERATOR SAFETY

## Your safety and the safety of others are very important.

We have provided many important safety messages in this manual and on your appliance. Always read and obey all safety messages.



This is the safety alert symbol.

This symbol alerts you to potential hazards that can kill or hurt you and others.

All safety messages will follow the safety alert symbol and either the word "DANGER" or "WARNING."

These words mean:

**⚠ DANGER**

You can be killed or seriously injured if you don't immediately follow instructions.

**⚠ WARNING**

You can be killed or seriously injured if you don't follow instructions.

All safety messages will tell you what the potential hazard is, tell you how to reduce the chance of injury, and tell you what can happen if the instructions are not followed.

## IMPORTANT SAFETY INSTRUCTIONS

**WARNING:** To reduce the risk of fire, electric shock, or injury when using your refrigerator, follow these basic precautions:

- Plug into a grounded 3 prong outlet.
- Do not remove ground prong.
- Do not use an adapter.
- Do not use an extension cord.
- Disconnect power before servicing.
- Replace all parts and panels before operating.
- Remove doors from your old refrigerator.
- Connect to a potable water supply only.
- Use nonflammable cleaner.
- Keep flammable materials and vapors, such as gasoline, away from refrigerator.
- Use two or more people to move and install refrigerator.
- Disconnect power before installing ice maker (on ice maker kit ready models only).
- Use a sturdy glass when dispensing ice (on some models).
- Do not hit the refrigerator glass doors (on some models).
- This appliance is not intended for use by persons (including children) with reduced physical, sensory or mental capabilities, or lack of experience and knowledge, unless they have been given supervision or instruction concerning use of the appliance by a person responsible for their safety.
- Children should be supervised to ensure that they do not play with the appliance.

**SAVE THESE INSTRUCTIONS**

State of California Proposition 65 Warnings:

WARNING: This product contains one or more chemicals known to the State of California to cause cancer.

WARNING: This product contains one or more chemicals known to the State of California to cause birth defects or other reproductive harm.

## Proper Disposal of Your Old Refrigerator

### **⚠️ WARNING**

#### **Suffocation Hazard**

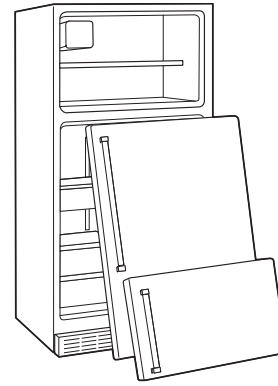
**Remove doors from your old refrigerator.**

**Failure to do so can result in death or brain damage.**

**IMPORTANT:** Child entrapment and suffocation are not problems of the past. Junked or abandoned refrigerators are still dangerous – even if they will sit for “just a few days.” If you are getting rid of your old refrigerator, please follow these instructions to help prevent accidents.

#### **Before You Throw Away Your Old Refrigerator or Freezer:**

- Take off the doors.
- Leave the shelves in place so that children may not easily climb inside.



#### **Important information to know about disposal of refrigerants:**

Dispose of refrigerator in accordance with Federal and Local regulations. Refrigerants must be evacuated by a licensed, EPA certified refrigerant technician in accordance with established procedures.

## INSTALLATION INSTRUCTIONS

### Unpack the Refrigerator

### **⚠️ WARNING**

#### **Excessive Weight Hazard**

**Use two or more people to move and install refrigerator.**

**Failure to do so can result in back or other injury.**

#### **When Moving Your Refrigerator:**

Your refrigerator is heavy. When moving the refrigerator for cleaning or service, be sure to cover the floor with cardboard or hardboard to avoid floor damage. Always pull the refrigerator straight out when moving it. Do not wiggle or “walk” the refrigerator when trying to move it, as floor damage could occur.

#### **Remove the Packaging**

**IMPORTANT:** Do not remove the white foam air return insert from behind the control panel on the ceiling of the refrigerator. If the insert is removed, ice may migrate down from the freezer and cause icicles to form.

- Remove tape and glue residue from surfaces before turning on the refrigerator. Rub a small amount of liquid dish soap over the adhesive with your fingers. Rinse with warm water and dry with a soft cloth.
- Do not use sharp instruments, rubbing alcohol, flammable fluids, or abrasive cleaners to remove tape or glue. These products can damage the surface of your refrigerator. For more information see “Refrigerator Safety.”

#### **Clean Before Using**

After you remove all of the package materials, clean the inside of your refrigerator before using it. See the cleaning instructions in “Refrigerator Care.”

#### **Important information to know about glass shelves and covers:**

Do not clean glass shelves or covers with warm water when they are cold. Shelves and covers may break if exposed to sudden temperature changes or impact, such as bumping. Tempered glass is designed to shatter into many small, pebble-size pieces. This is normal. Glass shelves and covers are heavy. Use both hands when removing them to avoid dropping.

## Location Requirements

### **⚠ WARNING**



#### Explosion Hazard

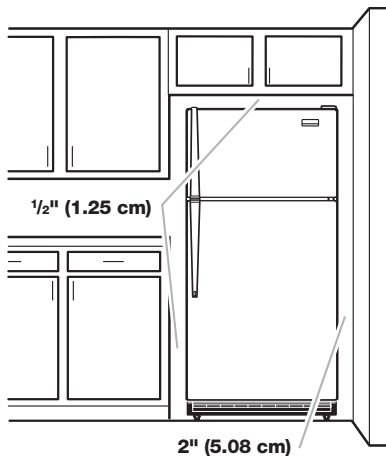
Keep flammable materials and vapors, such as gasoline, away from refrigerator.

Failure to do so can result in death, explosion, or fire.

**IMPORTANT:** This refrigerator is designed for indoor household use only.

To ensure proper ventilation for your refrigerator, allow for ½" (1.25 cm) of space on each side and at the top. Allow for 1" (2.54 cm) of space behind the refrigerator. If your refrigerator has an ice maker, allow extra space at the back for the water line connections. When installing your refrigerator next to a fixed wall, leave a 2" (5.08 cm) minimum space on the hinge side (some models require more) to allow the door to swing open.

**NOTE:** This refrigerator is intended for use in a location where the temperature ranges from a minimum of 55°F (13°C) to a maximum of 110°F (43°C). The preferred room temperature range for optimum performance, which reduces electricity usage and provides superior cooling, is between 60°F (15°C) and 90°F (32°C). It is recommended that you do not install the refrigerator near a heat source, such as an oven or radiator.



## Electrical Requirements

### **⚠ WARNING**



#### Electrical Shock Hazard

Plug into a grounded 3 prong outlet.

Do not remove ground prong.

Do not use an adapter.

Do not use an extension cord.

Failure to follow these instructions can result in death, fire, or electrical shock.

Before you move your refrigerator into its final location, it is important to make sure you have the proper electrical connection.

#### Recommended Grounding Method

A 115-volt, 60 Hz, AC-only, 15- or 20-amp fused, grounded electrical supply is required. It is recommended that a separate circuit serving only your refrigerator be provided. Use an outlet that cannot be turned off by a switch. Do not use an extension cord.

**NOTE:** Before performing any type of installation or cleaning, or removing a light bulb, turn cooling off or turn the control (Thermostat, Refrigerator, or Freezer control depending on the model) to OFF, and then disconnect the refrigerator from the electrical source. When you are finished, reconnect the refrigerator to the electrical source and turn cooling on or reset the control (Thermostat, Refrigerator, or Freezer control, depending on the model) to the desired setting. See "Using the Controls" in the User Instructions, User Guide, or Use & Care Guide.

## Water Supply Requirements

Gather the required tools and parts before starting installation. Read and follow the instructions provided with any tools listed here.

#### TOOLS NEEDED:

- Flat-blade screwdriver
- ¼" nut driver
- 7/16" and ½" open-end or two adjustable wrenches
- ¼" drill bit
- Cordless drill

**NOTE:** Your refrigerator dealer has a kit available with a ¼" (6.35 mm) saddle-type shut-off valve, a union, and copper tubing. Before purchasing, make sure a saddle-type valve complies with your local plumbing codes. Do not use a piercing-type or 3/16" (4.76 mm) saddle valve which reduces water flow and clogs more easily.

#### IMPORTANT:

- All installations must meet local plumbing code requirements.
- Use copper tubing and check for leaks. Install copper tubing only in areas where the household temperatures will remain above freezing.

## Water Pressure

A cold water supply with water pressure of between 30 and 120 psi (207 and 827 kPa) is required to operate the water dispenser and ice maker. If you have questions about your water pressure, call a licensed, qualified plumber.

### Reverse Osmosis Water Supply

**IMPORTANT:** The pressure of the water supply coming out of a reverse osmosis system going to the water inlet valve of the refrigerator needs to be between 30 and 120 psi (207 and 827 kPa).

If a reverse osmosis water filtration system is connected to your cold water supply, the water pressure to the reverse osmosis system needs to be a minimum of 40 to 60 psi (276 to 414 kPa). If the water pressure to the reverse osmosis system is less than 40 to 60 psi (276 to 414 kPa):

- Check to see whether the sediment filter in the reverse osmosis system is blocked. Replace the filter if necessary.
- Allow the storage tank on the reverse osmosis system to refill after heavy usage.

If you have questions about your water pressure, call a licensed, qualified plumber.

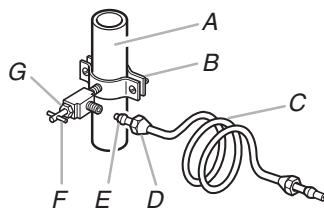
## Connect the Water Supply

Read all directions before you begin.

**IMPORTANT:** If you turn the refrigerator on before the water line is connected, turn the ice maker off.

### Connect to Water Line

1. Unplug refrigerator or disconnect power.
2. Turn off main water supply. Turn on nearest faucet long enough to clear line of water.
3. Locate a ½" to 1¼" (1.25 cm to 3.18 cm) vertical cold water pipe near the refrigerator.  
**IMPORTANT:**
  - Make sure it is a cold water pipe.
  - Horizontal pipe will work, but drill on the top side of the pipe, not the bottom. This will help keep water away from the drill and normal sediment from collecting in the valve.
4. Determine the length of copper tubing you need. Measure from the connection on the lower left rear of refrigerator to the water pipe. Add 7 ft (2.1 m) to allow for cleaning. Use ¼" (6.35 mm) O.D. (outside diameter) copper tubing. Be sure both ends of copper tubing are cut square.
5. Using a cordless drill, drill a ¼" hole in the cold water pipe you have selected.



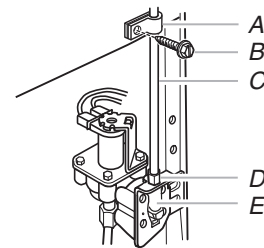
A. Cold water pipe  
B. Pipe clamp  
C. Copper tubing  
D. Compression nut  
E. Compression sleeve  
F. Shut-off valve  
G. Packing nut

6. Fasten the shut-off valve to the cold water pipe with the pipe clamp. Be sure the outlet end is solidly in the ¼" drilled hole in the water pipe and that the washer is under the pipe clamp. Tighten the packing nut. Tighten the pipe clamp screws slowly and evenly so washer makes a watertight seal. Do not overtighten or you may crush the copper tubing.

7. Slip the compression sleeve and compression nut on the copper tubing as shown. Insert the end of the tubing into the outlet end squarely as far as it will go. Screw compression nut onto outlet end with adjustable wrench. Do not overtighten.
8. Place the free end of the tubing in a container or sink, and turn on the main water supply. Flush the tubing until water is clear. Turn off the shut-off valve on the water pipe. Coil the copper tubing.

### Connect to Refrigerator

1. Unplug refrigerator or disconnect power.
2. Attach the copper tubing to the valve inlet using a compression nut and sleeve as shown. Tighten the compression nut. Do not overtighten.
3. Use the tube clamp on the back of the refrigerator to secure the tubing to the refrigerator as shown. This will help avoid damage to the tubing when the refrigerator is pushed back against the wall.
4. Turn shut-off valve ON.
5. Check for leaks. Tighten any connections (including connections at the valve) or nuts that leak.



A. Tube clamp  
B. Tube clamp screw  
C. Copper tubing  
D. Compression nut  
E. Valve inlet

6. The ice maker is equipped with a built-in water strainer. If your water conditions require a second water strainer, install it in the ¼" (6.35 mm) water line at either tube connection. Obtain a water strainer from your nearest appliance dealer.

### Complete the Installation

## ⚠ WARNING



### Electrical Shock Hazard

**Plug into a grounded 3 prong outlet.**

**Do not remove ground prong.**

**Do not use an adapter.**

**Do not use an extension cord.**

**Failure to follow these instructions can result in death, fire, or electrical shock.**

1. Plug into a grounded 3 prong outlet.

**NOTE:** Allow 24 hours to produce the first batch of ice. Discard the first three batches of ice produced. Allow 3 days to completely fill ice container.

## Refrigerator Doors

Depending on the width of your doorway, you may need to remove the doors to move the refrigerator into your home. Also, the door hinges are factory installed on the right-hand side. If you want the door to open from the other direction, you must reverse the door swing.

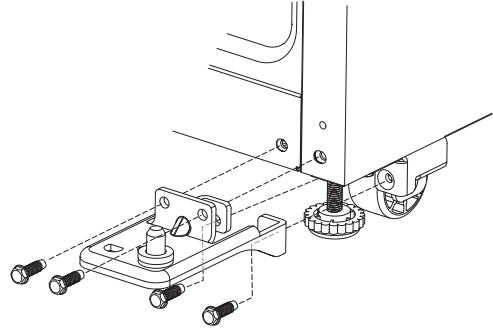
### IMPORTANT:

- Before you begin, turn the refrigerator control off, unplug refrigerator or disconnect power. Remove food and any adjustable door or utility bins from doors.
- Depending on your model, your refrigerator has either **Style 1 – Contour Doors** or **Style 2 – Standard Doors**. Reference the graphic specific to your model later in this section following "Final Steps."

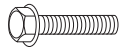
**NOTE:** A Reversibility Kit, which includes a new Brand Badge and hole covers, is available.

**Tools Needed:**  $\frac{5}{16}$ " hex-head socket wrench, #2 Phillips screwdriver, flat-blade screwdriver,  $\frac{5}{16}$ " open-end wrench, flat 2" putty knife

6. Remove the washer from the bottom of the Center Hinge pin.
7. Lift the refrigerator door from the Bottom Hinge and set aside.
8. Using a hex-head socket wrench, remove the four  $\frac{5}{16}$ " hex-head hinge screws from the Bottom Hinge and pull the hinge from the bottom of the refrigerator door.

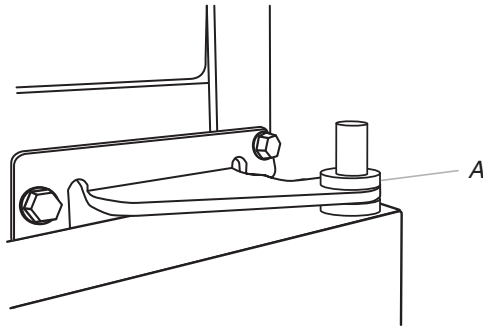


### Remove Doors and Hinges



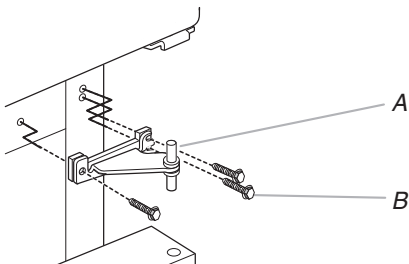
$\frac{5}{16}$ " Hex-Head Hinge Screw

1. Unplug refrigerator or disconnect power.
2. Using a hex-head socket wrench, remove the three  $\frac{5}{16}$ " hex-head hinge screws from the Top Hinge and lift up to remove the hinge. See Top Hinge graphic.  
**NOTE:** Provide additional support for the doors while the hinges are being moved. Do not depend on the door magnets to hold the doors in place while you are working.
3. Lift the freezer door off of the center hinge and set it aside.
4. Remove the washer from the top of the Center Hinge pin.



A. Washer

5. Using a hex-head socket wrench and an open-end wrench, remove the three screws from the Center Hinge and remove the hinge. Set aside.

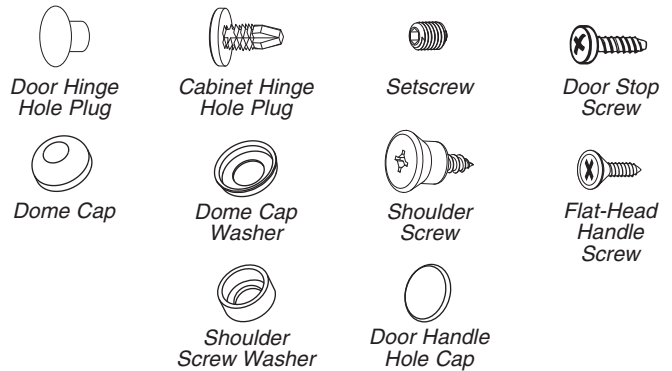


A. Center hinge  
B.  $\frac{5}{16}$ " hex-head hinge screws

### Reverse Doors and Hinges (optional)

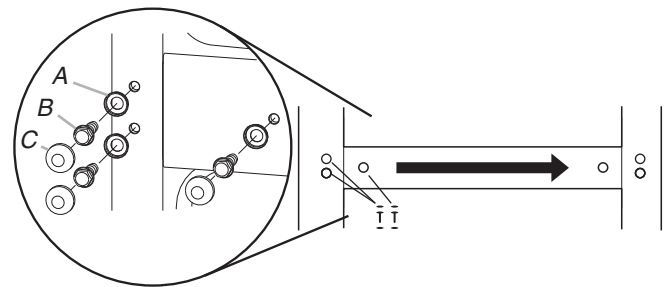
**IMPORTANT:** If you want to reverse your doors so that they open in the opposite direction, follow these steps. If you are not reversing the doors, see "Replace Doors and Hinges."

See complete graphics later in these instructions.



### Reverse Center Hinge

1. Remove the three dome caps and screws from the handle side and use them to fill the holes created when the hinge screws were removed.



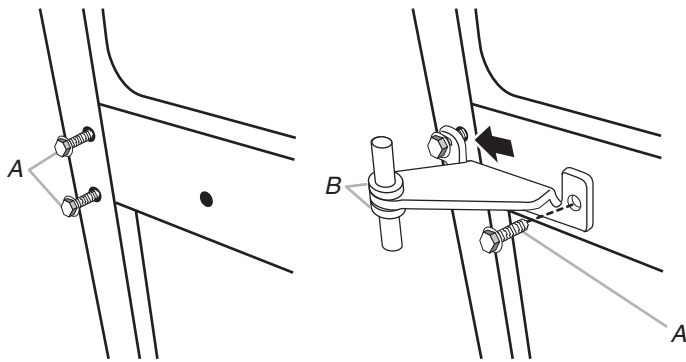
A. Dome cap washers  
B. Hex-head hinge screws

C. Dome caps

2. Using the three  $\frac{5}{16}$ " hex-head hinge screws, removed in Step 1, insert two screws halfway into the holes, leaving space to insert the Center Hinge.

- Once the refrigerator door is in place, slide the center hinge from the right onto the screws, insert the third screw, and then tighten all screws completely.

**NOTE:** Make sure the washers are in place on both the top and bottom pins of the center hinge.



A.  $\frac{5}{16}$ " hex-head hinge screws  
B. Washers

### Reverse Freezer Door

- Remove the three cabinet hole plugs from the top of the cabinet and place them in the hinge holes on the opposite side.



A. Cabinet hole plugs

- Remove the door handles. See the model specific graphics later in these instructions.

#### Door Handles installed with flat-head screws and setscrews:

- Remove the two flat-head handle screws from the bottom of the freezer door handle.
- Using the  $\frac{1}{8}$ " hex key, loosen the setscrew attaching the top of the handle.
- Pull the handle away from the door to release it from the shoulder screw. Keep all parts together.

#### Door handles installed with flat-head screws only:

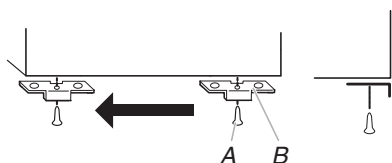
- Remove the screw cover and the three flat-head handle screws. Keep all parts together.

- Using the plastic tool (provided), remove the brand badge from the freezer door by prying up from the right-hand side and slowly peeling the badge away from the door, revealing the hole to mount the door handle.

#### NOTES:

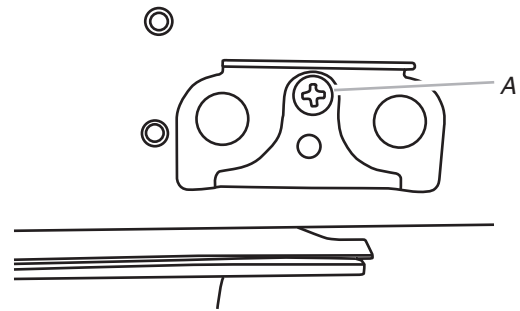
- To avoid scratching the finish, do not use a sharp or metallic object to pry the brand badge from the door.
- Rub a small amount of liquid dish soap over any adhesive residue with your fingers. Rinse the door with warm water and dry with a soft cloth.

- Depending on your model, remove the shoulder screw and its washer from the left-hand side of the door and fasten it into the hole that was behind the brand badge.
- Remove the door stop from the bottom of the freezer door.



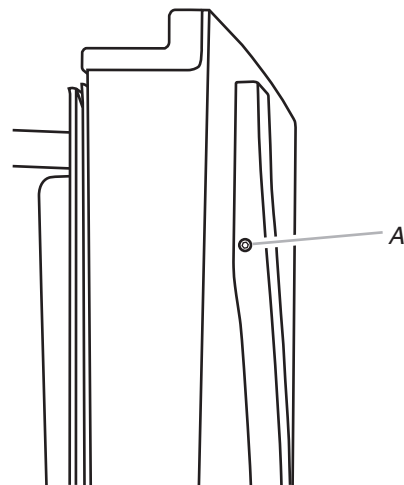
A. Door stop screw  
B. Door stop

- Move the door stop to the opposite side making sure that the hole in the door stop plate is aligned perfectly with the hole for the center hinge pin.
- Using the screw removed earlier, fasten the door stop to the bottom of the freezer door.



A. Door stop screw

- Depending on your model, place the handle on the shoulder screw and push the handle toward the door until the mounting base is flush against the door.

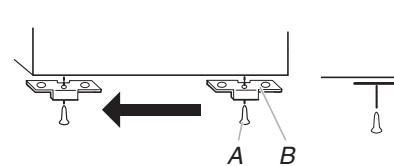


A. Setscrew

- Fasten the bottom of the handle to the bottom of the freezer door.
- Tighten all screws. Set aside the freezer door until the hinges and refrigerator door are in place.

### Reverse Refrigerator Door

- Remove the door stop from the bottom of the refrigerator door.



A. Door stop screw  
B. Door stop

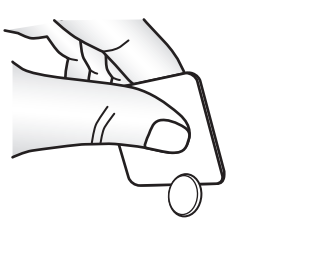
- Replace the door stop on the opposite side of the refrigerator door, making sure that the hole in the door stop plate is aligned perfectly with the hole for the Bottom Hinge pin.
- Fasten the door stop to the door.
- Remove the door handles. See the model-specific graphics later in these instructions.

**Door Handles installed with flat-head screws and setscrews:**

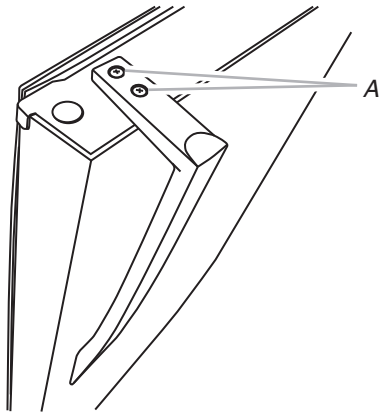
- Remove the screws from the top of the refrigerator door handle.
- Remove the setscrew from the lower part of the handle.
- Pull the handle away from the door to release it from the shoulder screw. Keep all parts together.

**Door handles installed with flat-head screws only:**

- Remove the screw cover and the three flat-head handle screws. Keep all parts together.
5. Remove the cap covering the hole on the opposite side of the door where the refrigerator door handle will be installed and discard the cap.

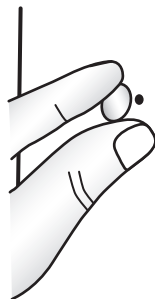


6. Depending on your model, remove the shoulder screw and its washer from the left-hand side of the door and fasten it into the hole that was behind the cap.
7. Depending on your model, place the handle on the shoulder screw and push the handle toward the door until the mounting base is flush against the door.
8. Fasten the top of the refrigerator handle to the top of the refrigerator door.



A. Flat-head handle screws

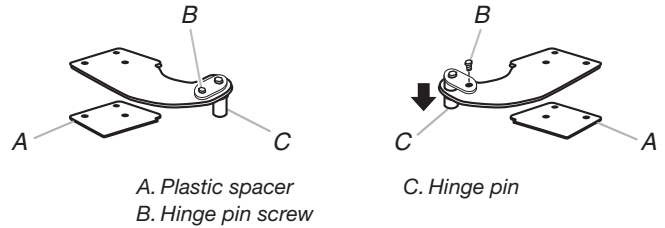
9. Cover the remaining hole with the cap (provided).



10. Remove door hinge hole plug from the refrigerator door. Move to opposite side.
11. Tighten all screws. Set aside refrigerator door until bottom hinge is installed on the opposite side of the refrigerator.

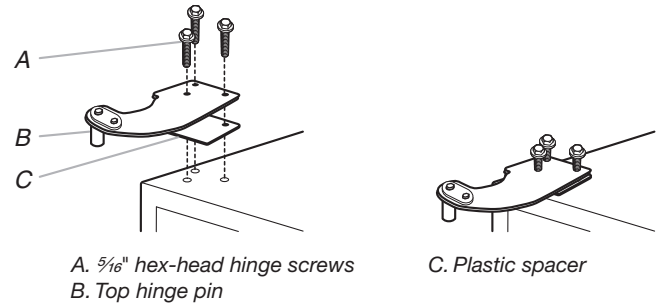
**Reverse Top Hinge - Contour door models only**

1. Remove the screw attaching the hinge pin to the hinge. Turn the hinge over so that it is pointing in the opposite direction.
2. Place the plastic spacer beneath the hinge so that it will be between the hinge and the cabinet, making sure the holes are aligned.



A. Plastic spacer  
B. Hinge pin screw

3. Fasten the Top Hinge to the opposite side of the cabinet, inserting the screws only halfway, so you will be able to replace and align the freezer door later.



A. 5/16" hex-head hinge screws  
B. Top hinge pin

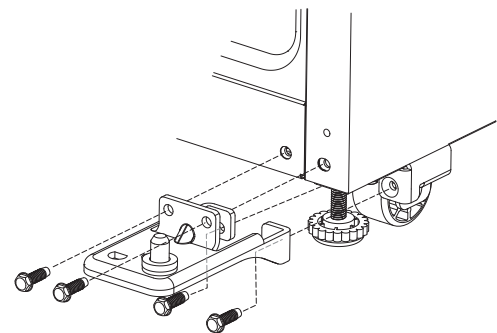
C. Plastic spacer

**Replace Doors and Hinges**

**IMPORTANT:** Provide additional support for the doors while the hinges are being moved. Do not depend on the door magnets to hold the doors in place while you are working.

**Install Refrigerator Door**

1. Insert the hinge pin into the Bottom Hinge of the refrigerator door and fasten the hinge to the cabinet. Do not tighten completely.



A. Bottom hinge

2. Place the washer on top of the Bottom Hinge pin.
3. Place the refrigerator door onto the Bottom Hinge pin.
4. Measure the distance from the bottom of the refrigerator door to the floor. The distance should be approximately 1 1/2" (4.6 cm).

**NOTE:** If necessary, loosen the Bottom Hinge, without removing the screws, adjust the door to the correct height and fully tighten the screws.



## Install Freezer Door

1. Place washer on the upper hinge pin of the Center Hinge.
2. Place the freezer door on the upper hinge pin of the Center Hinge.
3. Insert the Top Hinge pin into the drilled hole in the top of the freezer door. Do not tighten the screws completely.
4. Align the doors so that the bottom of the freezer door aligns evenly with the top of the refrigerator door. Tighten all screws.

**NOTE:** The distance between the doors should be approximately  $\frac{3}{4}$ " (19 mm).

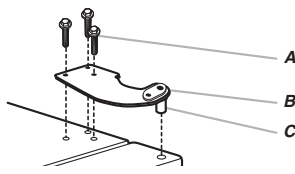
## Final Steps

1. Plug in the refrigerator or reconnect the power.
2. Reset the controls. See "Using the Controls."
3. Return all removable door parts to doors and food to refrigerator.

## Style 1 – Contour Door

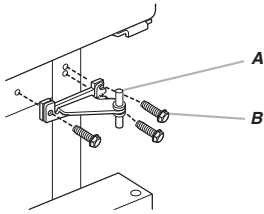
### Door Removal & Replacement

#### Top Hinge



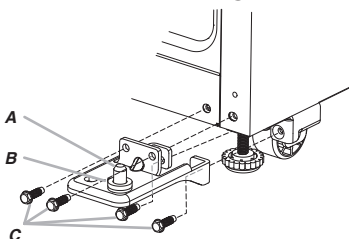
- A.  $\frac{5}{16}$ " Hex-Head Hinge Screws
- B. Top Hinge
- C. Hinge Pin

#### Center Hinge



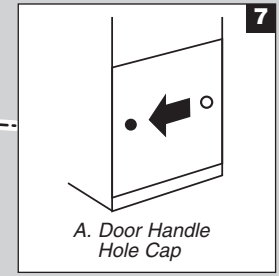
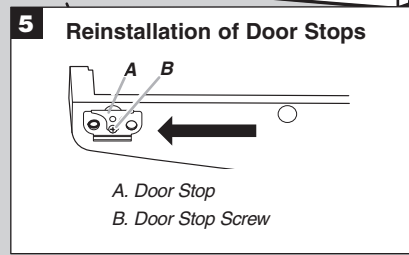
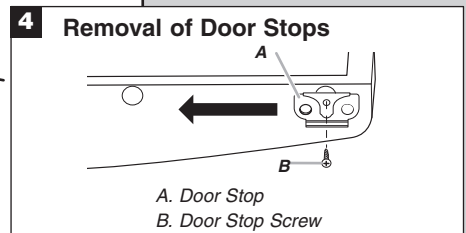
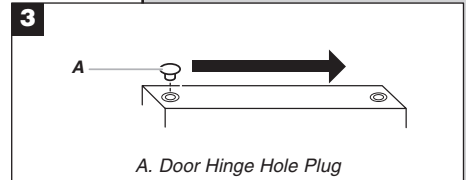
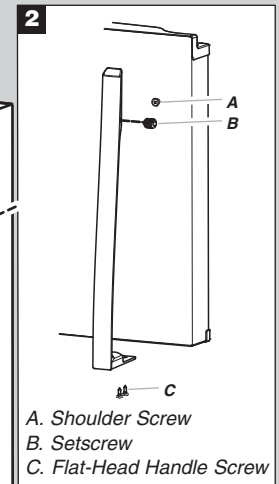
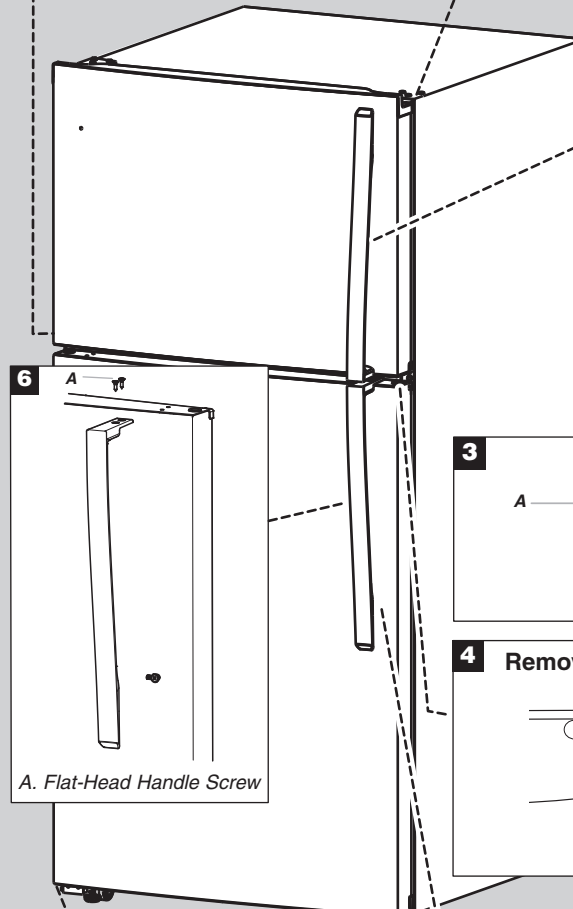
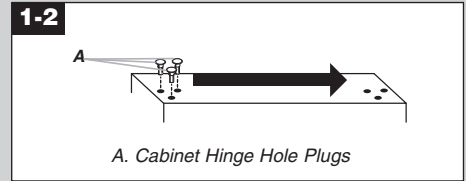
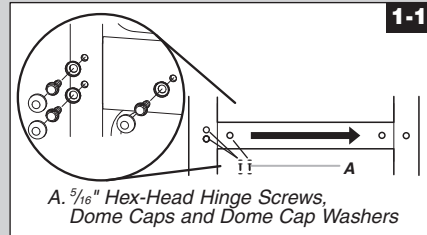
- A. Center Hinge
- B.  $\frac{5}{16}$ " Hex-Head Hinge Screws

#### Bottom Hinge



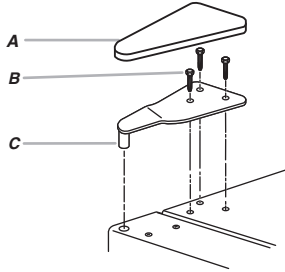
- A. Bottom Hinge
- B. Washer
- C.  $\frac{5}{16}$ " Hex-Head Hinge Screws

### Door Swing Reversal (optional)



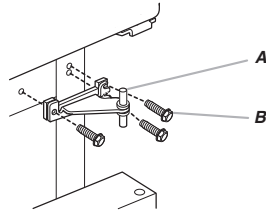
**Door Removal & Replacement**

**Top Hinge**



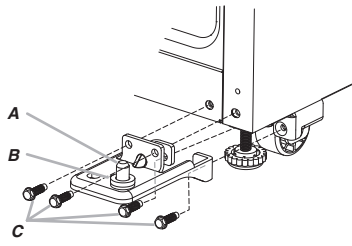
- A. Top Hinge Cover
- B. 5/16" Hex-Head Hinge Screws
- C. Top Hinge

**Center Hinge**



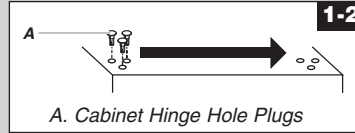
- A. Center Hinge
- B. 5/16" Hex-Head Hinge Screws

**Bottom Hinge**

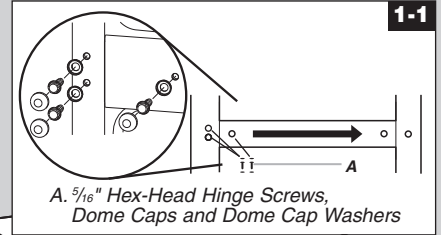


- A. Bottom Hinge
- B. Washer
- C. 5/16" Hex-Head Hinge Screws

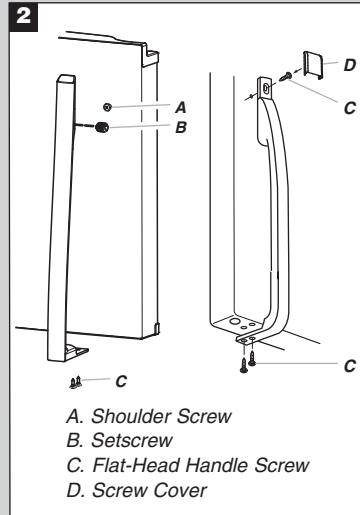
**Door Swing Reversal (optional)**



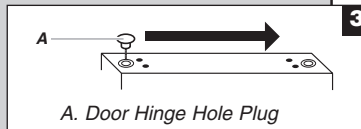
A. Cabinet Hinge Hole Plugs



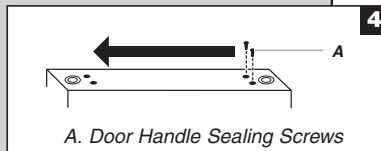
A. 5/16" Hex-Head Hinge Screws, Dome Caps and Dome Cap Washers



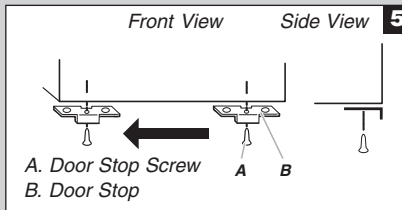
- A. Shoulder Screw
- B. Setscrew
- C. Flat-Head Handle Screw
- D. Screw Cover



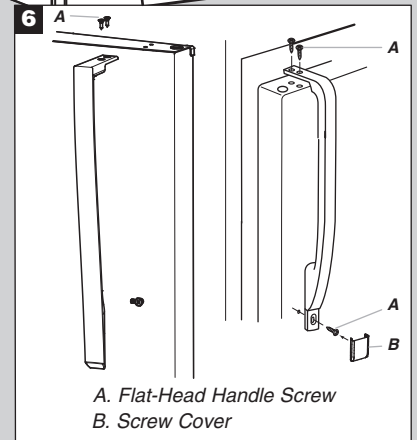
A. Door Hinge Hole Plug



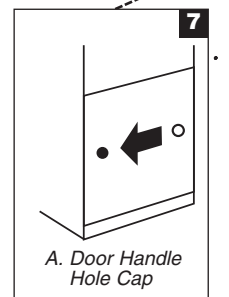
A. Door Handle Sealing Screws



- A. Door Stop Screw
- B. Door Stop



- A. Flat-Head Handle Screw
- B. Screw Cover



A. Door Handle Hole Cap

## Reversibility Kit Instructions

If your model came with a Reversibility kit, please use the Brand Badge Placement template and the following instructions to install the Brand Badge on the opposite side of the freezer door.

### Parts Included:

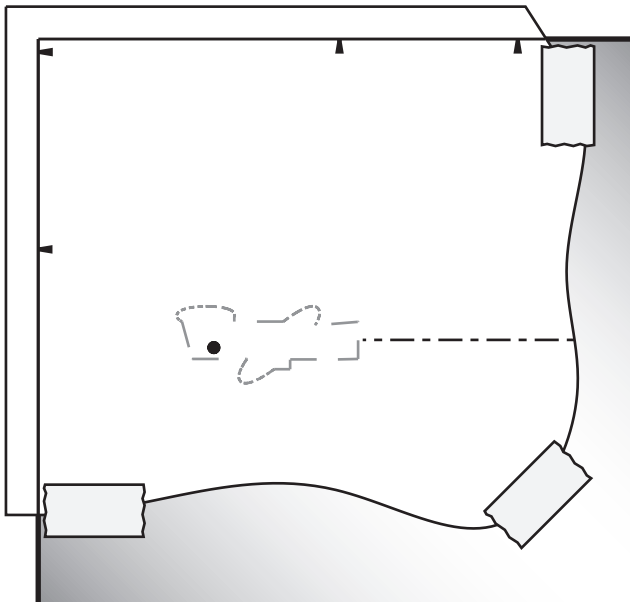
Brand badge removal tool  
Brand badge template (on last page of User Instructions)  
Door handle hole cap

### Tools Needed:

Scissors  
Masking tape

### Freezer Door

1. Using the removal tool (provided), remove the brand badge from the freezer door by lifting up the right-hand side and peeling the badge away from the door from right to left.  
**NOTE:** To avoid scratching the door, do not use a sharp or metallic object to pry the brand badge from the door.
2. Rub a small amount of liquid dish soap over any adhesive residue with your fingers. Rinse the door with warm water and dry with a soft cloth.
3. Cut the template along the dotted lines that match the shape of the brand badge.
4. Align the edges of the template with the side and top of the freezer door and tape the template to the door.  
**NOTE:** When the template is correctly aligned, the hole in the door, where the handle was, will be within the cutout of the template, as shown.



5. Using the cutout as a guide, press the brand badge onto the freezer door making sure that the hole is completely covered.
6. Slowly remove the template.

## Adjust the Doors

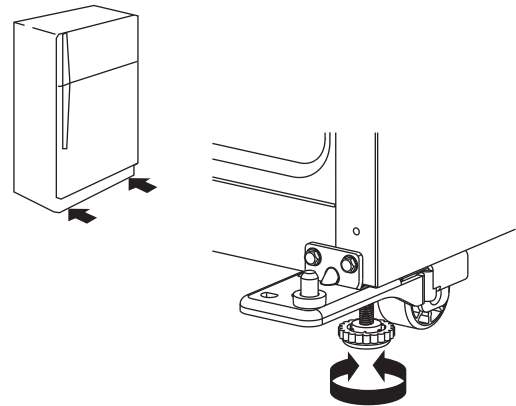
**IMPORTANT:** Your refrigerator complies with American Disabilities Act (ADA) guidelines.

### Door Closing

Your refrigerator has two front adjustable levelers - one on the right and one on the left. If your refrigerator seems unsteady or you want the doors to close easier, adjust the refrigerator's tilt using the following instructions:

1. Turn the leveler to lower or raise that side of the refrigerator. It may take several turns to adjust the tilt of the refrigerator.
  - To raise, turn the leveler to the right.
  - To lower, turn the leveler to the left.

**NOTE:** Having someone push against the top of the refrigerator takes some weight off the levelers and rollers which makes it easier to adjust.



2. Open both doors again to make sure they close as easily as you like. If not, tilt the refrigerator slightly more to the rear by turning both leveling legs to the left; it may take several more turns.  
**NOTE:** To keep the refrigerator level, you should turn both leveling legs the same amount.
3. Using a level, be sure that the refrigerator is still level side to side. Readjust if necessary.

### Door Aligning

If the space between your doors looks uneven, you can adjust it using the following instructions:

1. Depending on your model, remove the Top Hinge cover.
2. Loosen the top hinge screws using a  $\frac{5}{16}$ " socket or wrench.
3. Have someone hold the door in place or put a spacer between the doors while you tighten the top hinge screws.
4. Replace the Top Hinge cover, if removed in Step 1.

# REFRIGERATOR USE

## Using the Controls

Your refrigerator has two controls that affect the temperature. The Temperature control located at the top front of the refrigerator compartment and the Airflow control located on the back wall of the freezer compartment.

### IMPORTANT:

- The recommended setting should be correct for normal household refrigerator use. The controls are set correctly when milk or juice is as cold as you like and when ice cream is firm.
  - Wait 24 hours for your refrigerator to cool completely before adding food. If you add food before the refrigerator has cooled completely, your food may spoil.
- NOTE:** Adjusting the refrigerator and freezer temperature controls to a colder than recommended setting will not cool the compartments any faster.
- If the temperature is too warm or too cold in the refrigerator or freezer, first check the air vents to be sure they are not blocked before adjusting the controls.

### Temperature Control

For your convenience, the Temperature control is preset at the factory. When you first install your refrigerator, make sure the control is still preset as shown.

#### Recommended Setting



### Cooling Off/On

- To turn cooling off, press and hold the Setting button for 4 seconds until all lights are illuminated for 1 second. To turn cooling back on, press and hold the Setting button again for 4 seconds.

**NOTE:** Neither compartment will cool when the control is set to OFF.



### Adjusting the Temperature Control

If you need to adjust the temperature in either the refrigerator or freezer compartment, use the settings listed in the chart below as a guide.

**NOTE:** Except when starting the refrigerator, do not adjust the control more than one setting at a time. Wait 24 hours between adjustments for the temperature to stabilize.

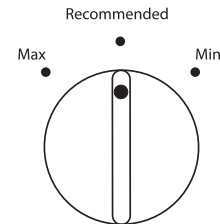
- Press the SETTING button to toggle among the 4 LED lights which indicate the temperature setting. Reading from left to right, the LED in the first position is the least cold. The LEDs indicate increasingly colder settings as you continue to the right until all 4 LEDs are illuminated.

CONDITION/REASON:	ADJUSTMENT:
REFRIGERATOR too warm	TEMPERATURE control one setting higher
FREEZER too warm/Too little ice	AIRFLOW or TEMPERATURE control one setting higher
REFRIGERATOR too cold	TEMPERATURE control one setting lower
FREEZER too cold	AIRFLOW or TEMPERATURE control one setting lower

### Airflow Control

The Airflow control regulates the amount of air flowing between the freezer and the refrigerator compartments.

When you plug in the refrigerator for the first time, turn the Airflow control to the Recommended setting.



### Adjusting the Airflow Control

If you want to temporarily increase the cold airflow to a specific compartment, adjust the control.

- Max - Increase airflow to the freezer.
- Min - Increase airflow to the refrigerator.

**IMPORTANT:** Once the performance is achieved, return the Airflow control to the Recommended setting to keep the refrigerator operating at optimum efficiency.

CONDITION/REASON:	ADJUSTMENT:
Heavy ice use	Max
Hot room temperature	Max - to maintain ice making production rate
Large quantity of groceries	Min - to quickly chill food and beverages

# REFRIGERATOR FEATURES

Your model may have some or all of these features.

## Important information to know about glass shelves and covers:

Do not clean glass shelves or covers with warm water when they are cold. Shelves and covers may break if exposed to sudden temperature changes or impact, such as bumping. Tempered glass is designed to shatter into many small, pebble-size pieces. This is normal. Glass shelves and covers are heavy. Use both hands when removing them to avoid dropping.

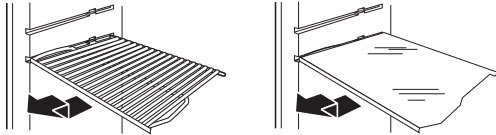
## Refrigerator Shelves

The shelves in your refrigerator are adjustable to match your individual storage needs.

Storing similar food items together in your refrigerator and adjusting the shelves to fit different heights of items will make finding the exact item you want easier. It will also reduce the amount of time the refrigerator door is open, and save energy.

### To remove and replace a shelf:

1. Remove items from the shelf.
2. Slide the shelf straight out to the stop.
3. Depending on your model, lift back or front of the shelf past the stop. Slide shelf out the rest of the way.
4. Replace the shelf by sliding the back of the shelf into the track in the wall of the cabinet.
5. Guide the front of the shelf into the shelf track. Be sure to slide the shelf in all the way.



## Deli Drawer

The deli drawer design allows flexible positioning.

### Deli Drawer

#### To reposition the deli drawer:

1. Remove deli drawer.
2. Release cover and place it between the desired crossbars.
3. Secure the rear clips onto the shelf.
4. Replace the deli drawer.

#### To remove and replace the deli drawer:

1. Slide deli drawer out to the stop.
2. Lift front of deli drawer with one hand while supporting bottom of drawer with other hand. Slide drawer out the rest of the way.
3. Replace the drawer by sliding it back in fully past the drawer stop.

### Deli Drawer Cover

#### To remove and replace the deli drawer cover:

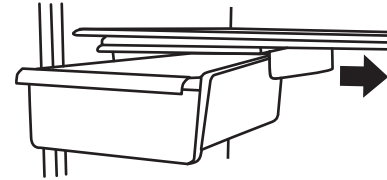
##### Style 1 - Wire Shelves

1. Remove the deli drawer.
2. Push the cover back to release the rear clips from the shelf. Tilt the cover up at the front, and then pull it forward.
3. Replace the deli drawer cover by fitting the notches and clips on the cover over the rear and center crossbars on the shelf.
4. Replace the deli drawer.

##### Style 2 - Glass Shelves

1. Remove the deli drawer.
2. Remove items from the shelf.
3. Slide the shelf straight out to the stop.
4. Slide the deli cover to one side until free.
5. Insert the cover into the shelf tracks.
6. Slide the shelf back into the refrigerator, and then replace the deli drawer.

**NOTE:** The deli drawer slides sideways on the shelf to allow for flexible positioning.



### Meat Storage Guide

Store most meat in original wrapping as long as it is airtight and moisture-proof. Rewrap if necessary. See the following chart for storage times. When storing meat longer than the times given, freeze the meat.

Fresh fish or shellfish..... Use same day as purchased.  
Chicken, ground beef, variety meats (liver) ..... 1-2 days  
Cold cuts, steaks/roasts ..... 3-5 days  
Cured meats ..... 7-10 days  
Leftovers - Cover leftovers with plastic wrap, aluminum foil, or plastic containers with tight lids.

## Crisper

### Crisper Drawers

#### To remove and replace the crisper drawer:

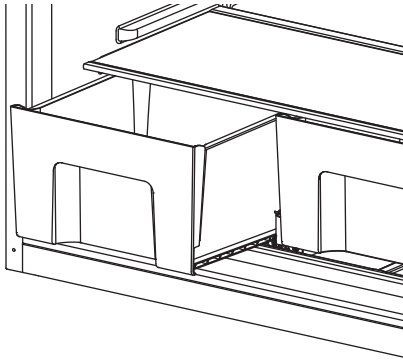
1. Slide the crisper drawer straight out to the stop. Lift the front and slide the drawer out the rest of the way.
2. Replace the drawer by sliding the drawer in fully past the stop.

### Crisper Cover

#### To remove and replace the crisper cover:

1. Remove the crisper(s).
2. Pull the glass straight out.

- Replace the glass by pushing it straight in.



### Crisper Humidity Control

You can control the amount of humidity in the moisture-sealed crisper. Adjust the control to any setting between LOW and HIGH. LOW (open) lets moist air out of the crisper for best storage of fruits and vegetables with skins.

- **Fruit:** Wash, let dry, and store in refrigerator in plastic bag or crisper. Do not wash or hull berries until they are ready to use. Sort and keep berries in original container in crisper or store in a loosely closed paper bag on a refrigerator shelf.
- **Vegetables with skins:** Place in plastic bag or plastic container and store in crisper.

HIGH (closed) keeps moist air in the crisper for best storage of fresh, leafy vegetables.

- **Leafy vegetables:** Wash in cold water, drain, and trim or tear off bruised and discolored areas. Place in plastic bag or plastic container and store in crisper.

## FREEZER FEATURES

Your model may have some or all of these features.

### Important information to know about glass shelves and covers:

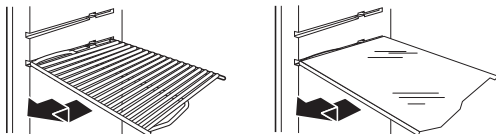
Do not clean glass shelves or covers with warm water when they are cold. Shelves and covers may break if exposed to sudden temperature changes or impact, such as bumping. Tempered glass is designed to shatter into many small, pebble-size pieces. This is normal. Glass shelves and covers are heavy. Use both hands when removing them to avoid dropping.

### Freezer Shelf

Depending on your model, the shelf may be wire or glass.

#### To remove and replace a shelf:

- Remove items from the shelf.
- Slide the shelf straight out to the stop.
- Depending on your model, lift back or front of the shelf past the stop. Slide shelf out the rest of the way.
- Replace the shelf by sliding the back of the shelf into the track in the wall of the cabinet.
- Guide the front of the shelf into the shelf track. Be sure to slide the shelf in all the way.



### Frozen Food Storage Guide

Storage times will vary according to the quality and type of food, the type of packaging or wrap used (should be airtight and moisture-proof), and the storage temperature. Seal the package or container securely to avoid taste and odor transfer throughout the product. Ice crystals inside a sealed package are normal. This simply means that moisture in the food and air inside the package have condensed, creating ice crystals.

Put no more unfrozen food into the freezer than will freeze within 24 hours (no more than 2 to 3 lbs of food per cubic foot [907 to 1,350 g per L] of freezer space). Leave enough space in the freezer for air to circulate around packages. The freezer door must close tightly.

**NOTE:** For more information on preparing food for freezing, check a freezer guide or reliable cookbook.

## DOOR FEATURES

Your model may have some or all of these features.

### Door Rails

The door rails may be removed for easier cleaning.

#### To remove and replace the rails:

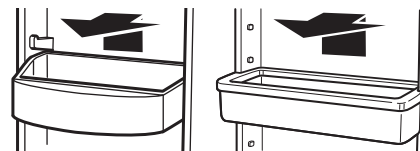
- Depending on your model, remove the rails by pushing in slightly on the front of the bracket while pulling out on the inside tab. Repeat these steps for the other end.
- Replace the rails by aligning the ends of the brackets with the buttons on the sides of the door liner. Firmly snap bracket and assembly onto the tabs above the shelf as shown.



### Door Bins

#### To remove and replace the bins:

- Remove the bin by lifting it and pulling it straight out.
- Replace the bin by sliding it in above the desired support and pushing it down until it stops.



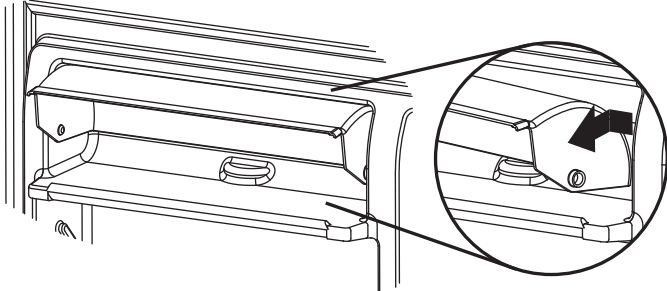
---

## Utility Compartment

The utility compartment may be removed for easier cleaning.

### To remove and replace the utility compartment:

1. Remove the utility compartment by squeezing against one side while raising the utility compartment up and pulling it straight out.
2. Replace the utility compartment by positioning one side in the lock and sliding in the opposite side until it stops.



---

## Ice Maker

**IMPORTANT:** For models with a water filter, after connecting the refrigerator to a water source or replacing the water filter, fill and discard three full containers of ice to prepare the water filter for use.

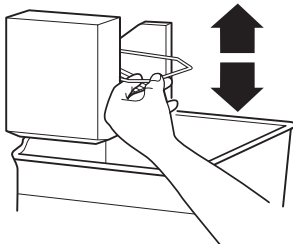
---

### Turning the Ice Maker On/Off

To turn the ice maker on, simply lower the wire shut-off arm.

To manually turn the ice maker off, lift the wire shut-off arm to the Off (arm up) position and listen for the click.

**NOTE:** Your ice maker has an automatic shutoff. As ice is made, the ice cubes will fill the ice storage bin and the ice cubes will raise the wire shut-off arm to the Off (arm up) position. Do not force the wire shut-off arm up or down.



---

### Ice Storage Bin

1. Wash the ice storage bin with mild soap and warm water.
2. Slide the ice storage bin under the ice maker and push it toward the back as far as it will go.
3. Lower the arm on the ice maker to the On position.

**NOTE:** It usually takes approximately 24 hours for the ice maker to begin producing ice. You may notice the ice has an "off-taste." If so, discard the first three batches of ice produced. After that the "off-taste" should be gone.

---

### Ice Production Rate

- The ice maker should produce approximately 8 to 12 batches of ice in a 24-hour period. Allow 3 days to completely fill the ice container.
- To increase ice production, lower the freezer and refrigerator temperatures. See "Using the Controls." Wait 24 hours between adjustments.

---

### Remember

- The quality of your ice will be only as good as the quality of the water supplied to your ice maker. Avoid connecting the ice maker to a softened water supply. Water softener chemicals (such as salt) can damage parts of the ice maker and lead to poor quality ice. If a softened water supply cannot be avoided, make sure the water softener is operating properly and is well maintained.
- Do not use anything sharp to break up the ice in the bin. This can cause damage to the ice storage bin and the dispenser mechanism.
- Do not store anything on top of or in the ice maker or ice storage bin.

---

## REFRIGERATOR CARE

---

### Cleaning

#### **⚠ WARNING**



#### **Explosion Hazard**

**Use nonflammable cleaner.**

**Failure to do so can result in death, explosion, or fire.**

Both the refrigerator and freezer sections defrost automatically. However, clean both sections about once a month to avoid buildup of odors. Wipe up spills immediately.

### **IMPORTANT:**

- Because air circulates between both sections, any odors formed in one section will transfer to the other. You must thoroughly clean both sections to eliminate odors. To avoid odor transfer and drying out of food, wrap or cover foods tightly.
- For stainless steel models, stainless steel is corrosion-resistant and not corrosion-proof. To help avoid corrosion of your stainless steel, keep your surfaces clean by using the following cleaning instructions.

### **To Clean Your Refrigerator:**

**NOTE:** Do not use abrasive or harsh cleaners such as window sprays, scouring cleansers, flammable fluids, muriatic acid, cleaning waxes, concentrated detergents, bleaches or cleansers containing petroleum products on exterior surfaces (doors and cabinet), plastic parts, interior and door liners, or gaskets. Do not use paper towels, scouring pads, or other harsh cleaning tools.

1. Unplug refrigerator or disconnect power.
2. Hand wash, rinse, and dry removable parts and interior surfaces thoroughly. Use a clean sponge or soft cloth and a mild detergent in warm water.

3. Clean the exterior surfaces.

**Painted metal:** Wash painted metal exteriors with a clean, soft cloth or sponge and a mild detergent in warm water. Rinse surfaces with clean, warm water and dry immediately to avoid water spots.

**Stainless steel:** Wash stainless steel surfaces with a clean, soft cloth or sponge and a mild detergent in warm water. Rinse surfaces with clean, warm water and dry immediately to avoid water spots.

**NOTE:** When cleaning stainless steel, always wipe in the direction of the grain to avoid cross-grain scratching.

4. There is no need for routine condenser cleaning in normal home operating environments. If the environment is particularly greasy or dusty, or there is significant pet traffic in the home, the condenser should be cleaned every 2 to 3 months to ensure maximum efficiency.

If you need to clean the condenser:

- Remove the base grille.
- Use a vacuum cleaner with a soft brush to clean the grille, the open areas behind the grille, and the front surface area of the condenser.
- Replace the base grille when finished.

5. Plug in refrigerator or reconnect power.

---

## Changing the Light Bulb

**NOTE:** Applies to some models.

**IMPORTANT:** The light bulbs in both the refrigerator and freezer compartments of your new refrigerator use LED technology. If the lights do not illuminate when the refrigerator and/or freezer door is opened, call for assistance or service.

---

### Refrigerator Compartment Light

The refrigerator light bulb is located behind the control.

1. Unplug refrigerator or disconnect power.
2. Remove the light bulb and replace it with an appliance bulb of the same size and shape.
  - To replace the LED bulb with an LED bulb, order part number W10565137 (3.6 watts).

**NOTE:** Some LED replacement bulbs are not recommended for wet/damp environments. The refrigerator and freezer compartments are considered to be wet/damp environments. If using a brand of LED bulb other than the recommended LED bulb, before installation, read and follow all instructions on the LED packaging.
  - To replace an LED bulb with an incandescent bulb, use only incandescent bulbs for household appliances with a maximum of 60 watts.
3. Plug in refrigerator or reconnect power.

---

## Vacation and Moving Care

---

### Vacations

#### If You Choose to Leave the Refrigerator On While You're Away:

1. Use up any perishables and freeze other items.
2. If your refrigerator has an automatic ice maker and is connected to the household water supply, turn off the water supply to the refrigerator. Property damage can occur if the water supply is not turned off.
3. If you have an automatic ice maker, turn off the ice maker.

**NOTE:** Raise the wire shut-off arm to OFF (up) position.
4. Empty the ice bin.

#### If You Choose to Turn Off the Refrigerator Before You Leave:

1. Remove all food from the refrigerator.
2. If your refrigerator has an automatic ice maker:
  - Turn off the water supply to the ice maker at least one day ahead of time.
  - When the last load of ice drops, raise the wire shut-off arm to the Off (up) position.
3. Turn off the Temperature controls. See "Using the Controls."
4. Clean refrigerator, wipe it, and dry well.
5. Tape rubber or wood blocks to the tops of both doors to prop them open far enough for air to get in. This stops odor and mold from building up.

---

### Moving

When you are moving your refrigerator to a new home, follow these steps to prepare it for the move.

1. If your refrigerator has an automatic ice maker:
  - Turn off the water supply to the ice maker at least one day ahead of time.
  - Disconnect the water line from the back of the refrigerator.
  - When the last load of ice drops, raise the wire shut-off arm to the Off (up) position.
2. Remove all food from the refrigerator and pack all frozen food in dry ice.
3. Empty the ice bin.
4. Turn off the Temperature controls. See "Using the Controls."
5. Unplug refrigerator.
6. Clean, wipe, and dry thoroughly.
7. Take out all removable parts, wrap them well, and tape them together so they don't shift and rattle during the move.
8. Depending on the model, raise the front of the refrigerator so it rolls more easily OR raise the leveling screws so they don't scrape the floor. See "Adjust the Door(s)" or "Door Closing and Door Alignment."
9. Tape the doors closed and tape the power cord to the back of the refrigerator.

When you get to your new home, put everything back and refer to the "Installation Instructions" section for preparation instructions. Also, if your refrigerator has an automatic ice maker, remember to reconnect the water supply to the refrigerator.



# TROUBLESHOOTING

First try the solutions suggested here. If you need further assistance or more recommendations that may help you avoid a service call, refer to the warranty page in this manual and scan the code with your mobile device, or visit [www.whirlpool.com/product\\_help](http://www.whirlpool.com/product_help). In Canada, visit [www.whirlpool.ca](http://www.whirlpool.ca).

Contact us by mail with any questions or concerns at the address below:

In the U.S.A.:

Whirlpool Brand Home Appliances  
Customer eXperience Center  
553 Benson Road  
Benton Harbor, MI 49022-2692

In Canada:

Whirlpool Brand Home Appliances  
Customer eXperience Centre  
200 – 6750 Century Ave.  
Mississauga, Ontario L5N 0B7

Please include a daytime phone number in your correspondence.

## Refrigerator Operation

### The refrigerator will not operate

#### ⚠ WARNING



#### Electrical Shock Hazard

**Plug into a grounded 3 prong outlet.**

**Do not remove ground prong.**

**Do not use an adapter.**

**Do not use an extension cord.**

**Failure to follow these instructions can result in death, fire, or electrical shock.**

- **Power cord unplugged?** Plug into a grounded 3 prong outlet.
- **Is outlet working?** Plug in a lamp to see if the outlet is working.
- **Household fuse blown or circuit breaker tripped?** Replace the fuse or reset the circuit breaker. If the problem continues, call an electrician.
- **Controls on?** Make sure the refrigerator control is ON. See “Using the Controls.”
- **New installation?** Allow 24 hours following installation for the refrigerator to cool completely.  
**NOTE:** Adjusting the temperature controls to coldest setting will not cool the refrigerator more quickly.

### The lights do not work

**Light bulb burned out?** Replace light bulb. See “Changing the Light Bulb.”

### The motor seems to run too much

Your new refrigerator may run longer than your old one due to its high-efficiency compressor and fans. The unit may run even longer if the room is warm, a large food load is added, the door is opened often, or if the door has been left open.

### The refrigerator seems noisy

Refrigerator noise has been reduced over the years. Due to this reduction, you may hear intermittent noises from your new refrigerator that you did not notice from your old model. Below are listed some normal sounds with explanations.

- **Buzzing** - heard when the water valve opens to fill the ice maker
- **Pulsating** - fans/compressor adjusting to optimize performance.
- **Hissing/Rattling** - flow of refrigerant, movement of water lines, or from items placed on top of the refrigerator.
- **Sizzling/Gurgling** - water dripping on the heater during Defrost cycle
- **Popping** - contraction/expansion of inside walls, especially during initial cooldown
- **Water running/dripping** - may be heard when ice melts during defrosting and water runs into the drain pan.
- **Creaking/Cracking** - occurs as ice is being ejected from the ice maker mold

### The doors will not close completely or they pop open

- **Door blocked open?** Move food packages away from door.
- **Bin or shelf in the way?** Push bin or shelf back in the correct position.
- **Crisper cover in the way?** Make sure the crisper cover is fully pushed in so that the back rests on the supports.
- **Refrigerator not tilted toward the rear?** So the doors will close easier, raise the front of the refrigerator so that it tilts slightly downward toward the rear. See “Adjust the Doors.”
- **Door closed too quickly?** Close the door slowly and firmly to keep the door from popping open.

The door is difficult to open

## ⚠️ WARNING



### Explosion Hazard

Use nonflammable cleaner.

Failure to do so can result in death, explosion, or fire.

- **Gaskets dirty or sticky?** Clean gaskets and contact surfaces with mild soap and warm water. Rinse and dry with soft cloth.

## Temperature and Moisture

### Temperature is too warm

- **New installation?** Allow 24 hours following installation for the refrigerator to cool completely.
- **Door opened often or left open?** Allows warm air to enter refrigerator. Minimize door openings and keep door fully closed.
- **Large load of food added?** Allow several hours for refrigerator to return to normal temperature.
- **Controls set correctly for the surrounding conditions?** Adjust the controls a setting colder. Check temperature in 24 hours. See "Using the Controls."

### There is interior moisture buildup

**NOTE:** Some moisture buildup is normal.

- **Humid room?** Contributes to moisture buildup.
- **Door opened often or left open?** Allows humid air to enter refrigerator. Minimize door openings and keep door fully closed.

## Ice and Water

### The ice maker is not producing ice or not enough ice

- **Refrigerator connected to a water supply and the supply shut-off valve turned on?** Connect refrigerator to water supply and turn water shut-off valve fully open.
- **Kink in the water source line?** A kink in the line can reduce water flow. Straighten the water source line.
- **Ice maker turned on?** Make sure wire shut-off arm or switch (depending on model) is in the On position.
- **New installation?** Wait 24 hours after ice maker installation for ice production to begin. Allow 3 days to completely fill the ice container.
- **Large amount of ice recently removed?** Allow 24 hours for ice maker to produce more ice.
- **Ice cube jammed in the ice maker ejector arm?** Remove ice from the ejector arm with a plastic utensil.
- **Reverse osmosis water filtration system connected to your cold water supply?** This can decrease water pressure. See "Water Supply Requirements."

### The ice cubes are hollow or small

**NOTE:** This is an indication of low water pressure.

- **Water shut-off valve not fully open?** Turn the water shut-off valve fully open.
- **Kink in the water source line?** A kink in the line can reduce water flow. Straighten the water source line.
- **Reverse osmosis water filtration system connected to your cold water supply?** This can decrease water pressure. See "Water Supply Requirements."
- **Questions remain regarding water pressure?** Call a licensed, qualified plumber.

### Off-taste, odor, or gray color in the ice

- **New plumbing connections?** New plumbing connections can cause discolored or off-flavored ice.
- **Ice stored too long?** Discard ice. Wash ice bin. Allow 24 hours for ice maker to make new ice.
- **Odor transfer from food?** Use airtight, moisture proof packaging to store food.
- **Are there minerals (such as sulfur) in the water?** A water filter may need to be installed to remove the minerals.

## ACCESSORIES

The following accessories are available for your refrigerator. To order, contact us and ask for the part number.

In the U.S.A., visit our webpage [www.whirlpool.com/accessories](http://www.whirlpool.com/accessories) or call 1-800-901-2042.

In Canada, visit our webpage [www.whirlpoolparts.ca](http://www.whirlpoolparts.ca) or call 1-800-807-6777.

### affresh® Stainless Steel Cleaner:

In U.S.A., order Part #W10355016

In Canada, order Part #W10355016B

### affresh® Stainless Steel Wipes:

In U.S.A., order Part #W10355049

In Canada, order Part #W10355049B

### affresh® Kitchen & Appliance Cleaner:

In U.S.A., order Part #W10355010

In Canada, order Part #W10355010B

### Reversibility Kit:

Order Part # W10395148

# WHIRLPOOL® MAJOR APPLIANCE LIMITED WARRANTY

ATTACH YOUR RECEIPT HERE. PROOF OF PURCHASE IS REQUIRED TO OBTAIN WARRANTY SERVICE.

Please have the following information available when you call the Customer eXperience Center:

- Name, address and telephone number
- Model number and serial number
- A clear, detailed description of the problem
- Proof of purchase including dealer or retailer name and address

## IF YOU NEED SERVICE:

1. Before contacting us to arrange service, please determine whether your product requires repair. Some questions can be addressed without service. Please take a few minutes to review the Troubleshooting or Problem Solver section of the Use and Care Guide, scan the QR code on the right to access additional resources, or visit [www.whirlpool.com/product\\_help](http://www.whirlpool.com/product_help).
2. All warranty service is provided exclusively by our authorized Whirlpool Service Providers. In the U.S. and Canada, direct all requests for warranty service to:

**Whirlpool Customer eXperience Center**

**In the U.S.A., call 1-800-253-1301. In Canada, call 1-800-807-6777.**

If outside the 50 United States or Canada, contact your authorized Whirlpool dealer to determine whether another warranty applies.



[www.whirlpool.com/product\\_help](http://www.whirlpool.com/product_help)

## ONE YEAR LIMITED WARRANTY

### WHAT IS COVERED

For one year from the date of purchase, when this major appliance is installed, operated and maintained according to instructions attached to or furnished with the product, Whirlpool Corporation or Whirlpool Canada LP (hereafter "Whirlpool") will pay for Factory Specified Replacement Parts and repair labor to correct defects in materials or workmanship that existed when this major appliance was purchased, or at its sole discretion replace the product. In the event of product replacement, your appliance will be warranted for the remaining term of the original unit's warranty period.

YOUR SOLE AND EXCLUSIVE REMEDY UNDER THIS LIMITED WARRANTY SHALL BE PRODUCT REPAIR AS PROVIDED HEREIN. Service must be provided by a Whirlpool designated service company. This limited warranty is valid only in the United States or Canada and applies only when the major appliance is used in the country in which it was purchased. This limited warranty is effective from the date of original consumer purchase. Proof of original purchase date is required to obtain service under this limited warranty.

### WHAT IS NOT COVERED

1. Commercial, non-residential, multiple-family use, or use inconsistent with published user, operator or installation instructions.
2. In-home instruction on how to use your product.
3. Service to correct improper product maintenance or installation, installation not in accordance with electrical or plumbing codes or correction of household electrical or plumbing (i.e. house wiring, fuses or water inlet hoses).
4. Consumable parts (i.e. light bulbs, batteries, air or water filters, preservation solutions, etc.).
5. Defects or damage caused by the use of non-genuine Whirlpool parts or accessories.
6. Conversion of products from natural gas or L.P. gas.
7. Damage from accident, misuse, abuse, fire, floods, acts of God or use with products not approved by Whirlpool.
8. Repairs to parts or systems to correct product damage or defects caused by unauthorized service, alteration or modification of the appliance.
9. Cosmetic damage including scratches, dents, chips, and other damage to the appliance finishes unless such damage results from defects in materials and workmanship and is reported to Whirlpool within 30 days.
10. Discoloration, rust or oxidation of surfaces resulting from caustic or corrosive environments including but not limited to high salt concentrations, high moisture or humidity or exposure to chemicals.
11. Food or medicine loss due to product failure.
12. Pick-up or delivery. This product is intended for in-home repair.
13. Travel or transportation expenses for service in remote locations where an authorized Whirlpool servicer is not available.
14. Removal or reinstallation of inaccessible appliances or built-in fixtures (i.e. trim, decorative panels, flooring, cabinetry, islands, countertops, drywall, etc.) that interfere with servicing, removal or replacement of the product.
15. Service or parts for appliances with original model/serial numbers removed, altered or not easily determined.

**The cost of repair or replacement under these excluded circumstances shall be borne by the customer.**

### DISCLAIMER OF IMPLIED WARRANTIES

IMPLIED WARRANTIES, INCLUDING ANY IMPLIED WARRANTY OF MERCHANTABILITY OR IMPLIED WARRANTY OF FITNESS FOR A PARTICULAR PURPOSE, ARE LIMITED TO ONE YEAR OR THE SHORTEST PERIOD ALLOWED BY LAW. Some states and provinces do not allow limitations on the duration of implied warranties of merchantability or fitness, so this limitation may not apply to you. This warranty gives you specific legal rights, and you also may have other rights that vary from state to state or province to province.

### DISCLAIMER OF REPRESENTATIONS OUTSIDE OF WARRANTY

Whirlpool makes no representations about the quality, durability, or need for service or repair of this major appliance other than the representations contained in this warranty. If you want a longer or more comprehensive warranty than the limited warranty that comes with this major appliance, you should ask Whirlpool or your retailer about buying an extended warranty.

### LIMITATION OF REMEDIES; EXCLUSION OF INCIDENTAL AND CONSEQUENTIAL DAMAGES

YOUR SOLE AND EXCLUSIVE REMEDY UNDER THIS LIMITED WARRANTY SHALL BE PRODUCT REPAIR AS PROVIDED HEREIN. WHIRLPOOL SHALL NOT BE LIABLE FOR INCIDENTAL OR CONSEQUENTIAL DAMAGES. Some states and provinces do not allow the exclusion or limitation of incidental or consequential damages, so these limitations and exclusions may not apply to you. This warranty gives you specific legal rights, and you also may have other rights that vary from state to state or province to province.



# INSTRUCTIONS D'UTILISATION DU RÉFRIGÉRATEUR

Nous vous REMERCIONS d'avoir acheté ce produit de haute qualité. Enregistrer votre nouveau réfrigérateur sur le site internet [www.whirlpool.ca](http://www.whirlpool.ca).

Pour référence ultérieure, consigner par écrit les numéros de modèle et de série de votre produit. Ceux-ci sont situés sur la paroi interne du compartiment de réfrigération.

Numéro de modèle \_\_\_\_\_ Numéro de série \_\_\_\_\_

## SÉCURITÉ DU RÉFRIGÉRATEUR

### Votre sécurité et celle des autres est très importante.

Nous donnons de nombreux messages de sécurité importants dans ce manuel et sur votre appareil ménager. Assurez-vous de toujours lire tous les messages de sécurité et de vous y conformer.



Voici le symbole d'alerte de sécurité.

Ce symbole d'alerte de sécurité vous signale les dangers potentiels de décès et de blessures graves à vous et à d'autres.

Tous les messages de sécurité suivront le symbole d'alerte de sécurité et le mot "DANGER" ou "AVERTISSEMENT". Ces mots signifient :

**⚠ DANGER**

**Risque possible de décès ou de blessure grave si vous ne suivez pas immédiatement les instructions.**

**⚠ AVERTISSEMENT**

**Risque possible de décès ou de blessure grave si vous ne suivez pas les instructions.**

Tous les messages de sécurité vous diront quel est le danger potentiel et vous disent comment réduire le risque de blessure et ce qui peut se produire en cas de non-respect des instructions.

### IMPORTANTES INSTRUCTIONS DE SÉCURITÉ

**AVERTISSEMENT :** Pour réduire les risques d'incendie, de choc électrique ou des blessures lors de l'utilisation du réfrigérateur, prendre quelques précautions fondamentales, y compris les suivantes :

- Brancher l'appareil sur une prise à 3 alvéoles reliée à la terre.
- Ne pas enlever la broche de liaison à la terre.
- Ne pas utiliser un adaptateur.
- Ne pas utiliser un câble de rallonge.
- Débrancher la source de courant électrique avant l'entretien.
- Replacer pièces et panneaux avant de faire la remise en marche.
- Enlever les portes de votre vieux réfrigérateur.
- Raccorder à la canalisation d'arrivée d'eau potable uniquement.
- Utiliser un produit de nettoyage ininflammable.
- Garder les matériaux et les vapeurs inflammables, telle que l'essence, loin du réfrigérateur.
- Utiliser deux ou plus de personnes pour déplacer et installer le réfrigérateur.
- Débrancher le réfrigérateur avant l'installation de la machine à glaçons (seulement pour modèles prêts à recevoir une machine à glaçons).
- Utiliser un verre robuste pour prendre des glaçons (sur certains modèles).
- Ne pas heurter les portes en verre du réfrigérateur (sur certains modèles).
- Cet appareil ne convient pas à une utilisation par des personnes (y compris des enfants) à capacités physiques, sensorielles ou mentales réduites, ou possédant un manque d'expérience et de connaissances, à moins qu'elles ne soient placées sous supervision ou qu'elles aient reçu des instructions concernant l'utilisation de l'appareil par une personne responsable de leur sécurité.
- Les enfants doivent être placés sous surveillance afin de s'assurer qu'ils ne jouent pas avec l'appareil.

**CONSERVEZ CES INSTRUCTIONS**

Avertissements de la proposition 65 de l'État de Californie :

**AVERTISSEMENT :** Ce produit contient au moins un produit chimique connu par l'État de Californie pour être à l'origine de cancers.

**AVERTISSEMENT :** Ce produit contient au moins un produit chimique connu par l'État de Californie pour être à l'origine de malformations et autres déficiences de naissance.

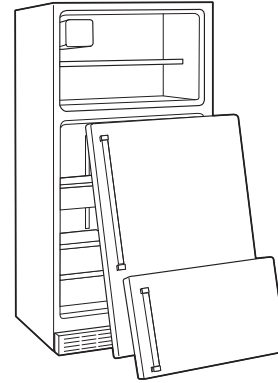
## Mise au rebut appropriée de votre vieux réfrigérateur

### **⚠ AVERTISSEMENT**

#### **Risque de suffoquer**

**Enlever les portes de votre vieux réfrigérateur.**

**Le non-respect de cette instruction peut causer un décès ou des lésions cérébrales.**



**IMPORTANT :** L'emprisonnement et l'étouffement des enfants ne sont pas un problème du passé. Les réfrigérateurs jetés ou abandonnés sont encore dangereux, même s'ils sont laissés abandonnés pendant "quelques jours seulement". Si vous vous débarrassez de votre vieux réfrigérateur, veuillez suivre les instructions suivantes pour aider à éviter les accidents.

#### **Avant de jeter votre vieux réfrigérateur ou congélateur :**

- Enlever les portes.
- Laisser les tablettes en place de sorte que les enfants ne puissent pas y pénétrer facilement.

#### **Renseignements importants à propos de la mise au rebut des fluides réfrigérants :**

Mettre le réfrigérateur au rebut conformément à la réglementation fédérale et locale. Les fluides réfrigérants doivent être évacués par un technicien certifié et agréé par l'EPA conformément aux procédures établies.

## INSTRUCTIONS D'INSTALLATION

### Déballage du réfrigérateur

### **⚠ AVERTISSEMENT**

#### **Risque du poids excessif**

**Utiliser deux ou plus de personnes pour déplacer et installer le réfrigérateur.**

**Le non-respect de cette instruction peut causer une blessure au dos ou d'autre blessure.**

- Ne pas utiliser d'instruments coupants, d'alcool à friction, de liquides inflammables ou de nettoyants abrasifs pour enlever le ruban adhésif ou la colle. Ces produits peuvent endommager la surface de votre réfrigérateur. Pour plus de renseignements, voir "Sécurité du réfrigérateur".

#### **Déplacement de votre réfrigérateur :**

Votre réfrigérateur est lourd. Lors du déplacement de votre réfrigérateur pour le nettoyage ou un entretien ou réparation, veiller à recouvrir le plancher avec du carton ou un panneau de fibres dures pour éviter qu'il ne subisse tout dommage. Toujours tirer le réfrigérateur tout droit lors de son déplacement. Ne pas incliner le réfrigérateur d'un côté ou de l'autre ni le "faire marcher" en essayant de le déplacer car le plancher pourrait être endommagé.

#### **Retirer les matériaux d'emballage**

**IMPORTANT :** Ne pas enlever le dispositif de refoulement de l'air en mousse blanche de derrière le tableau de commande sur le plafond du réfrigérateur. Si le dispositif est enlevé, de la glace peut se former en provenance du congélateur et causer la formation de glaçons.

- Enlever le ruban adhésif et tout résidu de colle des surfaces du réfrigérateur avant de le mettre en marche. Frotter une petite quantité de savon liquide à vaisselle sur l'adhésif avec les doigts. Rincer à l'eau tiède et essuyer avec un chiffon doux.

## Nettoyage avant l'utilisation

Après avoir enlevé tous les matériaux d'emballage, nettoyer l'intérieur du réfrigérateur avant de l'utiliser. Voir les instructions de nettoyage dans la section "Entretien du réfrigérateur".

### Importants renseignements à savoir au sujet des tablettes et des couvercles en verre :

Ne pas nettoyer les tablettes ou couvercles en verre avec de l'eau tiède quand ils sont froids. Les tablettes et les couvercles peuvent se briser s'ils sont exposés à des changements soudains de température ou à un impact tel que coup brusque. Le verre trempé est conçu pour éclater en d'innombrables pièces minuscules. Ceci est normal. Les tablettes et les couvercles en verre sont lourds. Les saisir à deux mains lors de leur dépose afin d'éviter de les faire tomber.

## Exigences d'emplacement

### ⚠ AVERTISSEMENT



#### Risque d'explosion

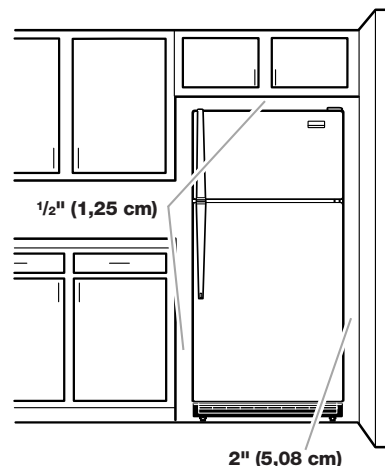
Garder les matériaux et les vapeurs inflammables, telle que l'essence, loin du réfrigérateur.

Le non-respect de cette instruction peut causer un décès, une explosion ou un incendie.

**IMPORTANT :** Ce réfrigérateur est conçu pour un usage domestique, à l'intérieur uniquement.

Pour obtenir une aération appropriée pour votre réfrigérateur, laisser un espace de 1/2" (1,25 cm) de chaque côté et au sommet. Laisser un espace de 1" (2,54 cm) derrière le réfrigérateur. Si votre réfrigérateur comporte une machine à glaçons, s'assurer qu'un espace additionnel est prévu à l'arrière pour permettre les raccordements des conduits d'eau. En cas d'installation du réfrigérateur près d'un mur fixe, laisser un minimum de 2" (5,08 cm) du côté de la charnière (certains modèles nécessitent davantage d'espace) pour permettre à la porte de s'ouvrir sans obstruction.

**REMARQUE :** Ce réfrigérateur est conçu pour être utilisé dans un endroit où la température est comprise entre un minimum de 55°F (13°C) et un maximum de 110°F (43°C). La plage de température ambiante idéale pour une performance optimale est comprise entre 60°F (15°C) et 90°F (32°C). Respecter cette plage de température permet aussi de réduire la consommation d'électricité et d'optimiser l'efficacité du refroidissement. Il est recommandé de ne pas installer le réfrigérateur près d'une quelconque source de chaleur, tel un four ou un radiateur.



## Spécifications électriques

### ⚠ AVERTISSEMENT



#### Risque de choc électrique

Brancher sur une prise à 3 alvéoles reliée à la terre.

Ne pas enlever la broche de liaison à la terre.

Ne pas utiliser un adaptateur.

Ne pas utiliser un câble de rallonge.

Le non-respect de ces instructions peut causer un décès, un incendie ou un choc électrique.

Avant de placer le réfrigérateur à son emplacement final, il est important de vous assurer d'avoir la connexion électrique appropriée.

#### Méthode recommandée de mise à la terre

Une source d'alimentation de 115 volts, 60 Hz, type 15 ou 20 ampères CA seulement, protégée par fusible et adéquatement mise à la terre, est nécessaire. Il est recommandé d'utiliser un circuit distinct pour alimenter uniquement votre réfrigérateur. Utiliser une prise murale qui ne peut pas être mise hors circuit à l'aide d'un commutateur. Ne pas utiliser un câble de rallonge.

**REMARQUE :** Avant d'installer ou de nettoyer un quelconque élément, ou de retirer une ampoule d'éclairage, désactiver le refroidissement ou placer la commande (du thermostat, réfrigérateur ou congélateur selon le modèle) à OFF (arrêt) et débrancher ensuite le réfrigérateur de la source d'alimentation électrique. Lorsque vous avez terminé, reconnecter le réfrigérateur à la source d'alimentation électrique et réactiver le refroidissement ou replacer la commande (du thermostat, réfrigérateur ou congélateur selon le modèle) au réglage désiré. Voir "Utilisation des commandes" dans les instructions d'utilisation, le guide d'utilisation, ou le guide d'utilisation et d'entretien.

## Spécifications de l'alimentation en eau

Rassembler les outils et pièces nécessaires avant de commencer l'installation. Lire et suivre les instructions fournies avec les outils indiqués ici.

### OUTILLAGE REQUIS :

- Tournevis à lame plate
- Clés plates de 7/16" et 1/2" ou deux clés à molette
- Tourne-écrou de 1/4"
- Foret de 1/4"
- Perceuse sans fil

**REMARQUE :** Votre marchand de réfrigérateurs dispose d'une trousse disponible avec un robinet d'arrêt à étrier de 1/4" (6,35 mm), un raccord et un tube en cuivre. Avant l'achat, s'assurer que le robinet d'arrêt à étrier est conforme à vos codes locaux de plomberie. Ne pas employer de robinet d'arrêt à étrier de 3/16" (4,76 mm) ou de type à percer, ce qui réduit le débit d'eau et cause une obstruction plus facilement.

### IMPORTANT :

- Toutes les installations doivent être conformes aux exigences des codes locaux de plomberie.
- Utiliser un tube en cuivre et vérifier s'il y a des fuites. Installer les tubes en cuivre seulement à des endroits où la température se maintient au-dessus du point de congélation.

### Pression de l'eau

Une alimentation en eau froide avec une pression comprise entre 30 et 120 lb/po<sup>2</sup> (207 et 827 kPa) est nécessaire pour faire fonctionner le distributeur d'eau et la machine à glaçons. Si vous avez des questions au sujet de la pression de votre eau, appeler un plombier qualifié agréé.

### Alimentation en eau par osmose inverse

**IMPORTANT :** La pression de l'alimentation en eau entre le système d'osmose inverse et la valve d'arrivée d'eau du réfrigérateur doit être entre 30 et 120 lb/po<sup>2</sup> (207 et 827 kPa).

Si un système de purification de l'eau par osmose inverse est raccordé à votre alimentation en eau froide, la pression de l'eau au système doit être d'un minimum de 40 à 60 lb/po<sup>2</sup> (276 à 414 kPa).

Si la pression de l'eau au système d'osmose inverse est inférieure à 40 à 60 lb/po<sup>2</sup> (276 à 414 kPa) :

- Vérifier si le filtre à sédiments du système d'osmose inverse est bloqué et le remplacer si nécessaire.
- Laisser le réservoir du système d'osmose inverse se remplir après une utilisation intense.

Si vous avez des questions au sujet de la pression de votre eau, appeler un plombier qualifié agréé.

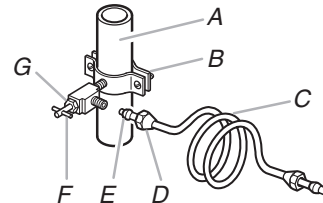
## Raccordement de la canalisation d'eau

Lire toutes les instructions avant de commencer.

**IMPORTANT :** Si on doit mettre le réfrigérateur sous tension avant qu'il soit raccordé à la canalisation d'eau, placer la commande de la machine à glaçons à la position OFF (arrêt).

### Raccordement à une canalisation d'eau

1. Débrancher le réfrigérateur ou déconnecter la source de courant électrique.
2. Fermer le robinet principal d'arrivée d'eau. Ouvrir le robinet de puisage le plus proche pendant une période suffisante pour que la canalisation d'eau se vide.
3. Trouver une canalisation d'eau froide verticale de 1/2" à 1 1/4" (1,25 cm à 3,18 cm) près du réfrigérateur.  
**IMPORTANT :**
  - Assurez-vous qu'il s'agit d'un conduit d'eau froide.
  - Un conduit horizontal fonctionnera, mais percer par le dessus de la canalisation et non pas par le dessous. Ainsi, l'eau ne risquera pas d'arroser la perceuse. Ceci empêche également les sédiments qu'on trouve normalement dans l'eau de s'accumuler dans le robinet.
4. Pour déterminer la longueur du tube en cuivre, il faut mesurer la distance entre le point de connexion inférieur gauche à l'arrière du réfrigérateur et la canalisation d'eau. Ajouter une longueur de 7 pi (2,1 m) pour permettre le déplacement du réfrigérateur pour le nettoyage. Utiliser un tube en cuivre de 1/4" (6,35 mm) de diamètre extérieur. Veiller à ce que le tube soit coupé d'équerre aux deux extrémités.
5. À l'aide d'une perceuse sans fil, percer un trou de 1/4" dans le tuyau de canalisation d'eau froide choisi.

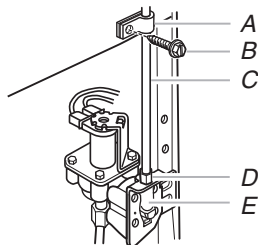


- A. Canalisation d'eau froide
- B. Bride de tuyau
- C. Tube en cuivre
- D. Écrou de compression
- E. Bague de compression
- F. Robinet d'arrêt
- G. Écrou de serrage

6. Fixer le robinet d'arrêt sur la canalisation d'eau froide avec la bride de tuyau. Vérifier que le raccord de sortie du robinet est bien engagé dans le trou de 1/4" percé dans la canalisation et que la rondelle d'étanchéité est placée sous la bride de tuyau. Serrer l'écrou de serrage. Serrer lentement et uniformément les vis de la bride de tuyau afin que la rondelle forme une jonction étanche. Ne pas serrer excessivement car ceci pourrait provoquer l'écrasement du tube en cuivre.
7. Enfiler l'écrou et la bague de compression du raccord sur le tube en cuivre comme on le voit sur l'illustration. Insérer l'extrémité du tube tout droit et aussi loin que possible dans l'ouverture de sortie du robinet. Visser l'écrou de compression sur l'ouverture de sortie avec une clé à molette. Ne pas serrer excessivement.
8. Placer le bout libre du tube dans un contenant ou évier et OUVRIRE le robinet principal d'arrivée d'eau et laisser l'eau s'écouler par le tube jusqu'à ce que l'eau soit limpide. FERMER le robinet principal d'arrivée d'eau. Enrouler le tube en cuivre en spirale.

## Raccordement au réfrigérateur

1. Débrancher le réfrigérateur ou déconnecter la source de courant électrique.
2. Connecter le tube en cuivre au robinet d'arrivée d'eau en utilisant un écrou et une bague de compression tel qu'illustré. Serrer l'écrou de compression. Ne pas serrer excessivement.
3. Utiliser la bride du tube à l'arrière du réfrigérateur pour fixer le tube au réfrigérateur tel qu'illustré. Ceci aide à éviter d'endommager le tube lorsque le réfrigérateur est poussé contre le mur.
4. Ouvrir le robinet d'arrêt.
5. Inspecter pour rechercher les fuites. Serrer tous les raccords (y compris les raccords de la valve d'entrée d'eau) ou les écrous qui coulent.



A. Bride de tube  
B. Vis de bride de tube  
C. Tube en cuivre  
D. Écrou de compression  
E. Valve d'entrée d'eau

6. La machine à glaçons est équipée d'un filtre à eau incorporé. Si la qualité de l'eau distribuée localement nécessite un deuxième filtre à eau, l'installer dans la canalisation d'eau de  $\frac{1}{4}$ " (6,35 mm) à l'une ou l'autre extrémité de la canalisation. On peut obtenir un tel filtre à eau chez le marchand d'appareils électroménagers le plus proche.

## Achever l'installation

### ⚠ AVERTISSEMENT



#### Risque de choc électrique

**Brancher sur une prise à 3 alvéoles reliée à la terre.**

**Ne pas enlever la broche de liaison à la terre.**

**Ne pas utiliser un adaptateur.**

**Ne pas utiliser un câble de rallonge.**

**Le non-respect de ces instructions peut causer un décès, un incendie ou un choc électrique.**

1. Brancher sur une prise à 3 alvéoles reliée à la terre.

**REMARQUE :** Attendre 24 heures pour produire la première quantité de glaçons. Jeter les trois premières quantités de glaçons produites. Attendre 3 jours pour que le bac à glaçons se remplisse entièrement.

## Portes du réfrigérateur

En fonction de la largeur de l'ouverture de la porte, il faudra peut-être retirer les portes pour pouvoir introduire le réfrigérateur dans le domicile. Les charnières de portes ont été installées à l'usine sur le côté droit de l'appareil. Si l'on souhaite que la porte puisse s'ouvrir depuis le côté opposé, le sens d'ouverture de la porte doit être inversé.

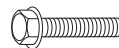
### IMPORTANT :

- Avant de commencer, tourner la commande du réfrigérateur à Off (arrêt), débrancher le réfrigérateur ou déconnecter la source de courant électrique. Retirer les aliments et tout balconnet ou compartiment utilitaire des portes du réfrigérateur.
- Selon le modèle, le réfrigérateur comporte soit des portes profilées de **Style 1** ou des portes standard de **Style 2**. Consulter le schéma correspondant à votre modèle plus loin dans cette section après "Étapes finales".

**REMARQUE :** On peut acheter un ensemble d'inversion du sens d'ouverture qui comprend une nouvelle insigne de la marque ainsi que des bouchons d'obturation.

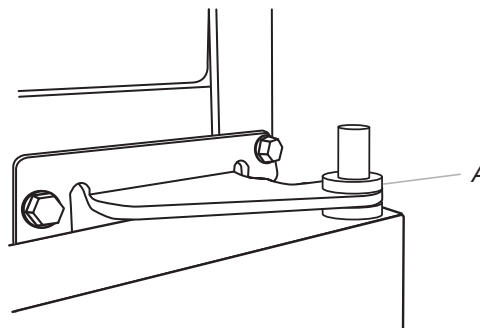
**Outils nécessaires :** Clé à douille à tête hexagonale de  $\frac{5}{16}$ ", tournevis Phillips n° 2, tournevis à lame plate, clé plate de  $\frac{5}{16}$ ", couteau à mastic plat de 2".

## Démontage des portes et charnières



Vis de charnière à tête hexagonale de  $\frac{5}{16}$ "

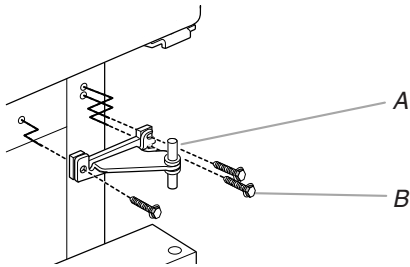
1. Débrancher le réfrigérateur ou déconnecter la source de courant électrique.
  2. Utiliser une clé à douille hexagonale, retirer les trois vis de charnière à tête-hexagonale de  $\frac{5}{16}$ " de la charnière supérieure et les soulever pour retirer la charnière. Voir l'illustration de la charnière supérieure.
- REMARQUE :** Prévoir un support additionnel des portes pendant le déplacement des charnières. La force d'attraction des aimants des portes ne suffit pas à les maintenir en place.
3. Soulever la porte du congélateur pour la séparer de la charnière centrale et la conserver à part.
  4. Retirer la rondelle du sommet de l'axe de la charnière centrale.



A. Rondelle

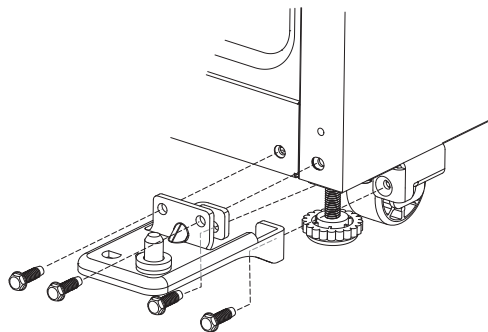


- À l'aide d'une clé à douille à tête hexagonale et d'une clé plate, retirer les trois vis de la charnière centrale puis retirer la charnière. Mettre de côté.



A. Charnière centrale  
B. Vis de charnière à tête hexagonale de 5/16"

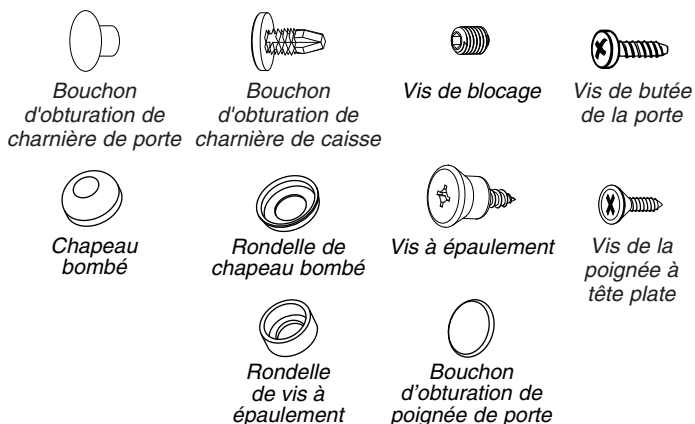
- Retirer la rondelle du bas de l'axe de charnière centrale.
- Soulever la porte du réfrigérateur de la charnière inférieure et mettre de côté.
- À l'aide d'une clé à douille à tête hexagonale, retirer les quatre vis de charnière à tête-hexagonale de 5/16" de la charnière inférieure et dégager la charnière du bas de la porte du réfrigérateur.



### Inversion du sens d'ouverture des portes et d'installation des charnières (facultatif)

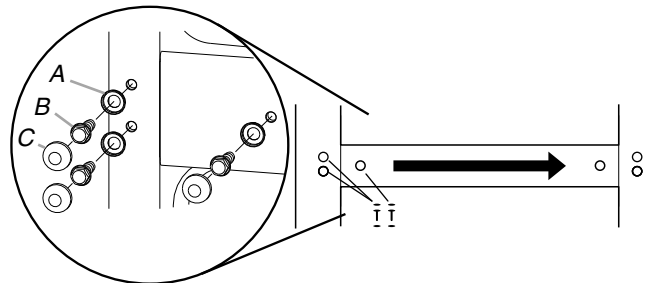
**IMPORTANT :** Si l'on souhaite inverser la position des portes pour pouvoir les ouvrir dans la direction opposée, suivre les étapes suivantes. Si l'on ne souhaite pas inverser le sens d'ouverture des portes, voir "Réinstallation des portes et des charnières".

Voir les illustrations complètes plus loin dans les présentes instructions.



### Inversion du sens d'installation de la charnière centrale

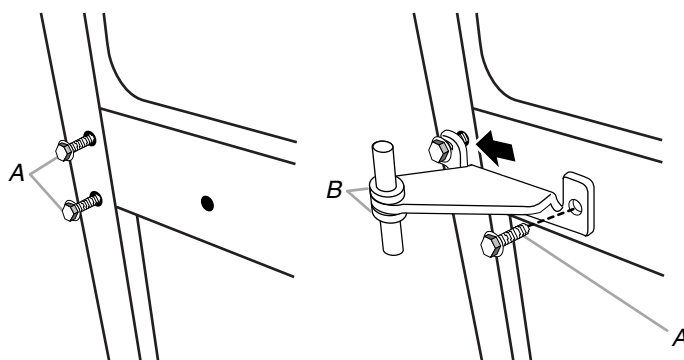
- Retirer les trois chapeaux bombés et les vis du côté de la poignée et les placer dans les trous laissés lors du retrait des vis de charnière.



A. Rondelle des chapeaux bombés    C. Chapeaux bombés  
B. Vis de charnière à tête hexagonale

- À l'aide des trois vis de charnière à tête hexagonale de 5/16" retirées à l'étape 1, insérer deux vis à moitié dans les trous en laissant suffisamment d'espace pour insérer la charnière centrale.
- Une fois la porte du réfrigérateur en place, faire glisser la charnière centrale de la droite sur les vis, insérer la troisième vis et serrer complètement toutes les vis.

**REMARQUE :** S'assurer que les rondelles sont bien installées sur les axes supérieurs et inférieurs de la charnière centrale.



A. Vis de charnière à tête hexagonale de 5/16"  
B. Rondelles

### Inversion du sens d'ouverture de la porte du congélateur

- Enlever les trois bouchons d'obturation du sommet de la caisse et les placer dans les trous de charnière du côté opposé.



A. Bouchons d'obturation de charnière de caisse

- Enlever les poignées de porte. Voir les illustrations spécifiques à chaque modèle plus loin dans les présentes instructions.

### Poignées de porte installées avec des vis à tête plate et des vis de réglage :

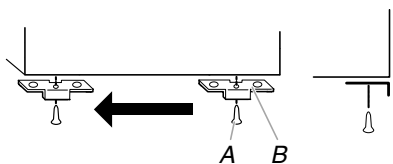
- Retirer les deux vis de poignée à tête plate du bas de la poignée de porte du congélateur.
- Desserrer la vis de blocage fixant le sommet de la poignée à l'aide d'une clé hexagonale de 1/8".
- Tirer sur la poignée pour la dégager de la vis à épaulement. Conserver toutes les pièces ensemble.

### Poignées de porte installées avec des vis à tête plate uniquement :

- Retirer le couvre-vis et les trois vis de poignée à tête plate. Conserver toutes les pièces ensemble.
3. A l'aide de l'outil en plastique (fourni), retirer l'insigne de la marque de la porte du congélateur en soulevant le côté droit et en décollant lentement l'insigne de la porte, dégagant ainsi le trou pour monter la poignée de porte.

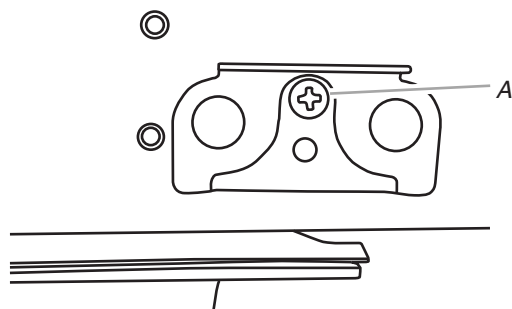
#### REMARQUES :

- Afin d'éviter d'érafler la porte, ne pas utiliser d'objet pointu ou métallique pour arracher l'insigne de la marque de la porte.
  - Frotter une petite quantité de savon liquide à vaisselle sur les résidus d'adhésif avec les doigts. Rincer la porte à l'eau tiède et sécher avec un chiffon doux.
4. En fonction du modèle, retirer la vis à épaulement et sa rondelle situées du côté gauche de la porte et la visser dans le trou situé derrière l'insigne.
5. Retirer la butée de porte du bas de la porte du congélateur.



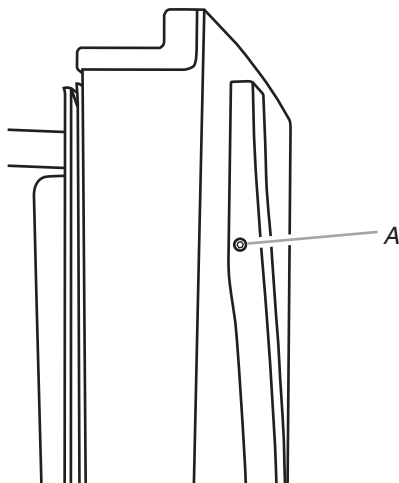
A. Vis de butée de porte  
B. Butée de porte

6. Placer la butée de porte du côté opposé en s'assurant que le trou de la plaque de butée de porte est parfaitement aligné avec le trou destiné à l'axe de charnière centrale.
7. À l'aide de la vis retirée précédemment, fixer la butée de porte au bas de la porte du congélateur.



A. Vis de butée de porte

8. En fonction du modèle, placer la poignée sur la vis à épaulement et pousser la poignée vers la porte jusqu'à ce que la base de montage soit en affleurement avec la porte.

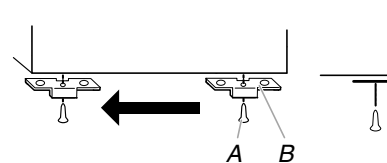


A. Vis de réglage

9. Fixer le bas de la poignée au bas de la porte du congélateur.
10. Serrer toutes les vis. Conserver la porte du congélateur à part jusqu'à la mise en place des charnières et de la porte du réfrigérateur.

### Inversion du sens d'ouverture de la porte du réfrigérateur

1. Retirer la butée de porte du bas de la porte du réfrigérateur.



A. Vis de butée de porte  
B. Butée de porte

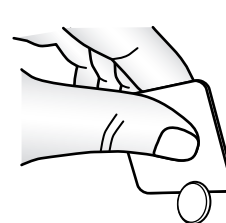
2. Réinstaller la butée de porte du côté opposé de la porte du réfrigérateur en s'assurant que le trou de la plaque de butée de porte est parfaitement aligné avec le trou destiné à l'axe de charnière inférieure.
3. Fixer la butée de porte à la porte.
4. Enlever les poignées de porte. Voir les illustrations spécifiques à chaque modèle plus loin dans les présentes instructions.

### Poignées de porte installées avec des vis à tête plate et des vis de réglage :

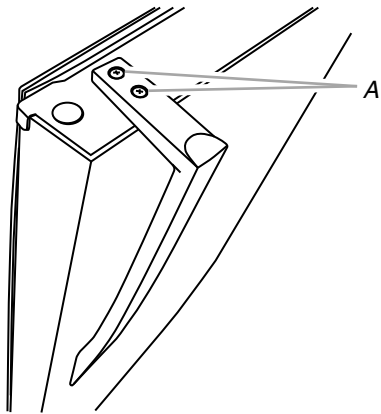
- Retirer les vis du sommet de la poignée de porte du réfrigérateur.
- Retirer la vis de réglage de la partie basse de la poignée.
- Tirer sur la poignée pour la dégager de la vis à épaulement. Conserver toutes les pièces ensemble.

### Poignées de porte installées avec des vis à tête plate uniquement :

- Retirer le couvre-vis et les trois vis de poignée à tête plate. Conserver toutes les pièces ensemble.
5. Retirer le chapeau recouvrant le trou du côté opposé de la porte, là où la poignée de la porte du réfrigérateur doit être installée, et jeter le chapeau.

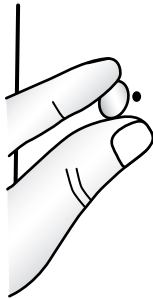


6. En fonction du modèle, retirer la vis à épaulement et sa rondelle situées du côté gauche de la porte et la visser dans le trou situé derrière le chapeau.
7. En fonction du modèle, placer la poignée sur la vis à épaulement et pousser la poignée vers la porte jusqu'à ce que la base de montage soit en affleurement avec la porte.
8. Fixer le sommet de la poignée du réfrigérateur au sommet de la porte du congélateur.



A. Vis de poignée à tête plate

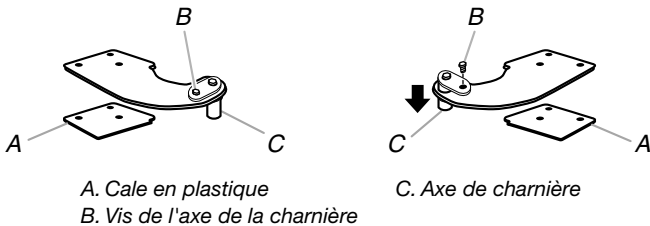
- Recouvrir le trou restant avec le chapeau (fourni).



- Enlever le bouchon d'obturation du trou de charnière de la porte du réfrigérateur. Le transférer du côté opposé.
- Serrer toutes les vis. Mettre la porte du réfrigérateur de côté jusqu'à ce que la charnière inférieure soit installée sur le côté opposé du réfrigérateur.

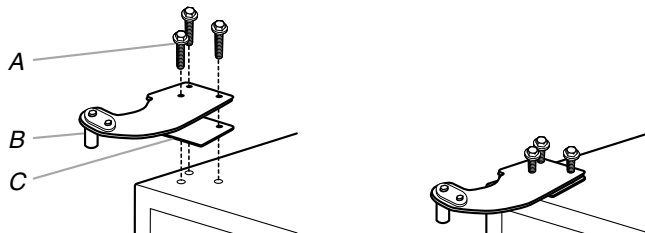
#### Inversion du sens d'installation de la charnière supérieure – Modèles avec porte profilée uniquement

- Ôter la vis fixant l'axe de charnière à la charnière. Retourner la charnière de façon à ce qu'elle soit orientée dans la direction opposée.
- Placer la cale en plastique sous la charnière de façon à ce qu'elle se trouve entre la charnière et la caisse, tout en s'assurant que les trous sont bien alignés.



A. Cale en plastique  
B. Vis de l'axe de la charnière

- Fixer la charnière supérieure sur le côté opposé de la caisse en insérant les vis jusqu'à la moitié seulement, de façon à pouvoir réinstaller et aligner la porte du congélateur plus tard.



A. Vis de charnière à tête hexagonale de  $\frac{5}{16}$ "  
B. Axe de charnière supérieure

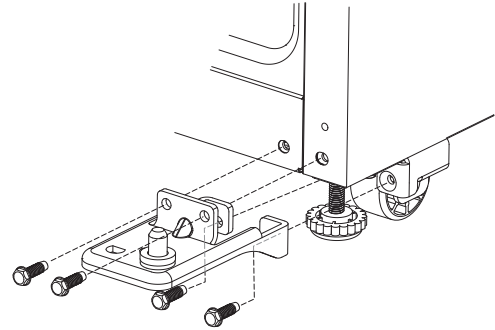
C. Cale en plastique

## Réinstallation des portes et charnières

**IMPORTANT :** Prévoir un support additionnel des portes pendant le déplacement des charnières. La force d'attraction des aimants des portes ne suffit pas à les maintenir en place.

### Installation de la porte du réfrigérateur

- Insérer l'axe de la charnière dans la charnière inférieure de la porte du réfrigérateur et fixer la charnière à la caisse. Ne pas serrer complètement.



A. Charnière inférieure

- Placer la rondelle au sommet de l'axe de la charnière inférieure.
- Placer la porte du réfrigérateur sur l'axe de charnière inférieure.
- Mesurer la distance entre le bas de la porte du réfrigérateur et le plancher. Cette distance doit être d'environ  $1\frac{1}{2}$ " (4,6 cm).

**REMARQUE :** Si nécessaire, desserrer la charnière inférieure sans retirer les vis, ajuster la hauteur de la porte et serrer complètement les vis.

### Installation de la porte du congélateur

- Placer la rondelle sur l'axe supérieur de la charnière centrale.
- Placer la porte du congélateur sur l'axe supérieur de la charnière centrale.
- Insérer l'axe de la charnière supérieure dans le trou percé au sommet de la porte du congélateur. Ne pas complètement serrer les vis.
- Aligner les portes de façon à ce que le bas de la porte du congélateur soit parfaitement aligné avec le sommet de la porte du réfrigérateur. Serrer toutes les vis.

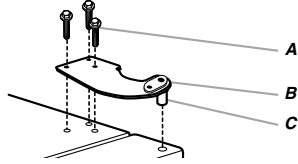
**REMARQUE :** La distance entre les portes doit être d'environ  $\frac{3}{4}$ " (19 mm).

## Étapes finales

- Brancher le réfrigérateur ou reconnecter la source de courant électrique.
- Réinitialiser les commandes. Voir "Utilisation des commandes".
- Réinstaller l'ensemble des pièces amovibles dans les portes et les aliments dans le réfrigérateur.

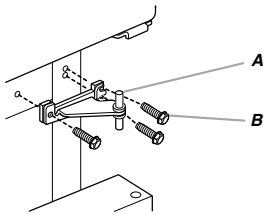
### Démontage et réinstallation de la porte

#### Charnière supérieure



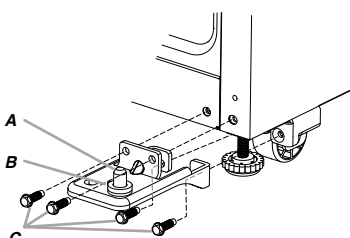
- A. Vis de charnière à tête hexagonale de 5/16"
- B. Charnière supérieure
- C. Axe de charnière

#### Charnière centrale



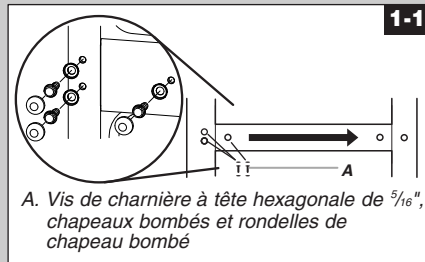
- A. Charnière centrale
- B. Vis de charnière à tête hexagonale de 5/16"

#### Charnière inférieure

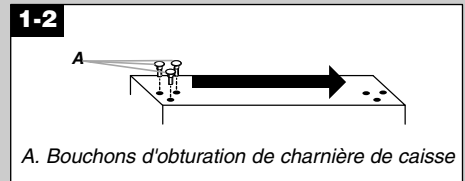


- A. Charnière inférieure
- B. Rondelle
- C. Vis de charnière à tête hexagonale de 5/16"

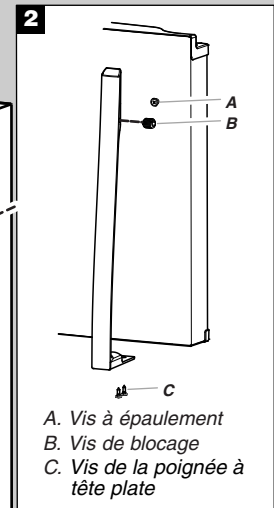
### Inversion du sens d'ouverture de la porte (facultatif)



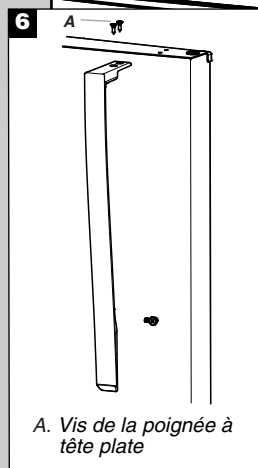
- A. Vis de charnière à tête hexagonale de 5/16", chapeaux bombés et rondelles de chapeau bombé



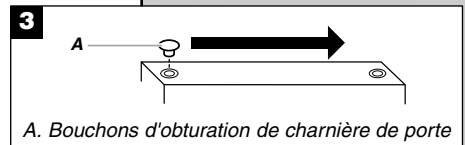
- A. Bouchons d'obturation de charnière de caisse



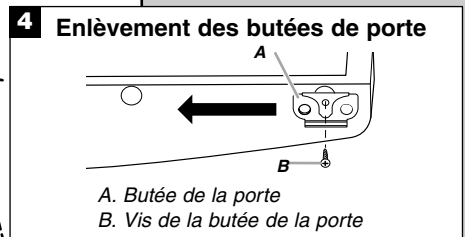
- A. Vis à épaulement
- B. Vis de blocage
- C. Vis de la poignée à tête plate



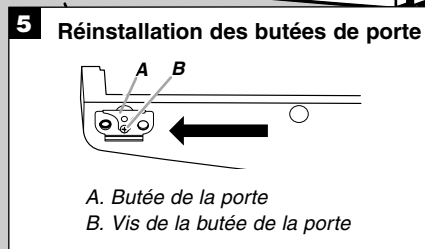
- A. Vis de la poignée à tête plate



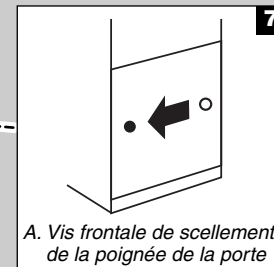
- A. Bouchons d'obturation de charnière de porte



- A. Butée de la porte
- B. Vis de la butée de la porte



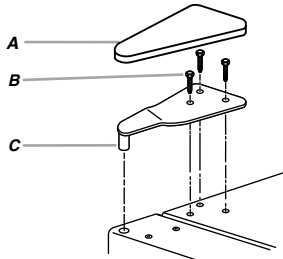
- A. Butée de la porte
- B. Vis de la butée de la porte



- A. Vis frontale de scellement de la poignée de la porte

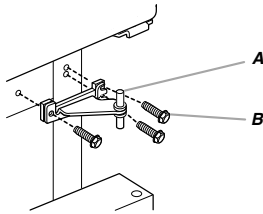
Démontage et réinstallation de la porte

Charnière supérieure



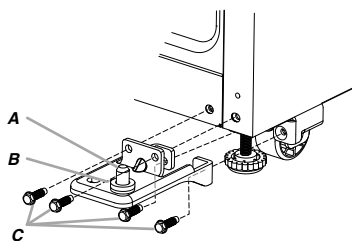
- A. Cache de charnière supérieure
- B. Vis de charnière à tête hexagonale de 5/16"
- C. Charnière supérieure

Charnière centrale



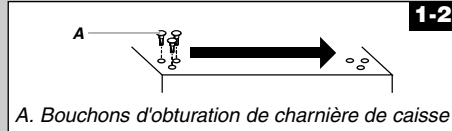
- A. Charnière centrale
- B. Vis de charnière à tête hexagonale de 5/16"

Charnière inférieure

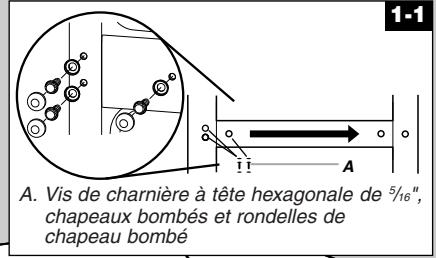


- A. Charnière inférieure
- B. Rondelle
- C. Vis de charnière à tête hexagonale de 5/16"

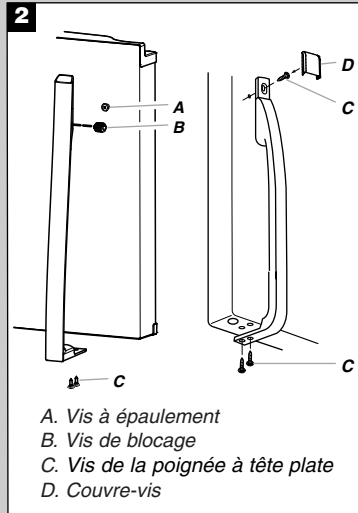
Inversion du sens d'ouverture de la porte (facultatif)



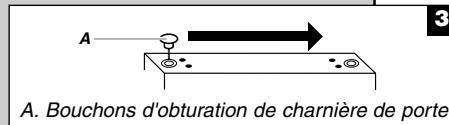
- A. Bouchons d'obturation de charnière de caisse



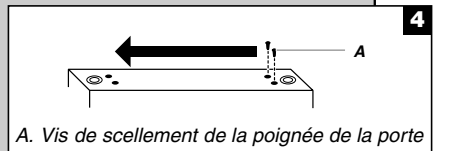
- A. Vis de charnière à tête hexagonale de 5/16", chapeaux bombés et rondelles de chapeau bombé



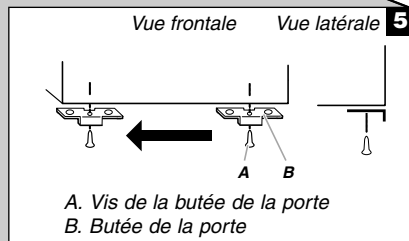
- A. Vis à épaulement
- B. Vis de blocage
- C. Vis de la poignée à tête plate
- D. Couvre-vis



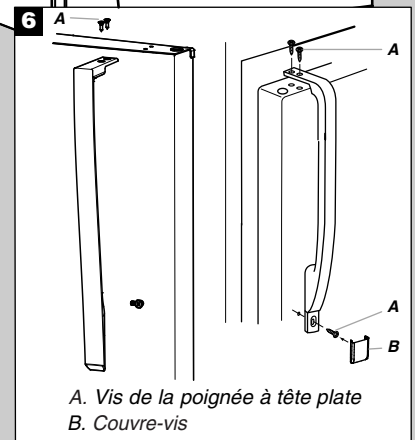
- A. Bouchons d'obturation de charnière de porte



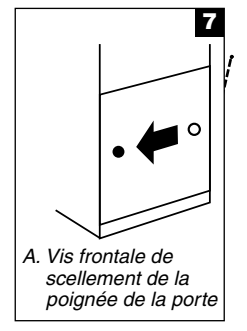
- A. Vis de scellement de la poignée de la porte



- A. Vis de la butée de la porte
- B. Butée de la porte



- A. Vis de la poignée à tête plate
- B. Couvre-vis



- A. Vis frontale de scellement de la poignée de la porte

## Instructions pour l'ensemble d'inversion du sens d'ouverture

Si votre modèle vous a été fourni avec un ensemble d'inversion du sens d'ouverture de la porte, utiliser le gabarit de positionnement de l'insigne de la marque et les instructions suivantes pour installer l'insigne de la marque du côté opposé de la porte du congélateur.

### Pièces fournies :

Outil de retrait de l'insigne de la marque

Gabarit de l'insigne de la marque (sur la dernière page des instructions d'utilisation)

Chapeau de trou de poignée de porte

### Outillage nécessaire :

Ciseaux

Ruban adhésif de masquage

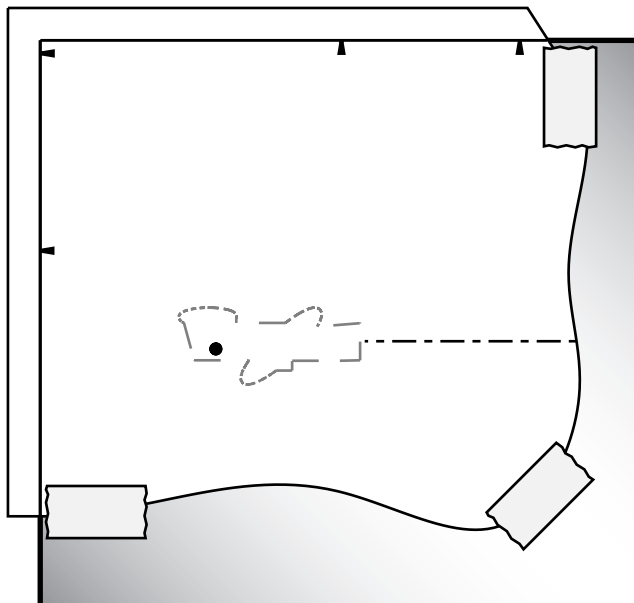
### Porte du congélateur

1. A l'aide de l'outil de retrait (fourni), retirer l'insigne de la marque de la porte du congélateur en soulevant le côté droit et en décollant l'insigne de la porte, de droite à gauche.

**REMARQUE :** Afin d'éviter d'érafler la porte, ne pas utiliser d'objet pointu ou métallique pour arracher l'insigne de la marque de la porte.

2. Frotter une petite quantité de savon liquide à vaisselle sur les résidus d'adhésif avec les doigts. Rincer la porte à l'eau tiède et sécher avec un chiffon doux.
3. Couper le gabarit le long des pointillés qui correspondent à la forme de l'insigne de la marque.
4. Aligner les bords du gabarit avec les parties latérale et supérieure de la porte du congélateur et fixer le gabarit sur la porte à l'aide de ruban adhésif.

**REMARQUE :** Une fois le gabarit correctement aligné, le trou dans la porte, à l'emplacement de la poignée, se trouvera dans l'ouverture découpée du gabarit, tel qu'illustré.



5. En utilisant cette ouverture comme guide, appuyer l'insigne de la marque sur la porte du congélateur, en veillant à ce que le trou soit entièrement recouvert.
6. Retirer lentement le gabarit.

## Ajustement des portes

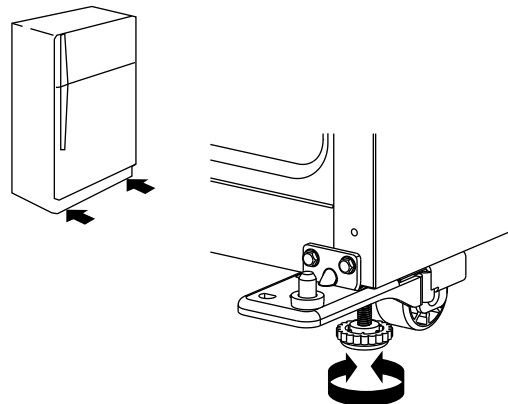
**IMPORTANT :** Votre réfrigérateur est en conformité avec les directives de la loi American Disabilities Act (ADA).

### Fermeture des portes

Votre réfrigérateur comporte deux roulettes réglables, l'une à droite et l'autre à gauche. Si votre réfrigérateur semble instable ou si vous désirez que les portes se ferment plus facilement, régler l'inclinaison du réfrigérateur en suivant les instructions ci-dessous.

1. Tourner le pied de nivellement pour soulever ou abaisser tel côté du réfrigérateur. Plusieurs tours peuvent être nécessaires pour régler l'inclinaison du réfrigérateur.
  - Pour soulever le côté, tourner le pied de nivellement vers la droite.
  - Pour abaisser le côté, tourner le pied de nivellement vers la gauche.

**REMARQUE :** Si une autre personne pousse le haut du réfrigérateur, le poids devient moins lourd sur les vis de nivellement et les roulettes, ce qui rend plus facile l'ajustement des vis.



2. Ouvrir à nouveau les deux portes et vérifier que leur fermeture est aussi aisée que vous le souhaitez. Si ce n'est pas le cas, incliner le réfrigérateur un peu plus vers l'arrière en tournant les deux pieds de nivellement vers la gauche. Plusieurs tours seront peut-être nécessaires.

**REMARQUE :** Pour que le réfrigérateur soit d'aplomb, il faut appliquer le même nombre de tours aux deux pieds de nivellement.

3. À l'aide d'un niveau, s'assurer que le réfrigérateur est encore d'aplomb dans le sens transversal. Le réajuster au besoin.

### Alignement des portes

Si l'espace entre les portes semble inégal, on peut faire le réglage en suivant les instructions ci-dessous :

1. En fonction de votre modèle, retirer le couvre-charnière de la charnière supérieure.
2. Desserrer les vis de la charnière supérieure à l'aide d'une douille de  $\frac{5}{16}$ " ou d'une clé à molette.
3. Demander à une personne de tenir la porte en place ou placer une cale entre les portes pendant que l'on serre les vis de la charnière supérieure.
4. Réinstaller le couvre-charnière supérieur s'il a été retiré à l'étape 1.

# UTILISATION DU RÉFRIGÉRATEUR

## Utilisation des commandes

Votre réfrigérateur comporte deux commandes affectant la température. La commande de température se trouve sur la partie avant supérieure du compartiment du réfrigérateur, et la commande de circulation d'air se trouve sur la paroi arrière du compartiment du congélateur.

### IMPORTANT :

- Le réglage recommandé doit être correct pour une utilisation domestique normale du réfrigérateur. Les réglages sont faits correctement lorsque le lait ou le jus sont aussi froids que vous l'aimez et lorsque la crème glacée est ferme.
- Attendre 24 heures pour que le réfrigérateur refroidisse complètement avant d'y placer des aliments. Si on ajoute des aliments avant que le réfrigérateur ne soit complètement refroidi, les aliments risquent de s'abîmer.

**REMARQUE :** Le fait d'ajuster les commandes de température du réfrigérateur et du congélateur à un réglage plus froid que le réglage recommandé ne refroidira pas les compartiments plus rapidement.

- Si la température est trop tiède ou trop froide dans le réfrigérateur ou le congélateur, vérifier d'abord les événements pour s'assurer qu'ils ne sont pas bloqués, avant de régler les commandes.

### Commandes de température

Pour votre commodité, les commandes de température sont pré-réglées à l'usine. Lors de l'installation initiale du réfrigérateur, s'assurer que les commandes sont encore pré-réglées au point de réglage recommandé tel qu'illustré.

#### Réglage recommandé



### Refroidissement Marche/Arrêt

- Pour désactiver le refroidissement, appuyer pendant 4 secondes sur le bouton de réglage jusqu'à ce que tous les témoins lumineux s'allument pendant 1 seconde. Pour réactiver le refroidissement, appuyer de nouveau sur le bouton de réglage pendant 4 secondes.

**REMARQUE :** Aucun compartiment ne se refroidira lorsque la commande est réglée à OFF (arrêt).



### Réglage des commandes

S'il est nécessaire d'ajuster la température dans le compartiment de réfrigération ou de congélation, utiliser les réglages indiqués dans le tableau ci-dessous comme guide.

**REMARQUE :** Ne pas ajuster les commandes de plus d'un cran à la fois, sauf lors de la mise en marche du réfrigérateur. Attendre 24 heures entre les réglages pour que la température puisse se stabiliser.

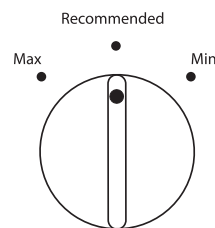
- Appuyer sur le bouton SETTING (réglage) pour régler la température parmi les 4 témoins DEL indiquant le réglage de température. En allant de gauche à droite, la DEL en première position correspond au réglage le moins froid. À mesure que l'on progresse vers la droite, les DEL correspondent à des réglages de plus en plus froids.

CONDITION/RAISON :	AJUSTEMENT :
RÉFRIGÉRATEUR trop tiède	Commande de TEMPÉRATURE à un niveau plus élevé
CONGÉLATEUR trop tiède/ trop peu de glaçons	Commande de CIRCULATION D'AIR ou de TEMPÉRATURE à un niveau plus élevé
RÉFRIGÉRATEUR trop froid	Commande de TEMPÉRATURE à un niveau plus bas
CONGÉLATEUR trop froid	Commande de CIRCULATION D'AIR ou de TEMPÉRATURE à un niveau plus bas

### Commande de circulation d'air

La commande de circulation d'air ajuste la quantité d'air circulant entre les compartiments du congélateur et du réfrigérateur.

Lorsque le réfrigérateur est branché pour la première fois, placer la commande de circulation d'air au réglage recommandé.



### Réglage de la commande de circulation d'air

Si une augmentation temporaire de la circulation d'air froid dans un compartiment particulier est souhaitée, régler la commande.

- Max (maximum) - Augmente la circulation d'air dans le congélateur.
- Min (minimum) - Augmente la circulation d'air dans le réfrigérateur.

**IMPORTANT :** Une fois la performance obtenue, replacer la commande de circulation d'air au réglage recommandé afin que le réfrigérateur continue de fonctionner avec le maximum d'efficacité.

CONDITION/RAISON :	RÉGLAGE :
Usage intense de glaçons	Max (maximum)
Température de la pièce élevée	Max (maximum) - Pour maintenir le taux de production de glaçons
Grande quantité d'aliments	Min (minimum) - Pour refroidir rapidement aliments et boissons

## CARACTÉRISTIQUES DU RÉFRIGÉRATEUR

Votre modèle peut comporter l'ensemble de ces caractéristiques ou certaines d'entre elles.

### Importants renseignements à savoir au sujet des tablettes et des couvercles en verre :

Ne pas nettoyer les tablettes ou couvercles en verre avec de l'eau tiède quand ils sont froids. Les tablettes et les couvercles peuvent se briser s'ils sont exposés à des changements soudains de température ou à un impact tel que coup brusque. Le verre trempé est conçu pour éclater en d'innombrables pièces minuscules. Ceci est normal. Les tablettes et les couvercles en verre sont lourds. Les saisir à deux mains lors de leur dépose afin d'éviter de les faire tomber.

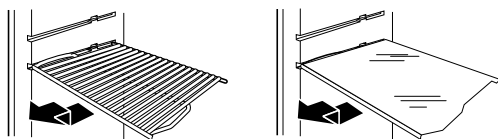
### Tablettes du réfrigérateur

Les tablettes du réfrigérateur sont réglables pour s'adapter aux besoins de rangement de l'utilisateur.

Afin de pouvoir trouver plus facilement l'article que l'on cherche, on peut remiser ensemble des aliments semblables dans le réfrigérateur et régler les tablettes pour les adapter aux différentes tailles d'articles. Ceci réduira également la durée d'ouverture de la porte du réfrigérateur et permettra d'économiser de l'énergie.

#### Retrait et réinstallation de la tablette :

1. Retirer les articles de la tablette.
2. Retirer la tablette en la faisant glisser tout droit jusqu'à la butée.
3. Selon le modèle, soulever l'arrière ou l'avant de la tablette et la retirer au-delà de la butée. Retirer complètement la tablette en la faisant glisser entièrement hors des supports.
4. Réinstaller la tablette en réinsérant de nouveau l'arrière de la tablette dans la rainure de la paroi de la caisse.
5. Guider l'avant de la tablette dans la rainure de tablette. Veiller à insérer complètement la tablette.



## Tiroir pour spécialités alimentaires

La conception du tiroir pour spécialités alimentaires permet d'en changer facilement la position.

### Tiroir pour spécialités alimentaires

#### Repositionnement du tiroir pour spécialités alimentaires :

1. Retirer le tiroir pour spécialités alimentaires.
2. Retirer le couvercle et le placer entre les croisillons désirés.
3. Fixer les pattes de fixation arrière sur la tablette.
4. Réinstaller le tiroir pour spécialités alimentaires.

#### Retrait et réinstallation du tiroir pour spécialités alimentaires :

1. Retirer le tiroir pour spécialités alimentaires en le faisant glisser vers l'extérieur jusqu'à la butée.
2. Soulever l'avant du tiroir pour spécialités alimentaires d'une main tout en soutenant la partie inférieure du tiroir de l'autre main. Faire glisser le tiroir complètement vers l'extérieur.
3. Réinstaller le tiroir en le réinsérant complètement au-delà de la butée.

### Couvercle du tiroir pour spécialités alimentaires

#### Retrait et réinstallation du tiroir pour spécialités alimentaires :

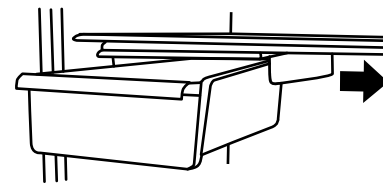
##### Style 1 - Clayettes

1. Retirer le tiroir pour spécialités alimentaires.
2. Repousser le couvercle vers l'arrière pour libérer les pattes de fixation arrière de la tablette. Soulever l'avant du couvercle et le tirer vers l'avant.
3. Réinstaller le couvercle du tiroir pour spécialités alimentaires en plaçant les encoches et les attaches du couvercle sur les croisillons centraux et arrière de la tablette.
4. Réinstaller le tiroir pour spécialités alimentaires.

##### Style 2 - Tablettes en verre

1. Retirer le tiroir pour spécialités alimentaires.
2. Retirer les articles de la tablette.
3. Retirer la tablette en la faisant glisser tout droit jusqu'à la butée.
4. Faire glisser le couvercle du tiroir pour spécialités alimentaires d'un côté jusqu'à ce qu'il se dégage.
5. Insérer le couvercle dans les rainures de tablette.
6. Repositionner la tablette dans le réfrigérateur puis réinstaller le tiroir pour spécialités alimentaires.

**REMARQUE :** Le tiroir à spécialités alimentaires peut être déplacé latéralement sur la tablette pour pouvoir en changer facilement la position.





## Guide d'entreposage des viandes

La plupart des viandes peuvent être conservées dans leur emballage original tant que cet emballage est hermétique et à l'épreuve de l'humidité. Emballer de nouveau si nécessaire. Voir le tableau suivant pour les périodes de conservation. Si la viande doit être conservée pour une période plus longue que la durée donnée, faire congeler la viande.

Poissons ou crustacés frais..... consommer le jour de l'achat  
Poulet, bœuf haché, abats comestibles (foie)..... 1 à 2 jours  
Charcuterie, steaks/rôti..... 3 à 5 jours  
Viandes salaisonées..... 7 à 10 jours

Restes - Couvrir les restes avec de la pellicule en plastique ou du papier d'aluminium. Il est convenable aussi d'utiliser des contenants en plastique avec couvercle hermétique.

## Bac à légumes

### Bacs à légumes

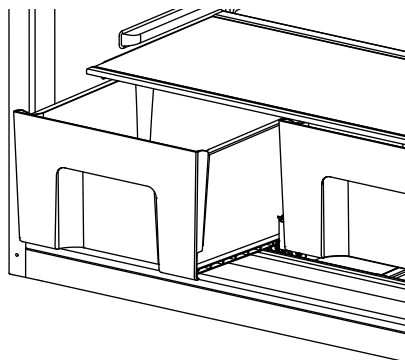
#### Retrait et réinstallation du bac à légumes :

1. Extraire le bac à légumes en le faisant glisser vers l'extérieur jusqu'à la butée. Soulever le devant et faire glisser le bac vers l'extérieur pour le retirer complètement.
2. Réinstaller le bac en le faisant glisser complètement à sa position au-delà de la butée.

### Couvercle du bac à légumes

#### Dépose et réinstallation du couvercle du bac à légumes :

1. Retirer le/les bac(s) à légumes.
2. Tirer sur le couvercle en verre tout droit vers l'extérieur.
3. Réinstaller le couvercle en verre en le réinsérant.



### Commande d'humidité

On peut contrôler le degré d'humidité dans le bac à légumes étanche. La commande peut être ajustée à n'importe quel réglage entre LOW (faible) et HIGH (élevée).

En position LOW (faible) (en position ouverte), le réglage laisse échapper l'air humide du bac à légumes pour mieux conserver les fruits et légumes à pelures.

- Fruits : Laver, laisser sécher et garder au réfrigérateur dans un sac en plastique ou dans le bac à légumes. Ne pas laver ni équeuter les baies avant le moment de leur utilisation. Répartir et garder les baies dans leur contenant original dans le bac à légumes ou les conserver sur une tablette du réfrigérateur dans un sac en papier fermé sans être serré.
- Légumes à pelure : Placer dans un sac ou un contenant en plastique et ranger dans le bac à légumes.

En position HIGH (élevé) (en position fermée), le réglage permet de retenir l'humidité à l'intérieur du bac à légumes pour mieux conserver les légumes à feuilles frais.

- Légumes à feuilles : Laver à l'eau froide, égoutter et couper ou éliminer les sections endommagées et décolorées. Placer dans un sac ou un contenant en plastique et ranger dans le bac à légumes.

## CARACTÉRISTIQUES DU CONGÉLATEUR

Votre modèle peut comporter toutes les caractéristiques suivantes ou seulement certaines d'entre elles.

### Importants renseignements à savoir au sujet des tablettes et des couvercles en verre :

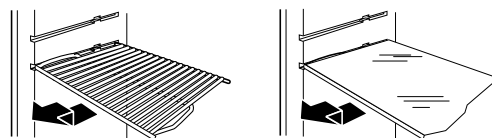
Ne pas nettoyer les tablettes ou couvercles en verre avec de l'eau tiède quand ils sont froids. Les tablettes et les couvercles peuvent se briser s'ils sont exposés à des changements soudains de température ou à un impact tel que coup brusque. Le verre trempé est conçu pour éclater en d'innombrables pièces minuscules. Ceci est normal. Les tablettes et les couvercles en verre sont lourds. Les saisir à deux mains lors de leur dépose afin d'éviter de les faire tomber.

### Tablette du congélateur

Selon le modèle, la tablette peut être soit métallique soit en verre.

#### Retrait et réinstallation de la tablette :

1. Retirer les articles de la tablette.
2. Retirer la tablette en la faisant glisser tout droit jusqu'à la butée.
3. Selon le modèle, soulever l'arrière ou l'avant de la tablette et la retirer au-delà de la butée. Retirer complètement la tablette en la faisant glisser entièrement hors des supports.
4. Réinstaller la tablette en réinsérant de nouveau l'arrière de la tablette dans la rainure de la paroi de la caisse.
5. Guider l'avant de la tablette dans la rainure de tablette. Veiller à insérer complètement la tablette.



### Guide de stockage des aliments surgelés

Les périodes de conservation varient selon la qualité et le type d'aliment, le type d'emballage et de pellicule utilisés (doivent être hermétiques et résistants à l'humidité) et la température de remisage. Bien fermer le sachet ou le récipient pour empêcher le transfert de goût et d'odeur dans le produit. Les cristaux de glace à l'intérieur d'un emballage scellé sont normaux. La présence de cristaux signifie simplement que l'humidité dans les aliments et l'air à l'intérieur de l'emballage se sont condensés.

Ne pas placer plus d'aliments non congelés dans le congélateur que la quantité qui congèlera dans l'intervalle de 24 heures (pas plus de 2 à 3 lb d'aliments par pied cube d'espace [907 à 1 350 g par L] dans le congélateur). Laisser assez d'espace dans le congélateur pour permettre la circulation d'air entre les emballages. S'assurer que la porte du congélateur est bien fermée.

**REMARQUE :** Pour plus de renseignements sur la préparation des aliments pour la congélation, consulter un guide pour congélateur ou un livre de recettes fiable.

# CARACTÉRISTIQUES DE LA PORTE

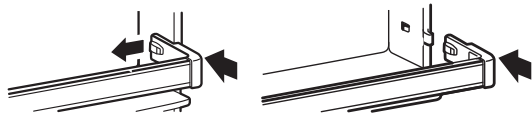
Votre modèle peut comporter l'ensemble de ces caractéristiques ou certaines d'entre elles.

## Tringles de porte

Les tringles de porte peuvent être enlevées pour faciliter le nettoyage.

### Pour retirer et réinstaller les tringles :

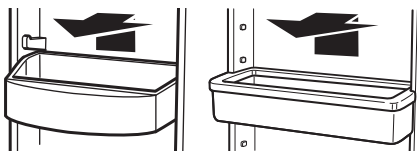
1. Selon votre modèle, retirer les tringles en poussant légèrement sur le devant de la bride tout en tirant sur la languette intérieure. Répéter ces étapes pour l'autre extrémité.
2. Réinstaller les tringles en alignant les extrémités des brides avec les boutons sur les côtés de l'intérieur de la porte. Enclencher fermement les brides et l'ensemble sur les tenons au dessus de l'étagère. Voir l'illustration.



## Balconnets de porte

### Retrait et réinstallation des balconnets :

1. Retirer le bac en le soulevant et en le tirant tout droit.
2. Réinstaller le bac en le faisant glisser au-dessus du support désiré et en l'enfonçant jusqu'à la butée.

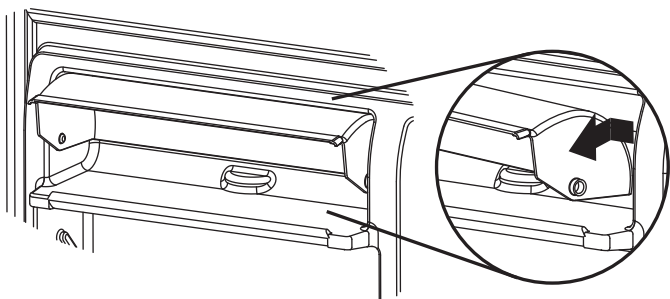


## Compartiment utilitaire

Le compartiment utilitaire peut être enlevé pour faciliter le nettoyage.

### Retrait et réinstallation du compartiment utilitaire :

1. Retirer le compartiment utilitaire en pressant l'un des côtés tout en soulevant le compartiment utilitaire et en le tirant tout droit pour le dégager.
2. Réinstaller le compartiment utilitaire en plaçant un côté dans le mécanisme de verrouillage et en faisant coulisser l'autre côté en place jusqu'à la butée.



## Machine à glaçons

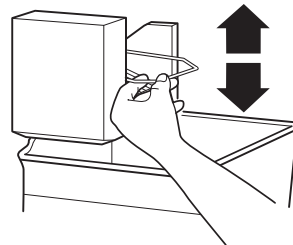
**IMPORTANT :** Pour les modèles comportant un filtre à eau, après avoir raccordé le réfrigérateur à l'alimentation en eau ou avoir remplacé le filtre à eau, remplir et jeter trois récipients entiers de glaçons afin que le filtre à eau soit prêt pour utilisation.

### Mise en marche/arrêt de la machine à glaçons

Pour mettre la machine à glaçons en marche, il suffit d'abaisser le bras de commande métallique.

Pour arrêter manuellement la machine à glaçons, soulever le bras de commande métallique à la position Off (élevée) et attendre le clic.

**REMARQUE :** Votre machine à glaçons a un arrêt automatique. Au fur et à mesure de la fabrication de la glace, les glaçons remplissent le bac d'entreposage de glaçons. Les glaçons soulèvent le bras de commande métallique à la position Off (élevée). Ne pas forcer le commutateur du bras métallique vers le haut ou vers le bas.



### Bac à glaçons

1. Nettoyer le bac à glaçons au savon doux et à l'eau tiède.
2. Insérer le bac à glaçons sous la machine à glaçons et le pousser aussi loin que possible.
3. Abaisser le levier de commande de la machine à glaçons et le placer en position de marche "on".

**REMARQUE :** Il faut généralement attendre environ 24 heures pour que la machine à glaçons commence à produire des glaçons. Les glaçons auront peut-être un goût désagréable. Le cas échéant, jeter les trois premiers lots de glaçons produits. Les glaçons suivants devraient avoir un goût normal.

### Taux de production des glaçons

- La machine à glaçons devrait produire environ 8 à 12 lots de glaçons au cours d'une période de 24 heures. Attendre 3 jours pour que le bac à glaçons se remplisse entièrement.
- Pour augmenter la production de glaçons, diminuer la température du congélateur et du réfrigérateur. Voir "Utilisation de la/des commande(s)". Attendre 24 heures entre les ajustements.

### À noter

- La qualité de vos glaçons dépend de la qualité de l'eau fournie à votre machine à glaçons. Éviter de brancher la machine à glaçons à un approvisionnement d'eau adoucie. Les produits chimiques adoucisseurs d'eau (tels que le sel) peuvent endommager des pièces de la machine à glaçons et causer une piètre qualité des glaçons. Si une alimentation d'eau adoucie ne peut pas être évitée, s'assurer que l'adoucisseur d'eau fonctionne bien et qu'il est bien entretenu.

- Ne pas utiliser un objet pointu pour briser les glaçons dans le bac. Cette action peut endommager le bac à glaçons et le mécanisme du distributeur.
- Ne pas garder quoi que ce soit sur le dessus ou dans la machine à glaçons ou dans le bac à glaçons.

## ENTRETIEN DU RÉFRIGÉRATEUR

### Nettoyage

#### AVERTISSEMENT



#### Risque d'explosion

Utiliser un produit de nettoyage ininflammable.

Le non-respect de cette instruction peut causer un décès, une explosion ou un incendie.

Les compartiments de réfrigération et de congélation se dégivrent automatiquement. Toutefois, nettoyer les deux compartiments environ une fois par mois pour éviter une accumulation d'odeurs. Essuyer les renversements immédiatement.

#### IMPORTANT :

- Comme l'air circule entre les deux compartiments, toutes les odeurs formées dans un compartiment seront transférées à l'autre. Vous devez nettoyer à fond les deux compartiments pour éliminer les odeurs. Pour éviter le transfert d'odeurs et l'assèchement des aliments, envelopper ou recouvrir hermétiquement les aliments.
- Pour les modèles en acier inoxydable, l'acier inoxydable est résistant à la corrosion, et non pas anticorrosion. Pour éviter la corrosion de l'acier inoxydable, garder les surfaces propres à l'aide des instructions de nettoyage suivantes.

#### Nettoyage de votre réfrigérateur :

**REMARQUE :** Ne pas utiliser des nettoyants abrasifs ou puissants tels que les nettoyants à vitre en atomiseurs, nettoyants à récurer, liquides inflammables, acide chlorhydrique, cires nettoyantes, détergents concentrés, agents de blanchiment ou nettoyants contenant du pétrole sur les surfaces extérieures (portes et caisse), les pièces en plastique, les garnitures intérieures et portes ou les joints de portes. Ne pas utiliser d'essuie-tout, tampons à récurer ou autres outils de nettoyage abrasifs.

1. Débrancher le réfrigérateur ou déconnecter la source de courant électrique.
2. Laver à la main, rincer et sécher les pièces amovibles et les surfaces internes à fond. Utiliser une éponge propre ou un linge doux et un détergent doux dans de l'eau tiède.
3. Nettoyer les surfaces extérieures.

**Métal peint :** Laver les surfaces extérieures peintes avec une éponge propre ou un linge doux et un détergent doux dans de l'eau tiède. Rincer les surfaces avec de l'eau propre et tiède et sécher immédiatement pour éviter les éventuelles taches laissées par l'eau.

**Acier inoxydable :** Laver les surfaces en acier inoxydable avec une éponge propre ou un linge doux et un détergent doux dans de l'eau tiède. Rincer les surfaces avec de l'eau propre et tiède et sécher immédiatement pour éviter les éventuelles taches laissées par l'eau.

**REMARQUE :** Lors du nettoyage de l'acier inoxydable, essuyer toujours dans le sens du grain pour éviter les éraflures.

4. Le condenseur n'a pas besoin d'être nettoyé souvent dans des conditions de fonctionnement normales. Si l'environnement est particulièrement gras, poussiéreux, ou s'il y a des animaux domestiques dans la maison, le condenseur devrait être nettoyé tous les deux ou trois mois pour assurer une efficacité maximum.  
Si vous avez besoin de nettoyer le condenseur :
  - Retirer la grille de la base.
  - Utiliser un aspirateur à brosse douce pour nettoyer la grille, les endroits ouverts derrière la grille et la surface à l'avant du condenseur.
  - Replacer la grille de la base lorsqu'on a terminé.
5. Brancher le réfrigérateur ou reconnecter la source de courant électrique.

### Remplacement des ampoules d'éclairage

**REMARQUE :** Applique pour certains modèles.

**IMPORTANT :** Les ampoules des compartiments de réfrigération et de congélation du nouveau réfrigérateur sont issues de la technologie DEL. Si les lampes ne s'allument pas lorsqu'on ouvre la porte du réfrigérateur et/ou congélateur, composer les numéros fournis pour assistance ou dépannage. Consulter la garantie pour connaître les numéros de téléphone.

#### Éclairage du compartiment de réfrigération

L'ampoule du réfrigérateur se trouve derrière la commande.

1. Débrancher le réfrigérateur ou déconnecter la source de courant électrique.
2. Retirer l'ampoule et la remplacer par une ampoule de même taille et forme.
  - Pour remplacer l'ampoule par une ampoule DEL, commander la pièce numéro W10565137 (3.6 watts).  
**REMARQUE :** Certaines ampoules DEL de rechange ne sont pas recommandées pour des environnements humides/mouillés. Les compartiments de réfrigération et de congélation sont considérés comme des environnements humides/mouillés. Si l'on utilise une marque d'ampoules DEL différente de celle des ampoules recommandées, lire et suivre toutes les instructions de l'emballage des ampoules DEL avant de procéder à l'installation.
  - Si l'on utilise une ampoule à incandescence pour remplacer l'ampoule DEL, utiliser uniquement des ampoules à incandescence pour les appareils électroménagers de 60 watts maximum.
3. Brancher le réfrigérateur ou reconnecter la source de courant électrique.

## Entretien avant les vacances ou lors d'un déménagement

### Vacances

#### Si l'utilisateur choisit de laisser le réfrigérateur en fonctionnement pendant son absence :

1. Consommer tous les aliments périssables et congeler les autres.
2. Si le réfrigérateur comporte une machine à glaçons automatique et qu'il est raccordé à la source d'approvisionnement en eau du domicile, fermer la source d'approvisionnement en eau du réfrigérateur. Des dommages matériels peuvent subvenir si l'alimentation en eau n'est pas coupée.
3. Si la machine à glaçons est automatique, éteindre la machine à glaçons.

**REMARQUE :** Selon le modèle, soulever le bras de commande en broche à la position Off (arrêt) (position élevée).

4. Vider le bac à glaçons.

#### Si l'utilisateur choisit d'arrêter le fonctionnement du réfrigérateur avant son départ :

1. Enlever tous les aliments du réfrigérateur.
2. Si le réfrigérateur a une machine à glaçons automatique :
  - Fermer l'approvisionnement d'eau de la machine à glaçons au moins une journée à l'avance.
  - Lorsque la dernière quantité de glaçons est déposée, soulever le bras de commande en broche à la position OFF (arrêt) (vers le haut).
3. Éteindre la/les commande(s) de température. Voir "Utilisation de la/des commande(s)".
4. Nettoyer le réfrigérateur, l'essuyer et bien le sécher.
5. À l'aide d'un ruban adhésif, placer des blocs de caoutchouc ou de bois dans la partie supérieure de chaque porte de façon à ce qu'elles soient suffisamment ouvertes pour permettre l'entrée d'air à l'intérieur, afin d'éviter l'accumulation d'odeurs ou de moisissure.

### Déménagement

Lorsque l'on déménage le réfrigérateur dans une nouvelle habitation, suivre ces étapes pour préparer le déménagement.

1. Si le réfrigérateur a une machine à glaçons automatique :
  - Fermer l'approvisionnement d'eau de la machine à glaçons au moins une journée à l'avance.
  - Débrancher la canalisation d'eau de l'arrière du réfrigérateur.
  - Lorsque la dernière quantité de glaçons est déposée, soulever le bras de commande en broche à la position Off (élevée).
2. Retirer tous les aliments du réfrigérateur et placer tous les aliments congelés dans de la neige carbonique.
3. Vider le bac à glaçons.
4. Éteindre les commandes de température. Voir "Utilisation de des commandes".
5. Débrancher le réfrigérateur.
6. Nettoyer, essuyer et sécher à fond.
7. Retirer toutes les pièces amovibles, bien les envelopper et les attacher ensemble à l'aide de ruban adhésif pour qu'elles ne bougent pas ni ne s'entrechoquent durant le déménagement.
8. Selon le modèle, soulever le devant du réfrigérateur pour qu'il roule plus facilement OU soulever les vis de nivellement pour qu'elles n'égratignent pas le plancher. Voir "Ajustement de des portes" ou "Fermeture et alignement de la porte".
9. Fermer les portes à l'aide de ruban adhésif et fixer le cordon d'alimentation électrique au dos du réfrigérateur à l'aide de ruban adhésif.

Lorsque vous arriverez à votre nouvelle habitation, remettez tout en place et consultez la section "Instructions d'installation" pour les instructions de préparation. D'autre part, si votre réfrigérateur a une machine à glaçons automatique, rappelez-vous de raccorder l'approvisionnement d'eau au réfrigérateur.

# DÉPANNAGE

Essayer d'abord les solutions suggérées ici. Pour obtenir de l'aide ou des conseils qui permettront peut-être d'éviter une intervention de dépannage, consulter la page de garantie de ce manuel et scanner le code avec votre appareil intelligent, ou consulter le site internet [www.whirlpool.ca](http://www.whirlpool.ca).

Vous pouvez adresser tous commentaires ou questions par courrier à l'adresse ci-dessous :

Aux États-Unis :

Whirlpool Brand Home Appliances  
Customer eXperience Center  
553 Benson Road  
Benton Harbor, MI 49022-2692

Au Canada :

Whirlpool Brand Home Appliances  
Customer eXperience Centre  
200 - 6750 Century Ave.  
Mississauga ON L5N 0B7

Dans votre correspondance, veuillez indiquer un numéro de téléphone où l'on peut vous joindre dans la journée.

## Fonctionnement du réfrigérateur

### Le réfrigérateur ne fonctionne pas

#### **AVERTISSEMENT**



#### Risque de choc électrique

**Brancher sur une prise à 3 alvéoles reliée à la terre.**

**Ne pas enlever la broche de liaison à la terre.**

**Ne pas utiliser un adaptateur.**

**Ne pas utiliser un câble de rallonge.**

**Le non-respect de ces instructions peut causer un décès, un incendie ou un choc électrique.**

- **Le cordon d'alimentation électrique est-il débranché?** Brancher sur une prise à 3 alvéoles reliée à la terre.
- **La prise électrique fonctionne-t-elle?** Brancher une lampe pour voir si la prise fonctionne.
- **Un fusible est-il grillé ou un disjoncteur s'est-il ouvert?** Remplacer le fusible ou réenclencher le disjoncteur. Si le problème persiste, appeler un électricien.
- **Les commandes sont-elles en marche?** S'assurer que la commande du réfrigérateur est bien en marche. Voir "Utilisation de des commandes".
- **S'agit-il d'une nouvelle installation?** Accorder 24 heures après l'installation pour que le réfrigérateur se refroidisse complètement.

**REMARQUE :** Régler les commandes de température sur la position la plus froide ne fera pas refroidir le réfrigérateur plus rapidement.

### Les lampes ne fonctionnent pas

- **Les ampoules ont-elles grillé?** Remplacer les ampoules. Voir "Remplacement des ampoules d'éclairage".

### Le moteur semble trop tourner

Il se peut que votre nouveau réfrigérateur fonctionne plus longtemps que l'ancien grâce à son compresseur à haute efficacité et ses ventilateurs. L'appareil peut fonctionner plus longtemps encore si la température de la pièce est chaude, si une importante quantité de nourriture y est ajoutée, si la porte est fréquemment ouverte ou si elle a été laissée ouverte.

### Le réfrigérateur semble bruyant

Le bruit des réfrigérateurs a été réduit au cours des années. Du fait de cette réduction, il est possible d'entendre des bruits intermittents venant de votre nouveau réfrigérateur qui n'avaient pas été décelés avec votre ancien modèle. Voici une liste des sons normaux accompagnés d'explications.

- **Bourdonnement** - entendu lorsque le robinet d'arrivée d'eau s'ouvre pour remplir la machine à glaçons
- **Pulsation** - les ventilateurs/le compresseur se règlent afin d'optimiser la performance.
- **Sifflement/cliquetis** - écoulement de liquide réfrigérant, mouvement des conduites d'eau ou d'objets posés sur le dessus du réfrigérateur.
- **Grésillement/gargouillement** - de l'eau tombe sur l'élément de chauffage durant le programme de dégivrage
- **Bruit d'éclatement** - contraction/expansion des parois internes, particulièrement lors du refroidissement initial.
- **Bruit d'écoulement d'eau** - peut être entendu lorsque la glace fond lors du programme de dégivrage et que l'eau s'écoule dans le plateau de dégivrage.
- **Grincement/craquement** - se produit lorsque la glace est éjectée du moule à glaçons

### Les portes ne se ferment pas complètement ou elles ne restent pas fermées

- **La porte est-elle bloquée en position ouverte?** Déplacer les emballages d'aliments pour libérer la porte.
- **Un compartiment ou une tablette bloquent-ils le passage?** Replacer le compartiment ou la tablette en position correcte.
- **Le couvercle du bac à légumes fait-il obstruction?** Vérifier que le couvercle du bac à légumes est enfoncé complètement de sorte que l'arrière repose sur les supports.
- **Le réfrigérateur n'est-il pas incliné vers l'arrière?** Pour que les portes se ferment plus facilement, soulever l'avant du réfrigérateur de façon à ce qu'il s'incline légèrement vers l'arrière. Voir "Réglage des portes".
- **La porte se ferme-t-elle trop rapidement?** Fermer doucement et fermement la porte pour l'empêcher de s'ouvrir.

La porte est difficile à ouvrir

## **AVERTISSEMENT**



### Risque d'explosion

Utiliser un produit de nettoyage ininflammable.

Le non-respect de cette instruction peut causer un décès, une explosion ou un incendie.

- **Les joints d'étanchéité sont-ils sales ou collants?** Nettoyer les joints et les surfaces de contact au savon doux et à l'eau tiède. Rincer et sécher avec un linge doux.

## Température et humidité

### La température est trop élevée

- **S'agit-il d'une nouvelle installation?** Accorder 24 heures après l'installation pour que le réfrigérateur se refroidisse complètement.
- **La porte est-elle ouverte fréquemment ou a-t-elle été laissée ouverte?** Ceci permet à l'air chaud de pénétrer dans le réfrigérateur. Réduire le nombre d'ouvertures de la porte et la maintenir complètement fermée.
- **Une importante quantité d'aliments a-t-elle été ajoutée?** Accorder quelques heures pour que le réfrigérateur revienne à sa température normale.
- **Les commandes sont-elles correctes pour les conditions existantes?** Ajuster les commandes à un réglage plus froid. Vérifier la température au bout de 24 heures. Voir "Utilisation de des commandes".

### Il y a une accumulation d'humidité à l'intérieur

**REMARQUE :** Une certaine accumulation d'humidité est normale.

- **La pièce est-elle humide?** Ceci contribue à l'accumulation de l'humidité.
- **La porte est ouverte fréquemment ou a été laissée ouverte?** Ceci permet à l'air humide de pénétrer dans le réfrigérateur. Réduire le nombre d'ouvertures de la porte et la maintenir complètement fermée.

## Glaçons et eau

### La machine à glaçons ne produit pas ou pas suffisamment de glaçons

- **Le réfrigérateur est-il connecté à l'alimentation en eau et le robinet d'arrêt d'eau est-il ouvert?** Brancher le réfrigérateur à l'alimentation en eau et ouvrir le robinet d'arrêt d'eau complètement.
- **La canalisation de la source d'eau du domicile comporte-t-elle une déformation?** Une déformation dans la canalisation peut réduire l'écoulement d'eau. Redresser la canalisation d'eau.
- **La machine à glaçons est-elle allumée?** S'assurer que le bras de commande métallique ou l'interrupteur (selon le modèle) est en position ON.
- **S'agit-il d'une nouvelle installation?** Attendre 24 heures après l'installation pour la production de glaçons. Attendre 3 jours pour que le bac à glaçons se remplisse entièrement.
- **Une grande quantité de glaçons vient-elle d'être enlevée?** Attendre 24 heures pour que la machine à glaçons produise plus de glaçons.
- **Un glaçon est-il coincé dans le bras éjecteur?** Enlever le glaçon du bras éjecteur avec un ustensile en plastique.
- **Un système de filtration de l'eau à osmose inverse est-il connecté à votre canalisation d'eau froide?** Ceci peut diminuer la pression de l'eau. Voir "Spécifications de l'alimentation en eau".

### Les glaçons sont creux ou petits

**REMARQUE :** Cela indique une faible pression de l'eau.

- **La valve de la canalisation d'eau n'est-elle pas complètement ouverte?** Ouvrir la valve d'eau complètement.
- **La canalisation de la source d'eau du domicile comporte-t-elle une déformation?** Une déformation dans la canalisation peut réduire l'écoulement d'eau. Redresser la canalisation d'eau.
- **Un système de filtration de l'eau à osmose inverse est-il connecté à votre canalisation d'eau froide?** Ceci peut diminuer la pression de l'eau. Voir "Spécifications de l'alimentation en eau".
- **Reste-t-il des questions concernant la pression de l'eau?** Appeler un plombier agréé et qualifié.

### Goût, odeur ou couleur grise des glaçons

- **Les raccords de plomberie sont-ils neufs?** Des raccords de plomberie neufs peuvent causer une décoloration et un mauvais goût des glaçons.
- **Les glaçons ont-ils été gardés trop longtemps?** Jeter les glaçons. Laver le compartiment à glaçons. Accorder 24 heures pour la fabrication de nouveaux glaçons.
- **Y a-t-il un transfert d'odeurs de nourriture?** Utiliser des emballages étanches à l'air et à l'humidité pour conserver les aliments.
- **L'eau contient-elle des minéraux (tels que le soufre)?** L'installation d'un filtre à eau peut être requise afin d'enlever les minéraux.

---

# ACCESSOIRES

Les accessoires de réfrigérateur suivants sont disponibles. Pour commander, nous contacter et demander les numéros de pièces.

Aux É.-U., consulter notre page Web [www.whirlpool.com/accessories](http://www.whirlpool.com/accessories) ou composer le **1-800-901-2042**.

Au Canada, consulter notre page Web [www.whirlpoolparts.ca](http://www.whirlpoolparts.ca) ou composer le **1-800-807-6777**.

**Nettoyant et poli pour acier inoxydable affresh® :**

Aux É.-U., commander la pièce numéro W10355016

Au Canada, commander la pièce numéro W10355016B

**Lingettes pour acier inoxydable affresh® :**

Aux É.-U., commander la pièce numéro W10355049

Au Canada, commander la pièce numéro W10355049B

**Nettoyant pour appareil ménager et cuisine affresh® :**

Aux É.-U., commander la pièce numéro W10355010

Au Canada, commander la pièce numéro W10355010B

**Ensemble d'inversion du sens d'ouverture :**

Commander la pièce n° W10395148

# GARANTIE LIMITÉE DES GROS APPAREILS MÉNAGERS WHIRLPOOL®

ATTACHEZ ICI VOTRE REÇU DE VENTE. UNE PREUVE D'ACHAT EST OBLIGATOIRE POUR OBTENIR L'APPLICATION DE LA GARANTIE.

Lorsque vous appelez le centre d'expérience de la clientèle, veuillez garder à disposition les renseignements suivants :

- Nom, adresse et numéro de téléphone
- Numéros de modèle et de série
- Une description claire et détaillée du problème rencontré
- Une preuve d'achat incluant le nom et l'adresse du marchand ou du détaillant

## SI VOUS AVEZ BESOIN DE SERVICE :

1. Avant de nous contacter pour obtenir un dépannage, veuillez déterminer si des réparations sont nécessaires pour votre produit. Certains problèmes peuvent être résolus sans intervention de dépannage. Prenez quelques minutes pour parcourir la section Dépannage ou Résolution de problèmes du guide d'utilisation et d'entretien, scannez le code QR ci-contre avec votre téléphone intelligent pour accéder à des ressources supplémentaires, ou rendez-vous sur le site <http://www.whirlpool.ca>.

2. Tout service sous garantie doit être effectué exclusivement par nos fournisseurs de dépannage autorisés. Whirlpool. Aux É.-U. et au Canada, dirigez toutes vos demandes de service sous garantie au

**Centre d'expérience de la clientèle Whirlpool**

**Aux É.-U., composer le 1-800-253-1301. Au Canada, composer le 1-800-807-6777.**

Si vous résidez à l'extérieur du Canada et des 50 États des États-Unis, contactez votre marchand Whirlpool autorisé pour déterminer si une autre garantie s'applique.



<http://www.whirlpool.ca>

## GARANTIE LIMITÉE DE UN AN

### CE QUI EST COUVERT

Pendant un an à compter de la date d'achat, lorsque ce gros appareil ménager est installé, utilisé et entretenu conformément aux instructions jointes à ou fournies avec le produit, Whirlpool Corporation ou Whirlpool Canada, LP (ci-après désignées "Whirlpool") décidera à sa seule discrétion de remplacer le produit ou de couvrir le coût des pièces spécifiées par l'usine et de la main-d'œuvre nécessaires pour corriger les vices de matériaux ou de fabrication qui existaient déjà lorsque ce gros appareil ménager a été acheté. S'il est remplacé, l'appareil sera couvert pour la période restant à courir de la garantie limitée d'un an du produit d'origine.

LE SEUL ET EXCLUSIF RECOURS DU CLIENT DANS LE CADRE DE LA PRÉSENTE GARANTIE LIMITÉE CONSISTE EN LA RÉPARATION PRÉVUE PAR LA PRÉSENTE. Le service doit être fourni par une compagnie de service désignée par Whirlpool. Cette garantie limitée est valide uniquement aux États-Unis ou au Canada et s'applique exclusivement lorsque le gros appareil ménager est utilisé dans le pays où il a été acheté. La présente garantie limitée est valable à compter de la date d'achat initial par le consommateur. Une preuve de la date d'achat initial est exigée pour obtenir un dépannage dans le cadre de la présente garantie limitée.

### CE QUI N'EST PAS COUVERT

1. Usage commercial, non résidentiel ou par plusieurs familles, ou non-respect des instructions de l'utilisateur, de l'opérateur ou des instructions d'installation.
2. Visite d'instruction à domicile pour montrer à l'utilisateur comment utiliser l'appareil.
3. Visites de service pour rectifier une installation ou un entretien fautifs du produit, une installation non conforme aux codes d'électricité ou de plomberie, ou la rectification de l'installation électrique ou de la plomberie du domicile (ex : câblage électrique, fusibles ou tuyaux d'arrivée d'eau du domicile).
4. Pièces consommables (ex : ampoules, batteries, filtres à air ou à eau, solutions de conservation, etc.).
5. Défauts ou dommage résultant de l'utilisation de pièces ou accessoires Whirlpool non authentiques.
6. Conversion de votre produit du gaz naturel ou du gaz de pétrole liquéfié.
7. Dommages causés par : accident, mésusage, abus, incendie, inondations, catastrophe naturelle ou l'utilisation de produits non approuvés par Whirlpool.
8. Réparations aux pièces ou systèmes dans le but de rectifier un dommage ou des défauts résultant d'une réparation, altération ou modification non autorisée faite à l'appareil.
9. Défauts d'apparence, notamment les éraflures, traces de choc, fissures ou tout autre dommage subi par le fini de l'appareil ménager, à moins que ces dommages ne résultent de vices de matériaux ou de fabrication et ne soient signalés à Whirlpool dans les 30 jours suivant la date d'achat.
10. Décoloration, rouille ou oxydation des surfaces résultant d'environnements caustiques ou corrosifs incluant des concentrations élevées de sel, un haut degré d'humidité ou une exposition à des produits chimiques (exemples non exhaustifs).
11. Perte d'aliments ou de médicaments due à la défaillance du produit.
12. Enlèvement ou livraison. Ce produit est conçu pour être réparé à l'intérieur du domicile.
13. Frais de déplacement et de transport pour le dépannage/la réparation dans une région éloignée où une compagnie de service Whirlpool autorisée n'est pas disponible.
14. Retrait ou réinstallation d'appareils inaccessibles ou de dispositifs préinstallés (ex : garnitures, panneaux décoratifs, plancher, meubles, îlots de cuisine, plans de travail, panneaux de gypse, etc.) qui entravent le dépannage, le retrait ou le remplacement du produit.
15. Service et pièces pour des appareils dont les numéros de série et de modèle originaux ont été enlevés, modifiés ou ne peuvent pas être facilement identifiés.

**Le coût d'une réparation ou d'un remplacement dans le cadre de ces circonstances exclues est à la charge du client.**

### CLAUSE D'EXONÉRATION DE RESPONSABILITÉ AU TITRE DES GARANTIES IMPLICITES

LES GARANTIES IMPLICITES, Y COMPRIS LES GARANTIES APPLICABLES DE QUALITÉ MARCHANDE OU D'APTITUDE À UN USAGE PARTICULIER, SONT LIMITÉES À UN AN OU À LA PLUS COURTE PÉRIODE AUTORISÉE PAR LA LOI. Certains États et provinces ne permettent pas de limitation sur la durée des garanties implicites de qualité marchande ou d'aptitude à un usage particulier, de sorte que la limitation ci-dessus peut ne pas être applicable dans votre cas. Cette garantie vous confère des droits juridiques spécifiques et vous pouvez également jouir d'autres droits qui peuvent varier d'une juridiction à l'autre.

### EXONÉRATION DE RESPONSABILITÉ DANS LES DOMAINES NON COUVERTS PAR LA GARANTIE

Whirlpool décline toute responsabilité au titre de la qualité, de la durabilité ou en cas de dépannage ou de réparation nécessaire sur ce gros appareil ménager autre que les responsabilités énoncées dans la présente garantie. Si vous souhaitez une garantie plus étendue ou plus complète que la garantie limitée fournie avec ce gros appareil ménager, adressez-vous à Whirlpool ou à votre détaillant pour obtenir les modalités d'achat d'une garantie étendue.

### LIMITATION DES RECOURS; EXCLUSION DES DOMMAGES FORTUITS OU INDIRECTS

LE SEUL ET EXCLUSIF RECOURS DU CLIENT DANS LE CADRE DE LA PRÉSENTE GARANTIE LIMITÉE CONSISTE EN LA RÉPARATION PRÉVUE PAR LA PRÉSENTE. WHIRLPOOL N'ASSUME AUCUNE RESPONSABILITÉ POUR LES DOMMAGES FORTUITS OU INDIRECTS. Certains États et certaines provinces ne permettent pas l'exclusion ou la limitation des dommages fortuits ou indirects de sorte que ces limitations et exclusions peuvent ne pas être applicables dans votre cas. Cette garantie vous confère des droits juridiques spécifiques et vous pouvez également jouir d'autres droits qui peuvent varier d'une juridiction à l'autre.







45<sup>5</sup>/<sub>32</sub>"  
(10.6 cm)

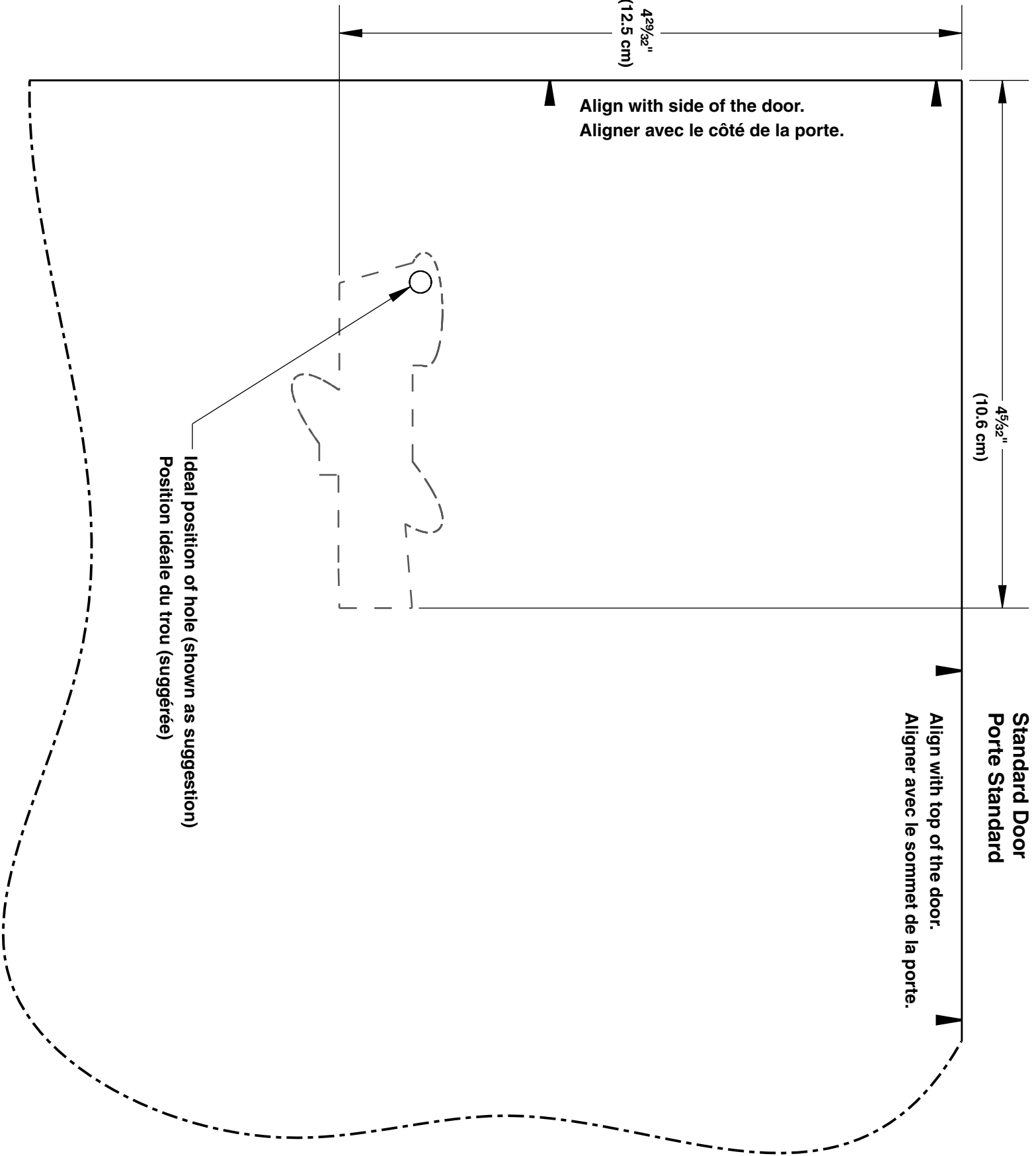
**Standard Door**  
**Porte Standard**

**Align with top of the door.**  
**Aligner avec le sommet de la porte.**

**Align with side of the door.**  
**Aligner avec le côté de la porte.**

4<sup>29</sup>/<sub>32</sub>"  
(12.5 cm)

**Ideal position of hole (shown as suggestion)**  
**Position idéale du trou (suggérée)**



21 1/32" (6.0 cm)

5" (12.7 cm)

Contour Door  
Porte Contour

Align with top of the door.  
Aligner avec le sommet de la porte.

Align with side of the door.  
Aligner avec le côté de la porte.

4 19/32" (11.7 cm)

5 7/16" (13.8 cm)

Ideal position of hole (shown as suggestion)  
Position idéale du trou (suggérée)

