

Dishwasher

Use and Care Manual

FOR MODELS

DW 14110 NBL00
DW 14120 NBL00
DW 14140 NBL00

DW 15110 NBL00
DW 15111 NBL00
DW 15120 NBL00

DW 15121 NBL00
DW 15140 NBL00
DW 15141 NBL00

Blomberg

USA

To prevent accidents, which could cause serious injury or death, as well as machine damage, read these instructions before installation and / or use.

Contents

1.	IMPORTANT SAFETY INSTRUCTIONS	1
2.	INSTALLATION	2
3.	GETTING TO KNOW YOUR DISHWASHER.....	3
4.	LOADING THE DISHWASHER.....	4
4.1	UPPER RACK	5
4.2	LOWER RACK	7
4.3	PROPER AND IMPROPER LOADING OF DISHWARE	9
5.	WHAT SHOULD NOT BE WASHED IN YOUR DISHWASHER	10
6.	OPERATING THE DISHWASHER	11
7.	DETERGENT & RINSE AID DISPENSER	13
7.1	FILLING THE DETERGENT DISPENSER.....	13
7.2	FILLING RINSE AID DISPENSER	14
8.	SETTING THE WATER SOFTENER	15
9.	FILLING THE DISHWASHER SALT DISPENSER.....	16
10.	CARE AND MAINTENANCE	16
10.1	CARING FOR YOUR DISHWASHER EXTERIOR.....	16
10.2	CARING FOR YOUR DISHWASHER INTERIOR.....	16
11.	TROUBLE SHOOTING.....	18
12.	TECHNICAL FEATURES	25
13.	WARRANTY STATEMENT FOR THE BLOMBERG DISHWASHERS	26
14.	HOW TO GET SERVICE.....	26

INTRODUCTION

Please read this user manual and particularly the safety instructions completely and carefully. They will save you time and effort and help to ensure optimum dishwasher performance.

Be sure to observe all listed warnings and cautions. Look particularly for the icons with exclamation marks inside. The information icon will also provide important references.



WARNING : Indicates a potentially hazardous situation which, if not avoided, could result in death or serious injury.

CAUTION : Indicates a potentially hazardous situation which, if not avoided, may result in injury. It may also be used to alert against unsafe practices.

Notice : Indicates a potentially hazardous situation which, if not avoided, may result in damage to the dishwasher, the table-ware, the equipment or the environment.

1. IMPORTANT SAFETY INSTRUCTIONS

WARNING

When using the dishwasher, follow basic precautions, including the following:

Read all instructions before using the dishwasher! Save these operating instructions and pass them on to any future user.

- Use the dishwasher only for its intended purpose as described in this user manual. This appliance is intended for normal household use only.
- **The manufacturer disclaims responsibility for damage or injury caused by improper use of this appliance.**
- The information in this user manual must be followed to minimize the risk of fire or explosion and to prevent property damage, personal injury or loss of life.
- Do not operate your dishwasher unless all the enclosure panels are properly in place.
- Do not tamper with the controls.
- Do not abuse, sit on, stand in or on the door or dish rack of the dishwasher.
- The cup racks are designed to support cups, glasses and kitchen utensils. When the cup racks are in the dishwasher do not lean on or use the cup racks to support your body weight.
- To reduce the risk of injury, do not allow children to play in, on or near the dishwasher.
- Use only detergents or rinse aids recommended for use in a household dishwasher and keep them in a dry place out of the reach of children. Check that the detergent dispenser is empty after the completion of each wash program.
- Dishwasher detergents are alkaline. They can be dangerous if inhaled or swallowed. Avoid contact with skin and eyes and keep children and infirm persons away from the dishwasher when the door is opened. Consult a doctor immediately if detergent has been swallowed or inhaled.
- Do not drink water from the dishwasher! Harmful residues could be present.
- Under certain conditions hydrogen gas may be produced in a hot water heater system that has not been used for two weeks or more. Hydrogen gas is explosive. If the hot water system has not been used for such period, before using the dishwasher turn on all hot water taps and let the water flow from each for several minutes. This will release any accumulated hydrogen gas. As gas is flammable, do not smoke or use an open flame during this time.

- Do not store or use flammable liquids or vapors in the area of the dishwasher.
- When loading items to be washed, position sharp items so that they are not likely to damage the door seal and load sharp knives with the handles up to reduce the risk of cut-type injuries.
- Do not wash plastic items unless they are marked "dishwasher safe" or the equivalent. For plastic items not so marked, check the manufacturer's recommendations.
- If a malfunction occurs, switch off the appliance and turn off the water supply to the dishwasher.
- Before cleaning or carrying out maintenance, switch off the appliance, disconnect the power plug and turn off the water supply.
- Repairs and technical modifications must be carried out exclusively by a qualified technician.
- If the dishwasher is not in use for an extended period of time (i.e. vacation home), we recommend you check that the baskets are empty, leave the inside of the dishwasher clean, leave the door cracked open to allow air to circulate and turn off both the power and water supply to the dishwasher.
- Do not install or store the dishwasher where it can be exposed to below freezing temperatures or exposed to weather.
- Dishwasher must be secured to adjacent cabinetry using the brackets provided. Failure to do this may cause damage to property or bodily injury.
- Connect to a properly rated, protected and sized power supply circuit to avoid electrical overload. The dishwasher is designed for an electrical supply of 120 V (volts), 60 Hz (hertz), AC, connected to a dishwasher-dedicated, properly grounded electrical circuit with a fuse or breakers rated for 15 amperes. Electrical supply conductors shall be a minimum of # 14 AWG copper wire rated at 75 °C (167 °F) or higher. These requirements must be met to prevent injury and machine damage. Consult a qualified electrician if in doubt.
- Do not use any extension cord or portable outlet device to connect the dishwasher to a power supply.

SAVE THESE INSTRUCTIONS

2. INSTALLATION

WARNING

When installing the dishwasher, follow basic precautions, including the following:

- The dishwasher installation must be performed in accordance with the installation manual. If you did not receive an installation manual order it by calling **1-800-459-9848** or you may also download it from our web site at **www.Blombergappliances.com**
- Installation, maintenance and repair should be performed by a qualified installer. Work by unqualified persons could be dangerous and may void the warranty.
- Do not operate the appliance if damaged, malfunctioning, partially disassembled or if it has missing or broken parts.
- Before installation or service, disconnect the power supply to the work area by unplugging the unit, "tripping" the circuit breaker or removing the fuse.
- Only connect the dishwasher to the power supply when all installation and plumbing work is complete.
- Remove the door to the washing compartment when removing an old dishwasher from service or discarding it. Ensure that the appliance presents no danger to children while being stored for disposal.
- Old appliances may contain materials that can be recycled. Please contact your local recycling authority about the possibility of recycling these materials.

WARNING

Danger of suffocation!

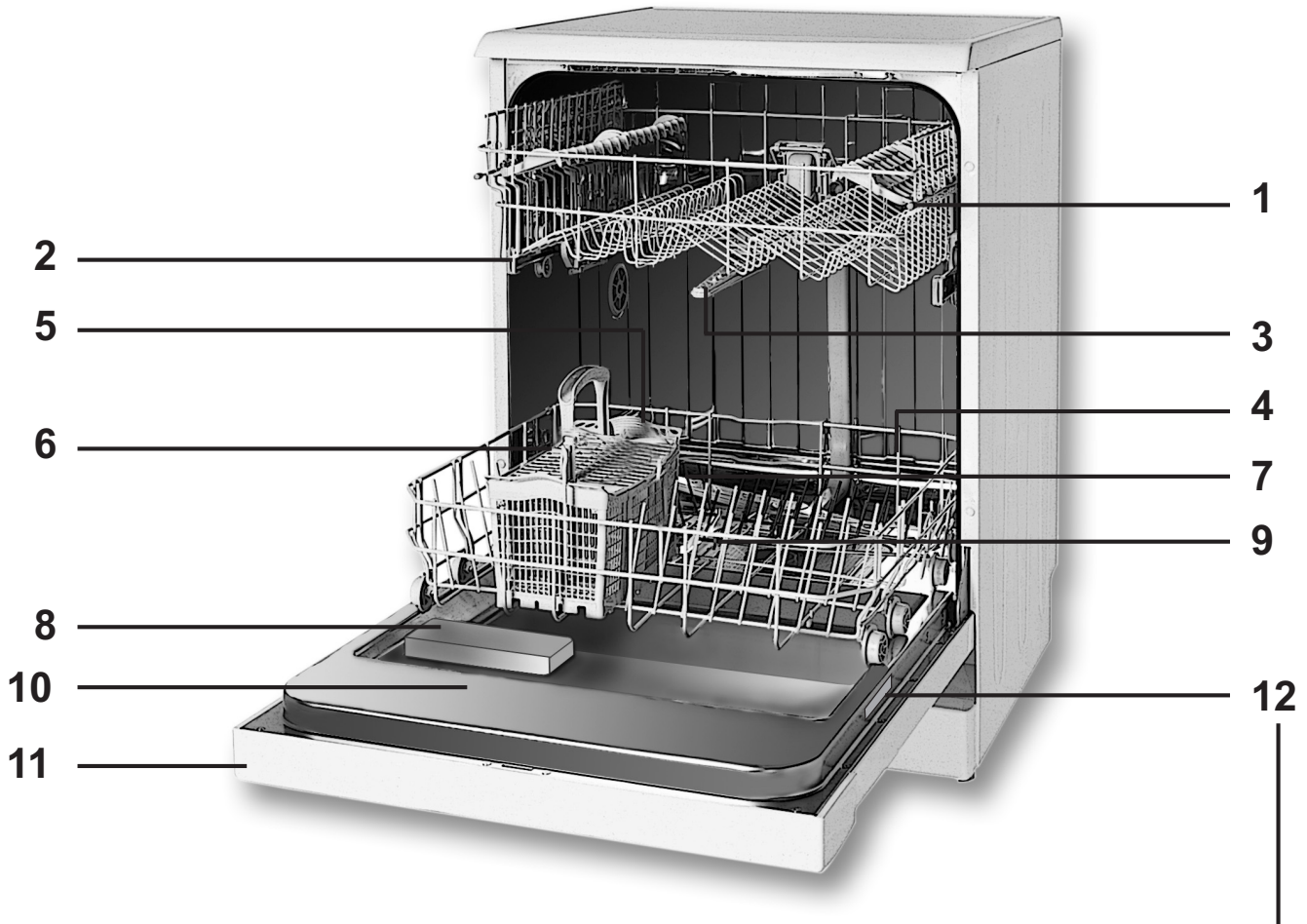
Ensure that any plastic wrappings, bags, small pieces etc. are disposed of safely and kept out of the reach of children.

- Remove the door to the washing compartment when removing an old dishwasher from service or discarding it. Ensure that the appliance presents no danger to children while being stored for disposal.
- Old appliances may contain materials that can be recycled. Please contact your local recycling authority about the possibility of recycling these materials.

3. GETTING TO KNOW YOUR DISHWASHER

FOR MODELS

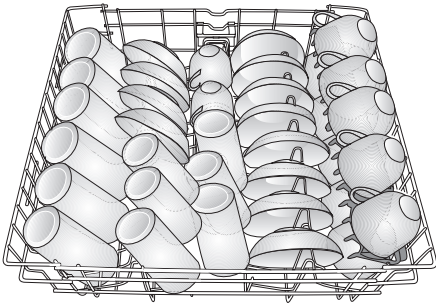
DW 14110 NBL00	DW 15110 NBL00	DW 15121 NBL00
DW 14120 NBL00	DW 15111 NBL00	DW 15140 NBL00
DW 14140 NBL00	DW 15120 NBL00	DW 15141 NBL00



<p>Blomberg</p> <p>MODEL NUMBER (NUMÉRO DE MODÈLE): DW xxxxx xxxxx Type No: UB1 xxxxx R-45</p>	<p>~ 120 V 12 A 60Hz Ⓜ 1.2 A Stock Number :xxxxxxxxx Serial Number :xxxxxxxxx Made in Turkey</p>	<p> LISTED (LISTÉ) 32ZR DISHWASHER (LAVE-VAISSELLE) E257136 </p> <p> CANADIAN ENERGY PERFORMANCE VERIFIED RENDEMENT ÉNERGÉTIQUE VERIFIÉ EP3097761 </p>
---	--	--

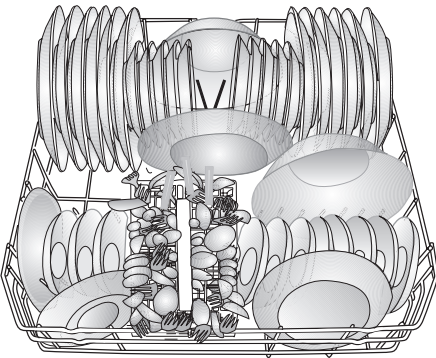
- | | |
|--|--|
| <p>1 Upper rack</p> <p>2 Guiding track for the upper rack</p> <p>3 Upper spray arm</p> <p>4 Lower rack</p> <p>5 Salt container (depending on model)</p> <p>6 Cutlery basket</p> | <p>7 Lower spray arm</p> <p>8 Detergent dispenser</p> <p>9 Filters</p> <p>10 Door</p> <p>11 Control panel</p> <p>12 Model and Serial Tag</p> |
|--|--|

Upper rack



Top rack load pattern for 12 place settings according to the AHAM DW-1 Standards

Lower rack



Bottom rack load pattern for 12 place settings according to the AHAM DW-1 Standards

4. LOADING THE DISHWASHER

1. Pull the handle to open the door.
If the door is opened during operation, the dishwasher will stop running. Once the door is closed the program will continue.

⚠ CAUTION

Hot steam can escape! Danger of serious burns or other injury.

2. Remove coarse food leftovers from tableware.
3. Now you can load the dishwasher.

⚠ CAUTION

- Large knives and other utensils with sharp tips and edges must be placed horizontally into the upper rack due to risk of injury. Other smaller knives and sharp utensils should be placed with sharp side down in the cutlery basket.
Use extreme caution when removing knives and other sharp utensils from the dishwasher. These items may have shifted position during the wash program, and may be wet or slippery.
- The cup racks are designed to support cups, glasses and kitchen utensils. When the cup racks are in the dishwasher do not lean on or use the cup racks to support your body weight.

i Notice :

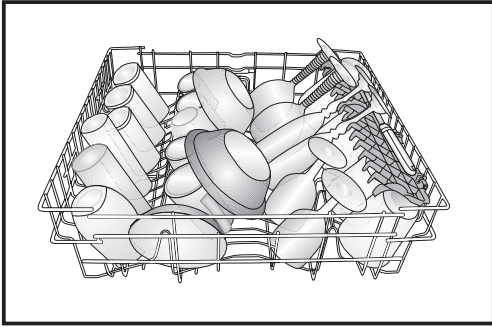
- Your dishwasher holds a maximum of 12 place settings.
- Place all containers such as cups, glasses and pots into the dishwasher with the opening facing downwards (so that no water can collect).
- Small and light items can go into the upper rack.
- Long and narrow items are placed in the middle of the racks.
- Place all large and very dirty items in the lower rack.

- Dishes and cutlery should not be placed above each other.
- Glasses should not touch.
- The movement of the spray arms must not be hindered.

- Do not overload your dishwasher and pay attention to manufacturer instructions regarding dishes which are appropriate for use in for a dishwasher. Only with suitable dishes (mentioned in section 5) will you obtain optimal washing results with a sensible use of energy.

4.1 UPPER RACK

Load the upper rack with dessert plates, cups, glasses etc.



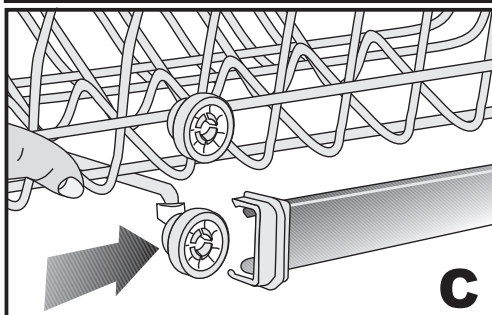
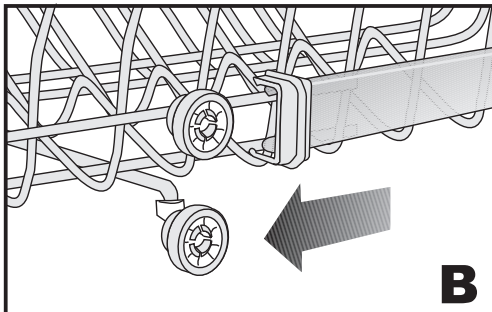
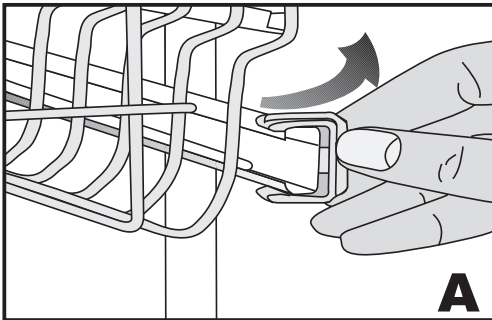
4.1.1 HEIGHT SETTING (DEPENDING ON MODEL)

In certain models, the height setting of the upper rack may be changed using the wheels which are present at two height levels

⚠ CAUTION

Make sure that the rack is empty. Changing the height setting while the rack contains tableware could cause the contents to dislodge, causing personal injury or damage to the tableware.

1. Release the latches on both the right and left tracks of the upper rack by turning them to the outside **A**
2. Pull out the rack completely **B**.
3. Place the rack into the tracks again at the desired height **C**.
4. Push the latches back into the correct position.

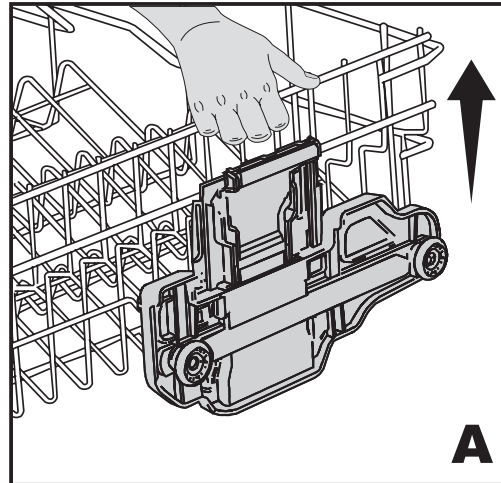


4.1.2 VARIABLE HEIGHT SETTING (DEPENDING ON MODEL)

The upper rack is equipped with a lifting mechanism which enables you to change the height of the rack even if it is fully loaded, and without having to remove it from the dishwasher.

LIFT UPPER RACK

1. To lift the upper rack to a higher position, hold it on one side and carefully pull it upwards **A**.
2. To lift the opposite side of the rack, hold it and pull it upwards in the same manner.

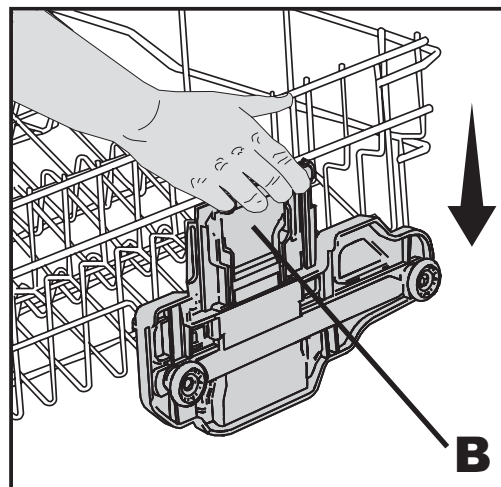


LOWER UPPER RACK

1. To lower the upper rack, hold the rack lever on one side and carefully lower the rack without releasing the lever **B**.
2. Repeat the procedure with the lever on the opposite side of the rack.

i Notice :

Make sure that both levers catch in the same height position.



4.1.3 GLASS SUPPORT (DEPENDING ON MODEL)

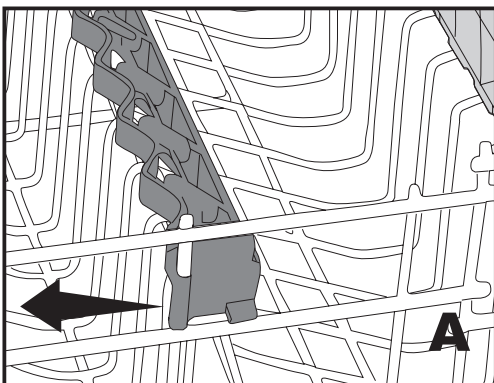
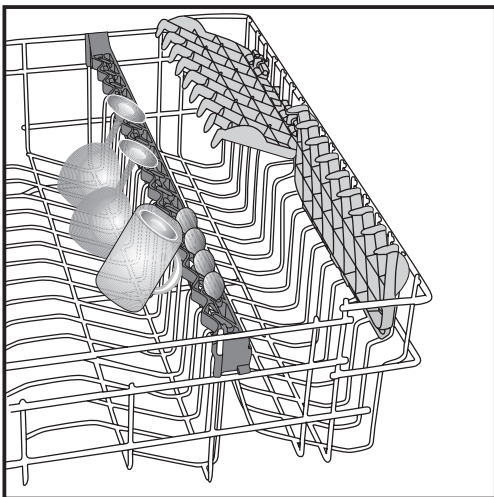
i Notice :

- When placing glasses or goblets with long stems, lean them against the glass support, the edge of the rack or the shelf but not against the other pieces.
- Do not lean the long glasses against each other, otherwise they may not remain stable during the washing cycle and may get damaged.

! CAUTION

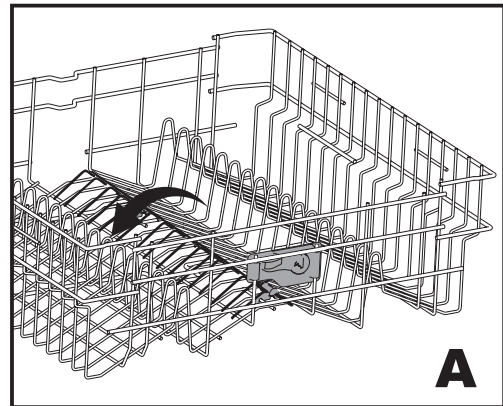
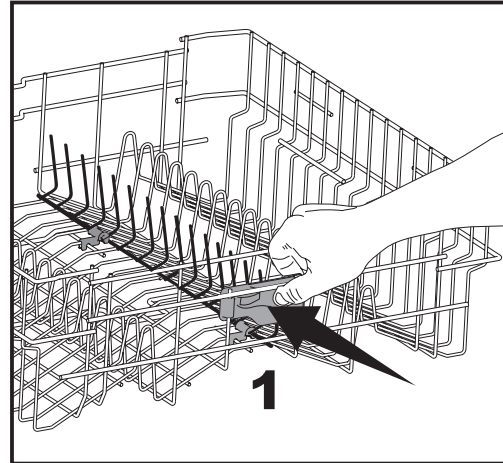
Improper loading of glassware could result in breakage. Broken glass can cause serious injury, and should be handled with extreme care.

- When you need to place bulky pieces into the upper rack, disconnect the lug of the glass support from the bar of the rack where it is attached to acquire a wider space.



4.1.4 FOLDING TINES

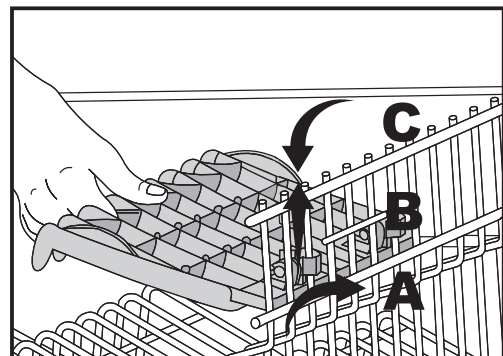
There are "folding tines" in the upper rack to allow you more space to accommodate glasses or cups. Simply press the handgrip **1** until the tines fall down **A**. Take the tines up to fold it up again, they snap into the clip.



4.1.5 ADJUSTABLE SHELVES (DEPENDING ON MODEL)

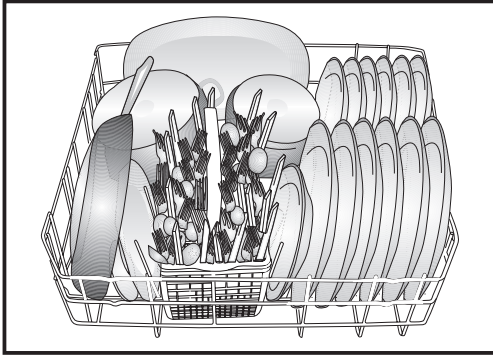
Depending on the size of the glasses and cups, the shelf height setting may be adjusted.

1. Fold the shelf upwards **A**.
2. Positioning at the desired height **B**.
3. Fold the shelf again downwards **C**.



4.2 LOWER RACK

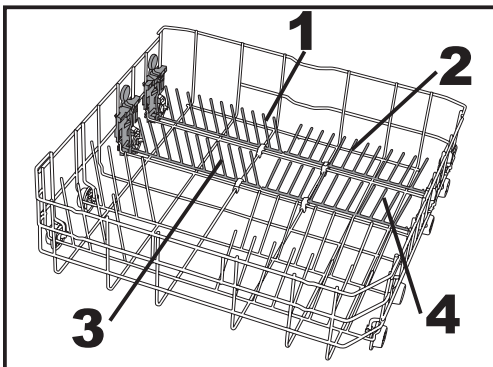
Use the lower rack for plates, bowls, pots etc.



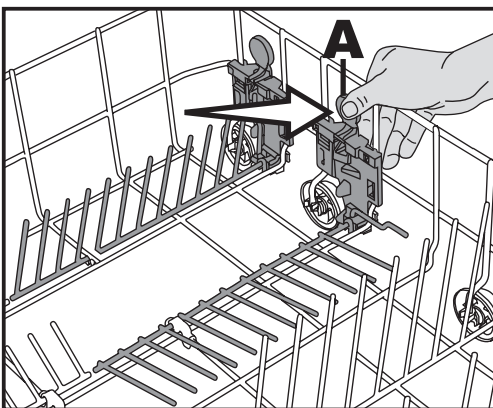
4.2.1 FOUR FOLDING PLATE SUPPORT TINES (DEPENDING ON MODEL)

There are 4 separate "folding plate support tines" in the lower rack of your dishwasher designed to allow you more space to accommodate saucepans, pots and large bowls in the lower rack. You can either fold each section

(**1, 2, 3, 4**), individually or, all at once, to create a large empty space.

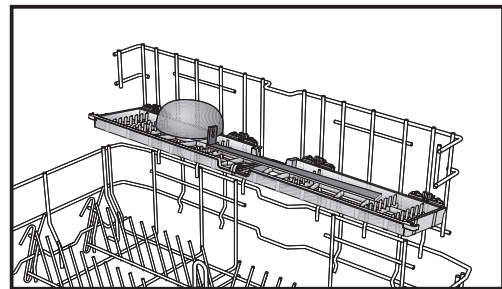
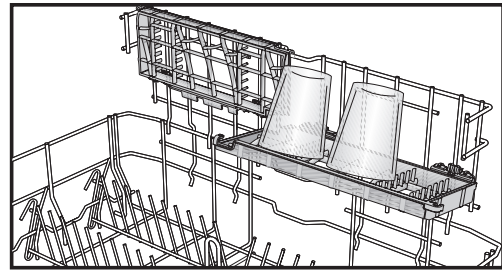


Simply press the handgrips **A** and fold them down. Pull tines up to fold them up again.



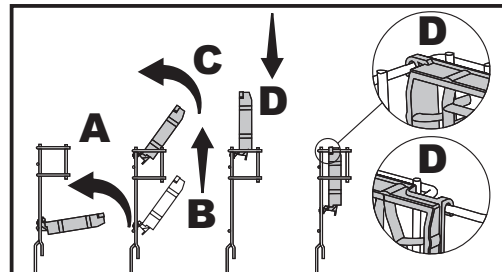
4.2.2 INSET SHELF WITH VARIABLE HEIGHT SETTING TINES (DEPENDING ON MODEL)

You can use this inset in the lower rack for glasses and long-handled cutlery / utensils.



If you do not need the inset:

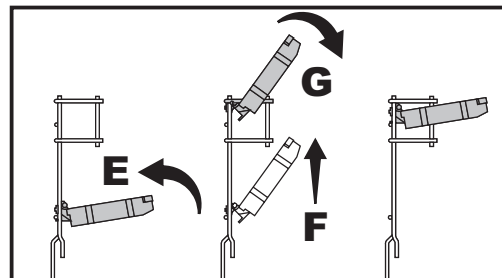
1. Fold the shelf upwards at the angle **A**.
2. Push the entire inset upwards **B**.
3. Place the inset in the upright position **C**.
4. Push the inset down and lock it with the holder **D**.



If you would like to use the shelf again, proceed in the opposite direction.

For the height setting:

1. Push the shelf upwards **E**.
2. Push the entire inset upwards **F**.
3. Fold it open in position **G**.

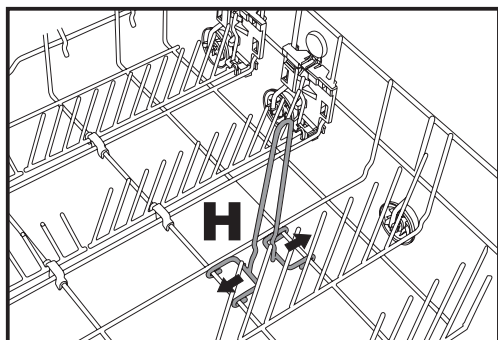


i Notice :

When finished, test to ensure that the spray arm can still move freely.

4.2.3 BOTTLE HOLDER (DEPENDENT ON MODEL)

For cleaning baby bottles or vases. To remove, pull both holders apart in opposite directions **H**.

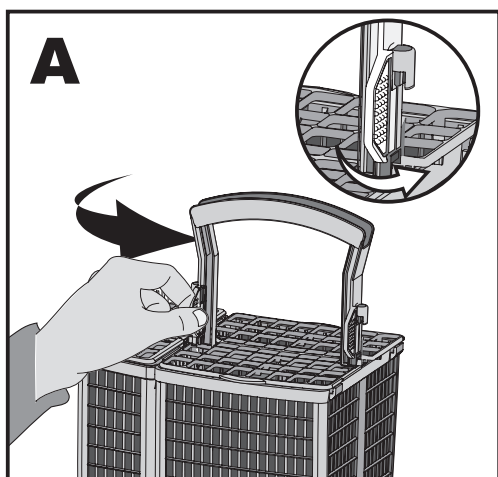


4.2.4 VARIABLE CUTLERY BASKET (DEPENDENT ON MODEL)

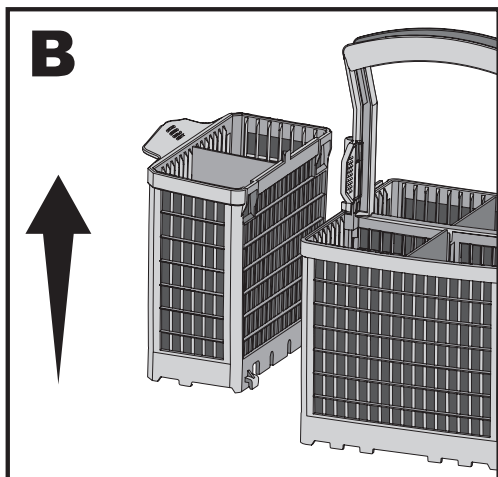
The variable cutlery basket can be separated into 3 parts depending on the amount of cutlery and the degree of dirtiness.

Small cutlery basket sections also fit into the upper basket.

To do this, turn the lock on the handle to the right **A**.



Pull the smaller cutlery basket upwards and out of its holders **B**.



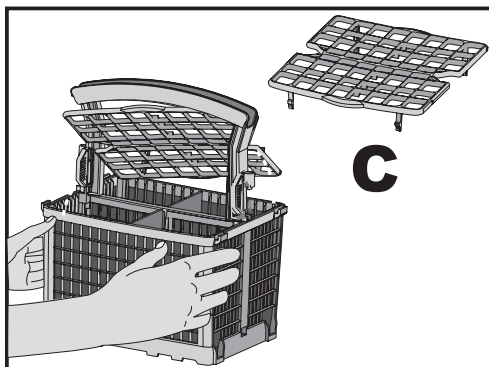
To put the parts together again, proceed in the opposite direction.

Use the basket inset **C** for your cutlery so that all items in the basket are surrounded by a sufficient water flow.

For larger items (e.g. wire whisks) the basket inset may be removed **C**. Simply raise.

To make loading easier, the cutlery basket can be removed. Simply take out basket upward.

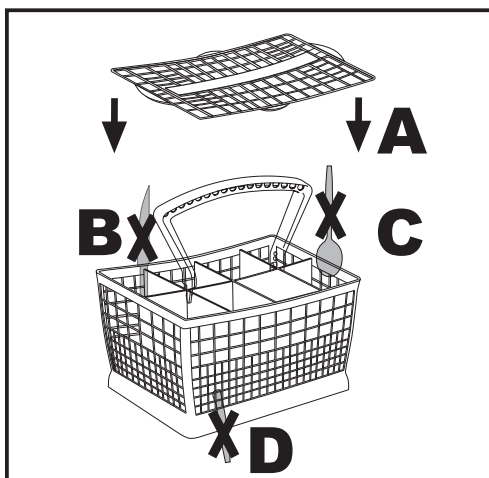
Place long items such as ladles, cooking spoons etc. on the shelf in the upper rack.



i Notice :

When finished, test to ensure that the spray arm can still move freely.

4.2.5 CUTLERY BASKET (DEPENDENT ON MODEL)



A Use inset.

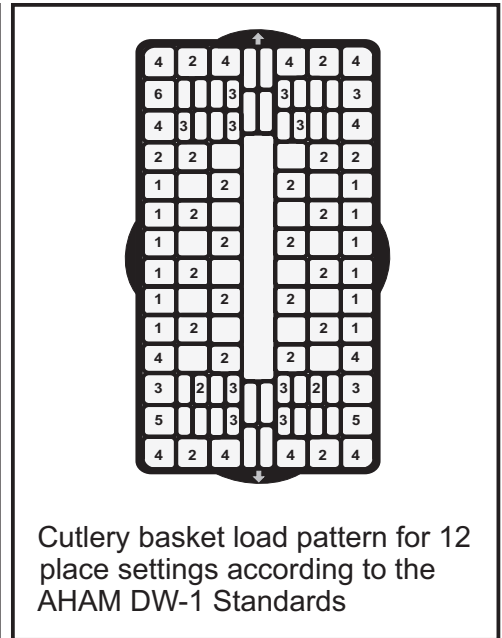
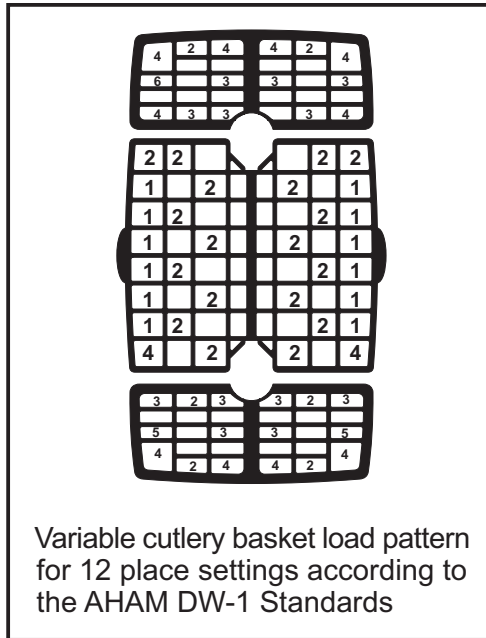
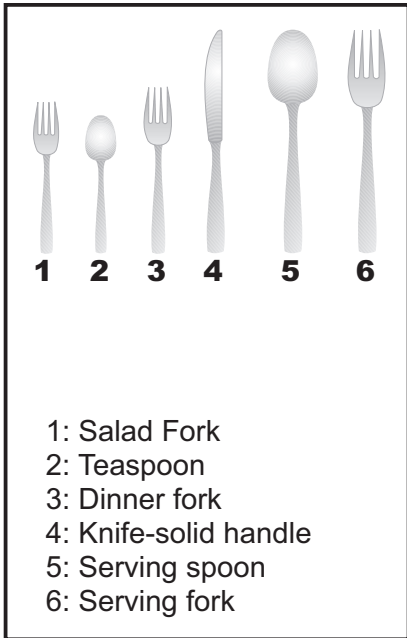
! CAUTION

B Position sharp items so that they are not likely to damage the door seal and load sharp knives with the handles up to reduce the risk of cut-type injuries.

C Adjust spoons around differently.

i Notice :

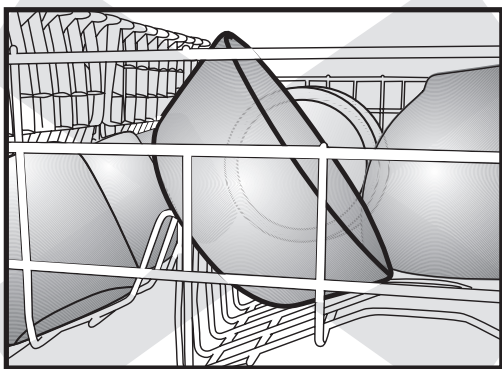
D Pay attention to any parts that come out of the basket. The movement of the spray arms must not be hindered.



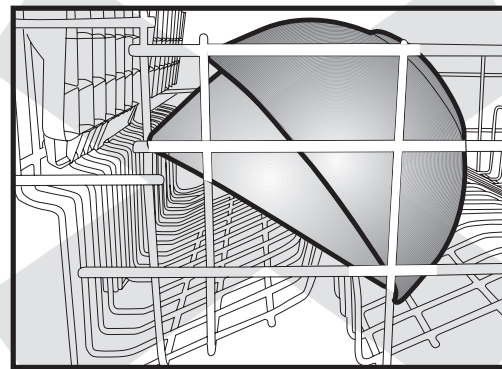
4.3 PROPER AND IMPROPER LOADING OF DISHWARE

i Notice :

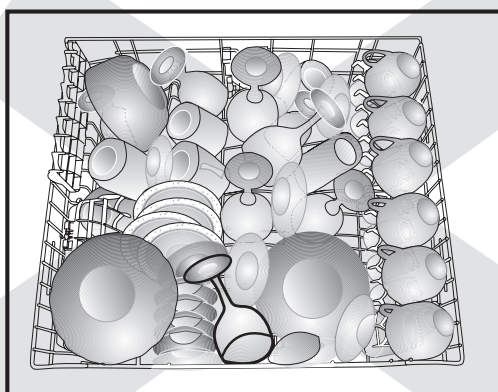
- Place all large and very dirty items in the lower rack.
- Place all containers such as cups, glasses and pots into the dishwasher with the opening facing downwards (so that no water can collect).
- The movement of the spray arms must not be hindered.
- Do not overload your dishwasher. Dishes and cutlery should not be placed above each other. Glasses should not touch.
- Only with suitable dishes (mentioned in section 5) will you obtain optimal washing results with a sensible use of energy.



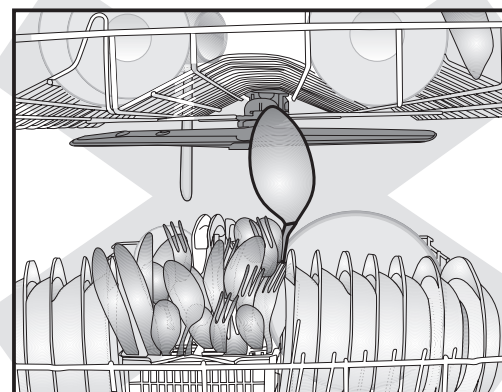
incorrect



incorrect



incorrect



incorrect

5. WHAT SHOULD NOT BE WASHED IN YOUR DISHWASHER

Notice :

- Rust-sensitive steel parts like iron and cast iron that can rust and stain other utensils and damage the interior stainless steel liner of the dishwasher and void the warranty. Do not wash copper, brass, pewter, bronze or tin.
- Cutlery with wooden or horn handles and cutlery with mother-of-pearl or porcelain handles will deteriorate over time if put in the dishwasher.
- Plastics may lose their shape or color with hot water, please follow the instructions of plastic manufacturers. Be sure that plastic items are marked "dishwasher safe".
- Glued dishes or cutlery are not suitable for machine washing since certain adhesives may get soft or dissolve with hot water.
- Aluminum may fade over time. Minerals in water and detergent may cause the aluminum to darken or spot.
- Sterling silver articles should not be washed in the dishwasher because they tend to discolor and become dull by dishwasher detergent.
- Silverware and stainless steel items should not be in contact with each other. Mixing these items can cause staining. Remove and hand dry these items immediately when the program ends.
- Decorated glasses, porcelain, fine china and china with gold rims are sensitive to machine washing. They may lose their patterns and colors over time.
- Crystal and very fine glassware may become opaque (etch) losing their shine over time. You may prefer to wash them by hand.
- Do not wash sponges or dish cloths in dishwasher.
- Do not wash art and craft articles in dishwasher.
- Disposable plastics and disposable aluminum cannot withstand high temperatures; do not wash them in the dishwasher.

CAUTION

- **If in doubt, wash by hand or follow the instructions from the manufacturer of utensils, dishes, glasses or pots and pans.**
- **Do not wash items soiled with cigarette ash, candle wax, varnish, paints or chemicals since they can damage your dishwasher.**

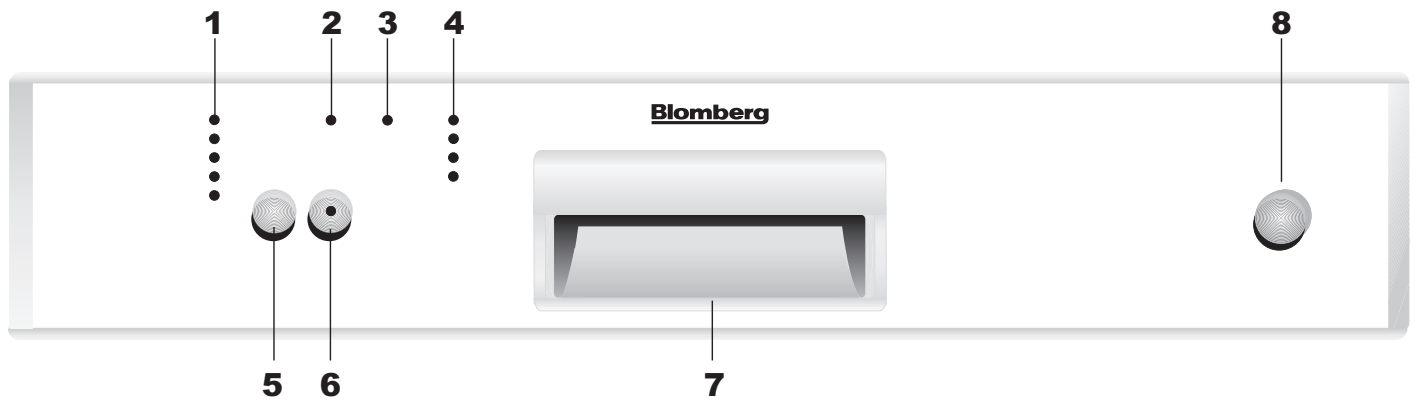
Notice :

We recommend when buying new dishware, try to choose ones that are suitable for machine washing (marked as dishwasher safe).

CARING FOR YOUR TABLE-WARE

The combination of high temperatures and dishwasher detergent may cause damage to some items if they are washed in the dishwasher. Remember, if there is any doubt about any aspect concerning items to be washed in the dishwasher, follow the instructions from the manufacturer of the items, or wash the items by hand.

6. OPERATING THE DISHWASHER



- | | | |
|--|-----------------------------------|------------------------|
| 1 Program lights | 4 Program follow up lights | 7 Door handle |
| 2 Rinse aid level indicator light * | 5 Cycle Select button | 8 On/Off button |
| 3 Salt level indicator light * | 6 Start/Pause button | |

* Depending on model

HOW TO USE YOUR DISHWASHER:

1. Open the door by pulling the door handle. **7**
2. Load the dishwasher.
3. Check that both upper and lower spray arms move freely.
4. Fill enough detergent into the detergent dispenser and close the lid.
5. Use the On/Off button **8** to turn the dishwasher on.
6. Check the rinse aid level indicator light. **2**
If necessary, refill rinse aid.
(depending on model)
7. Check the salt level indicator light **3** If necessary, refill salt. (depending on model)
8. Use the Cycle Select button **5** to choose your washing program.
9. Start the program with the Start/Pause button. **6**
10. When the progress indicator light "End" **4** lights up, the wash cycle is completed. Use the On/Off button **8** to turn the dishwasher off.
11. Allow your dishes to cool for 20 minutes, with the door open.
12. Unload the dishes. Begin with the lower rack.

CAUTION

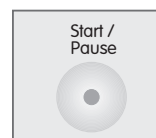
Avoid opening the door during the washing process. This interrupts the washing process, and hot steam will escape. Hot steam can cause burns and other serious injuries. When the door is closed, the program will continue.

FUNCTION BUTTONS



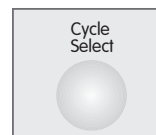
On/Off button

Turn your dishwasher on with the On/Off button. When turning on, the icon on the display module of the last used program will light up.



Start/Pause button

Use this button to start the selected program; the light on the button lights up. Stop the program with the Start/Pause button if you would like to open the door once the dishwasher's washing program is running.



Cycle Select button

Use the Cycle Select button to select the desired program. The diode of the corresponding program will light up.

Cancellation of a program

To cancel a program while the dishwasher is running:

1. Press Start/Pause button for 5 seconds. The indicator light will start flashing.
2. The dishwasher will drain the water inside the machine for 45 seconds.
3. The program is cancelled when indicator light goes off.
4. Then, you can choose and start a new program.

WARNING

Depending on the stage of the program you have cancelled, there may be detergent residue or rinse aid inside the machine and on the dishes. Make sure the items in the dishwasher are not used before washing properly. Ingestion or inhalation of detergent or rinse aid may cause serious injury. Avoid contact with skin and eyes and keep children and infirm persons away from these materials.

Program change

To change a running program:

1. Press the Start/Pause button. The indicator light on the button will turn off.
2. Select a new program and start it with the Start/Pause button. The respective program diode lights up.

CAUTION

The new program will **NOT** start right from the beginning. It will start from the stage last carried out by the previous program selection.

WARNING

Depending on the length of the terminated program detergent and rinse aid may still be in the dispensers.

Ingestion or inhalation or detergent or rinse aid may cause serious injury. Avoid contact with skin and eyes, and keep children and infirm persons away from these materials.

CONTROL INDICATOR LIGHTS

Program selection via diode lights



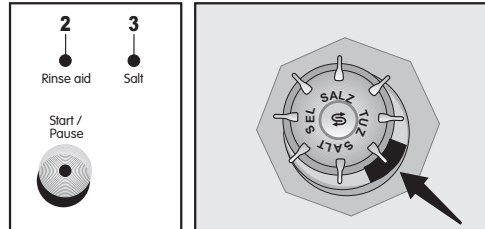
Number and order of the programs may vary depending on model.

Salt level indicator light (depending on model)

When this indicator light comes on, you must refill special salt. Only use special dishwasher salt in your machine to soften the water.

When the visual fill indicator is dark, there is enough salt in the container.

When the color is light, open the container and add dishwasher salt.



Program follow up lights

During the washing process, the individual active program segments are shown by the program follow up lights.

Notice :

- When using the 30 minutes quick wash program, the program follow up light for drying does not light up.
- The washing process is only complete when the program follow up light "End" lights up.

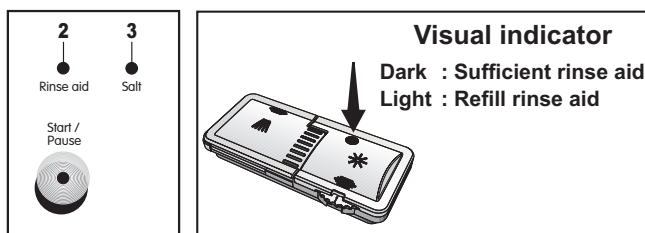


Rinse aid level indicator light (depending on model)

If this indicator light comes on, you have to refill rinse aid.

You can also tell whether rinse aid must be refilled by looking at the rinse aid dispenser. When the visual fill indicator is dark, there is enough rinse aid in the dispenser.

When the color is light, open the dispenser and refill rinse aid.



7. DETERGENT & RINSE AID DISPENSER

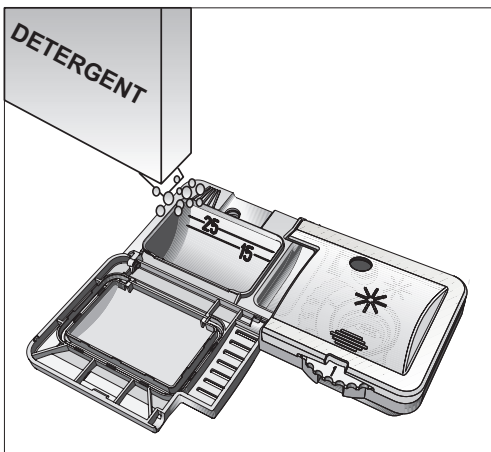
7.1 FILLING THE DETERGENT DISPENSER

WARNING

- Always store your detergent in locations which are cool, dry and out of the reach of children.
- Check that the detergent dispenser is empty after the completion of each wash program.
- Dishwasher detergents can be dangerous if inhaled or swallowed. Avoid contact with skin and eyes, keep children and infirm persons away from the dishwasher when the door is opened. Consult a doctor immediately if detergent has been swallowed or inhaled.

Notice

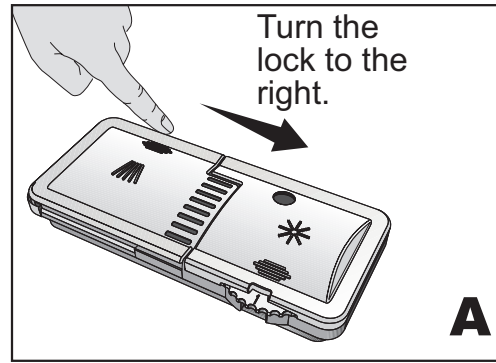
- Only use detergents suitable for dishwashers.
- Do not use detergent in Rinse & Hold cycle.
- Don't forget to pour / put the detergent into the dispenser before turning the machine on.
- Too much detergent may mean that the detergent does not dissolve properly and dishes could get scratched.
- Too much detergent in soft water may cause glass corrosion. Do not use too much detergent if your water supply is soft.



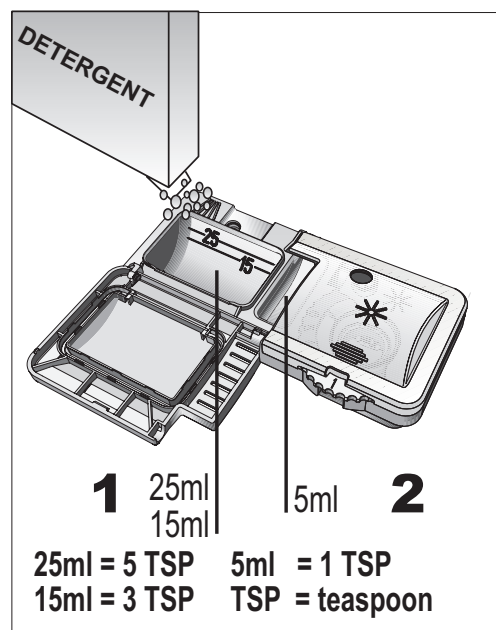
If you do not know the hardness of your water supply, use 15 ml / 3 tsp detergent. Increase the amount of detergent if you see white water marks especially on the surface of the glassware.

Find out the hardness of your water supply by asking your local water department, water softener company, or county extension agent.

1. Open the detergent container by pushing the lock to the right **A**.
2. Pour / put the detergent into the dispenser.
3. Close the lid until it clicks in.



- The detergent container holds a total of 40 ml / 8 tsp of detergent **1**.
- Marking lines on the inside of the detergent container aid in providing the correct amount of detergent. When the dishwasher is fully loaded and the dishes are very dirty, we recommend filling the detergent container up to the 25 ml / 5 tsp mark. When the dishes are less dirty, it is generally sufficient to fill the detergent up to the 15 ml / 3 tsp mark.
- The detergent amounts for the individual cleaning programs are shown in the "Quick Reference Guide - Program Table".
- Fill amounts given are for standard powder detergent. Amounts may vary if you use liquid or concentrated powder detergent. Tablet detergents should be placed in detergent container **1**, with the cover closed.
- Follow instructions on the package of the detergent when using liquid dishwasher detergent, concentrated powder detergent, or tablet detergent.
- Deviations are possible depending on how dirty the dishes are and how hard the water is in your location.
- If your dishes have been in the dishwasher for some time without being washed, also fill the smaller container **2**, up to the top.



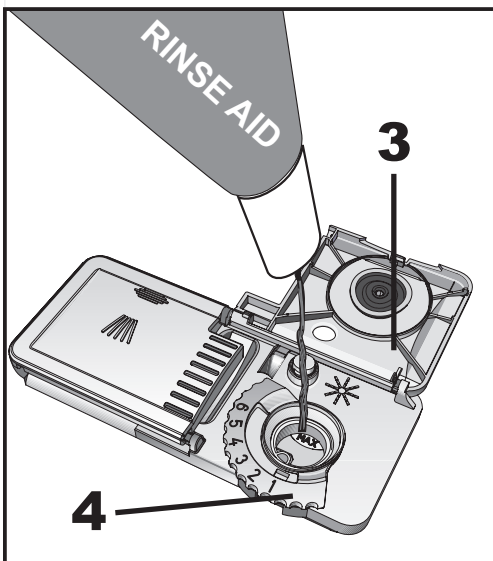
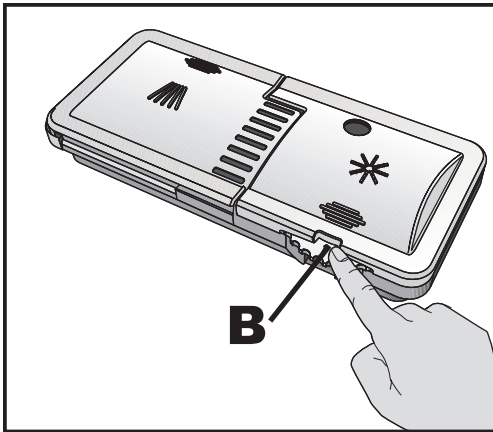
7.2 FILLING RINSE AID DISPENSER

WARNING

Keep your rinse aids out of the reach of children. Ingestion or inhalation of rinse aid may cause serious injury. Avoid contact with skin and eyes, and keep children and infirm persons away from rinse aids.

Notice

- Only use rinse aids suited for use in dishwashers. Rinse aids allow washing water to rinse off more cleanly and prevent watermarks or streaks on the dishes.
- If you use "2 in 1" or "3 in 1" detergents / tabs, you do not need additional rinse aid.



1. Open the rinse aid dispenser by pressing the lock **B**.
2. Carefully pour in rinse aid to the MAX mark.
3. Close the lid until it clicks in **3**.
4. Carefully wipe off spilled rinse aid. Excessive rinse aid causes excessive foam formation, which may hinder cleaning.

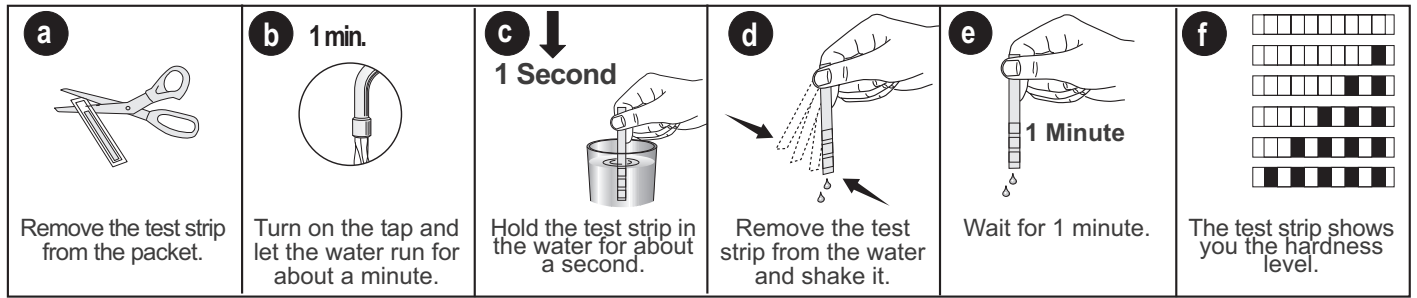
SET THE DOSE OF RINSE AID

The dose of rinse aid to be used can be set by means of the dispenser regulator **4** between levels 1 and 6.

Change the setting, only if the following applies after washing:

- Watermarks are visible on the dishes: Set dosage higher.
- Streaks are visible on the dishes: Set dosage lower.

8. SETTING THE WATER SOFTENER (DEPENDING ON MODEL)



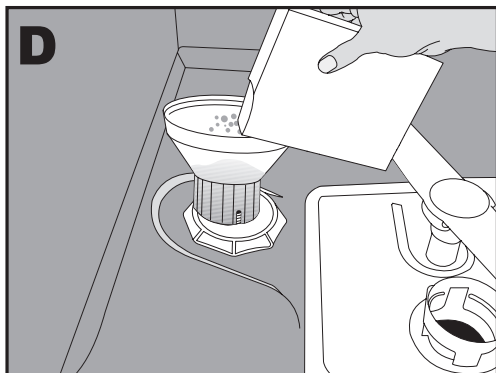
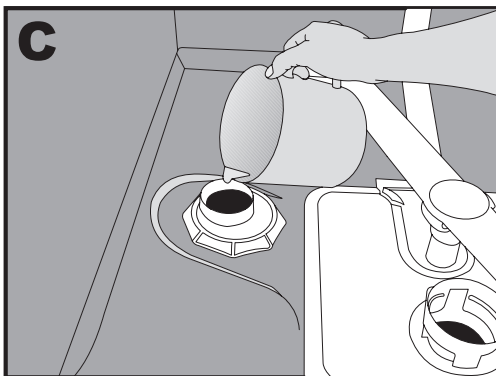
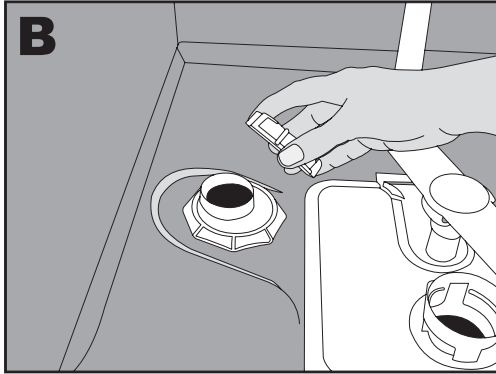
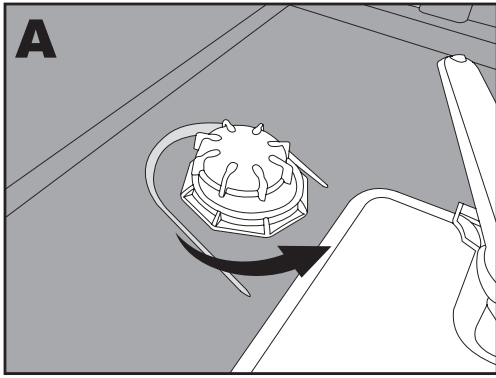
1. Press the **Cycle Select button** before you switch the appliance on and keep this button pressed down.
2. Switch the appliance on using the **On/Off button**; then release the switch.
3. Hold the **Cycle Select button** down for 10 seconds until the control indicator on the Start/Pause button begins to flash.
4. Water hardness can be set to the desired level by pressing the **Cycle Select button** (compare the test strip with the degrees of Hardness Table). The appropriate program follows up lights up.
5. Once you have set the hardness level, press the **Start/Pause button** to save the value. The control indicator on the Start/Pause button now lights up permanently.
6. Switch the appliance off again using the On/Off button.

HARDNESS TABLE

Name of unit	American	PPM	German	LED Status Indicators
Definition	1 grain of CaCO ₃ / 1 gal (US) of water	1 mg of CaCO ₃ / 1 L of water	10 mg of CaO/ 1 L of water	
1 	0-6	0-105	0-5	● Wash ○ Rinse ○ Dry ○ End Only the LED Indicator 'Wash' is lit up
2 	7-12	106-210	6-11	○ Wash ● Rinse ○ Dry ○ End Only the LED Indicator 'Rinse' is lit up
3 	13-18	211-320	12-17	○ Wash ○ Rinse ● Dry ○ End Only the LED Indicator 'Dry' is lit up
4 	19-23	321-409	18-22	○ Wash ○ Rinse ○ Dry ● End Only the LED Indicator 'End' is lit up
5 	24-36	410-624	23-34	● Wash ● Rinse ● Dry ● End All four LED indicators are lit up
6 	37-47	625-804	35-45	● Wash ● Rinse ● Dry ● End All four LED indicators are lit up

i Notice

- If the water hardness level is less than 7 American degree of hardness, you do not need any special softening salt. In this case the 'salt' control indicator lights up continually (depending on model).
- If your local hardness level exceeds 47 American degree of hardness, you should consider getting a water softening device for your dishwasher. If you use stream water or rainwater, you are advised to install filters.
- If you move do not forget to adjust the water hardness level to suit your new neighborhood.



9. FILLING THE DISHWASHER SALT DISPENSER (DEPENDING ON MODEL)

⚠ CAUTION

Never use culinary or table salt. These types of salt do not dissolve in water easily and will damage the function of the softening device.

i Notice

- Only use special dishwasher salt in your machine to soften the water.
- Do not use coarse grained salt. Small grains or powdered salt is more easily soluble.
- The manufacturer is not liable for damages resulting from the use of the wrong type of salt.

1. Remove the lower rack from the machine.
2. Open the screw-in cap of the salt container by turning it counter clockwise (Fig. **A**, **B**).
3. When operating for the first time: Pour 1 Liter of water into the salt container (Fig. **C**).
4. Pour the salt into the container with the aid of the supplied salt funnel (Fig. **D**).
Pour in enough salt to fill the container. The container holds approximately 2 kg / 4.4 pounds.
5. Close the cap tightly.

⚠ CAUTION

Begin any wash program immediately after filling the salt container. The washing program prevents damage to the machine which may be caused by any spilled salt solution.

After the first washing cycle, the salt level indicator light will go out. (depending on model)

10. CARE AND MAINTENANCE

⚠ WARNING

- Before cleaning or carrying out maintenance, switch off the appliance, disconnect the mains plug and turn off the water tap.
- Do not repair or replace any part of the dishwasher or attempt any servicing unless specifically recommended by this manual. We recommend that the dishwasher only be repaired by an authorized service agent.

⚠ CAUTION

- To avoid the possibility of slipping, keep the floor around the dishwasher clean and dry.
- Keep your appliance free from the accumulation of combustible materials, such as lint, rags, and chemicals.
- If the dishwasher is not in use for an extended period of time, we recommend you check that the baskets are empty, leave the inside of the dishwasher clean, the door cracked open to allow air to circulate, turn off both the power and water supply to the dishwasher.

10.1 CARING FOR YOUR DISHWASHER EXTERIOR

⚠ CAUTION

Possible dishwasher damage: Abrasive cleaners, scouring pads, abrasive cloths (paper towels) can damage the dishwasher decorative door.

Cleaning the control panel: Use only soft cloth that is lightly dampened with mild detergent. Clean the control panel only with a moist cloth and clear water.

Cleaning the colored doors: Use only soft cloth that is lightly dampened with mild detergent.

Cleaning the stainless steel doors: Use a soft cloth with a cleaner made for cleaning stainless steel. For the best results, apply the stainless steel cleaner to a soft cloth and wipe the surface in the direction of the grain.

Cleaning the door gasket: Regularly clean the door gasket with a damp cloth to remove food particles and other debris. Use a gentle household cleaner for the outside and the door seals, and rinse thoroughly.

10.2 CARING FOR YOUR DISHWASHER INTERIOR

i Notice

Cleaning your dishwasher at regular intervals ensures longer product life and reduces the risk of recurring problems. Always disconnect the power to machine before cleaning.

⚠ CAUTION

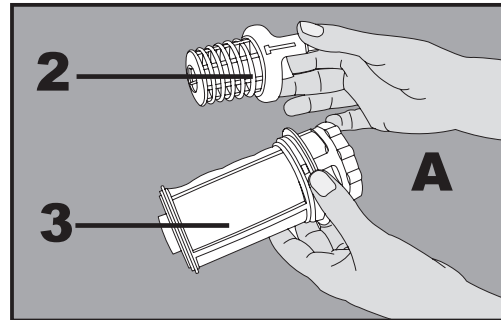
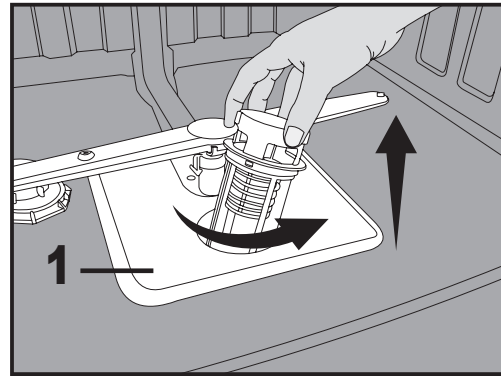
When cleaning the underside of the main filter, care must be taken on the sharp outer edge to avoid the risk of cut type injuries.

10.2.1 CLEANING THE FILTERS

Clean the filters and the spray arms regularly. A dirty dishwasher will have a negative effect on the cleaning results.

The following filters are to be cleaned:

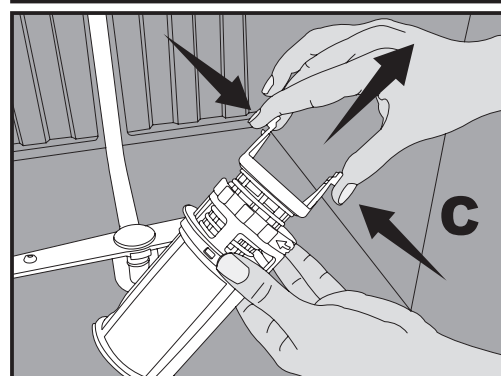
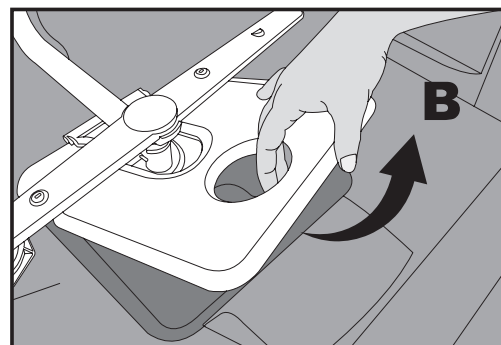
1. Main filter
2. Coarse filter
3. Micro filter



1. Remove the lower rack from the machine.
2. Turn the coarse filter counterclockwise to the left and pull it out in an upward direction **A**.
3. Pull out the main filter **B**.
4. Press on the two tabs of the coarse filter and remove the micro filter **C**.
5. Clean the filters thoroughly under running water. Use a brush if necessary.
6. Replace main filter.
7. Replace the micro filter and the coarse filter into the main filter.
8. Twist it clockwise until it clicks into the place.

⚠ CAUTION

Do not operate your dishwasher without a filter. You will damage your machine. Ensure that your filters are correctly installed.

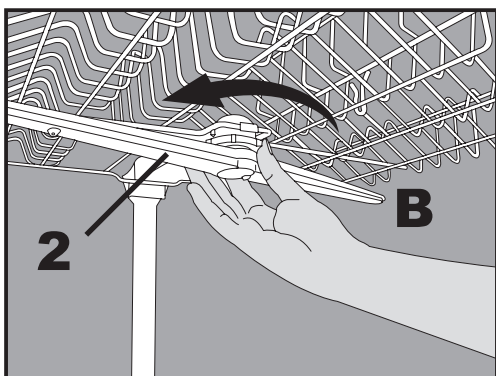
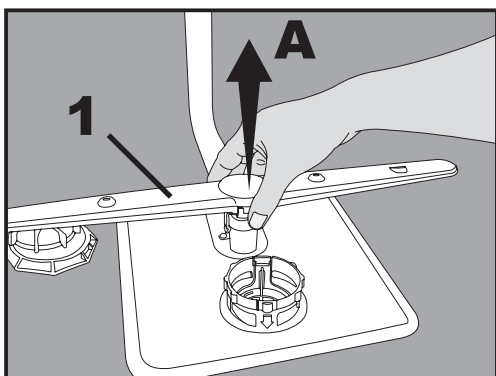


10.2.2 CLEANING THE SPRAY ARMS

i Notice

Dirt and/or calcium residue may block the nozzles on the spray arms. For this reason, regularly check the spray nozzles.

1. Lower spray arm
 2. Upper spray arm
-
1. Remove the lower rack from the machine.
 2. Pull off the lower spray arm in an upward direction **A**.
 3. Loosen the fastening screw of the upper spray arm and pull off the spray arm **B** by a downward motion.
 4. Clean the spray arms under running water.
 5. Replace the lower spray arm in a downward direction.
 6. Replace the upper spray arm and tighten the fastening screw by turning it around to the left.
 7. Insert the lower rack.



⚠ CAUTION

Ensure that the fastening screw is tight on upper spray arm.

11. TROUBLE SHOOTING

What if the dishwasher will not run :

- Is the machine plugged in?
- Are all fuses operative?
- Is the water supply fully turned on?
- Is the dishwasher door closed securely?
- Have you pressed the On/Off button?

What if the dishwasher starts but fails to circulate water within 5 seconds :

- Cancel the program by pressing the Start/Pause button for 5 seconds. See section 6. or Quick Reference Guide.

What if the door will not stay down in open position :

- Adjust door tentioners (wooden door models only, see Installation Manual)

What if the dishwasher produces poor cleaning results :

- "Follow the instructions given in the following pages"

Possible causes

- Improper loading
- Insufficient rinse aid supply
- Dishes are removed too soon
- Wrong program selection
- Washing cutlery with worn surface.



Possible causes

- Improper loading.
- Wrong program selection.
- Spray arms are not turning.
- Clogged filters.
- Filters are not placed in their proper positions.
- Spray arm nozzles are clogged.
- Overloaded racks.
- Detergent is moist or clumping in box.

The dishes are not dry

How to fix these problems

- Load the dishwasher as suggested in this manual.
- Increase the dosage amount of rinse aid and/or refill the rinse aid dispenser.
- Do not empty your dishwasher immediately after washing. Open the door slightly so that the steam can escape. Begin with unloading the dishwasher when the dishes are only hand warm. Empty the lower rack first. This prevents water from dripping off dishes in the upper rack.
- In short period programs, the wash temperature and therefore the cleaning performance is lower. Choose a program with a longer washing time.
- Evaporation of water is more difficult with these items. Cutlery or dishes of this type is not suited for dishwashers.

The dishes are not clean

How to fix these problems

- Load the dishwasher as suggested in this manual.
- Select a program that washes at a higher temperature or takes a longer amount of time.
- Check if the spray arms are blocked from moving freely.
- Clean all filters as described in this manual.
- Check if all filters are placed in their proper positions.
- Clean the spray arms as described in this manual.
- Do not overload the racks.
- Store detergents in a dry location. Close the lid of the container securely.

Possible causes

- Too little detergent.
- Too little rinse aid.
- The lid of the detergent dispenser remained open.
- Washing cutlery with worn surface quality



Possible causes

- Wrong program selection.
- Detergent is moist or clumping in box.
- Using cutlery with a low surface quality.



Possible causes

- Insufficient rinse aid supply
- The hardness is not selected properly; too little salt is being used.
- Salt loss (models with salt container)

How to fix these problems

- Increase the amount of the detergent as per the program table.
- Increase the amount of rinse aid and/or refill the rinse aid dispenser.
- Always ensure that you close the detergent dispenser lid after pouring in the detergent.
- Cutlery of this type is not suited to dishwashers.

Tea, coffee or other stains

How to fix these problems

- Select a program that washes at a higher temperature or takes a longer amount of time.
- Bleaches in cleaners lose their efficiency when stored under unfavorable conditions. Store detergents in a dry location. Close the lid of the container securely.
- Cleaning of these items is made difficult by their poor surface structure. Cutlery or dishes of this type are not for dishwashers.

Calcium streaks, misty appearance

How to fix these problems

- Increase the dosage amount of rinse aid and/or refill the rinse aid dispenser.
- Call water supplier and ask for local hardness in grains per gallon or ppm. Use a higher phosphate content detergent for hard water.
- Check whether the lid of the salt container is firmly closed. Use the funnel to pour in special salt. Begin the Rinse and Hold program right after filling in salt. After the program is complete, check whether the lid may have loosened.

Possible causes

- Smell of new machine.
- Filters are dirty.
- Dirty dishes standing in the machine for a few days without being washed.
- Dirty door gasket.



Possible causes

- Excessive use of detergent when water hardness is low.

Smell

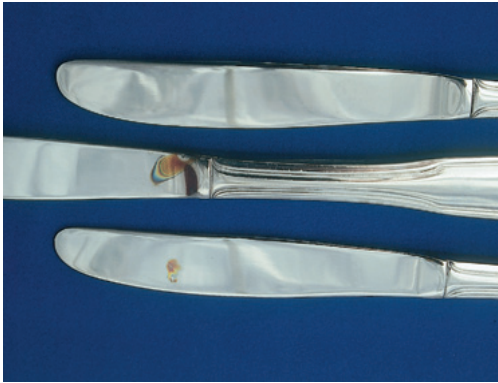
How to fix these problems

- The smell of a new machine disappears after a few wash cycles with detergent.
- Clean all filters as described in this manual.
- Remove coarse dirt under running water and run the Rinse and Hold program every 2 days without detergent.
- Regularly clean the door gasket with a damp cloth to remove food particles and other debris. Use a gentle household cleaner for the outside and the door seals, and rinse thoroughly.

Milky appearance or rainbow on the glasses (glass corrosion)

How to fix these problems

- Add a smaller amount of detergent.
- Compare the water hardness level setting on the dishwasher against the stated values from the local water supplier.
- When water hardness is low (below 7 American degree of hardness or 106 parts per million), do not use salt even if your dishwasher has a water softener.
- Use a lower phosphate content detergent.



Possible causes

- The lid of the salt container is not closed securely. Salt loss. (models with salt container)
- Food leftovers are staying on the dishes for too long.
- The machine is not grounded properly.
- Cutlery parts from low-grade rust-free steel.
- Dish items with rust stains.



Possible causes

- Fading of decoration on glasses and porcelain.

Rust stains, destruction of the surface

How to fix these problems

- Salt can destroy metal surfaces and cause rust damage.
- Check whether the lid of the salt container is firmly closed. Use the funnel to pour in special salt. Begin the Rinse and Hold program right after filling in salt. After the program is complete, check whether the lid may have loosened.
- Remove coarse dirt under running water and carry out the Rinse and Hold program every 2 days without detergent.
- Check the grounding of the system. Static electricity may eat holes into metal and cause irreparable damages to surfaces.
- Rust on such items cannot be avoided. Cutlery or dishes of this type are not suited for the dishwasher.
- Rusty dishes may “infect” other items. Cutlery or dishes of this type are not suited for the dishwasher.

Fading of glasses, china, porcelain pattern

How to fix these problems

- Glasses, porcelain and cutlery of this type are not suited for the dishwasher.



Possible causes

- Moisture in the detergent dispenser.
- Detergent stays in the dispenser of the dishwasher for too long
- The lid of the detergent dispenser does not open.
- Detergent is moist or clumping in box.
- Spray arm nozzles are clogged.
- Spray arms are blocked by dishware
- Was the cycle terminated early.

Detergent residue remains in the dispenser

How to fix these problems

- Ensure that the detergent dispenser is dry before filling it.
- Pour the detergent in just before washing.
- When loading the dishwasher, take care to ensure that you do not accidentally block detergent cup with large dishware or utensils.
- Store detergents in a dry location. Close the lid of the container carefully.
- Clean the spray arms as described in this manual.
- Make sure spray arms rotate freely.
- Terminating the cycle early can leave detergent residue in the dispenser.



Possible causes

- Improper loading.
- Overloaded racks.

Dishes break

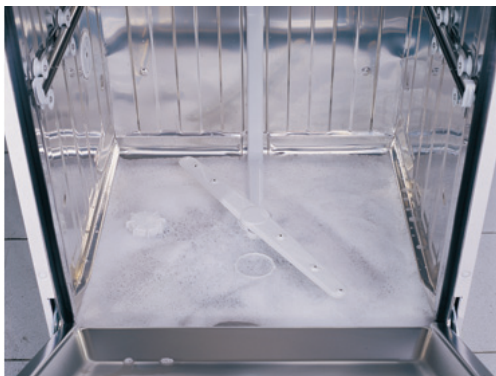
How to fix these problems

- Load the dishwasher as suggested in this manual.
- Do not overload the dish rack. Dishes may hit against each other and break.



Possible causes

- Dish items/parts made from aluminium.
- The lid of the salt container is not closed securely. Salt loss. (models with salt container)
- The hardness is not selected properly; too little salt is being used.
- Detergents are being stored under unfavourable conditions.
- Overloaded racks.



Possible causes

- The dishes are pre-washed by hand with a large amount of dish detergent.
- Rinse aid has accidentally leaked into the machine.
- The cover of the rinse aid dispenser is not closed securely.

Scratched dishes

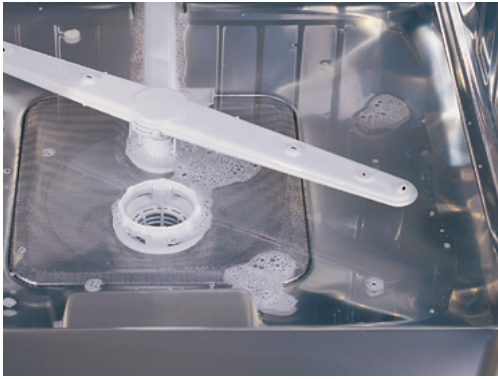
How to fix these problems

- Dishes and cutlery of this type are not suited for the dishwasher.
- Check whether the lid of the salt container is firmly closed. Use the funnel to pour in special salt. Begin the Rinse and Hold program right after filling in salt. After the program is complete, check whether the lid may have loosened.
- Call water supplier and ask for local hardness in grains per gallon or ppm. Adjust the water hardness level setting accordingly.
- Detergents should not be stored longer than 2 months in open packages. Store detergents in a dry location. Close the lid of the container carefully.
- Take care to ensure that individual glasses and dishes do not touch. They may hit against each other during the washing process, causing scratches.

Foam

How to fix these problems

- Dishes do not need to be pre-washed. Coarse dirt may be removed with a dishcloth, or you may hold the dishes under running water.
- If rinse aid has been spilled during refilling, remove the aid using a paper cloth or sponge.
- Always take care to ensure that the lid is closed after refilling the rinse aid dispenser.



Possible causes

- Clogged filters.
- Drain hose kinked or clogged.

Water remains inside the machine after the rinse cycle

How to fix these problems

- Clean all filters as described in this manual.
- Ensure that the drain hose is properly placed and open.

12. TECHNICAL FEATURES

Load capacity	12 place settings
Permissible water pressure	4.35 - 145 psi (0.3 - 10 bars)
Electrical connection	120 V (volts), 12 A (amps), 60 Hz (hertz)
Total power	1200 W (watts)
Heater power	1000 W (watts)

i Notice

Because we continually strive to improve our products, we may change our specifications and design without prior notice. This device corresponds to the following directives:

UL 749 Household Dishwasher directive.

13. WARRANTY STATEMENT FOR THE BLOMBERG DISHWASHERS

The warranties provided by Blomberg in these statements only apply to Blomberg dishwashers sold to the original purchaser or homeowner in the US and Canada. **The warranty is not transferable.** To obtain warranty service, please contact our nearest distributor as listed by state. You will need your dishwasher model number, serial number, retailer name and address, where purchased and purchase date / installation date. This warranty gives you specific legal rights, and you may also have other rights which vary from state to state.

1 year * limited warranty from date of first installation

Blomberg will repair or replace at no cost to the consumer any defective parts of the dishwasher if used under normal household conditions (**warranty is void if the product is used commercially e.g., bed + breakfast, nursing home etc.**). Service must also be performed by an authorized Blomberg service agency. (Cosmetic defects must be reported within 10 business days from installation)

2 year * ++ limited warranty from date of first installation

(Parts only) Blomberg will repair or replace any parts at no cost to the consumer if material defects or workmanship have caused the damage or failure of these components. **Again the dishwasher must have been used under normal household conditions and not commercially as stated above (Labor charges are the responsibility of the consumer)**

5 year * ++ limited warranty from date of first installation

(parts only 2-5 years) Blomberg will repair or replace any circuit boards or nylon dishwasher racks (**excluding any plastic rack attachments**) at no cost to the consumer if material defects or workmanship have caused the damage or failure of these components. **The dishwasher must have been used under normal household conditions and not commercially (Labor charges are the responsibility of the consumer)**

Lifetime limited warranty from date of first installation *++

(parts only) Blomberg will repair or replace to the **original owner** the stainless steel tub or door if rust through occurs **under normal household use and normal water conditions (no excessive chlorine)**. Blomberg may, at its option, also replace the whole dishwasher with the same and/or equivalent model with equal or better functionality if the original model is no longer available. (**Labor, removal and installation charges are the responsibility of the consumer.**)

Disclaimers of warranties and exclusions:

Warranty does not cover service costs by an authorized service agent to correct installation, electrical and plumbing problems or educational instruction on the use of the dishwasher. The warranty also does not cover defects or damage caused by an act of god (such as storms, floods, fires, mudslides, etc.), damage cause by use of the dishwasher for purposes other than those for which it was designed, misuse, abuse, accident, alteration, improper installation, maintenance, travel fees, service calls outside normal service hours, unauthorized service work or work.

TO THE EXTENT PERMITTED BY LAW, THIS WARRANTY IS IN LIEU OF ALL OTHER EXPRESSED AND IMPLIED WARRANTIES, INCLUDING THE IMPLIED WARRANTIES OF MERCHANTABILITY AND FITNESS FOR A PARTICULAR PURPOSE. BLOMBERG UNDERTAKES NO RESPONSIBILITY FOR THE QUALITY OF THIS PRODUCT EXCEPT AS OTHERWISE PROVIDED IN THIS WARRANTY STATEMENT. BLOMBERG ASSUMES NO RESPONSIBILITY THAT THE PRODUCT WILL BE FIT FOR ANY PARTICULAR PURPOSE FOR WHICH YOU MAY BE BUYING THIS PRODUCT, EXCEPT AS OTHERWISE PROVIDED IN THIS WARRANTY STATEMENT.

Blomberg does not assume any responsibility for incidental or consequential damages. Such damages include, but are not limited to, loss of profits, loss of savings or revenue, loss of use of the dishwasher or any associated equipment, cost of capital, cost of any substitute equipment, facilities or services, downtime, the claims of third parties, and injury to property. Some states do not allow the exclusion or limitation of incidental or consequential damages, so the above limitations or exclusion may not apply to you.

*** installation date shall refer to either purchase date or 5 business days after delivery of the product to the home, whichever is later.**

++ parts replaced will assume the identity of the original parts + their original warranty.

No Other Warranties. This Warranty Statement is the complete and exclusive warranty from the manufacturer. No employee of Blomberg or any other party is authorized to make any warranty in addition to those made in this Warranty Statement.

14. HOW TO GET SERVICE

Please contact the Distributor for your State or Province as listed on the Distributor Contact List, or call our Toll Free Number at **1 800 459 9848** for direction to an Authorized Blomberg Service Agent.

