

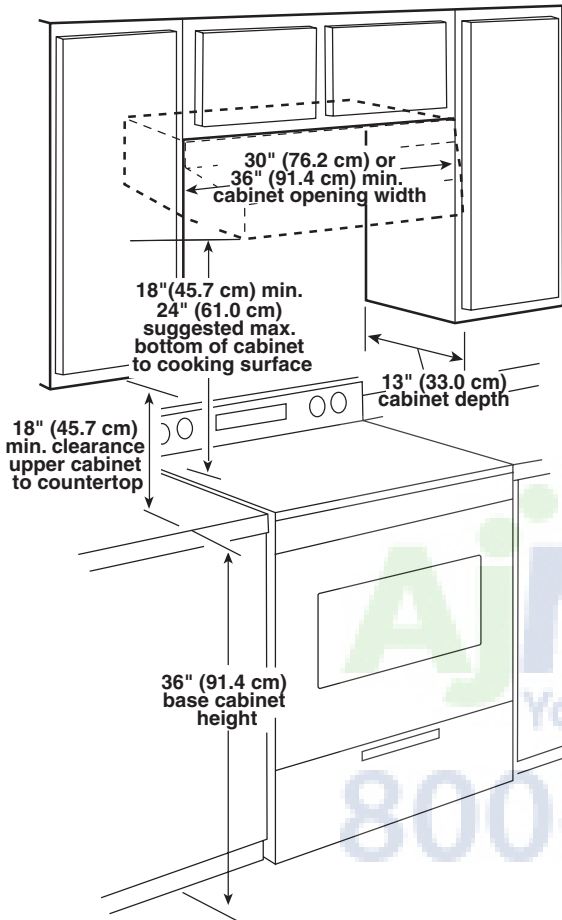
# Range Hood - 30" (76.2 cm) and 36" (91.4 cm)

## PRODUCT MODEL NUMBERS

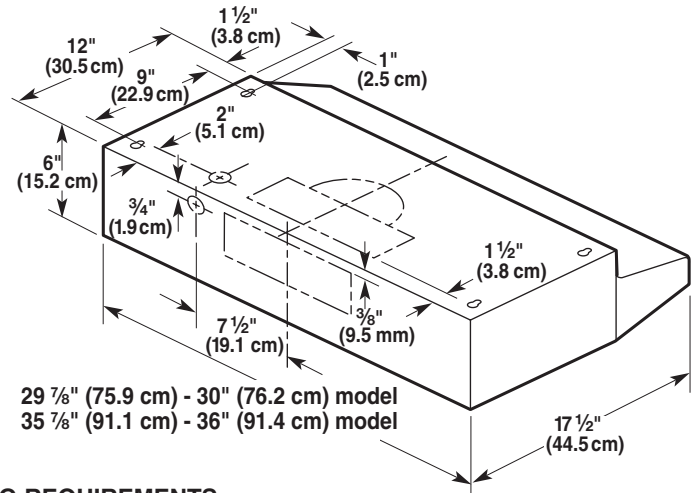
UXT4830AA  
UXT4836AA

**Electrical:** A 120 Volt, 60 Hz., AC only, 15-amp, fused electrical circuit is required.

## CABINET OPENING DIMENSIONS

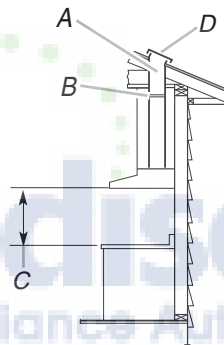


## OVERALL DIMENSIONS



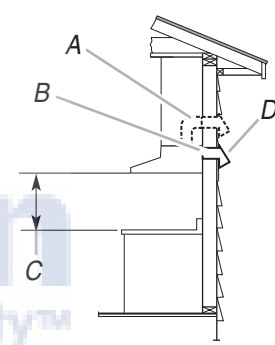
## VENTING REQUIREMENTS

### Roof Venting



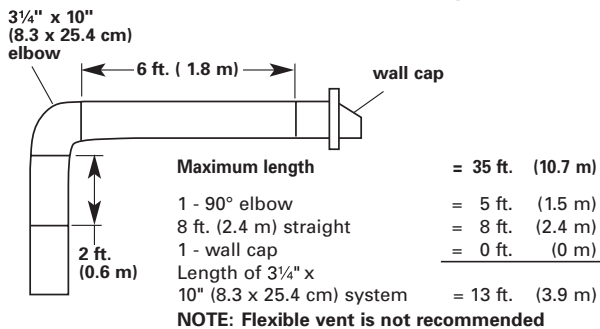
- A. 7" (17.8 cm) round vent or a 3 1/4" x 10" (8.3 x 25.4 cm) vent through roof
- B. Round vent: use 7" (17.8 cm) round damper (purchased separately)
- C. 18" (45.7 cm) - 24" (61.0 cm) above cooking surface
- D. Roof cap

### Wall Venting

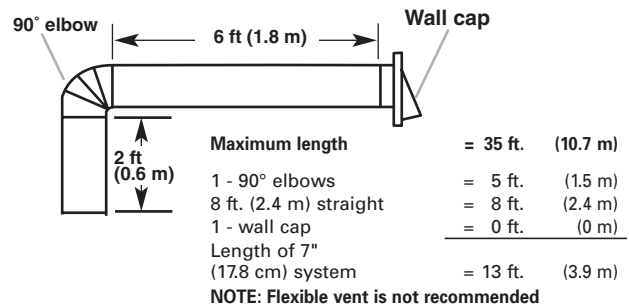


- A. 7" (17.8 cm) round vent or a 3 1/4" x 10" (8.3 x 25.4 cm) vent through the wall
- B. 3 1/4" x 10" (8.3 x 25.4 cm) through the wall
- C. 18" (45.7 cm) - 24" (61.0 cm) above cooking surface
- D. Wall cap

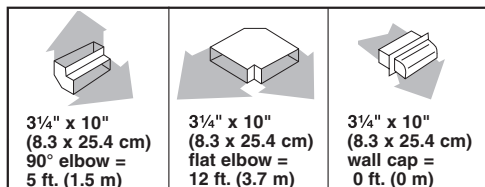
### 3 1/4" x 10" (8.3 x 25.4 cm) vent system



### 7" (17.8 cm) vent system



### 3 1/4" x 10" (8.3 x 25.4 cm) vent system



### 7" (17.8 cm) vent system

