

SERVICES SPECIFICATIONS

WATER CONNECTION

Recommended HOT (Maximum 140°F/60°C).
Supplied hose to suit 3/8" male compression fitting.

WATER SOFTENER MODELS

Refer to your DishDrawer® User Guide for how to set up your water softener.

WATER PRESSURE

	Maximum	Minimum
Water Softener Models	145 p.s.i. (1000kPa)	14.5 p.s.i. (100kPa)
Other Models	145 p.s.i. (1000kPa)	4.3 p.s.i. (30kPa)

DRAIN CONNECTION

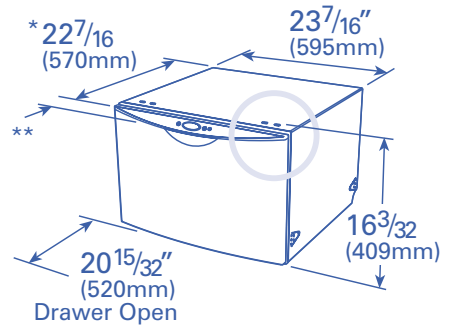
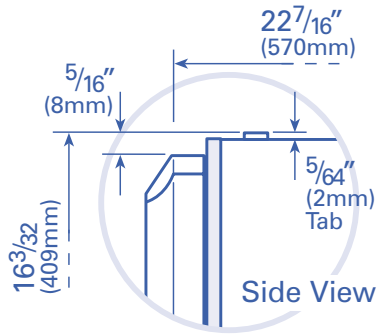
Drain Hose Joiner to suit Ø3/4" ± 5/64" and Ø5/8" ± 5/64" waste tees.

ELECTRICAL CONNECTION

110-120 VAC power outlet, 4.5 Amps Minimum.

WEIGHT

Full 93 lb (42kg) Prefinished
Empty 62 lb (28kg) Prefinished



Prefinished model shown

*For an Integrated DishDrawer® the product depth is specified with an 1 1/16" (18mm) Integrated Panel thickness.

** Depth of product excludes Curvature 1 3/16" (30mm) - prefinished only, or Handle.

LENGTH OF SERVICES (FROM PRODUCT EXIT POINT)

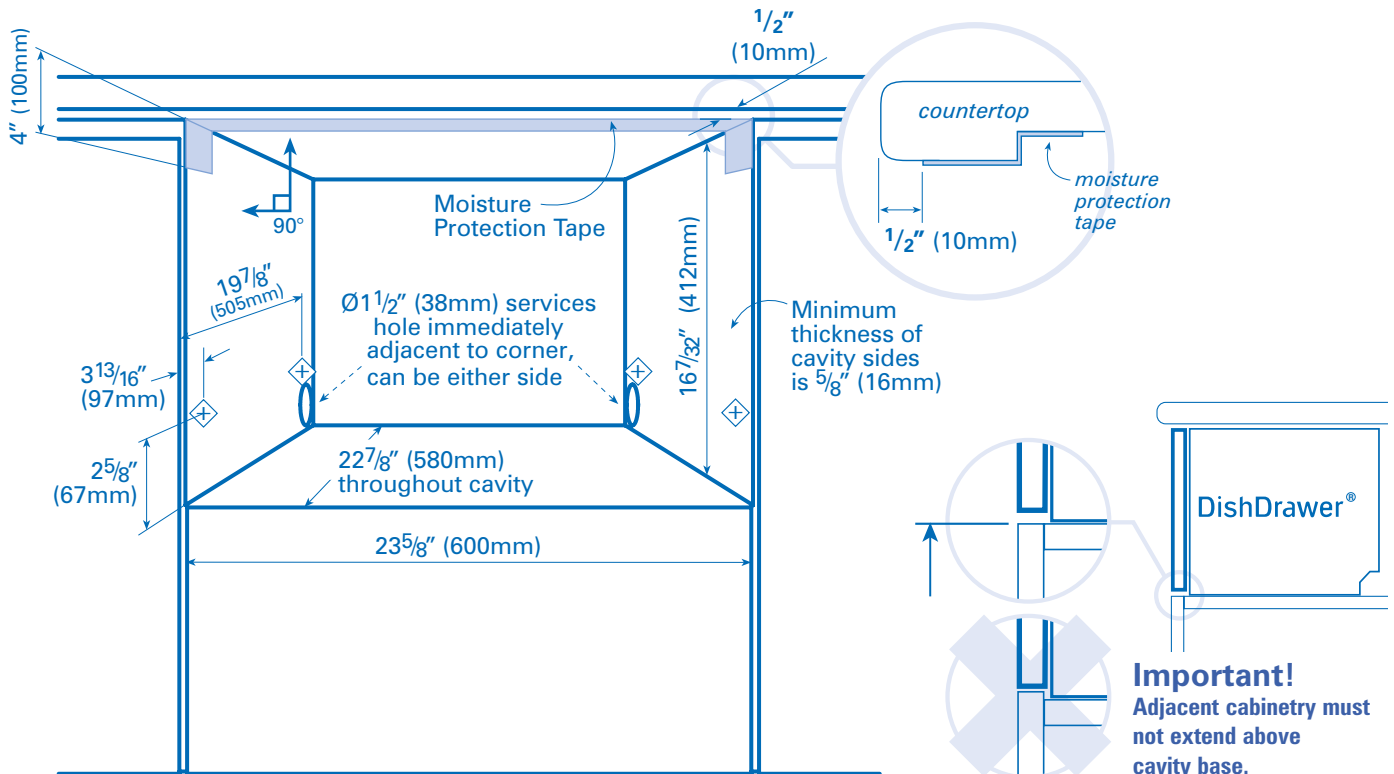
Drain hose - 88 9/16" (2250mm)

Inlet hose - 68 7/8" (1750mm)

Power supply cord - 44" (1965mm)

NOTE: Services approximately exit product 7 7/16" (189mm) from left; 2 1/8" (550mm) from front; 1 1/2" (393mm) from top.

THE CAVITY



◆ These marks indicate mounting tab screw locations (refer to step 1 page 7)

NOTE: All depth measurements are taken from the front face of the adjacent cabinetry.

NOTE: To align drawer front to adjacent cabinetry, the product to countertop clearance can be increased from 1/8" (3mm).

⚠ WARNING!

Be sure the edges of the services hole are smooth or covered. If the services hole is through a metal partition the hole must be protected with the Edge Protector provided to prevent damage to the power cord or hoses.

Important!
Adjacent cabinetry must not extend above cavity base.