

- Pro-Style Design with Seamless Finish in Every Edge and Corner
- 25.6 cu.ft Largest Capacity
- ENERGY STAR® Qualified
- Stainless Steel Tall Ice & Water Dispenser
- Versatile Interior Design
- Sliding Door Baskets, Removable Drawers, Slam-Proof™ Drawers
- Soft Closing Door
- ThinQ®
- 2 Year Limited Warranty



Control Panel



Dispenser



ThinQ App



CAPACITY		SMART FEATURES	
Refrigerator (cu.ft.)	16.25	Wi-Fi Enabled	Yes
Freezer (cu.ft.)	9.35	ThinQ®	Yes
Total (cu.ft.)	25.6	Proactive Customer Care	Yes
FEATURES		Voice Control	Google Assistant, Amazon Alexa
Energy Rating	ENERGY STAR® Qualified	SmartDiagnosis™	Yes
Energy Consumption	762 kwh/year	Remote Monitoring	Yes
Ice & Water Dispenser	Yes	TECHNICAL SPECS	
Dispenser Type	External Ice & Water Dispenser	Required Power Supply	115V, 60Hz, 15Amp
Daily Ice Production	3.5 lbs/ 3.8 lbs	Plug Type	3-Prong
Ice System	SpacePlus™ Ice System	Power Cord Location	Top
Ice Storage Capacity	4.0 lbs	Min./Max. Water Pressure	40-120psi
Dispenser Light	Yes	MATERIALS AND FINISHES	
Water Filtration System	LT700P	Surface	Stainless Steel
Smart Inverter Compressor	Yes	Available Colors	Stainless Steel (ST)
CONVENIENCE		Handles	LG Signature Design
Display Type	Smooth Touch Control/ White LED	DIMENSIONS	
Temperature Controls	Electronic/ Digital	Depth with Handles	27 7/8"
Door Alarm	Yes	Depth without Handles	25 3/8"
Child Lock	Yes	Depth without Door	22 1/2"
Auto Closing Door Hinge	Yes, Soft Closing Door Hinge	Depth (Total with Door Open)	48 5/16"
ADA Compliant	No	Height to Top of Case	83 1/2"
Sabbath Mode	No	Width	42"
LoDecibel™ Quiet Operation	Yes	Width (Door Open 90° with Handle)	45 9/16"
REFRIGERATOR		Width (Door Open 90° without Handle)	41"
No. of Shelves	4 + Crisper Cover	Installation Clearance	Sides 1/4", Top 1/4", Back 1/6"
Shelf Construction	Tempered Glass	Cabinet Dimensions Cut-Out Size	41 1/2" x 83 3/4" x 24"
Crisper Bins	3 (2 Magic Crispers)	Weight (Unit/ Carton)	542 lbs. / 615 lbs.
Refrigerator Light	Premium LED	Carton Dimensions (WxHxD)	44 1/10" x 90 3/5" x 30 1/10"
REFRIGERATOR DOOR		LIMITED WARRANTY	
No. of Door Bins	5 Easy Moving Bins (1 Covered Dairy Corner)	Parts and Labor	2 Years
Door Bin Construction	3 Piece (Clear+Opaque+Spray Deco)	Sealed System (Parts & Labor)	5 Years
Handle Type	LG Signature Handle	Compressor (Parts & Labor)	5 Years
FREEZER		Smart Inverter Compressor (Parts Only)	6-10 Years
No. of Shelves	4	UPC CODE	
Drawers	3	US26WBB92S	48231350532
No. of Door Bins	2		
Freezer Light	Premium LED		

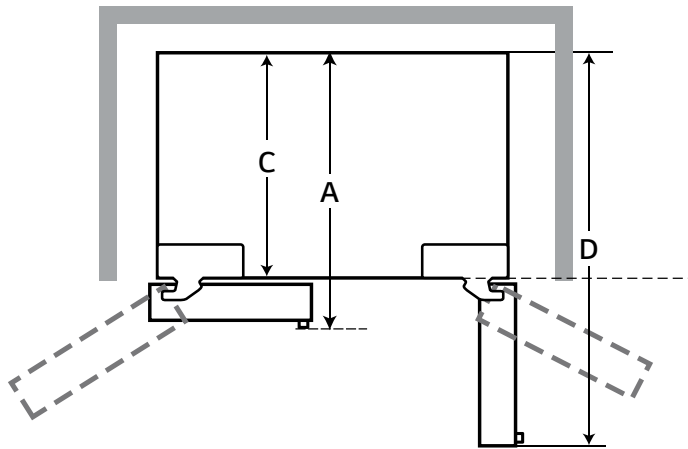
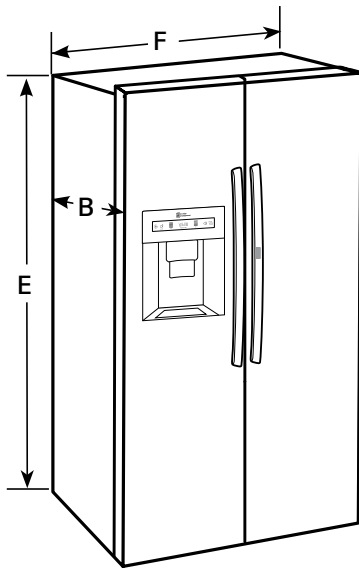
US26WBB92S

42" Built-In Side-By-Side Refrigerator

QUICK INSTALL & CLEARANCES

For full installation directions/clearances please refer to the corresponding User Manual and Installation Guide.

PRODUCT DIMENSIONS

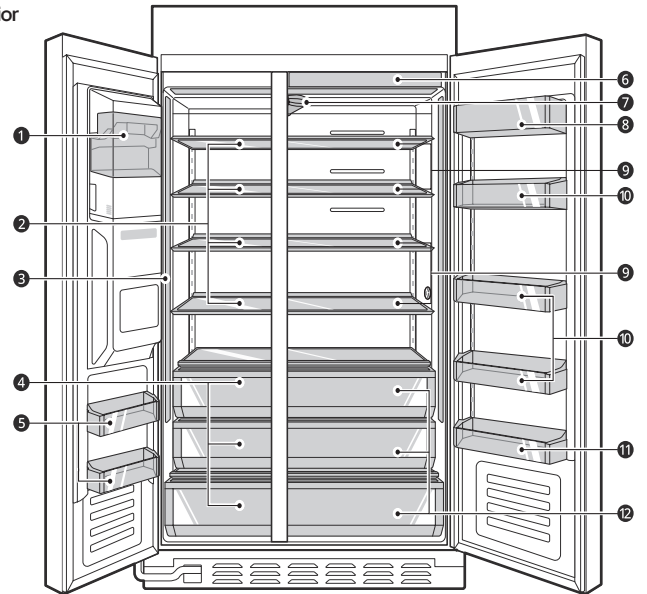


DIMENSION / CLEARANCE

A	Depth without Door	22 1/2"
B	Depth with Handle	27 7/8"
C	Depth without Handles	25 3/8"
D	Depth (Total with Door Open)	48 5/16"
E	Height to Top of Case	83 1/2"
F	Width	42"
	Width (Door Open 90° with Handle)	45 9/16"
	Width (Door Open 90°) without Handle	41"
	Installation Clearance	Side 1/4", Top 1/4", Back 1/6"
	Cabinet Dimension Cut-Out Size	41 1/2" x 83 3/4" x 24"
	Carton Dimensions (WxHxD)	44 1/10" x 90 3/5" x 30 1/10"

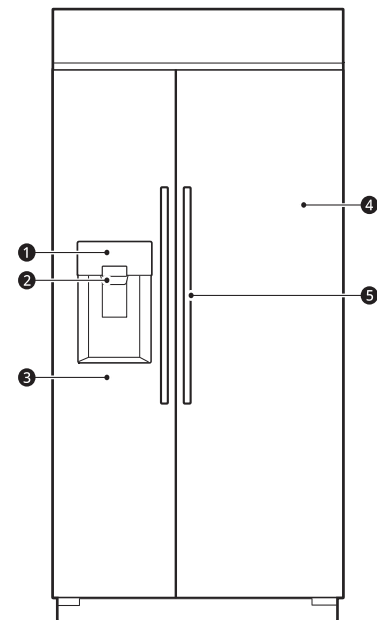
PRODUCT OVERVIEW

Interior



- 1 Automatic Ice maker - Produces ice automatically
- 2 Adjustable Freezer Shelf - The shelves in the freezer are adjustable to meet individual storage needs
- 3 LED Interior Lighting - Lights up the inside of the refrigerator
- 4 Freezer Drawer - Use for long-term storage of frozen items
- 5 Freezer Door Bin - Stores small packages of frozen food. Do not store ice cream or food which will be stored for a long period of time.
- 6 Control Panel - Sets the refrigerator temperature and freezer temperature
- 7 Water Filter - Purifies Water
- 8 Dairy Bin - Dairy bin is specially designed for cheese, butter and condiment storage
- 9 Adjustable Fridge Shelf - The shelves in the fridge are adjustable to meet individual storage needs.
- 10 Adjustable Door Bin - Store small packages of refrigerated foods, drinks and sauce containers. The adjustable door bins are removable for easy cleaning and adjustment
- 11 Gallon Bin - Stores larger containers, such as gallons of milk
- 12 Crisper - Stores vegetables and fruits

Exterior



- 1 Dispenser Control Panel - Sets the dispenser mode.
- 2 Filtered Water and Ice Dispenser - Dispenses purified water and ice
- 3 Refrigerator - Fresh food compartment
- 4 Freezer - Frozen food compartment
- 5 Handle - Opens and closes the refrigerator and freezer doors.