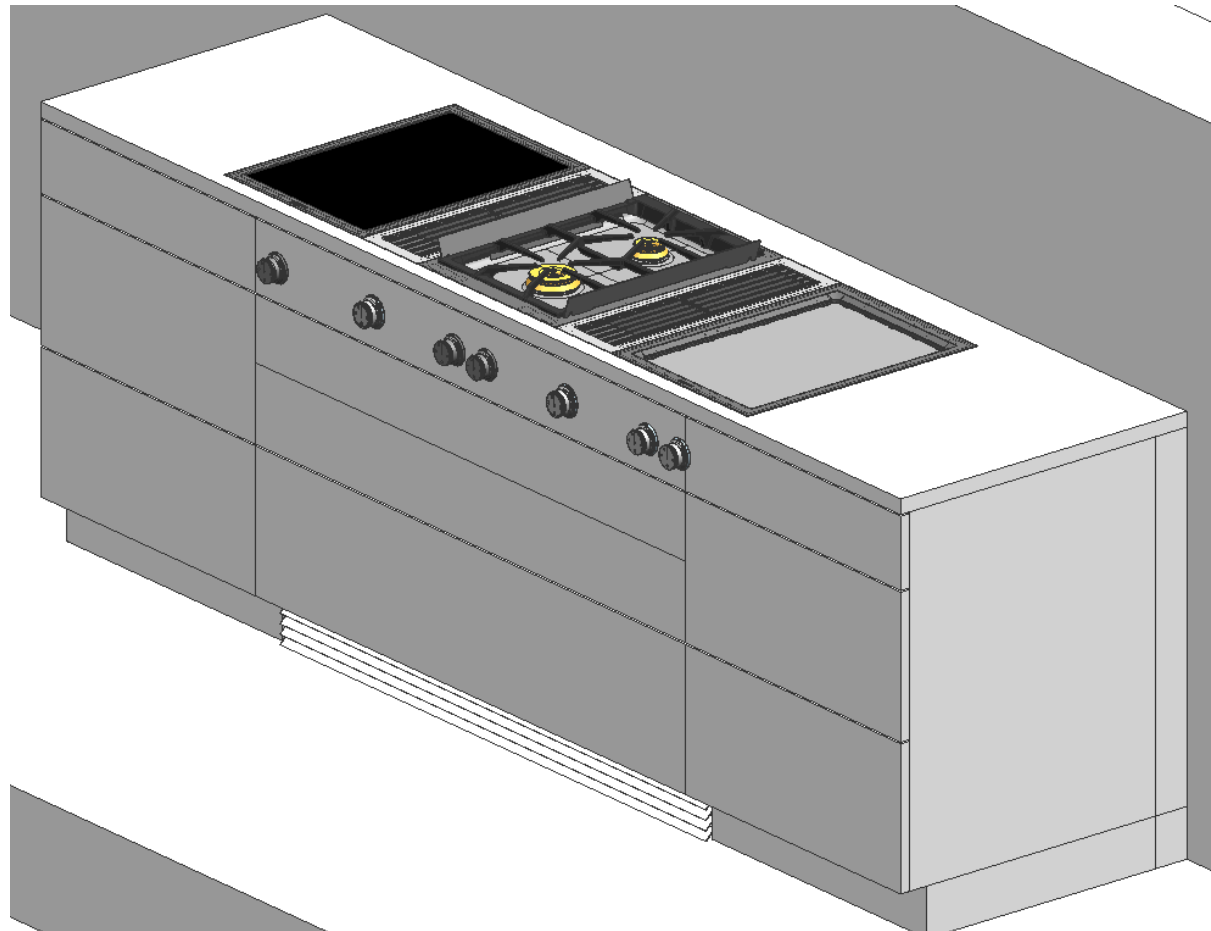


17 January 2023

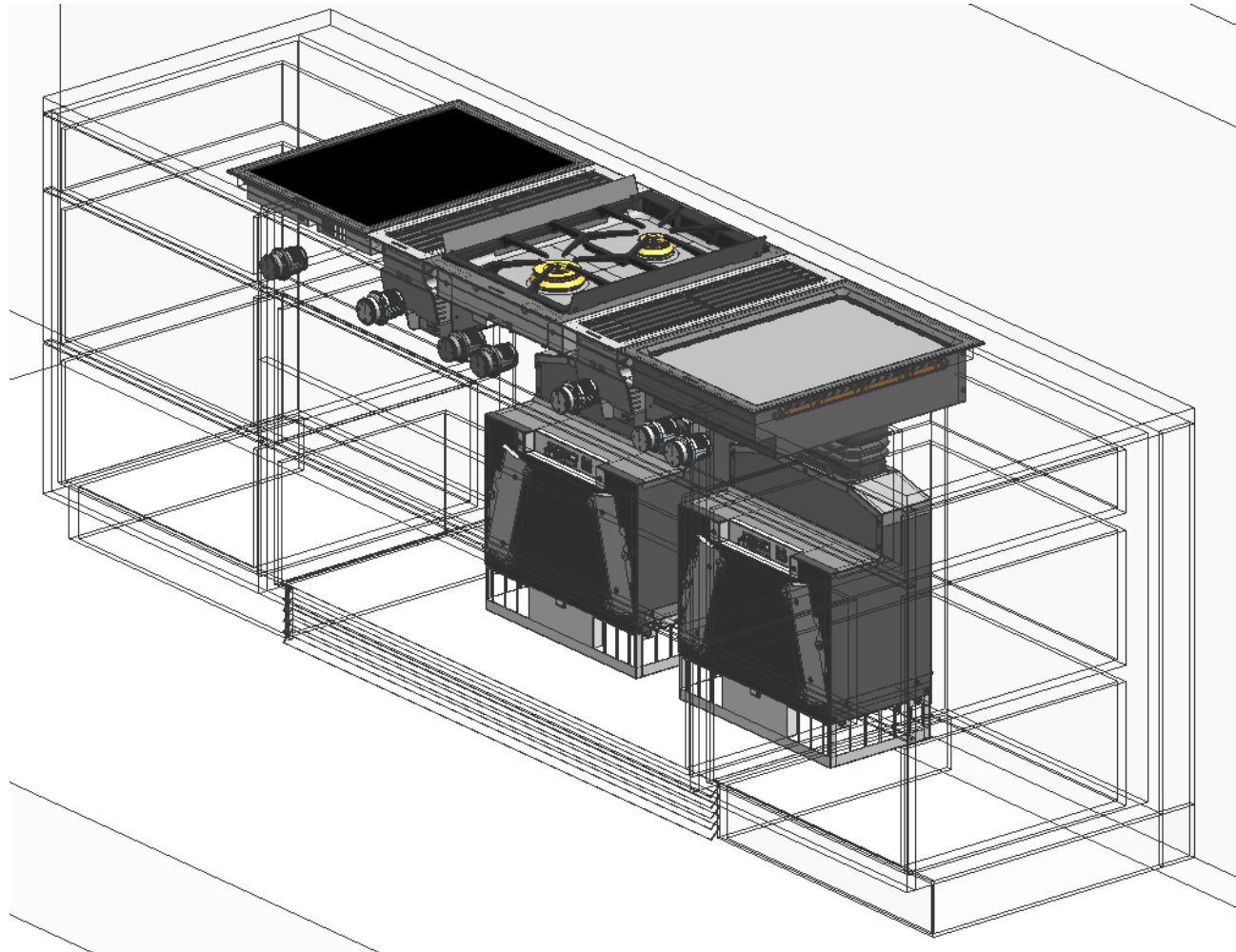
Configuration	2x VL 414 712 - 2x AR 410 710 - 3 Varios	Min. Work depth	25 ⁹ / ₁₆ " (650 mm)	Ventilation mode	Air recirculation
Type reference cooktops	VI 414 613 - VG 425 211CA - VP 414 611	Type reference ventilation appliance	VL 414 712	Type reference remote fan unit	AR 410 710



17 January 2023

Configuration	2x VL 414 712 - 2x AR 410 710 - 3 Varios	Min. Work depth	25 ⁹ / ₁₆ " (650 mm)	Ventilation mode	Air recirculation
Type reference cooktops	VI 414 613 - VG 425 211CA - VP 414 611	Type reference ventilation appliance	VL 414 712	Type reference remote fan unit	AR 410 710

Installation view



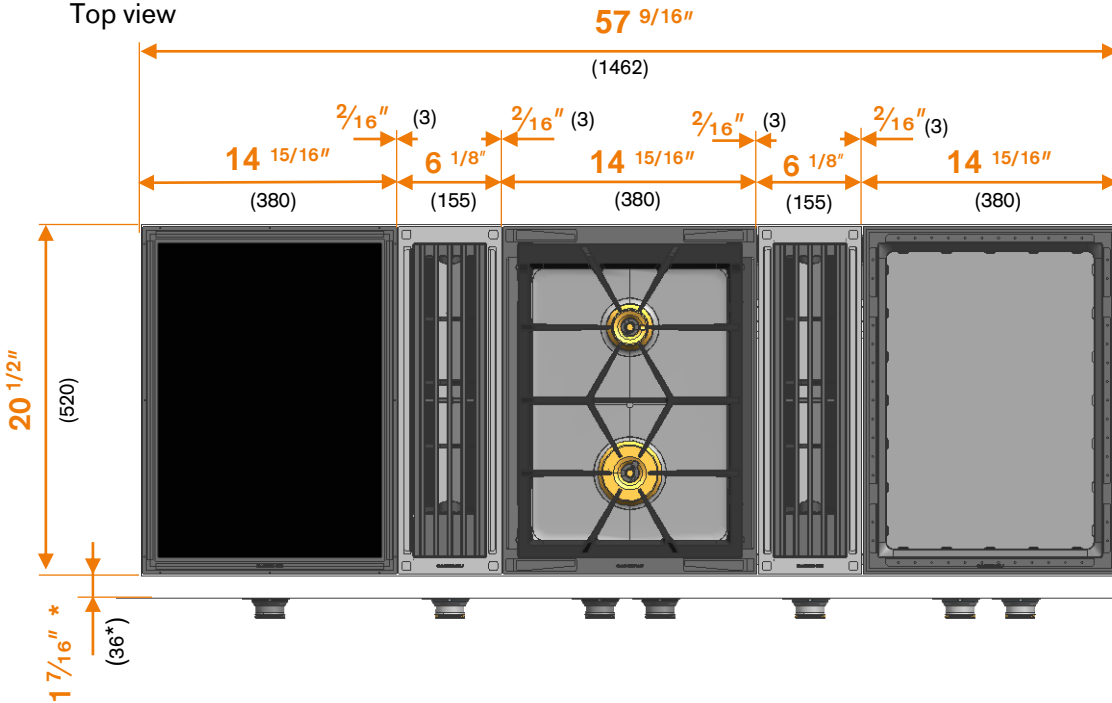
BSH Hausgeräte GmbH, Carl-Wery-Straße 34, 81739 Munich, Germany
 Chairman of the Supervisory : Prof. Dr. Stefan Asenkerschbaumer
 Directors : Dr. Carla Kriwet (Chairman), Dr. Gerhard Dambach, Matthias Ginthum, Dr. Silke Maurer
 Registered Office : Munich; Registry Court : Amtsgericht München, HRB 75534 WEEE-Reg.-Nr. DE 57986696

The drawing is provided only as an example.
 Please pay attention to the technical installation drawings in the Gaggenau Models and Dimensions. The technical drawings are not based on customer data and are merely for installation recommendation. The exact installation must be verified by the kitchen studio on an individual customer basis.

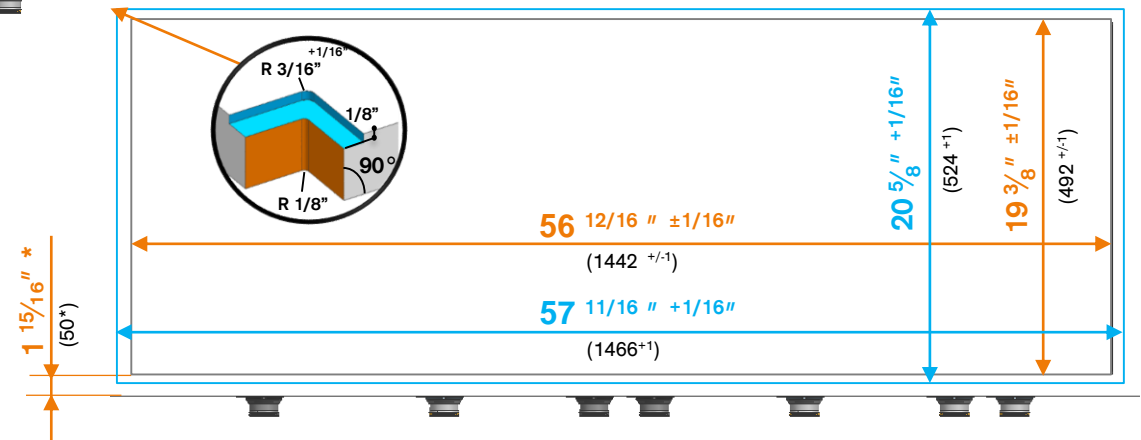
17 January 2023

Configuration	2x VL 414 712 - 2x AR 410 710 - 3 Varios	Min. Work depth	25 ⁹ / ₁₆ " (650 mm)	Ventilation mode	Air recirculation
Type reference cooktops	VI 414 613 - VG 425 211CA - VP 414 611	Type reference ventilation appliance	VL 414 712	Type reference remote fan unit	AR 410 710

Top view



Cut out dimension. Flush mounting



* : Recommended distance. Distance can be adjusted
(inside parenthesis) = mm

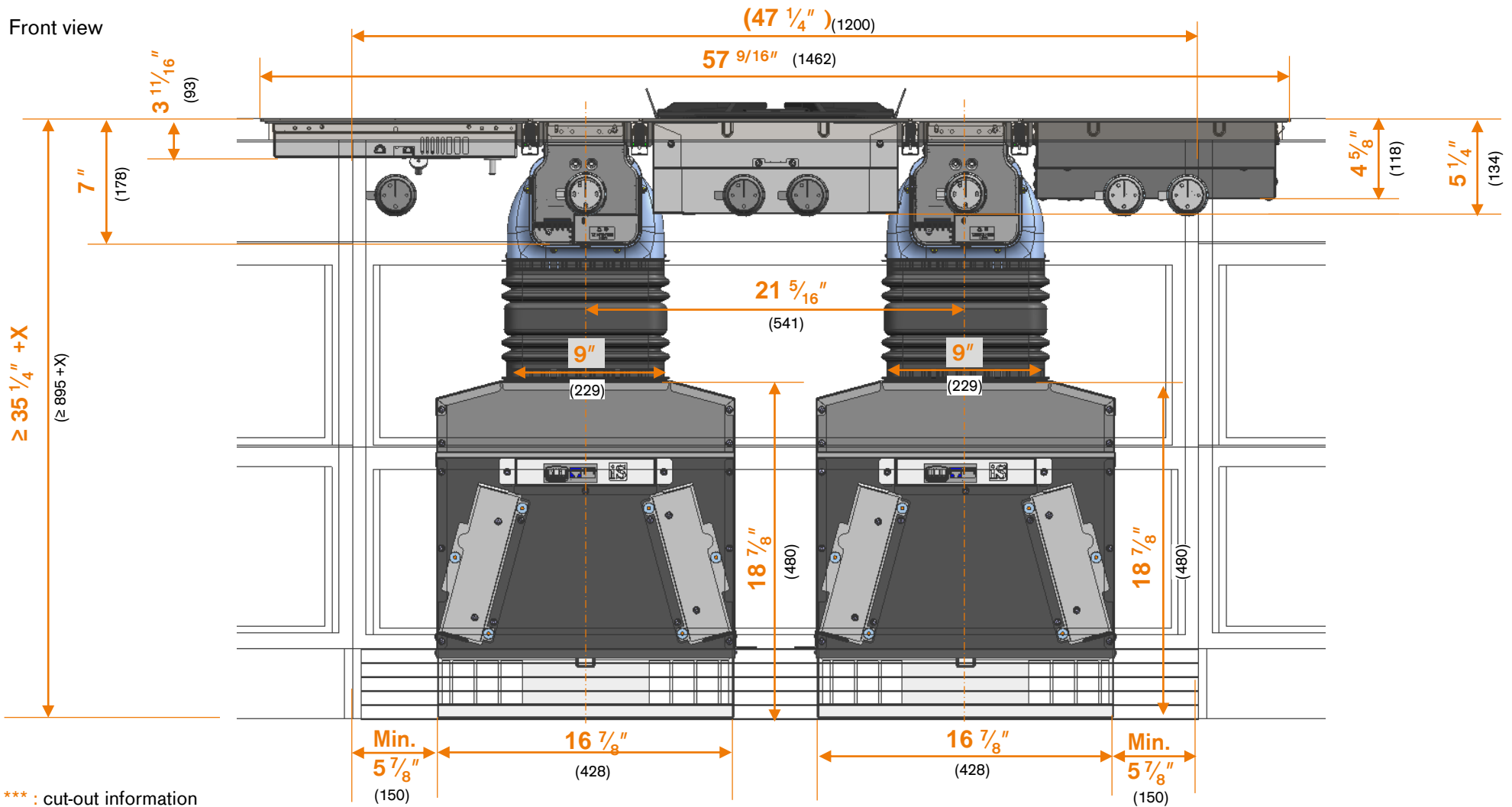


BSH Hausgeräte GmbH, Carl-Wery-Straße 34, 81739 Munich, Germany
 Chairman of the Supervisory : Prof. Dr. Stefan Asenkerschbaumer
 Directors : Dr. Carla Kriwet (Chairman), Dr. Gerhard Dambach, Matthias Ginthum, Dr. Silke Maurer
 Registered Office : Munich; Registry Court : Amtsgericht München, HRB 75534 WEEE-Reg.-Nr. DE 57986696

The drawing is provided only as an example.
 Please pay attention to the technical installation drawings in the Gaggenau Models and Dimensions. The technical drawings are not based on customer data and are merely for installation recommendation. The exact installation must be verified by the kitchen studio on an individual customer basis.

17 January 2023

Configuration	2x VL 414 712 - 2x AR 410 710 - 3 Varios	Min. Work depth	25 9/16" (650 mm)	Ventilation mode	Air recirculation
Type reference cooktops	VI 414 613 - VG 425 211CA - VP 414 611	Type reference ventilation appliance	VL 414 712	Type reference remote fan unit	AR 410 710



*** : cut-out information
(inside parenthesis) = mm

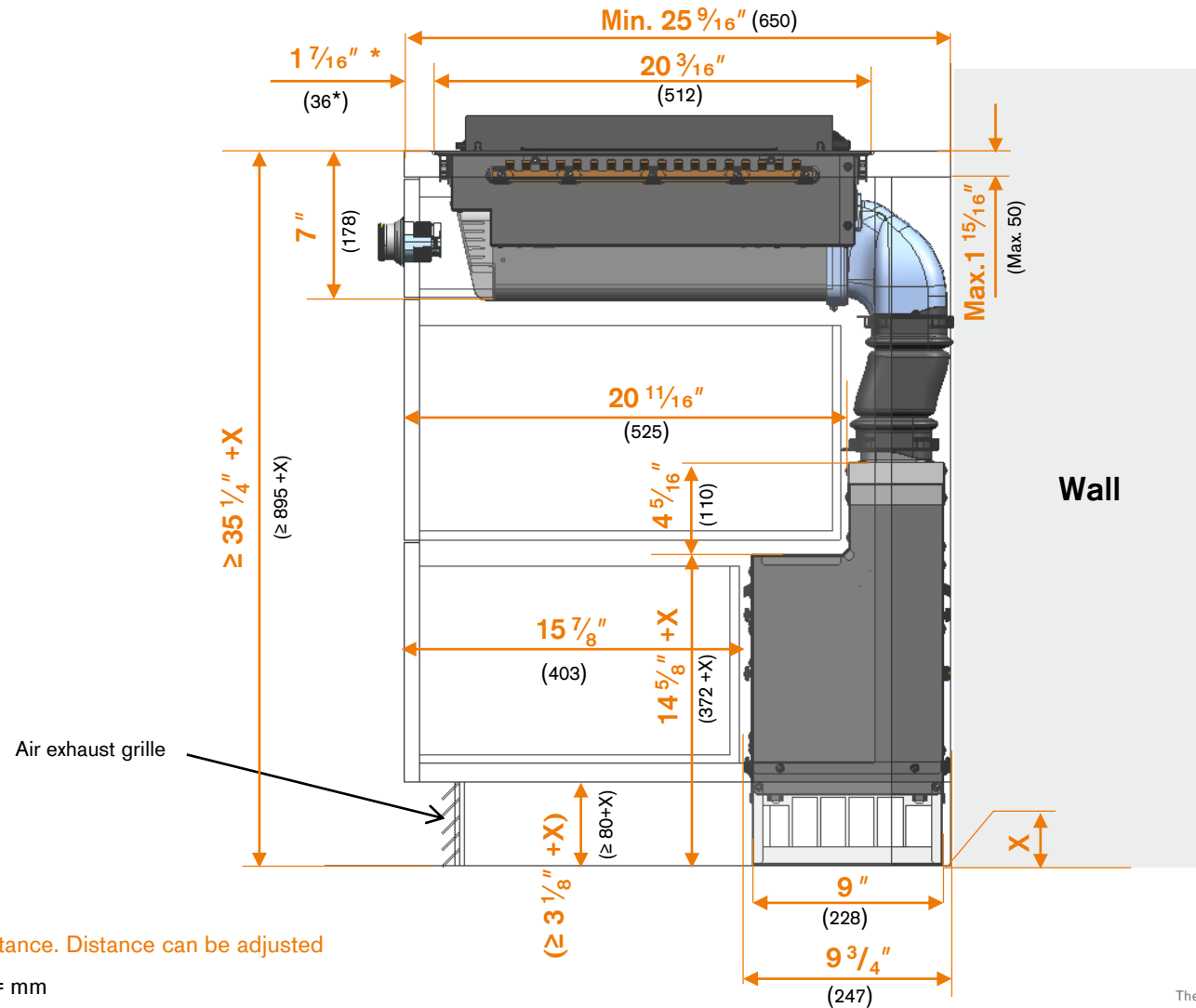


BSH Hausgeräte GmbH, Carl-Wery-Straße 34, 81739 Munich, Germany
 Chairman of the Supervisory : Prof. Dr. Stefan Asenkerschbaumer
 Directors : Dr. Carla Kriwet (Chairman), Dr. Gerhard Dambach, Matthias Ginthum, Dr. Silke Maurer
 Registered Office : Munich; Registry Court : Amtsgericht München, HRB 75534 WEEE-Reg.-Nr. DE 57986696

The drawing is provided only as an example.
 Please pay attention to the technical installation drawings in the Gaggenau Models and Dimensions. The technical drawings are not based on customer data and are merely for installation recommendation. The exact installation must be verified by the kitchen studio on an individual customer basis.

Configuration	2x VL 414 712 - 2x AR 410 710 - 3 Varios	Min. Work depth	25 9/16" (650 mm)	Ventilation mode	Air recirculation
Type reference cooktops	VI 414 613 - VG 425 211CA - VP 414 611	Type reference ventilation appliance	VL 414 712	Type reference remote fan unit	AR 410 710

Front view

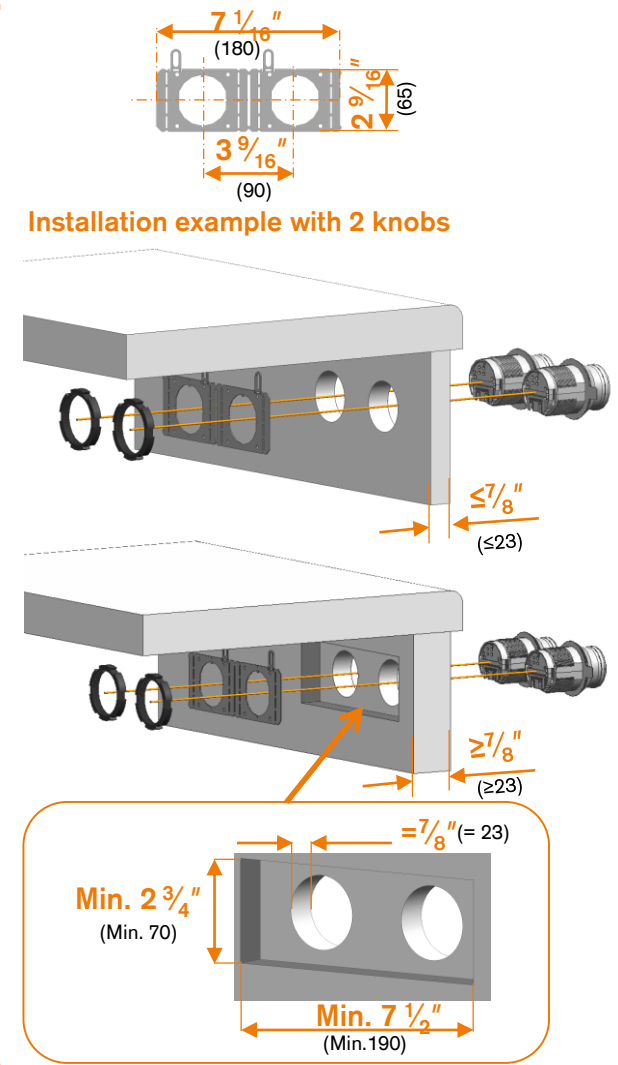
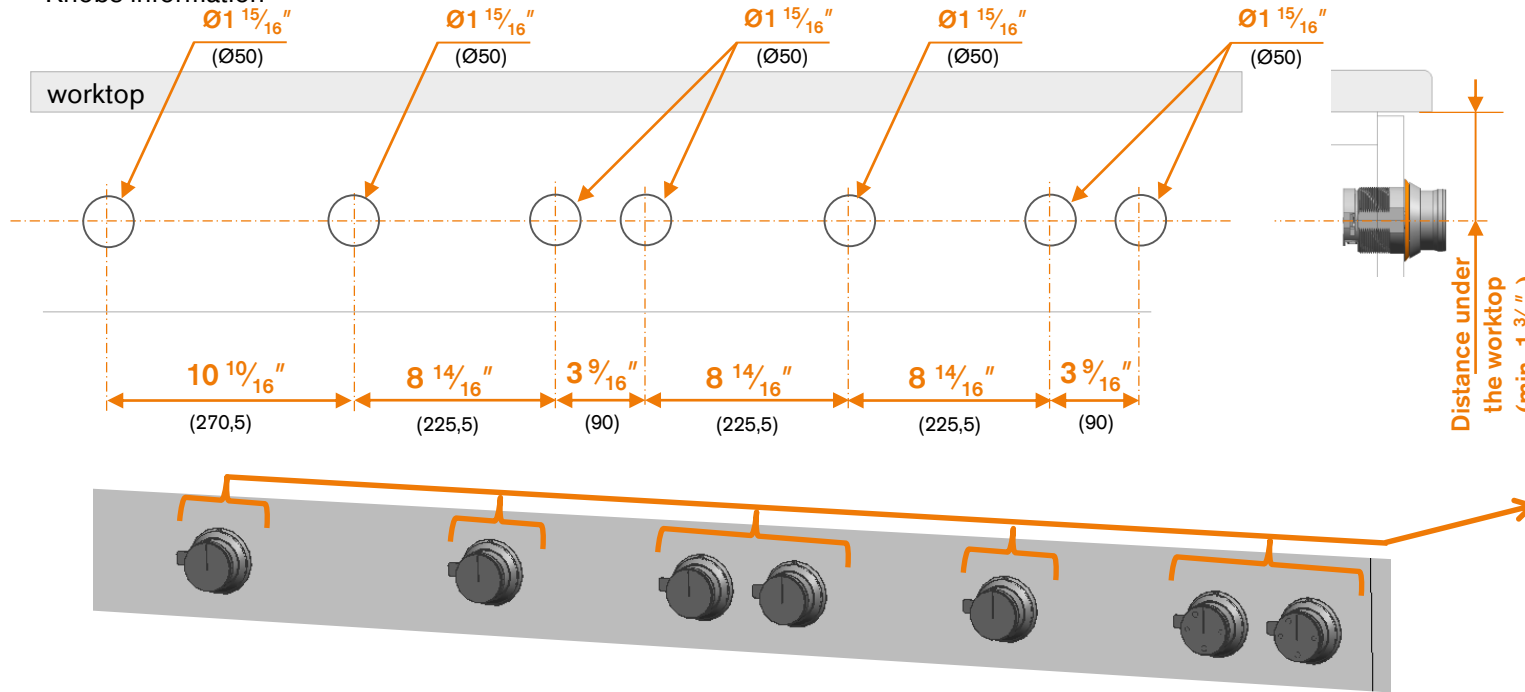


* : Recommended distance. Distance can be adjusted

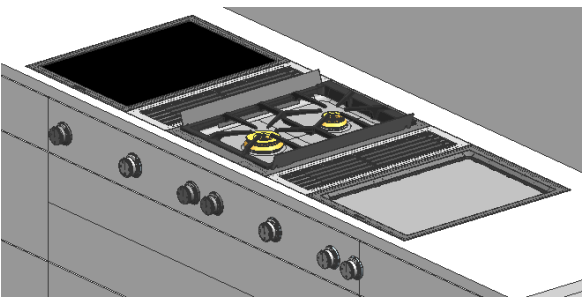
(inside parenthesis) = mm

Configuration	2x VL 414 712 - 2x AR 410 710 - 3 Varios	Min. Work depth	25 9/16" (650 mm)	Ventilation mode	Air recirculation
Type reference cooktops	VI 414 613 - VG 425 211CA - VP 414 611	Type reference ventilation appliance	VL 414 712	Type reference remote fan unit	AR 410 710

Knobs information



Installation example with 2 knobs

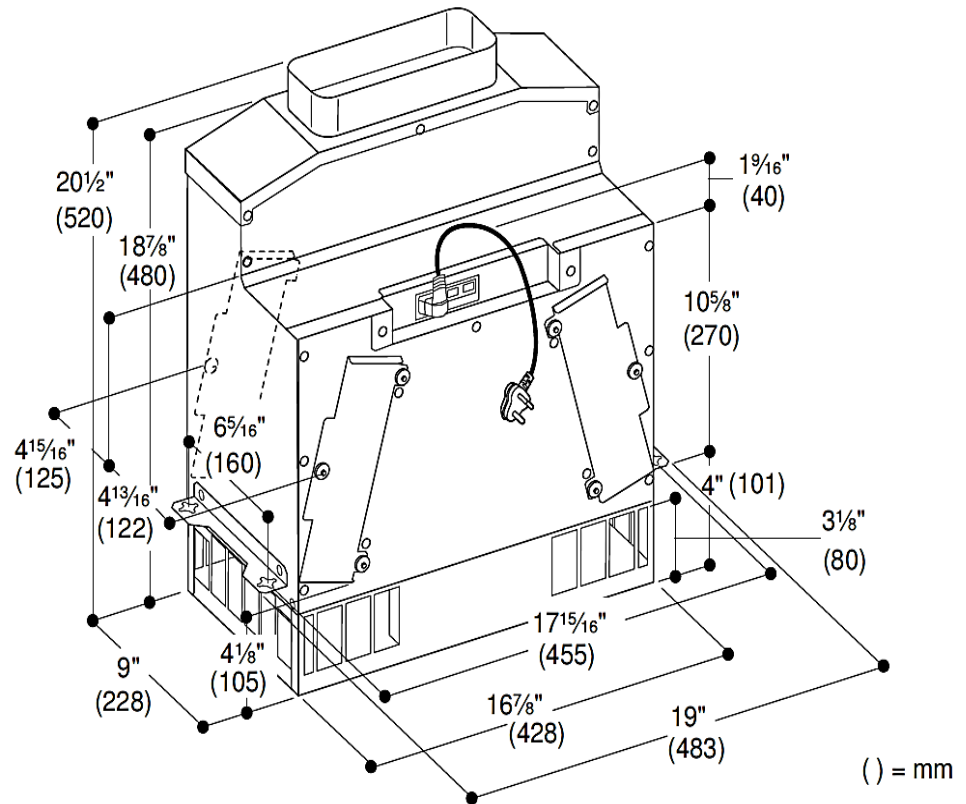


BSH Hausgeräte GmbH, Carl-Wery-Straße 34, 81739 Munich, Germany
 Chairman of the Supervisory : Prof. Dr. Stefan Asenkerschbaumer
 Directors : Dr. Carla Kriwet (Chairman), Dr. Gerhard Dambach, Matthias Ginthum, Dr. Silke Maurer
 Registered Office : Munich; Registry Court : Amtsgericht München, HRB 75534 WEEE-Reg.-Nr. DE 57986696

The drawing is provided only as an example.
 Please pay attention to the technical installation drawings in the Gaggenau Models and Dimensions. The technical drawings are not based on customer data and are merely for installation recommendation. The exact installation must be verified by the kitchen studio on an individual customer basis.

Configuration	2x VL 414 712 - 2x AR 410 710 - 3 Varios	Min. Work depth	25 ⁹ / ₁₆ " (650 mm)	Ventilation mode	Air recirculation
Type reference cooktops	VI 414 613 - VG 425 211CA - VP 414 611	Type reference ventilation appliance	VL 414 712	Type reference remote fan unit	AR 410 710

Information about remote fan unit AR 410 710



(inside parenthesis) = mm

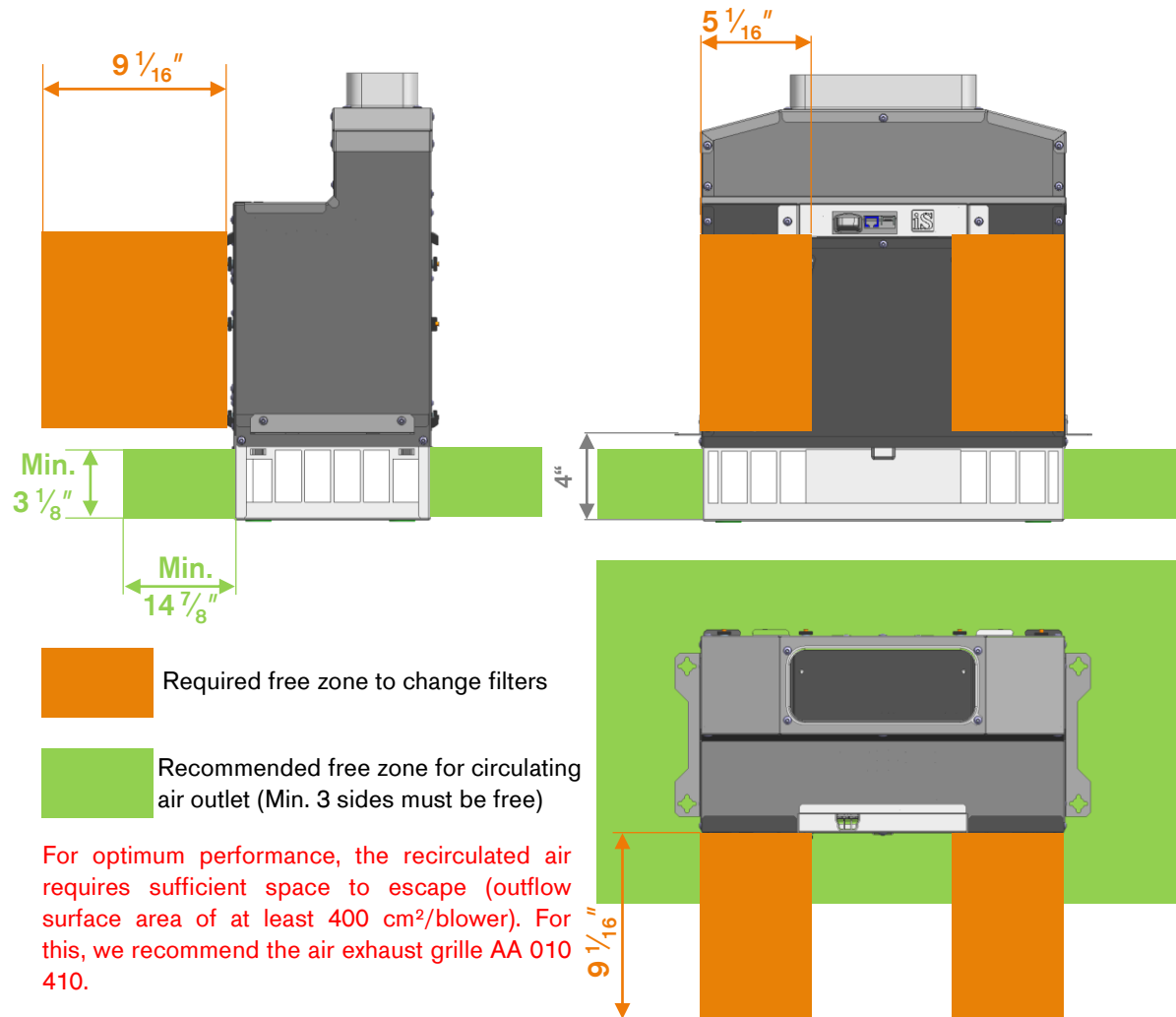
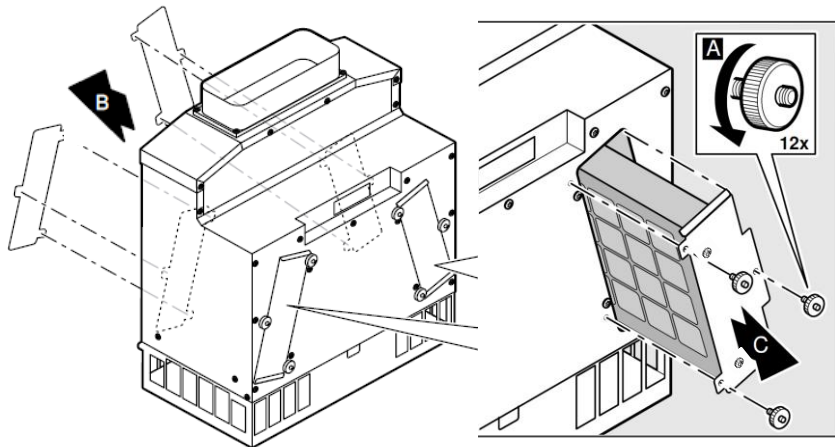
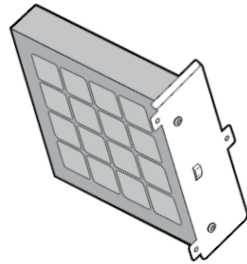
BSH Hausgeräte GmbH, Carl-Wery-Straße 34, 81739 Munich, Germany
 Chairman of the Supervisory : Prof. Dr. Stefan Asenkerschbaumer
 Directors : Dr. Carla Kriwet (Chairman), Dr. Gerhard Dambach, Matthias Ginthum, Dr. Silke Maurer
 Registered Office : Munich; Registry Court : Amtsgericht München, HRB 75534 WEEE-Reg.-Nr. DE 57986696

Configuration	2x VL 414 712 - 2x AR 410 710 - 3 Varios	Min. Work depth	25 ⁹ / ₁₆ " (650 mm)	Ventilation mode	Air recirculation
Type reference cooktops	VI 414 613 - VG 425 211CA - VP 414 611	Type reference ventilation appliance	VL 414 712	Type reference remote fan unit	AR 410 710

Information about installation

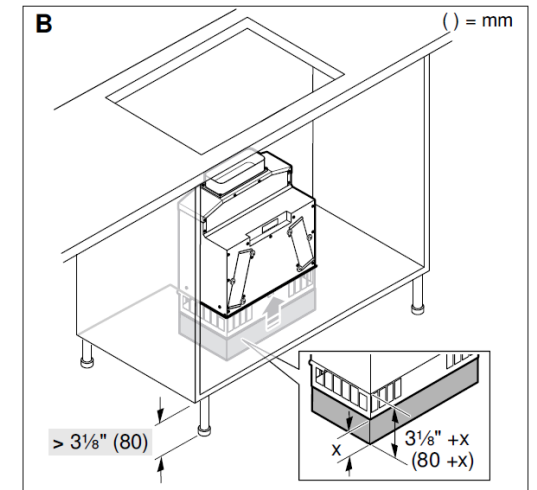
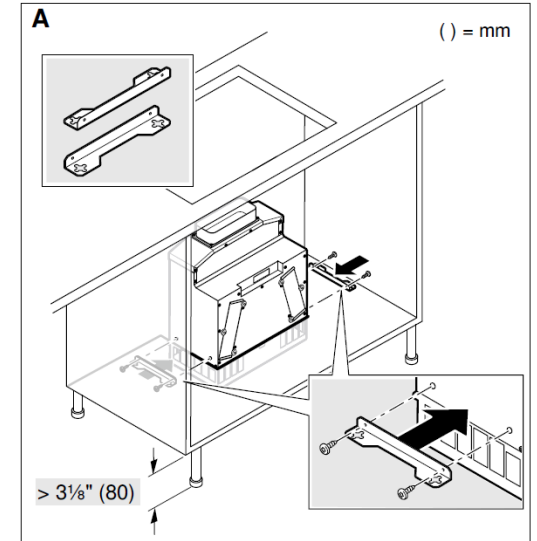
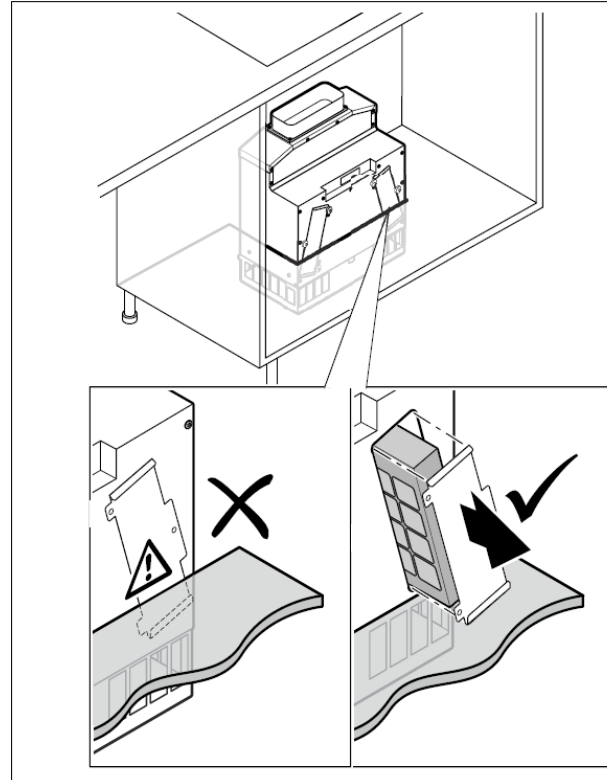
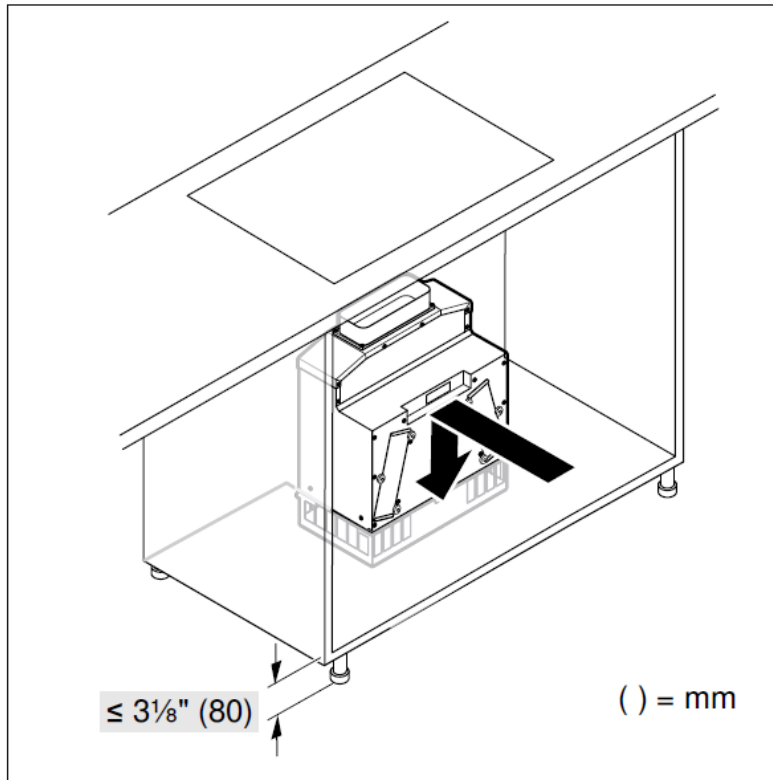
The filters come preinstalled in the appliance and can only be taken out from one side. If required by the installation situation, you can fit the filters on the opposite side so that they are still accessible following installation.

- 1- Loosen the screws on the filter covers on both sides (A). Remove the filter covers (B).
- 2- Carefully remove the filters with both hands (C).
- 3- Insert the filter on the opposite side. Secure each one using three straight-knurled nuts.
- 4- Use three straight-knurled nuts to secure each filter cover to the filter openings that are not in use.



Configuration	2x VL 414 712 - 2x AR 410 710 - 3 Varios	Min. Work depth	25 ⁹ / ₁₆ " (650 mm)	Ventilation mode	Air recirculation
Type reference cooktops	VI 414 613 - VG 425 211CA - VP 414 611	Type reference ventilation appliance	VL 414 712	Type reference remote fan unit	AR 410 710

Information about installation

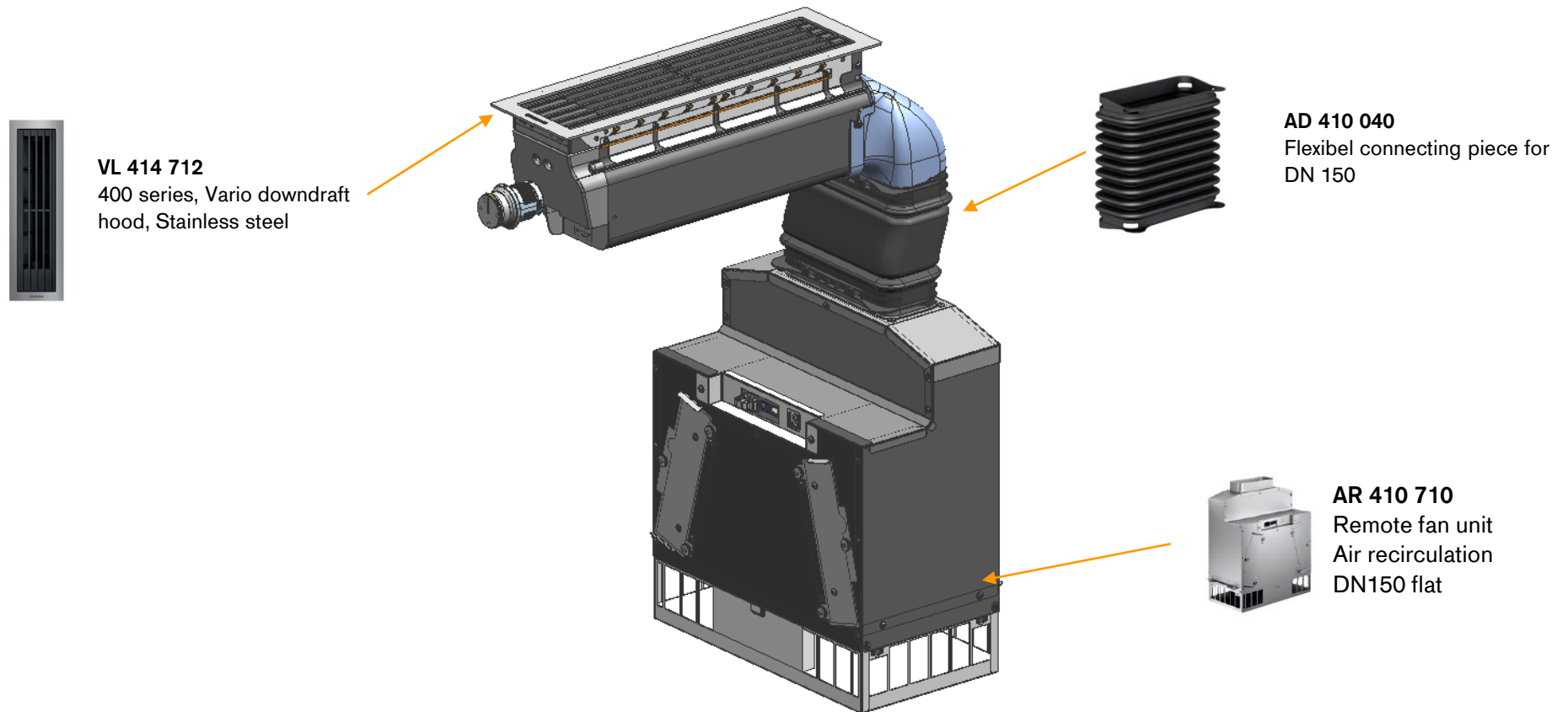


(inside parenthesis) = mm

17 January 2023

Configuration	2x VL 414 712 - 2x AR 410 710 - 3 Varios	Min. Work depth	25 ⁹ / ₁₆ " (650 mm)	Ventilation mode	Air recirculation
Type reference cooktops	VI 414 613 - VG 425 211CA - VP 414 611	Type reference ventilation appliance	VL 414 712	Type reference remote fan unit	AR 410 710

Mounting information

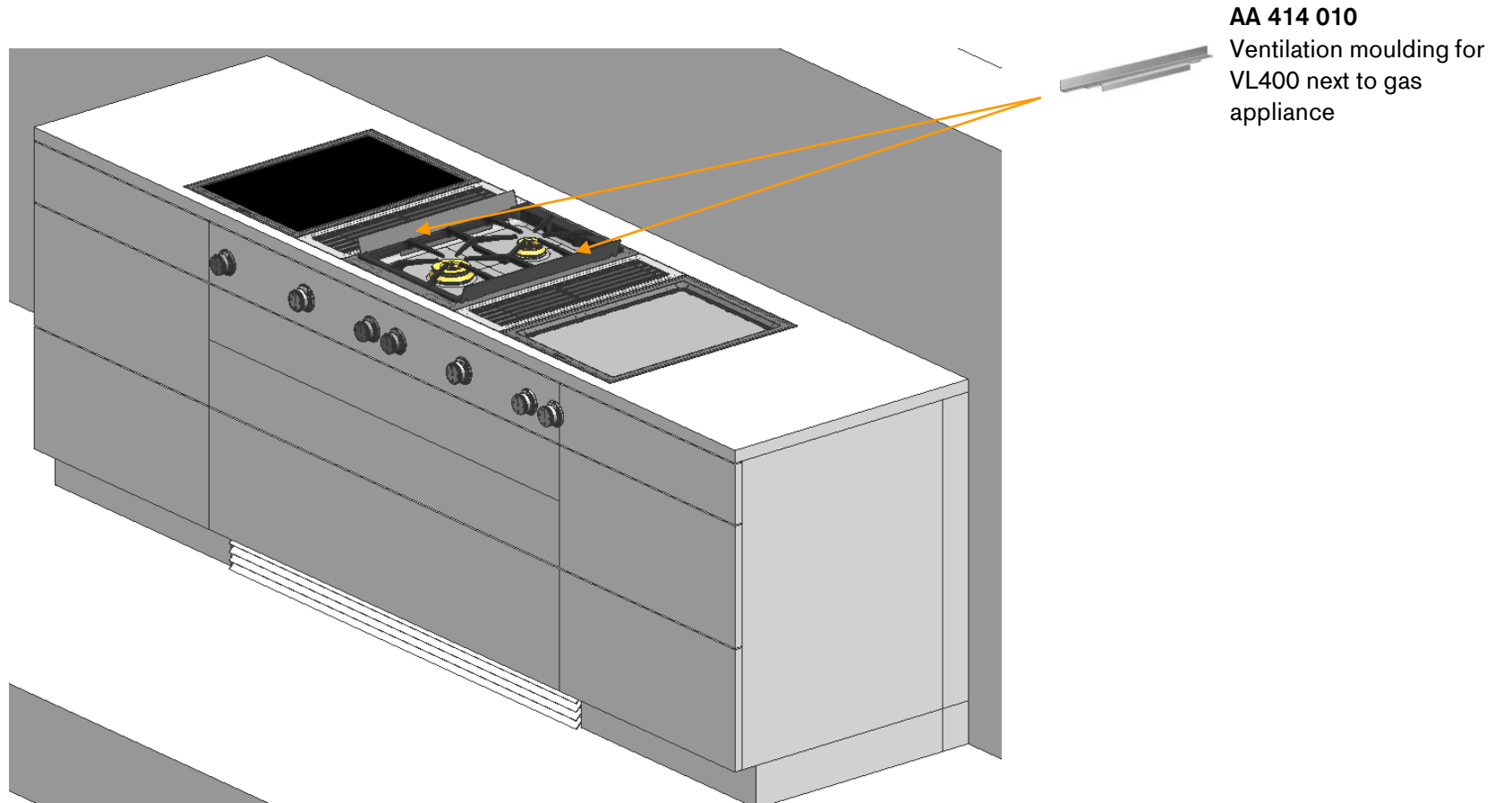


BSH Hausgeräte GmbH, Carl-Wery-Straße 34, 81739 Munich, Germany
 Chairman of the Supervisory: Prof. Dr. Stefan Asenkerschbaumer
 Directors: Dr. Carla Kriwet (Chairman), Dr. Gerhard Dambach, Matthias Ginthum, Dr. Silke Maurer
 Registered Office: Munich; Registry Court: Amtsgericht München, HRB 75534 WEEE-Reg.-Nr. DE 57986696

The drawing is provided only as an example.
 Please pay attention to the technical installation drawings in the Gaggenau Models and Dimensions. The technical drawings are not based on customer data and are merely for installation recommendation. The exact installation must be verified by the kitchen studio on an individual customer basis.

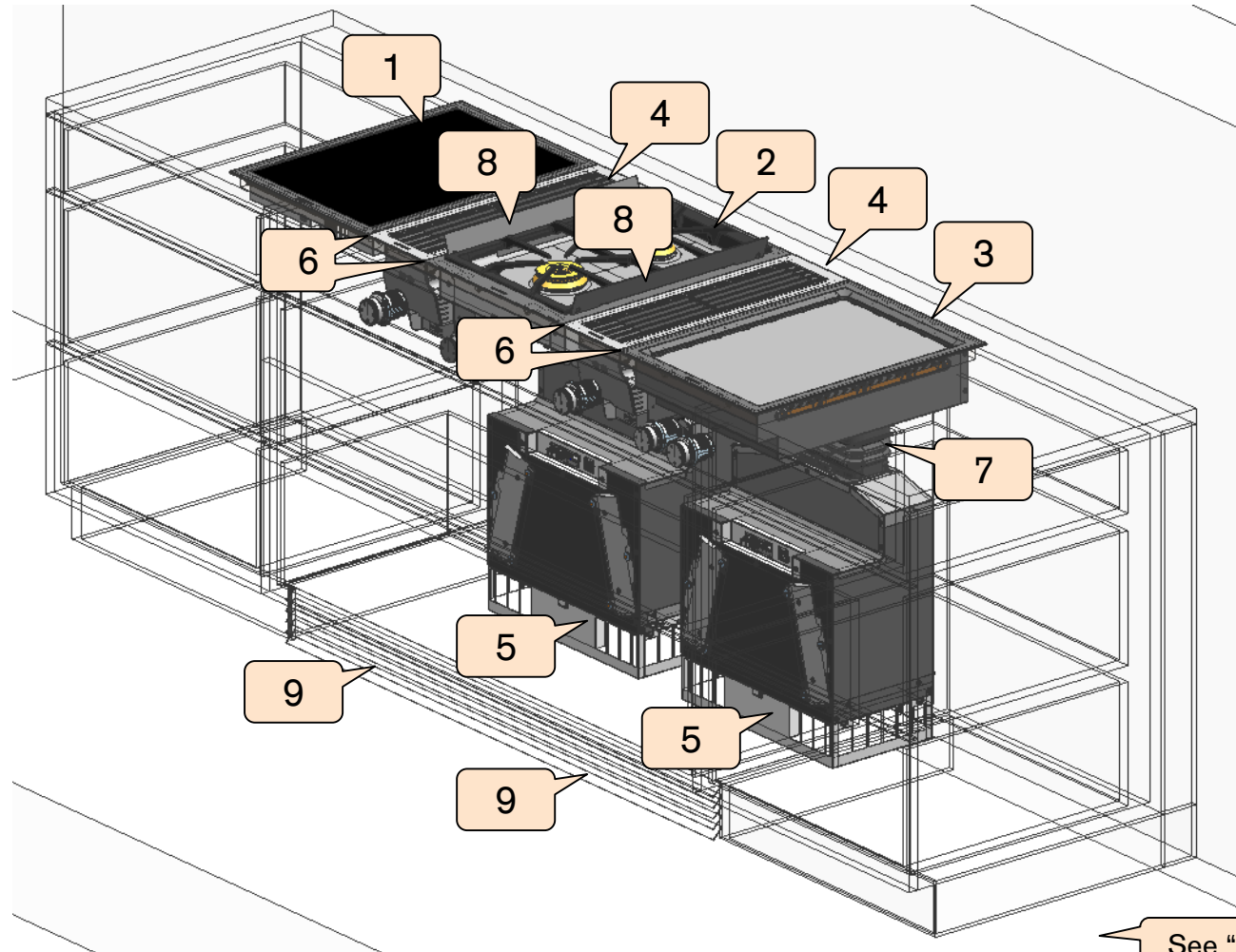
17 January 2023

Configuration	2x VL 414 712 - 2x AR 410 710 - 3 Varios	Min. Work depth	25 ⁹ / ₁₆ " (650 mm)	Ventilation mode	Air recirculation
Type reference cooktops	VI 414 613 - VG 425 211CA - VP 414 611	Type reference ventilation appliance	VL 414 712	Type reference remote fan unit	AR 410 710



17 January 2023

Configuration	2x VL 414 712 - 2x AR 410 710 - 3 Varios	Min. Work depth	25 9/16" (650 mm)	Ventilation mode	Air recirculation
Type reference cooktops	VI 414 613 - VG 425 211CA - VP 414 611	Type reference ventilation appliance	VL 414 712	Type reference remote fan unit	AR 410 710



See "Bill of material" page 14

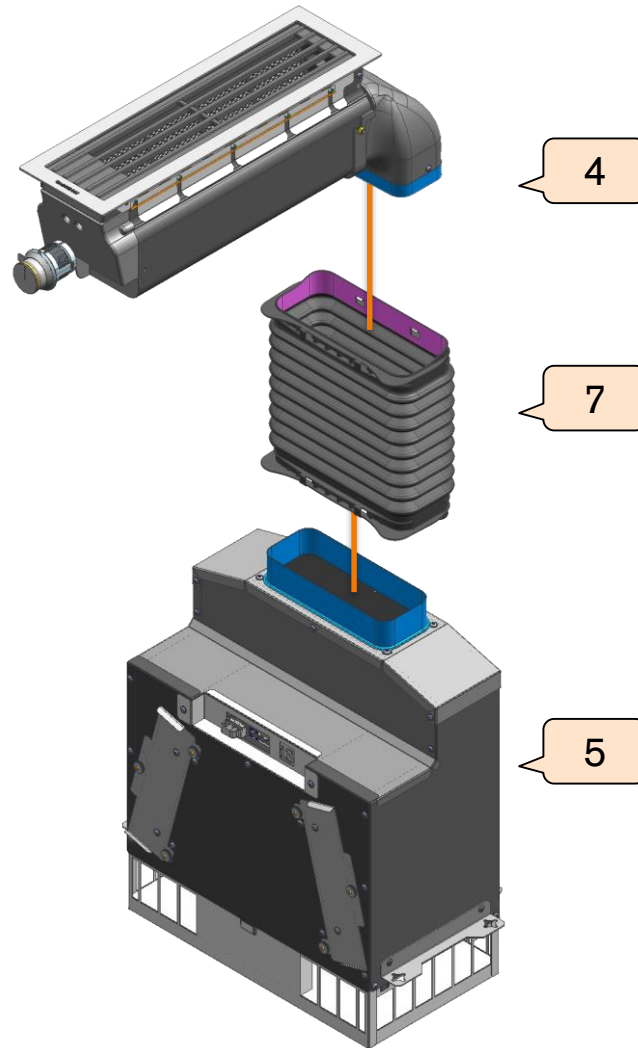
BSH Hausgeräte GmbH, Carl-Wery-Straße 34, 81739 Munich, Germany
 Chairman of the Supervisory : Prof. Dr. Stefan Asenkerschbaumer
 Directors : Dr. Carla Kriwet (Chairman), Dr. Gerhard Dambach, Matthias Ginthum, Dr. Silke Maurer
 Registered Office : Munich; Registry Court : Amtsgericht München, HRB 75534 WEEE-Reg.-Nr. DE 57986696

The drawing is provided only as an example.
 Please pay attention to the technical installation drawings in the Gaggenau Models and Dimensions. The technical drawings are not based on customer data and are merely for installation recommendation. The exact installation must be verified by the kitchen studio on an individual customer basis.

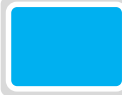
17 January 2023


Configuration	2x VL 414 712 - 2x AR 410 710 - 3 Varios	Min. Work depth	25 ⁹ / ₁₆ " (650 mm)	Ventilation mode	Air recirculation
Type reference cooktops	VI 414 613 - VG 425 211CA - VP 414 611	Type reference ventilation appliance	VL 414 712	Type reference remote fan unit	AR 410 710


Mounting information



See "Bill of material" page 14

 Blue : male connection

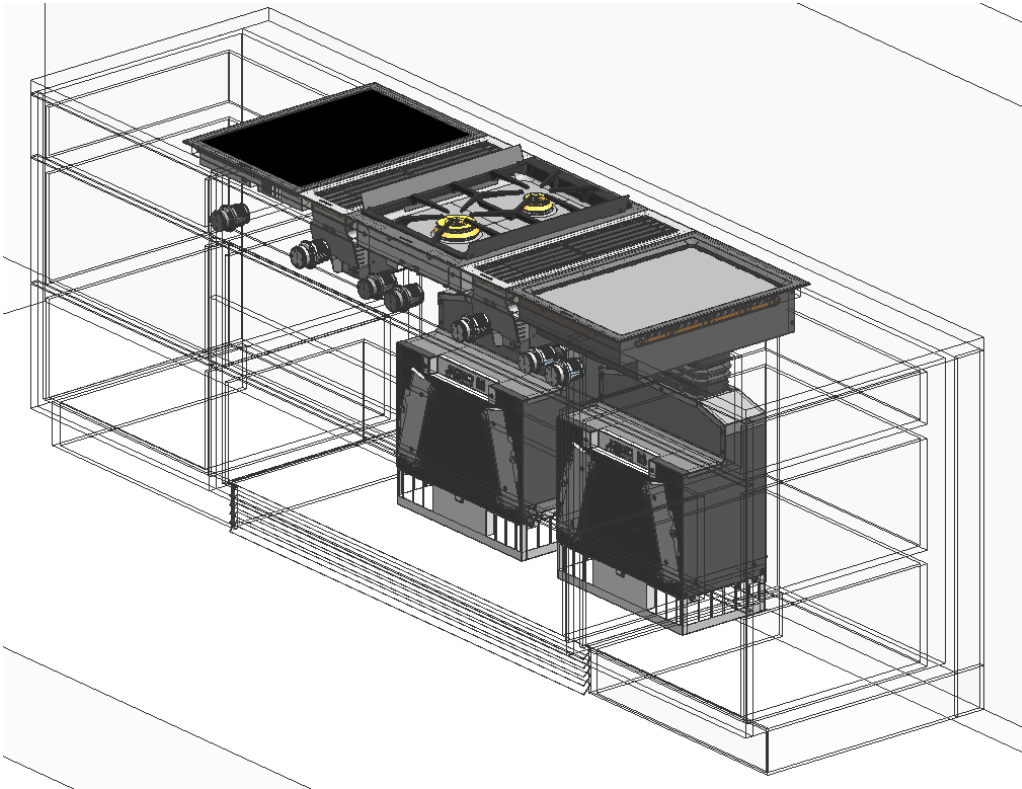
 Pink: female connection

 Orange: into male connection DN 150

17 January 2023

Configuration	2x VL 414 712 - 2x AR 410 710 - 3 Varios	Min. Work depth	25 ⁹ / ₁₆ " (650 mm)	Ventilation mode	Air recirculation
Type reference cooktops	VI 414 613 - VG 425 211CA - VP 414 611	Type reference ventilation appliance	VL 414 712	Type reference remote fan unit	AR 410 710

Bill of material



Position	Quantity	Part number	Appliance Design / Accessories Design
1	1	VI 414 613	Vario induction wok cooktop 400 Series
2	1	VG 425 211 CA	Vario Gas cooktop 400 Series
3	1	VP 414 611	Vario Teppan Yaki 400 Series
4	2	VL 414 712	Vario Downdraft ventilation 400 series
5	2	AR 410 710	Remote fan unit Air recirculation DN150 flat
6	4	VA 420 000	Vario Connection strip for flush mounting
7	2	AD 410 040	Flexibel connecting piece for DN 150
8	2	AA 414 010	Ventilation moulding for VL 400 next to gas appliance
9	2	AA 010 410	Air exhaust grille

Please check the availability of the products in your country.