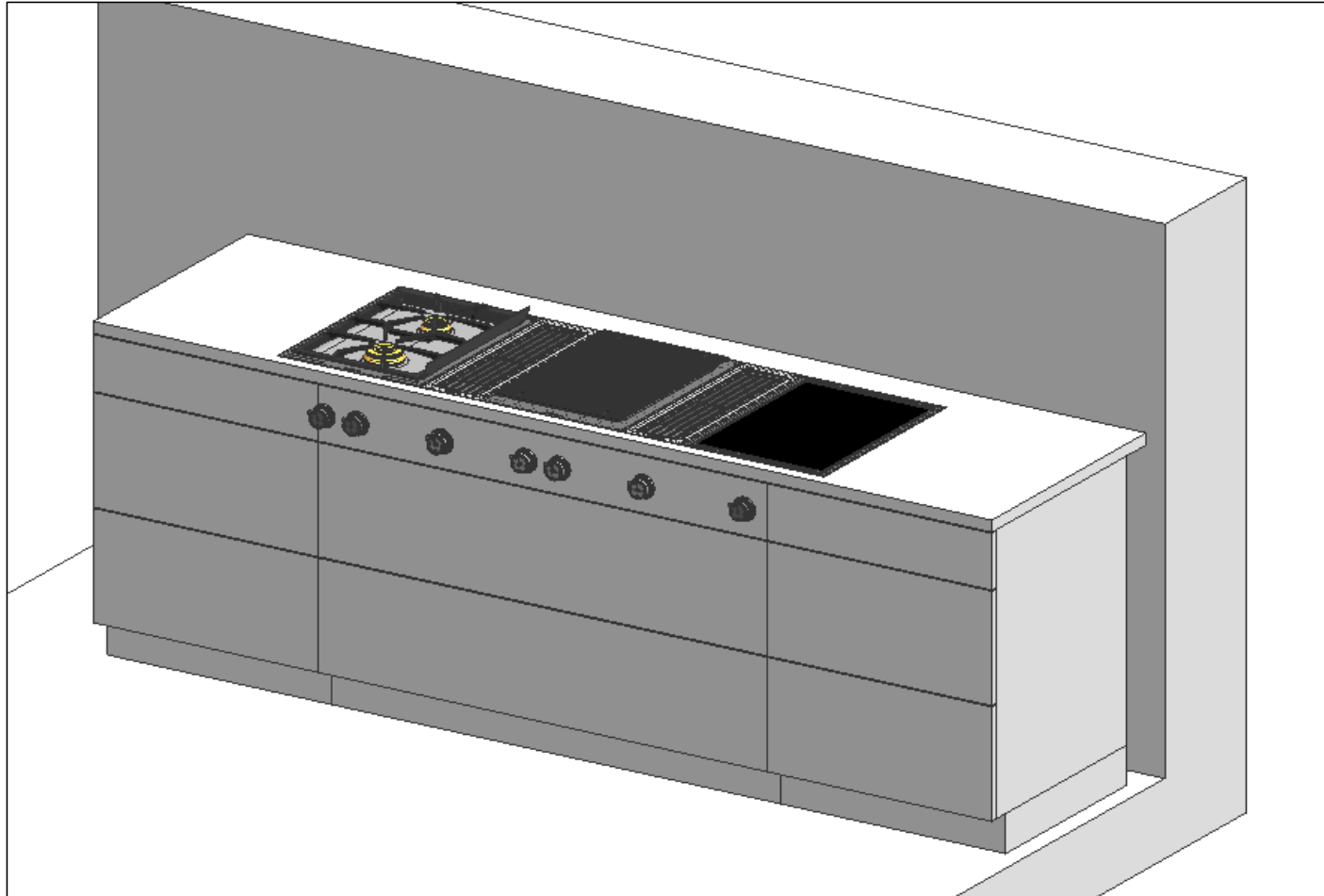


17. Mai 2021

Configuration	2x VL 414 712 - 2x AR 401 742 - 3 Varios	Min. Work depth	27 ⁹ / ₁₆ " (700 mm)	Ventilation mode	Extraction
Type reference cooktops	VG 425 211 CA - VI 414 613 - VR 414 611	Type reference ventilation appliance	VL 414 712	Type reference remote fan unit	AR 401 742

Installation view

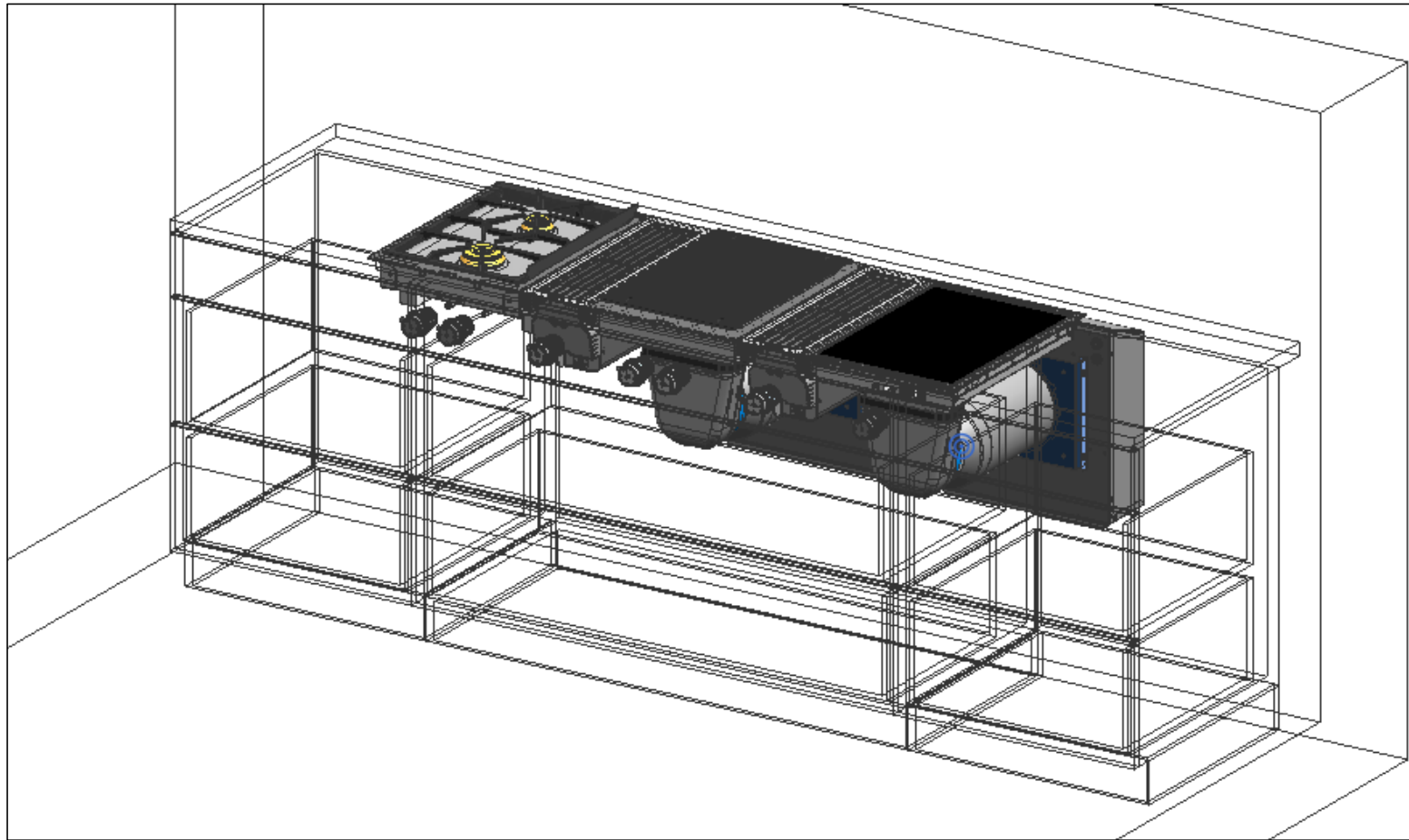


BSH Hausgeräte GmbH, Carl-Wery-Straße 34, 81739 Munich, Germany
 Chairman of the Supervisory : Prof. Dr. Stefan Asenkerschbaumer
 Directors : Dr. Carla Kriwet (Chairman), Dr. Gerhard Dambach, Matthias Ginthum, Dr. Silke Maurer
 Registered Office : Munich; Registry Court : Amtsgericht München, HRB 75534 WEEE-Reg.-Nr. DE 57986696

The drawing is provided only as an example.
 Please pay attention to the technical installation drawings in the Gaggenau Models and Dimensions. The technical drawings are not based on customer data and are merely for installation recommendation. The exact installation must be verified by the kitchen studio on an individual customer basis.

Configuration	2x VL 414 712 - 2x AR 401 742 - 3 Varios	Min. Work depth	27 ⁹ / ₁₆ " (700 mm)	Ventilation mode	Extraction
Type reference cooktops	VG 425 211 CA - VI 414 613 - VR 414 611	Type reference ventilation appliance	VL 414 712	Type reference remote fan unit	AR 401 742

Installation view

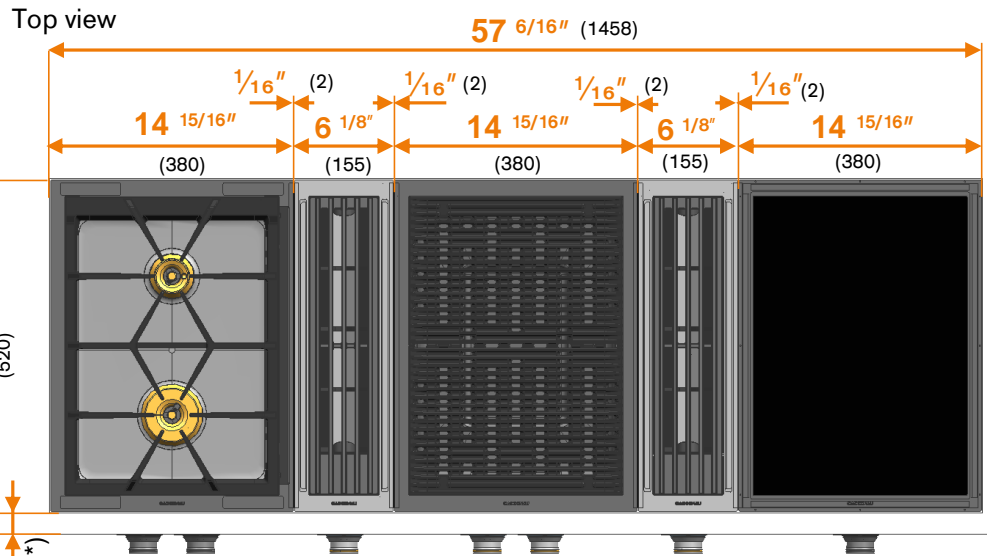


BSH Hausgeräte GmbH, Carl-Wery-Straße 34, 81739 Munich, Germany
 Chairman of the Supervisory : Prof. Dr. Stefan Asenkerschbaumer
 Directors : Dr. Carla Kriwet (Chairman), Dr. Gerhard Dambach, Matthias Ginthum, Dr. Silke Maurer
 Registered Office : Munich; Registry Court : Amtsgericht München, HRB 75534 WEEE-Reg.-Nr. DE 57986696

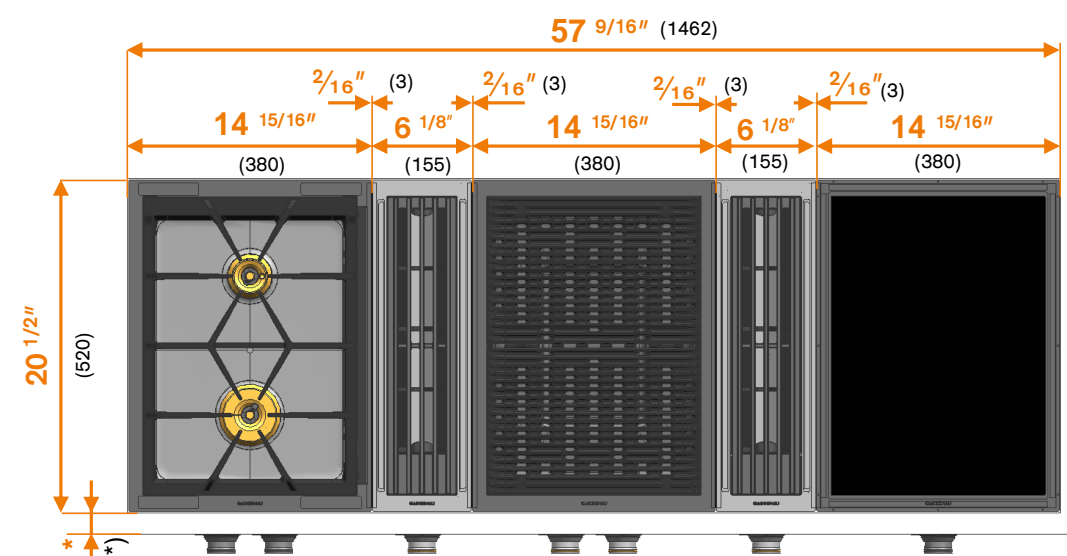
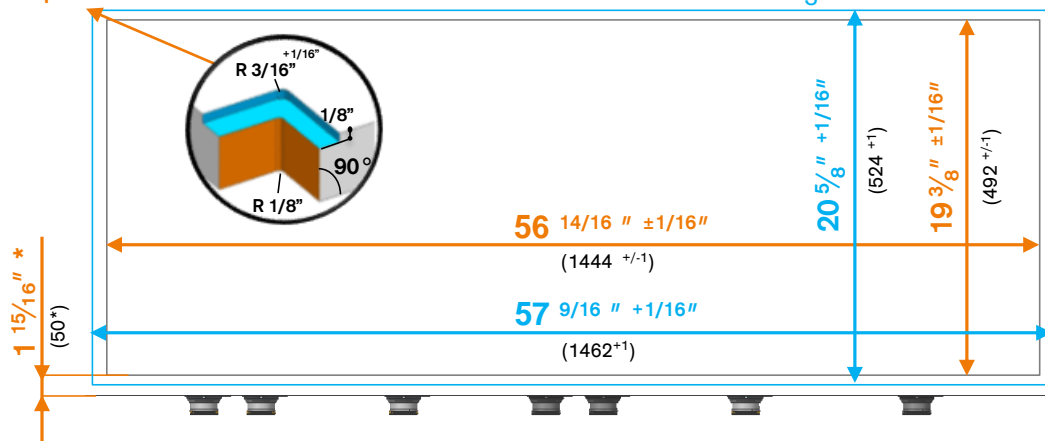
The drawing is provided only as an example.
 Please pay attention to the technical installation drawings in the Gaggenau Models and Dimensions. The technical drawings are not based on customer data and are merely for installation recommendation. The exact installation must be verified by the kitchen studio on an individual customer basis.

17. Mai 2021

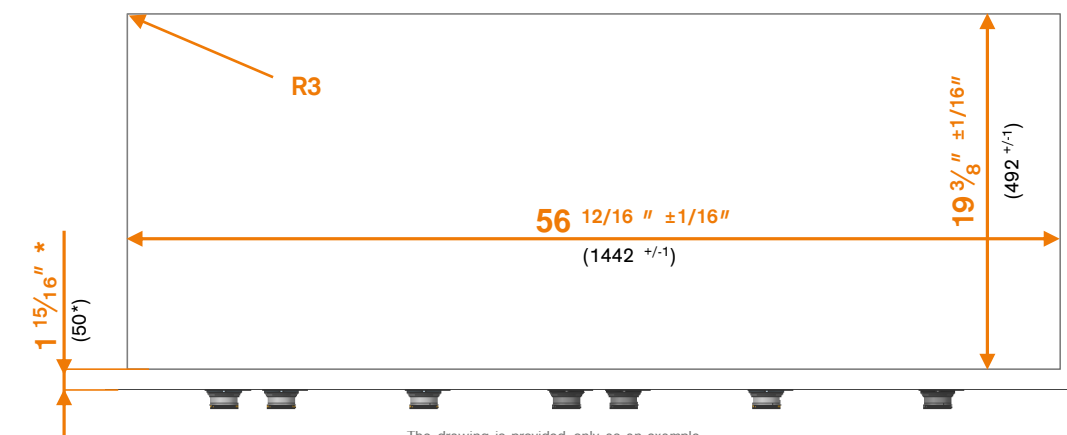
Configuration	2x VL 414 712 - 2x AR 401 742 - 3 Varios	Min. Work depth	27 9/16" (700 mm)	Ventilation mode	Extraction
Type reference cooktops	VG 425 211 CA - VI 414 613 - VR 414 611	Type reference ventilation appliance	VL 414 712	Type reference remote fan unit	AR 401 742



Cut out dimension. **Flush mounting**



Cut out dimension. **Surface mounting**



The drawing is provided only as an example. Please pay attention to the technical installation drawings in the Gaggenau Models and Dimensions. The technical drawings are not based on customer data and are merely for installation recommendation. The exact installation must be verified by the kitchen studio on an individual customer basis.

*: Recommended distance; Distance can be adjusted

BSH Hausgeräte GmbH, Carl-Wery-Straße 34, 81739 Munich, Germany
 Chairman of the Supervisory : Prof. Dr. Stefan Asenkerschbaumer
 Directors : Dr. Carla Kriwet (Chairman), Dr. Gerhard Dambach, Matthias Ginthum, Dr. Silke Maurer
 Registered Office : Munich; Registry Court : Amtsgericht München, HRB 75534 WEEE-Reg.-Nr. DE 57986696

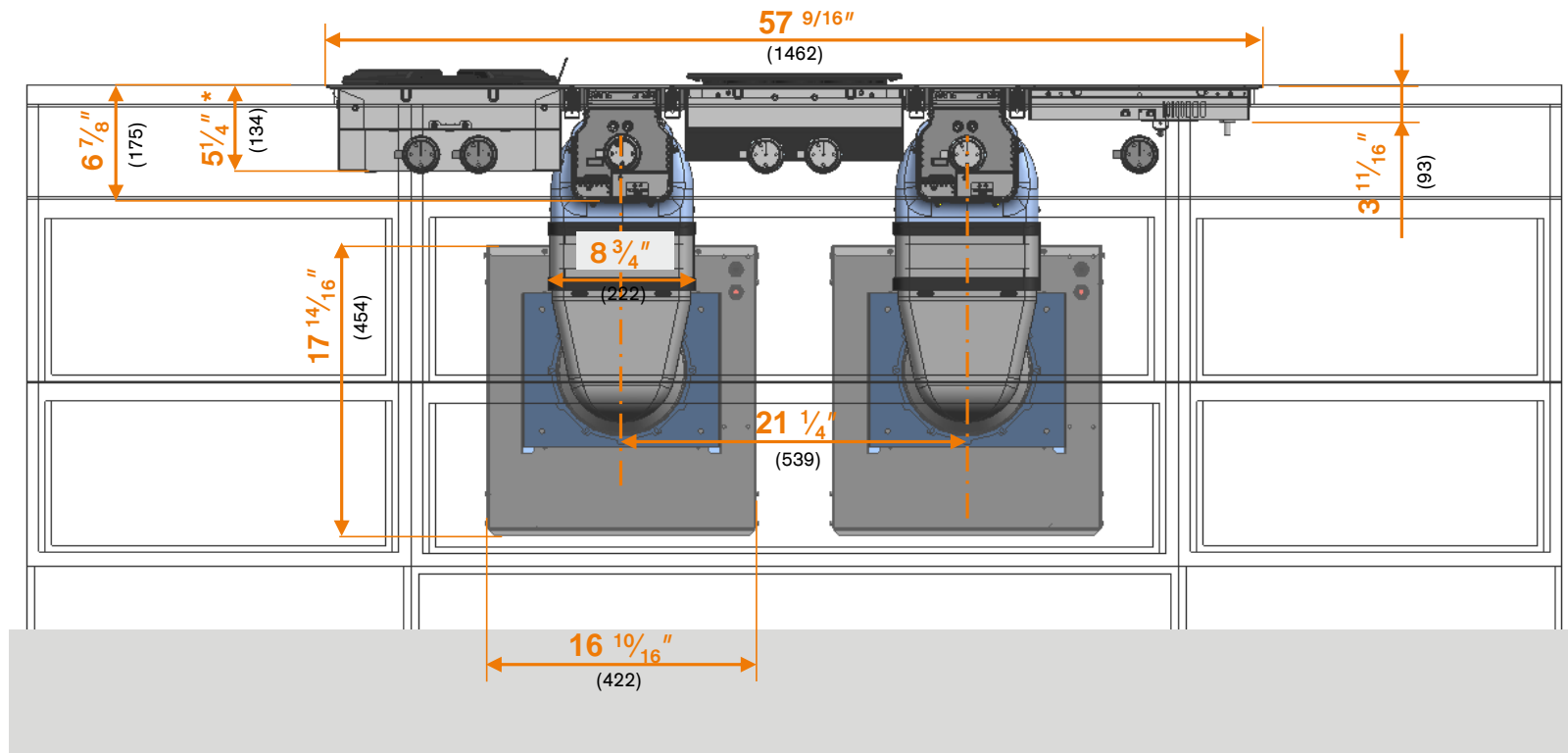
GAGGENAU

(inside parenthesis) = mm

17. Mai 2021

Configuration	2x VL 414 712 - 2x AR 401 742 - 3 Varios	Min. Work depth	27 ⁹ / ₁₆ " (700 mm)	Ventilation mode	Extraction
Type reference cooktops	VG 425 211 CA - VI 414 613 - VR 414 611	Type reference ventilation appliance	VL 414 712	Type reference remote fan unit	AR 401 742

Front view



* : For flush mounted

GAGGENAU

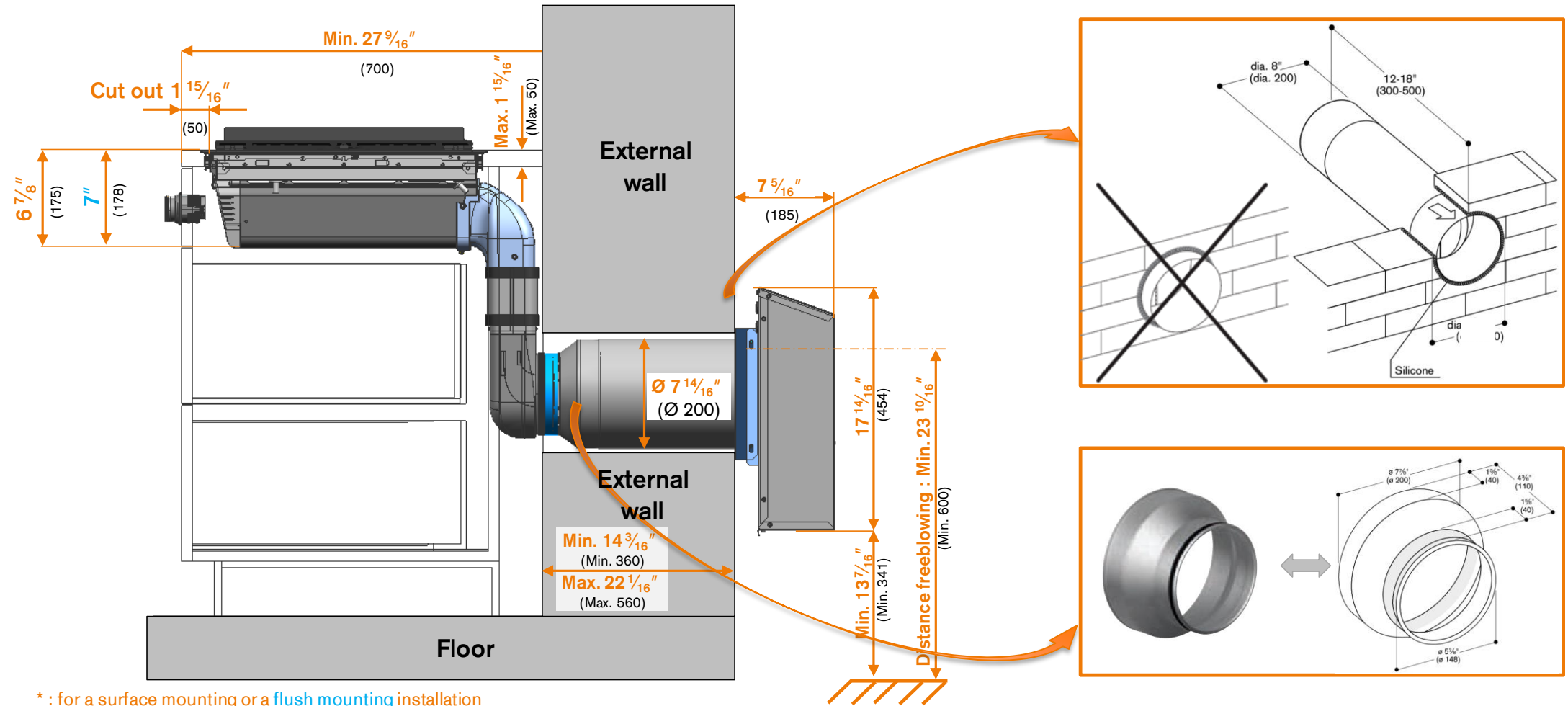
(inside parenthesis) = mm

BSH Hausgeräte GmbH, Carl-Wery-Straße 34, 81739 Munich, Germany
 Chairman of the Supervisory : Prof. Dr. Stefan Asenkerschbaumer
 Directors : Dr. Carla Kriwet (Chairman), Dr. Gerhard Dambach, Matthias Ginthum, Dr. Silke Maurer
 Registered Office : Munich; Registry Court : Amtsgericht München, HRB 75534 WEEE-Reg.-Nr. DE 57986696

The drawing is provided only as an example.
 Please pay attention to the technical installation drawings in the Gaggenau Models and Dimensions. The technical drawings are not based on customer data and are merely for installation recommendation. The exact installation must be verified by the kitchen studio on an individual customer basis.

Configuration	2x VL 414 712 - 2x AR 401 742 - 3 Varios	Min. Work depth	27 9/16" (700 mm)	Ventilation mode	Extraction
Type reference cooktops	VG 425 211 CA - VI 414 613 - VR 414 611	Type reference ventilation appliance	VL 414 712	Type reference remote fan unit	AR 401 742

Right view



* : for a surface mounting or a flush mounting installation

** : Recommended distance. Distance can be adjusted

GAGGENAU

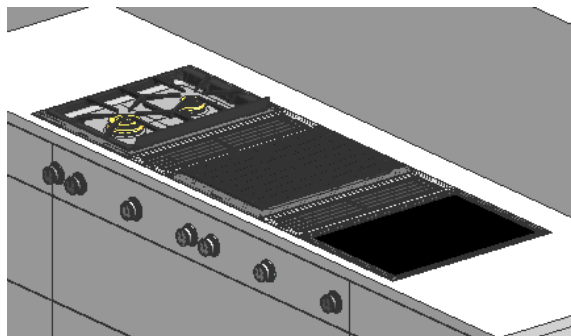
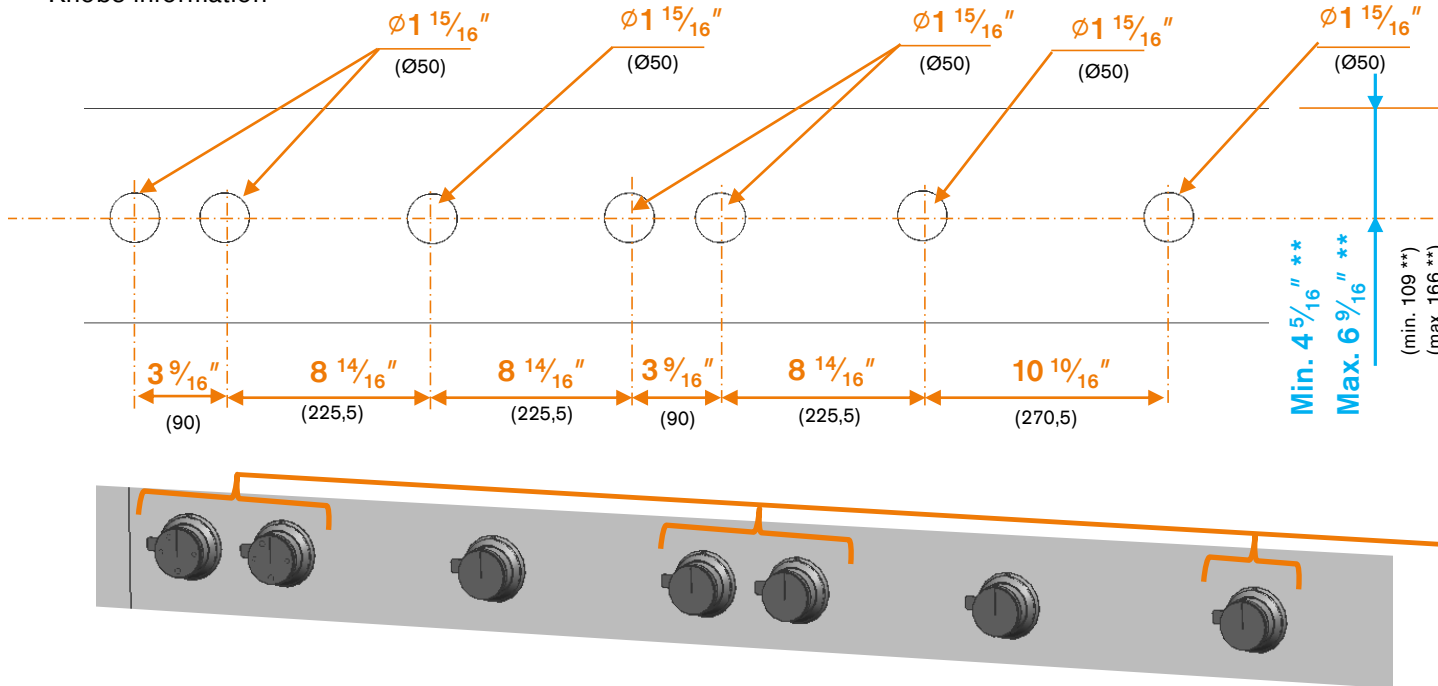
(inside parenthesis) = mm

BSH Hausgeräte GmbH, Carl-Wery-Straße 34, 81739 Munich, Germany
 Chairman of the Supervisory : Prof. Dr. Stefan Asenkerschbaumer
 Directors : Dr. Carla Kriwet (Chairman), Dr. Gerhard Dambach, Matthias Ginthum, Dr. Silke Maurer
 Registered Office : Munich; Registry Court : Amtsgericht München, HRB 75534 WEEE-Reg.-Nr. DE 57986696

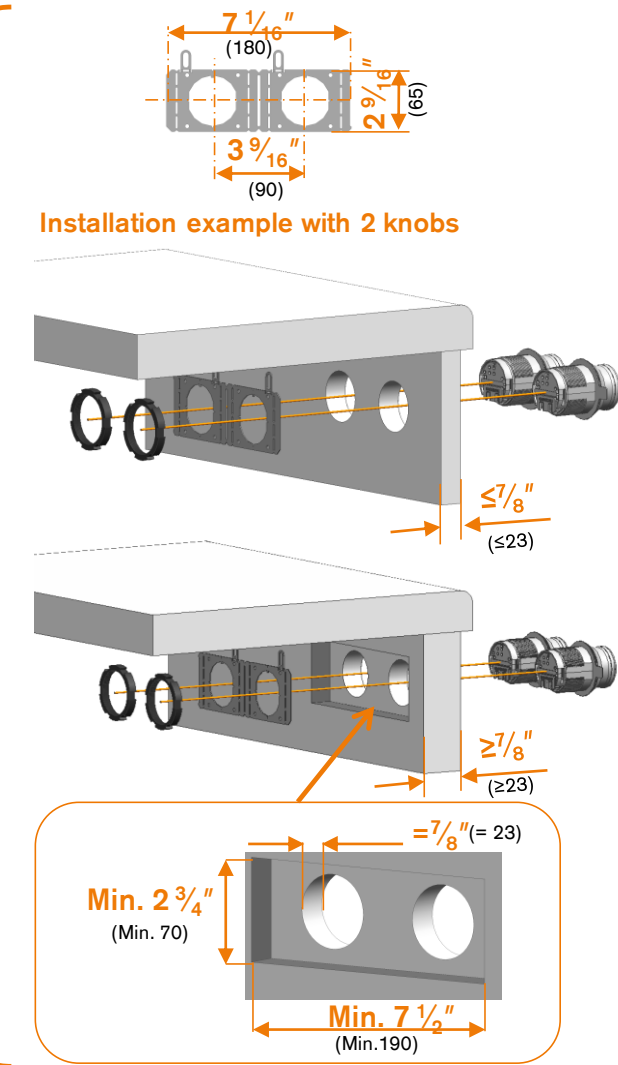
The drawing is provided only as an example. Please pay attention to the technical installation drawings in the Gaggenau Models and Dimensions. The technical drawings are not based on customer data and are merely for installation recommendation. The exact installation must be verified by the kitchen studio on an individual customer basis.

Configuration	2x VL 414 712 - 2x AR 401 742 - 3 Varios	Min. Work depth	27 9/16" (700 mm)	Ventilation mode	Extraction
Type reference cooktops	VG 425 211 CA - VI 414 613 - VR 414 611	Type reference ventilation appliance	VL 414 712	Type reference remote fan unit	AR 401 742

Knobs information



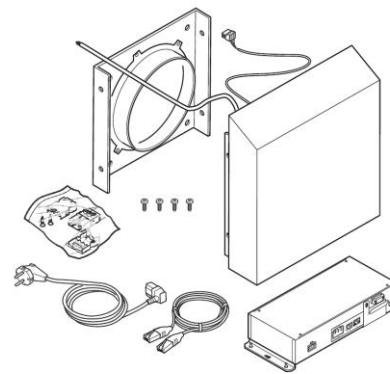
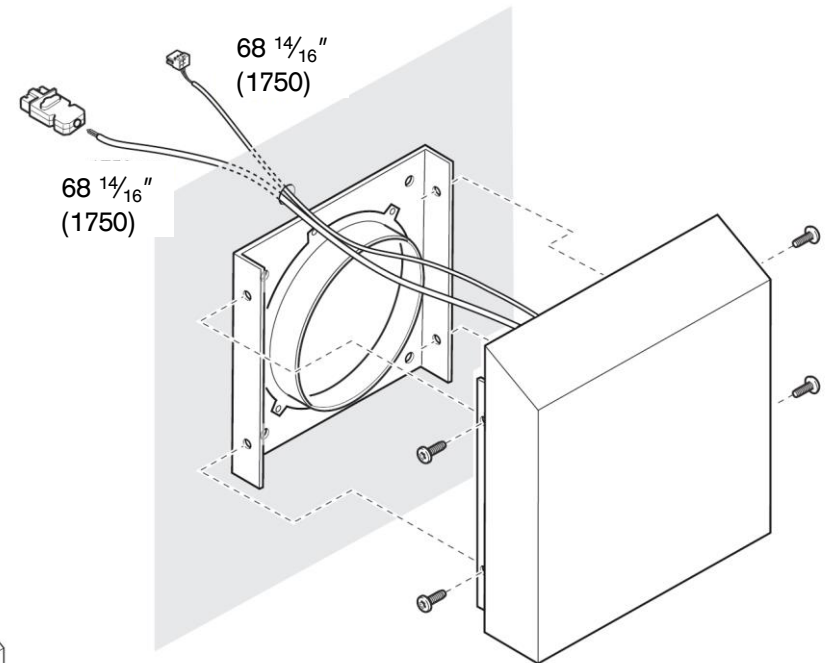
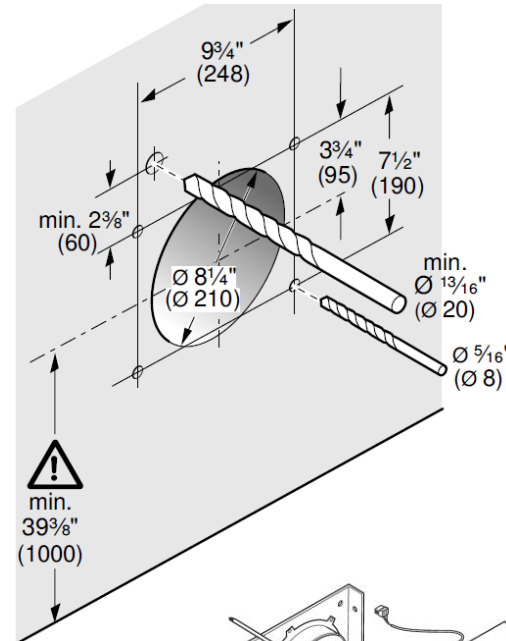
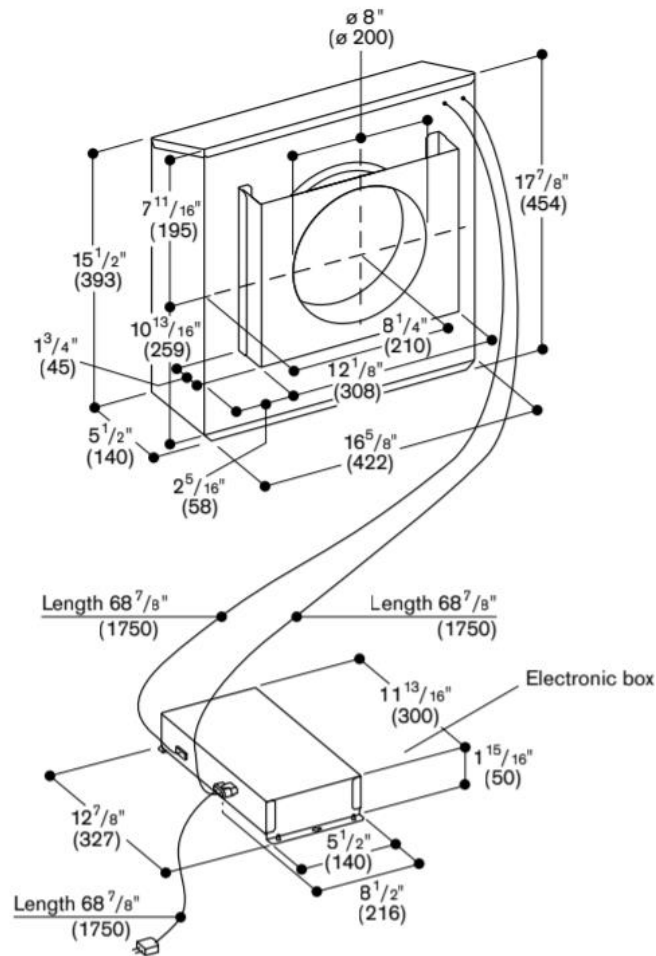
** : for a flush mounting installation



The drawing is provided only as an example. Please pay attention to the technical installation drawings in the Gaggenau Models and Dimensions. The technical drawings are not based on customer data and are merely for installation recommendation. The exact installation must be verified by the kitchen studio on an individual customer basis.

Configuration	2x VL 414 712 - 2x AR 401 742 - 3 Varios	Min. Work depth	27 9/16" (700 mm)	Ventilation mode	Extraction
Type reference cooktops	VG 425 211 CA - VI 414 613 - VR 414 611	Type reference ventilation appliance	VL 414 712	Type reference remote fan unit	AR 401 742

Information about remote fan unit AR 401 742

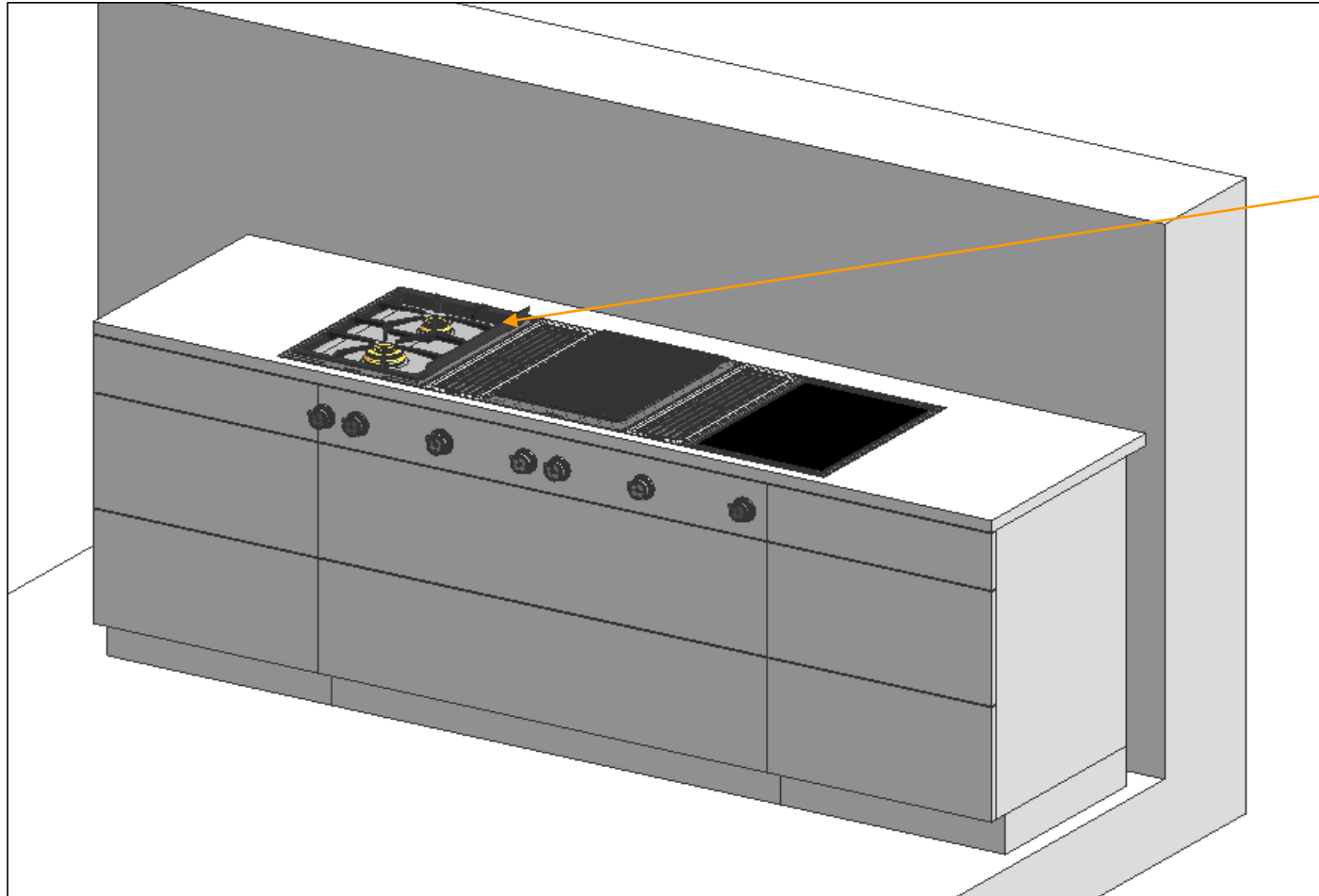


BSH Hausgeräte GmbH, Carl-Wery-Straße 34, 81739 Munich, Germany
 Chairman of the Supervisory : Prof. Dr. Stefan Asenkerschbaumer
 Directors : Dr. Carla Kriwet (Chairman), Dr. Gerhard Dambach, Matthias Ginthum, Dr. Silke Maurer
 Registered Office : Munich; Registry Court : Amtsgericht München, HRB 75534 WEEE-Reg.-Nr. DE 57986696

The drawing is provided only as an example.
 Please pay attention to the technical installation drawings in the Gaggenau Models and Dimensions. The technical drawings are not based on customer data and are merely for installation recommendation. The exact installation must be verified by the kitchen studio on an individual customer basis.

17. Mai 2021

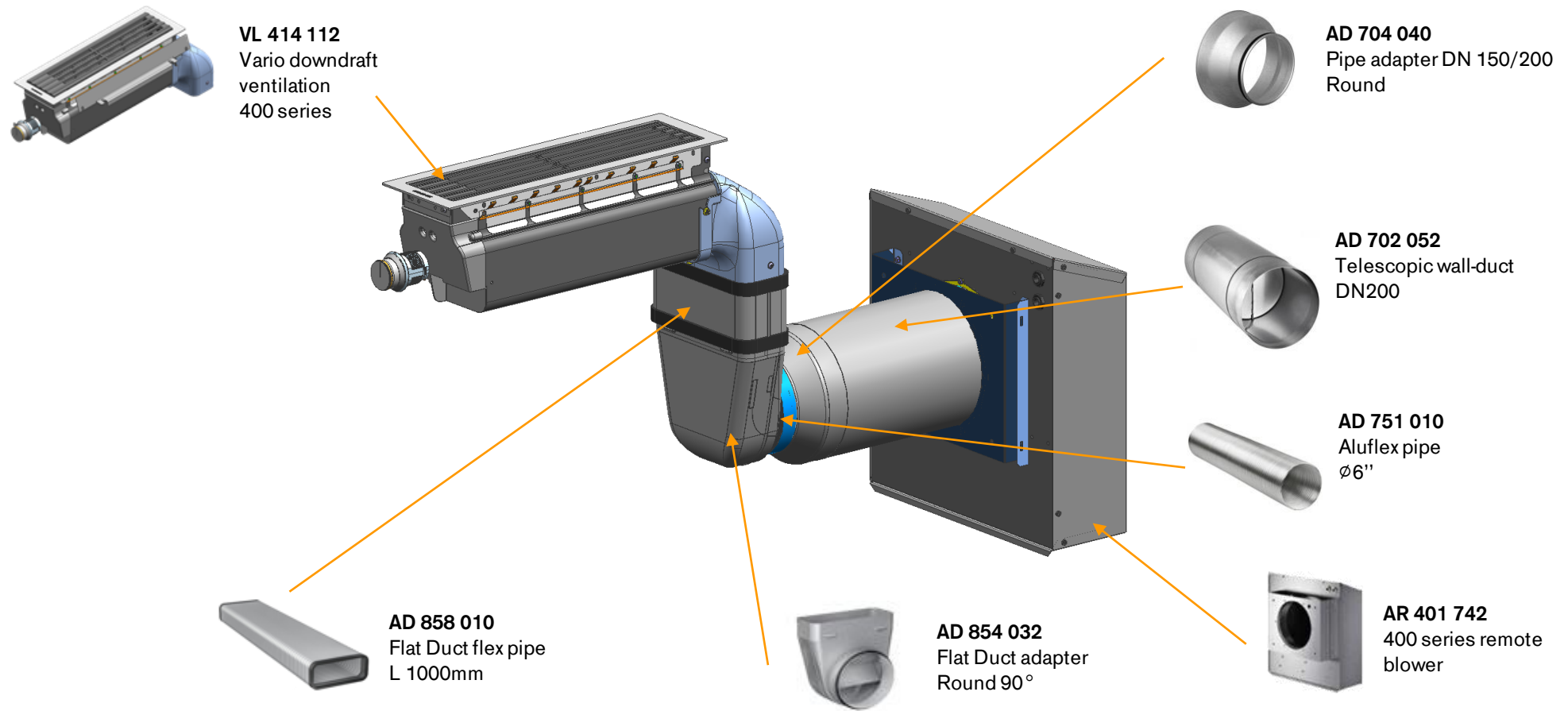
Configuration	2x VL 414 712 - 2x AR 401 742 - 3 Varios	Min. Work depth	27 ⁹ / ₁₆ " (700 mm)	Ventilation mode	Extraction
Type reference cooktops	VG 425 211 CA - VI 414 613 - VR 414 611	Type reference ventilation appliance	VL 414 712	Type reference remote fan unit	AR 401 742



AA 414 010
Ventilation moulding for
VL414 next to gas appliance

Configuration	2x VL 414 712 - 2x AR 401 742 - 3 Varios	Min. Work depth	27 ⁹ / ₁₆ " (700 mm)	Ventilation mode	Extraction
Type reference cooktops	VG 425 211 CA - VI 414 613 - VR 414 611	Type reference ventilation appliance	VL 414 712	Type reference remote fan unit	AR 401 742

Mounting information



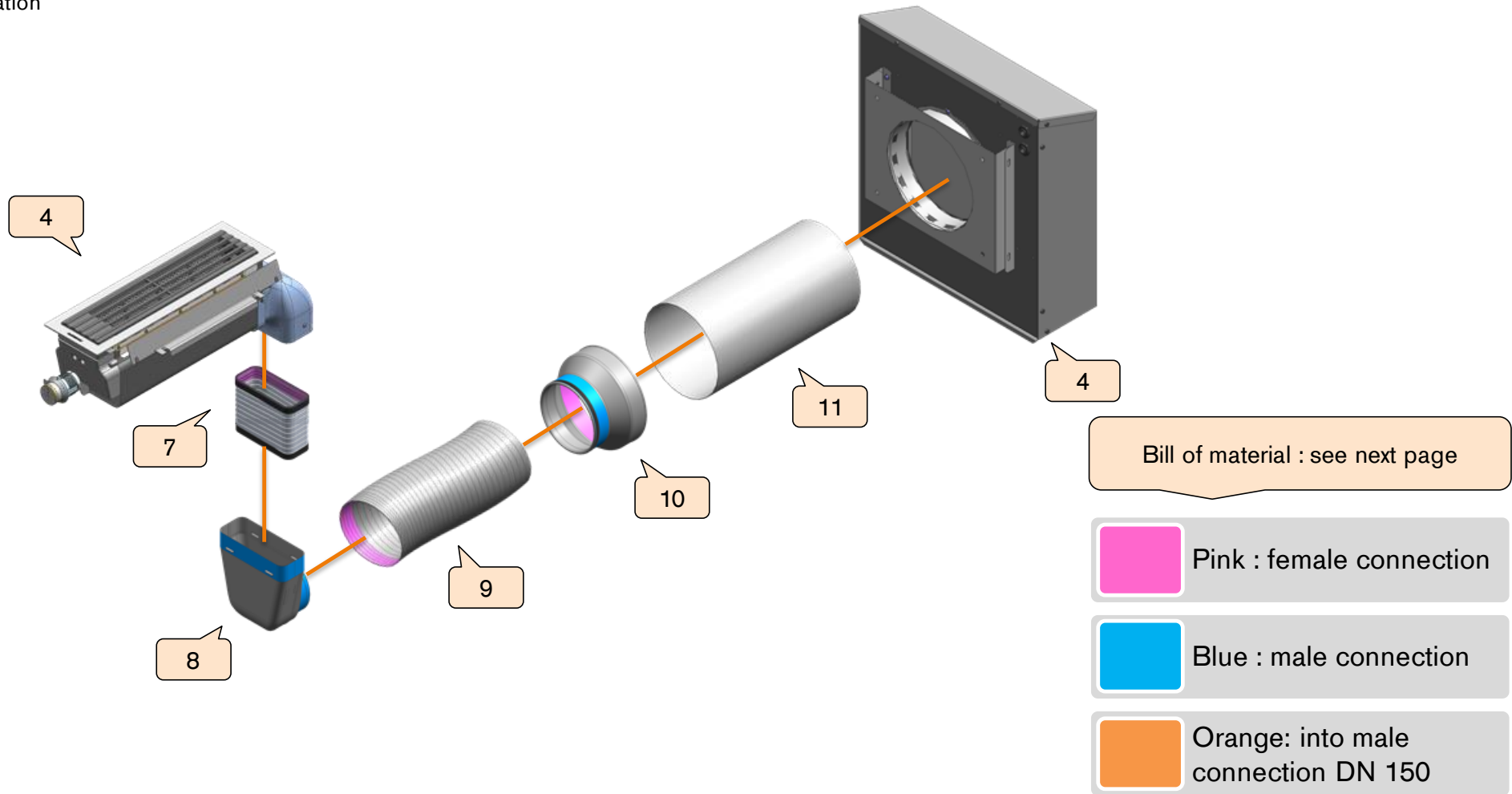
BSH Hausgeräte GmbH, Carl-Wery-Straße 34, 81739 Munich, Germany
 Chairman of the Supervisory : Prof. Dr. Stefan Asenkerschbaumer
 Directors : Dr. Carla Kriwet (Chairman), Dr. Gerhard Dambach, Matthias Ginthum, Dr. Silke Maurer
 Registered Office : Munich; Registry Court : Amtsgericht München, HRB 75534 WEEE-Reg.-Nr. DE 57986696

The drawing is provided only as an example.
 Please pay attention to the technical installation drawings in the Gaggenau Models and Dimensions. The technical drawings are not based on customer data and are merely for installation recommendation. The exact installation must be verified by the kitchen studio on an individual customer basis.

17. Mai 2021

Configuration	2x VL 414 712 - 2x AR 401 742 - 3 Varios	Min. Work depth	27 ⁹ / ₁₆ " (700 mm)	Ventilation mode	Extraction
Type reference cooktops	VG 425 211 CA - VI 414 613 - VR 414 611	Type reference ventilation appliance	VL 414 712	Type reference remote fan unit	AR 401 742

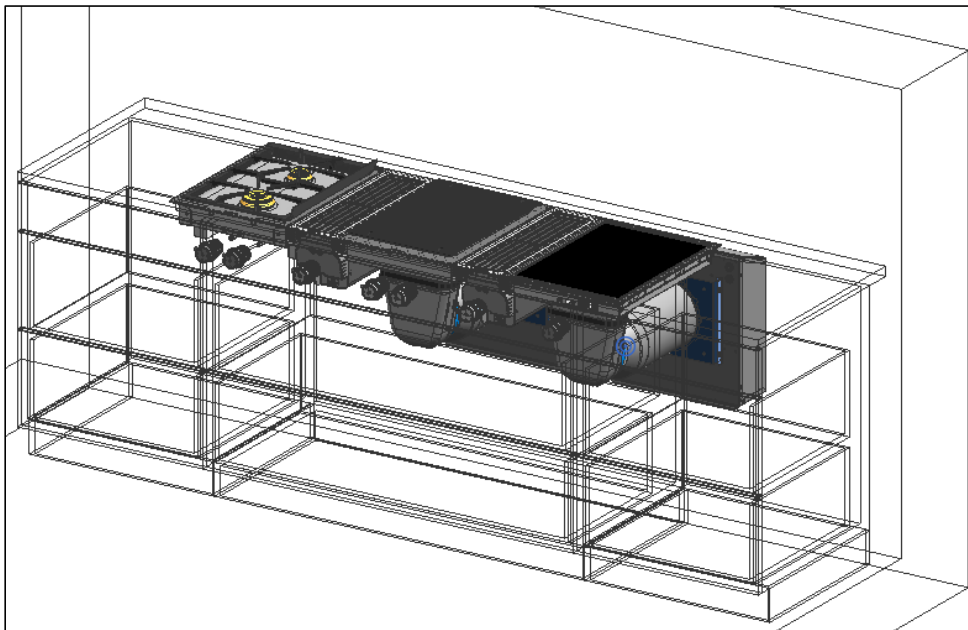
Mounting information



17. Mai 2021

Configuration	2x VL 414 712 - 2x AR 401 742 - 3 Varios	Min. Work depth	27 ⁹ / ₁₆ " (700 mm)	Ventilation mode	Extraction
Type reference cooktops	VG 425 211 CA - VI 414 613 - VR 414 611	Type reference ventilation appliance	VL 414 712	Type reference remote fan unit	AR 401 742

Bill of material



Position	Quantity	Part number	Appliance Design / Accessories Design
1	1	VI 414 613	Vario induction wok cooktop 400 Series
2	1	VR 414 611	Vario electric grill 400 series
3	1	VG 425 211 CA	Vario Gas cooktop 400 Series
4	2	VL 414 712	Vario Downdraft ventilation 400 series
5	2	AR 401 742	Remote fan unit in 200 Ø8" Round
6	4 Or 4	VA 420 004 Or VA 420 010	Vario Connection strip for flush mounting Or Vario Connection strip for surface mounting
7	2	AD 858 010	Flat Duct flex pipe L 1000mm
8	2	AD 854 032	Flat duct adapter round 90°
9	2	AD 751 010	Aluflex pipe DN150 Ø6"
10	2	AD 704 040	Pipe adapter DN 150 Ø6" /200 Ø8" Round
11	2	AD 702 052	Telescopic wall-duct DN200 Ø8" Round
12	1	AA 414 010	Ventilation moulding for VL414 next to gas appliance
13	1	AD 990 091	Adhesive tape for duct components Aluminium