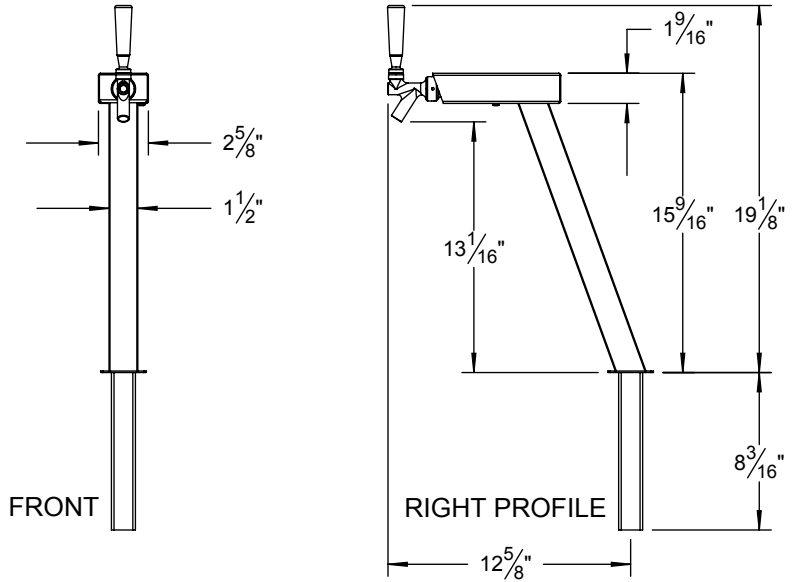
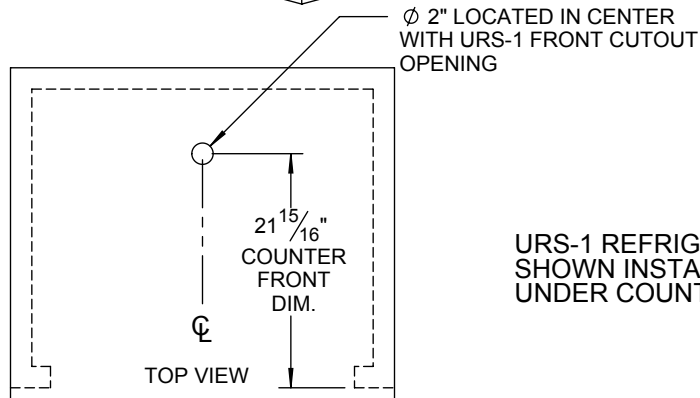
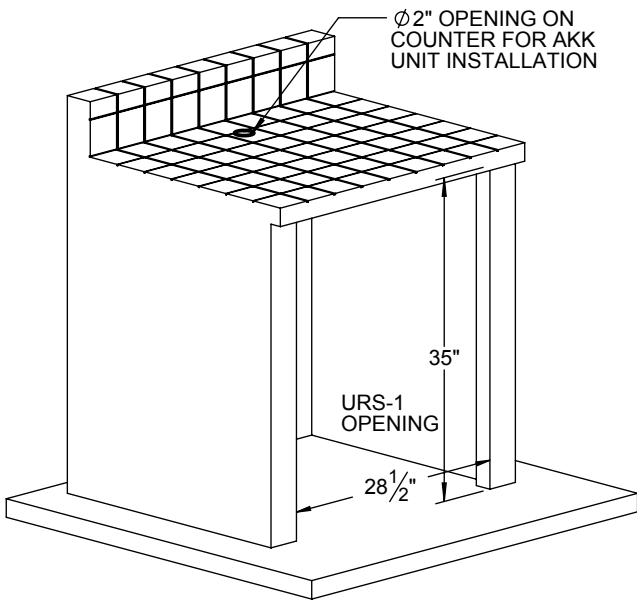


AKK TYPICAL INSTALLATION



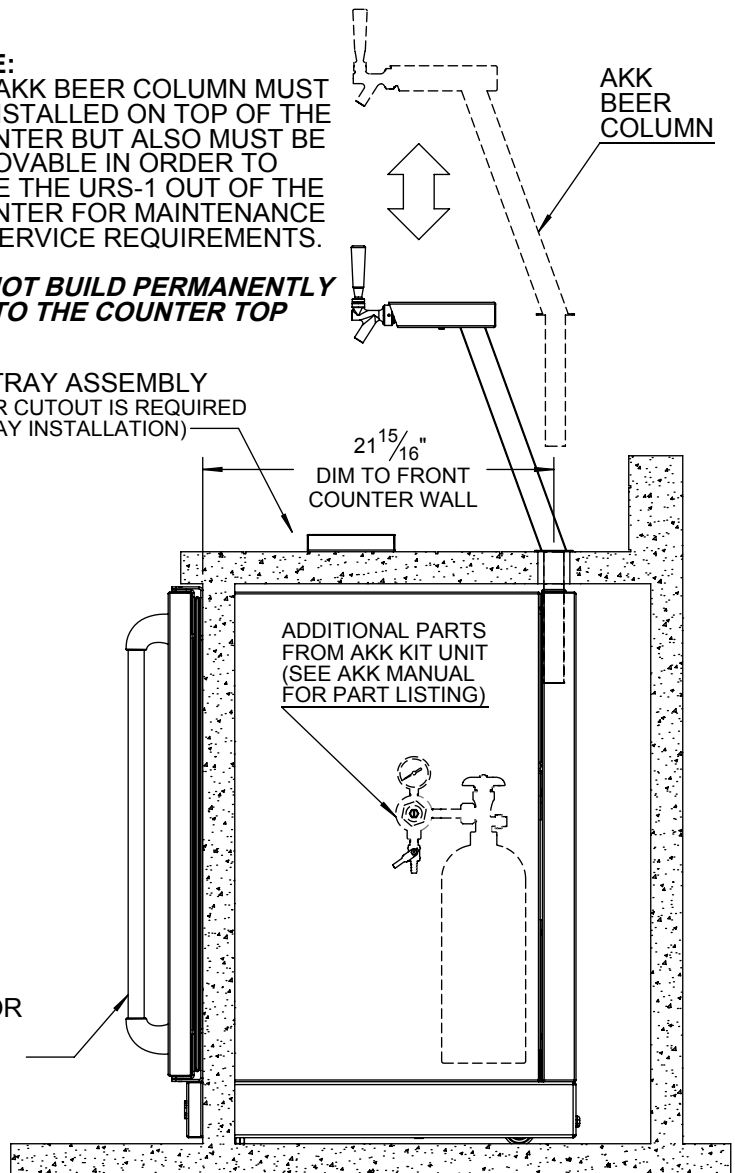
COUNTER TOP AND FRONT CUTOUT REQUIREMENTS



NOTE:
THE AKK BEER COLUMN MUST BE INSTALLED ON TOP OF THE COUNTER BUT ALSO MUST BE REMOVABLE IN ORDER TO MOVE THE URS-1 OUT OF THE COUNTER FOR MAINTENANCE OR SERVICE REQUIREMENTS.

DO NOT BUILD PERMANENTLY INTO THE COUNTER TOP

AKK DRIP TRAY ASSEMBLY (NO COUNTER CUTOUT IS REQUIRED FOR DRIP TRAY INSTALLATION)



Alfresco

SUPERIOR EQUIPMENT SOLUTIONS
7039 EAST SLAUSON AVENUE
COMMERCE, CA. 90040

THE INFORMATION CONTAINED IN THIS DRAWING IS THE SOLE PROPERTY OF SUPERIOR EQUIPMENT SOLUTIONS INC. ANY REPRODUCTION IN PART OR AS A WHOLE WITHOUT WRITTEN PERMISSION FROM SUPERIOR EQUIPMENT SOLUTIONS, INC. IS PROHIBITED.

DRAWN BY: ADRIAN CRISCI
CREATED: Wednesday, October 03, 2007 8:51:20 AM

PROJECT TITLE: **AKK**

DRAWING TITLE:

AKK - KEG KIT SPECIFICATIONS

DRAWING NO.:
AKK SPEC SHEET

SHEET 1 OF 1