

REFRIGERATOR USER INSTRUCTIONS

THANK YOU for purchasing this high-quality product. Register your new refrigerator at www.whirlpool.com.

In Canada, call: **1-800-807-6777** or register your refrigerator at www.whirlpool.ca.

For future reference, please make a note of your product model and serial numbers. These can be located on the inside wall of the refrigerator compartment.

Model Number _____ Serial Number _____

Table of Contents

Índice

Tables des Matières

REFRIGERATOR SAFETY	2	SEGURIDAD DEL REFRIGERADOR	19	SÉCURITÉ DU RÉFRIGÉRATEUR	38
Proper Disposal of Your Old Refrigerator	3	Cómo deshacerse adecuadamente de su refrigerador viejo	20	Mise au rebut de votre vieux réfrigérateur	39
INSTALLATION INSTRUCTIONS ...	3	INSTRUCCIONES DE INSTALACION	21	INSTRUCTIONS D'INSTALLATION	40
Unpack the Refrigerator	3	Desembale el refrigerador	21	Déballage du réfrigérateur.....	40
Before Use	3	Antes del uso	21	Avant utilisation	40
Location Requirements	4	Requisitos de ubicación	22	Exigences d'emplacement.....	41
Electrical Requirements	4	Requisitos eléctricos	22	Spécifications électriques	41
Reverse Door Swing	4	Cambio del sentido de apertura de la puerta	23	Inversion du sens de l'ouverture de la porte	42
Install Door Handles	10	Instalación de las manijas	29	Installer la poignée de porte.....	48
REFRIGERATOR USE	11	USO DEL REFRIGERADOR	30	UTILISATION DU RÉFRIGÉRATEUR	49
Using the Controls	11	Uso de los controles	30	Utilisation des commandes.....	49
Functions.....	11	Funciones.....	30	Fonctions	49
REFRIGERATOR FEATURES	13	CARACTERÍSTICAS DEL REFRIGERADOR	32	CARACTÉRISTIQUES DU RÉFRIGÉRATEUR	51
Refrigerator Shelves	14	Estantes del refrigerador	33	Tablettes du réfrigérateur	52
Cooler Compartment	14	Compartimento de conservadora	33	Compartiment de refroidissement.....	52
Fan	14	Ventilador	33	Ventilation.....	52
Freezer Compartment	14	Compartimiento del congelador	33	Compartiment de congélation.....	52
REFRIGERATOR CARE	14	CUIDADO DEL REFRIGERADOR	33	ENTRETIEN DU RÉFRIGÉRATEUR	52
Cleaning	14	Limpieza	33	Nettoyage.....	52
Defrosting	15	Descongelado	34	Décongélation	53
Lights.....	15	Luces.....	34	Lampes	53
Vacation and Moving Care	15	Cuidado durante las vacaciones y mudanzas	34	Précautions à prendre pour les vacances ou le déménagement	53
TROUBLESHOOTING	16	SOLUCIÓN DE PROBLEMAS	35	DÉPANNAGE	54
Accessories	17	Accesorios	36	Accessoires	55
WARRANTY	18	GARANTÍA	37	GARANTIE	56

REFRIGERATOR SAFETY

Your safety and the safety of others are very important.

We have provided many important safety messages in this manual and on your appliance. Always read and obey all safety messages.



This is the safety alert symbol.

This symbol alerts you to potential hazards that can kill or hurt you and others.

All safety messages will follow the safety alert symbol and either the word "DANGER" or "WARNING."

These words mean:

⚠ DANGER

You can be killed or seriously injured if you don't immediately follow instructions.

⚠ WARNING

You can be killed or seriously injured if you don't follow instructions.

All safety messages will tell you what the potential hazard is, tell you how to reduce the chance of injury, and tell you what can happen if the instructions are not followed.

IMPORTANT SAFETY INSTRUCTIONS

WARNING: To reduce the risk of fire, electric shock, or injury when using your refrigerator, follow these basic precautions:

- Plug into a grounded 3 prong outlet.
- Do not remove ground prong.
- Do not use an adapter.
- Do not use an extension cord.
- Disconnect power before servicing.
- Replace all parts and panels before operating.
- Remove doors from your old refrigerator.
- Use nonflammable cleaner.
- Keep flammable materials and vapors, such as gasoline, away from refrigerator.
- Use two or more people to move and install refrigerator.
- Disconnect power before cleaning fan cover.
- If the power supply cord is damaged, it must be replaced by the manufacturer or its service agent or a similarly qualified person, in order to avoid a hazard.
- Keep ventilation opening, in the appliance enclosure or in the built-in structure, clear of obstruction.
- This appliance is not intended for use by persons (including children) with reduced physical, sensory or mental capabilities, or lack of experience and knowledge, unless they have been given supervision or instruction concerning use of the appliance by a person responsible for their safety. Children should be supervised to ensure they do not play with the appliance.
- Do not use mechanical devices or other means to accelerate the defrosting process, other than those recommended by the manufacturer.
- Do not use electrical appliances inside the food storage compartments of the appliances, unless they are of the type recommended by the manufacturer.
- Do not damage the refrigerant circuit.

SAVE THESE INSTRUCTIONS

Proper Disposal of Your Old Refrigerator

⚠ WARNING

Suffocation Hazard

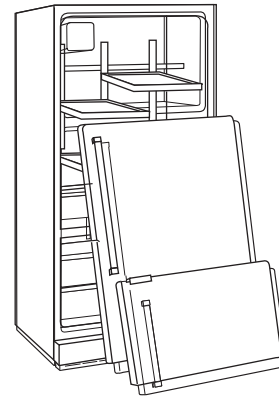
Remove doors or lid from your old freezer or refrigerator.

Failure to do so can result in death or brain damage.

IMPORTANT: Child entrapment and suffocation are not problems of the past. Junked or abandoned refrigerators are still dangerous – even if they will sit for “just a few days.” If you are getting rid of your old refrigerator, please follow these instructions to help prevent accidents.

Before You Throw Away Your Old Refrigerator or Freezer:

- Take off the doors.
- Leave the shelves in place so that children may not easily climb inside.



Important information to know about disposal of refrigerants:

Dispose of refrigerator in accordance with Federal and Local regulations. Refrigerants must be evacuated by a licensed, EPA certified refrigerant technician in accordance with established procedures.

INSTALLATION INSTRUCTIONS

Unpack the Refrigerator

⚠ WARNING

Excessive Weight Hazard

Use two or more people to move and install refrigerator.

Failure to do so can result in back or other injury.

Remove the Packaging

- Remove tape and glue residue from surfaces before turning on the refrigerator. Rub a small amount of liquid dish soap over the adhesive with your fingers. Wipe with a damp cloth, then dry with a soft cloth.
- Do not use sharp instruments, rubbing alcohol, flammable fluids, or abrasive cleaners to remove tape or glue. These products can damage the surface of your refrigerator. For more information, see “Refrigerator Safety.”
- Dispose of/recycle all packaging materials.

Before Use

When Moving Your Refrigerator:

Your refrigerator is heavy. When moving the refrigerator for cleaning or service, be sure to cover the floor with cardboard or hardboard to avoid floor damage. Always pull the refrigerator straight out when moving it. Do not wiggle or “walk” the refrigerator when trying to move it, as floor damage could occur.

IMPORTANT:

- To ensure best use of your refrigerator, read the instructions, which contain a description of the refrigerator and other useful information.

- Any work on the refrigerator must be carried out by a qualified service technician.
- Wait at least 2 hours before connecting the refrigerator to a power supply to ensure that the refrigerant circuit is fully efficient.
- During installation, keep the power cord out of the way to avoid damage.
- The refrigerator must be level and not tilted to the rear.

Clean Before Using

After you remove all of the package materials, clean the inside of your refrigerator before using it. See the cleaning instructions in “Refrigerator Care.”

Important information to know about glass shelves and covers:

Do not clean glass shelves or covers with warm water when they are cold. Shelves and covers may break if exposed to sudden temperature changes or impact, such as bumping. Tempered glass is designed to shatter into many small, pebble-size pieces. This is normal. Glass shelves and covers are heavy. Use both hands when removing them to avoid dropping.

Location Requirements

⚠ WARNING



Explosion Hazard

Keep flammable materials and vapors, such as gasoline, away from refrigerator.

Failure to do so can result in death, explosion, or fire.

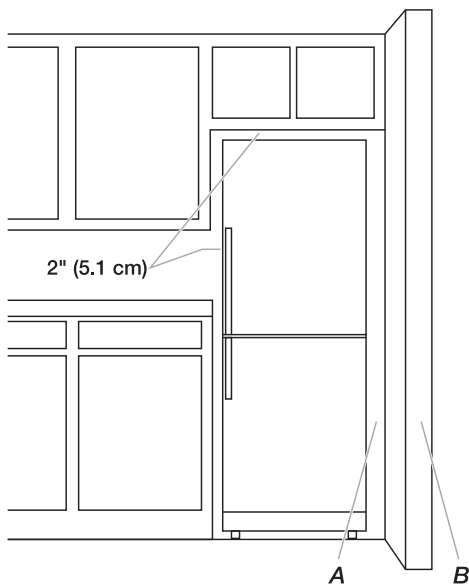
IMPORTANT:

- This refrigerator is designed for indoor household use only.
- Keep the refrigerator ventilation openings clear.

Ventilation and Clearance

To guarantee adequate ventilation, leave a space on both sides and above the appliance. The distance between the rear of the appliance and the wall behind the refrigerator should be at least 2" (5 cm). A reduction of this space will increase the energy consumption of product.

To allow the door to swing open when installing your refrigerator next to a fixed wall, the minimum amount of space required between the side of the refrigerator and the fixed wall depends on how far the wall protrudes into the room.



Fixed Wall (B)	Minimum Space (A)
Less than 47 ⁷ / ₈ " (121.6 cm)	0.2" (0.5 cm)
47 ⁷ / ₈ " (121.6 cm) or more	1.57" (4 cm)

Temperature

This refrigerator is intended for use in a location where the temperature ranges from a minimum of 50°F (10°C) to a maximum of 110°F (43°C). The preferred room temperature range for optimum performance, which reduces electricity usage and provides superior cooling, is between 61°F (16°C) and 110°F (43°C). It is recommended that you do not install the refrigerator near a heat source, such as an oven or radiator.

Electrical Requirements

⚠ WARNING



Electrical Shock Hazard

Plug into a grounded 3 prong outlet.

Do not remove ground prong.

Do not use an adapter.

Do not use an extension cord.

Failure to follow these instructions can result in death, fire, or electrical shock.

Before you move your refrigerator into its final location, it is important to make sure you have the proper electrical connection.

Recommended Grounding Method

A 115-volt, 60 Hz, AC-only, 15- or 20-amp fused, grounded electrical supply is required. It is recommended that a separate circuit serving only your refrigerator be provided. Use an outlet that cannot be turned off by a switch. Do not use an extension cord.

NOTE: Before performing any type of installation, cleaning, or removing a light bulb, disconnect the refrigerator from the electrical source. When you have finished, reconnect the refrigerator to the electrical source.

Reverse Door Swing (optional)

If you want to reverse the direction of the door swing so that the freezer and refrigerator doors open from the opposite side, see the following instructions.

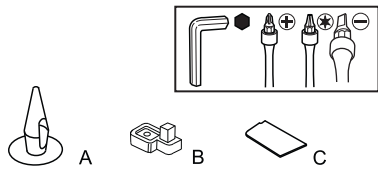
NOTE: The direction of the door opening can be changed. If this operation is performed by a service provider, it is not covered by the warranty. It is recommended to reverse the door swing with two people.

Follow instruction in the Installation Guide.

Gather the required tools and read all instructions before removing doors.

Parts Supplied: Locate the Reversibility Kit (provided) in the crisper drawer. The kit contains (2) hinge plugs, (1) door stopper, and (1) cap plug.

Tools Needed: hex key No. 4, TORX® T25†, Phillips screwdriver No. 1, flat-blade screwdriver and a TORX® T15®.



A. Hinge plug (2) B. Door stopper (1) C. Cap plug (1)

⚠ WARNING

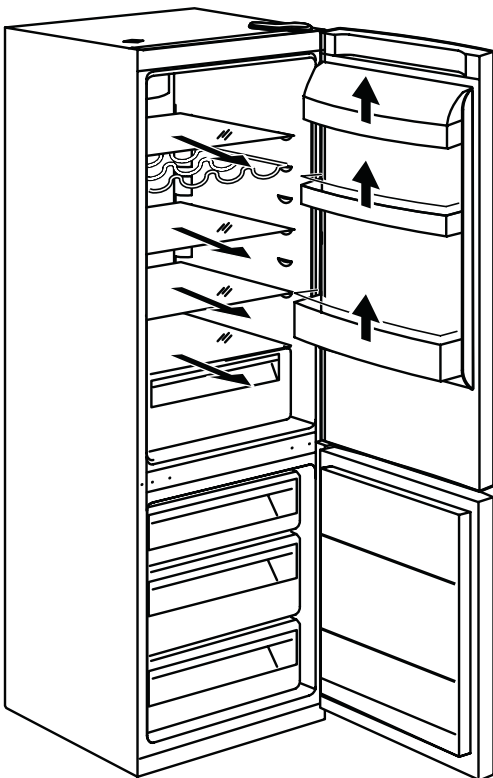


Electrical Shock Hazard

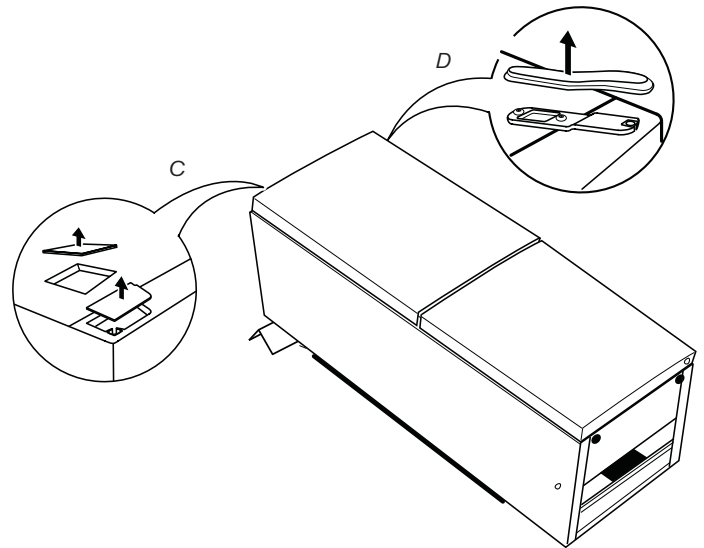
Disconnect power before removing doors.

Failure to do so can result in death or electrical shock.

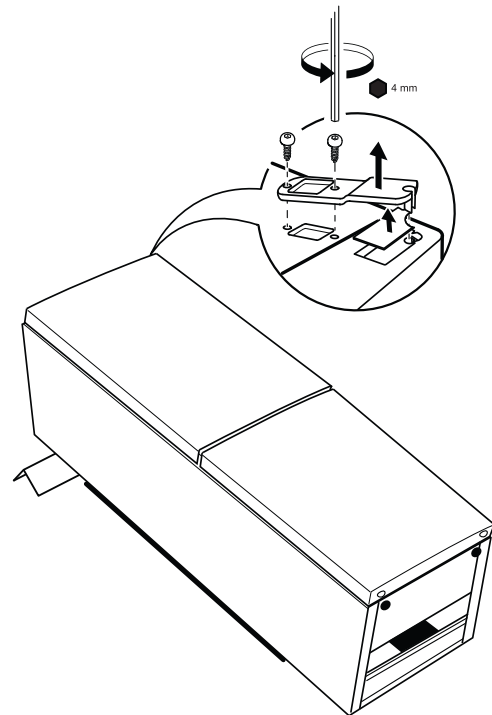
1. Before you begin, unplug refrigerator or disconnect power and remove food and door trays from the doors.



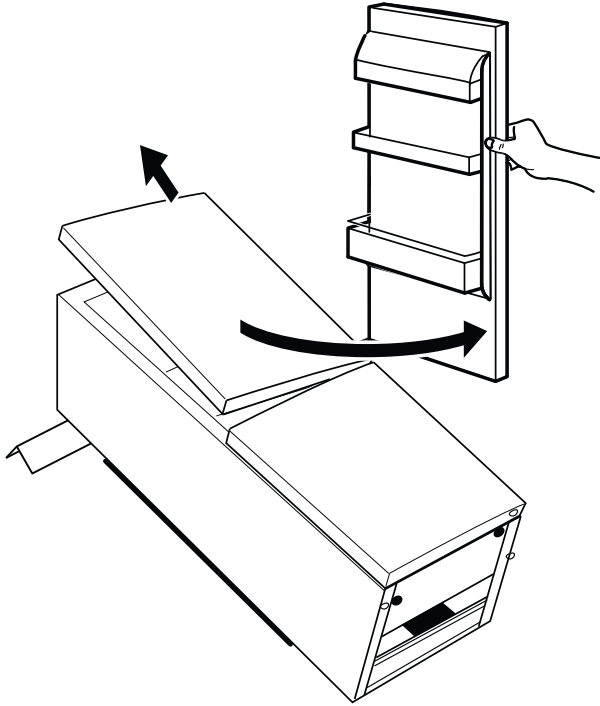
2. Remove the plugs from both sides. Do not discard the plugs.



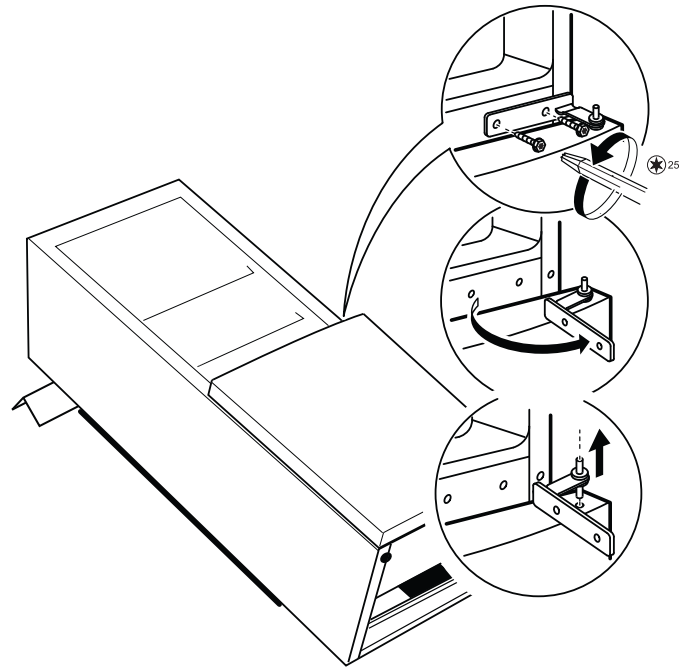
3. Remove screws using hex key No. 4, and then remove hinge.



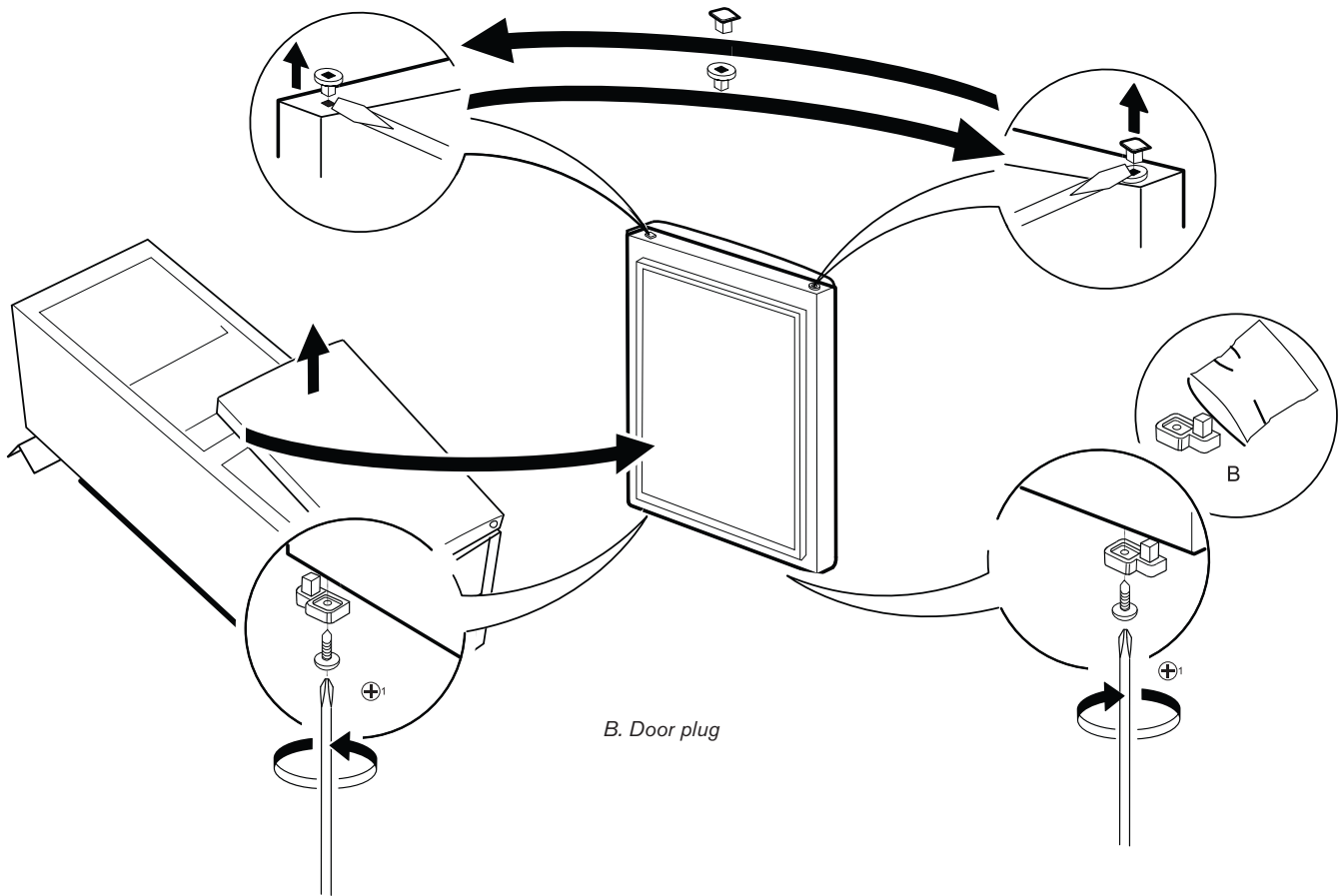
4. Open the door and lift upward to remove them. Set the door aside.



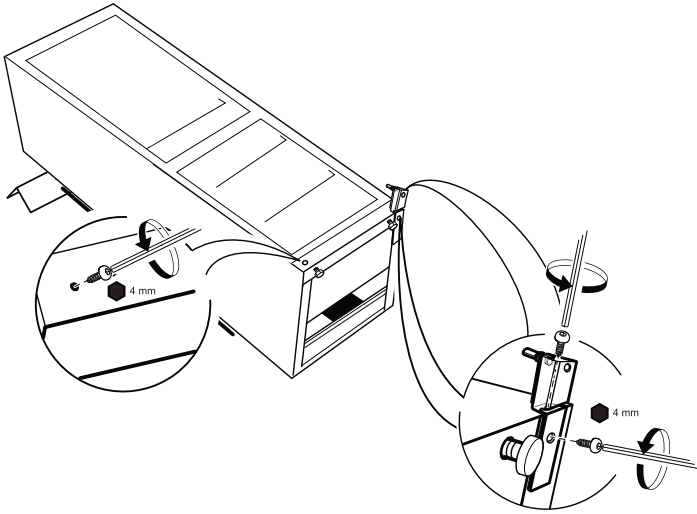
5. Remove the screws holding the center hinge. Pull up on the hinge to remove from door.



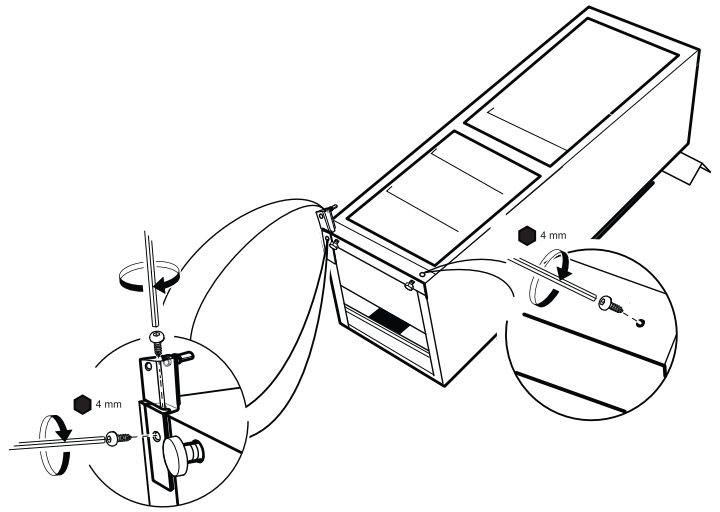
6. Open the door and lift upward to remove them. Move the square plug and the hinge bush from one side to the other (use a flat tool). Press in with your finger. Unscrew the door stopper from the bottom side of the door. Take the second one from the reversibility kit and screw it into the other side. Repeat the operation for both doors.



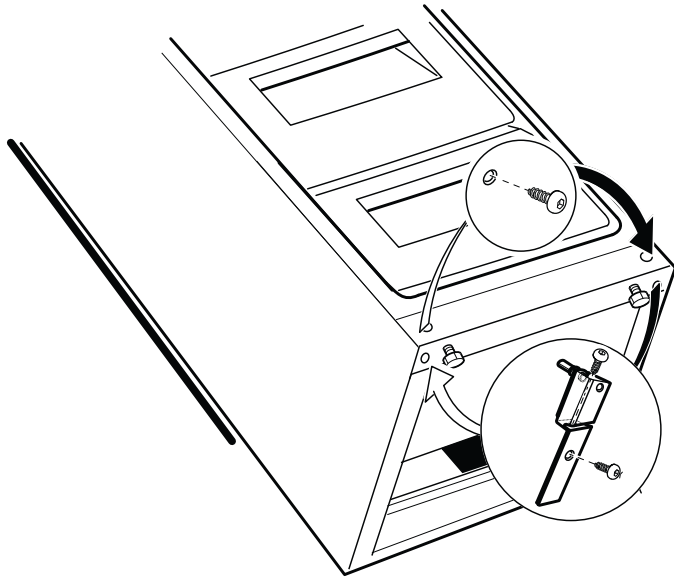
7. Remove the screws holding the bottom hinge, then remove the hinge and set it aside. Remove the screw from the bottom of the cabinet.



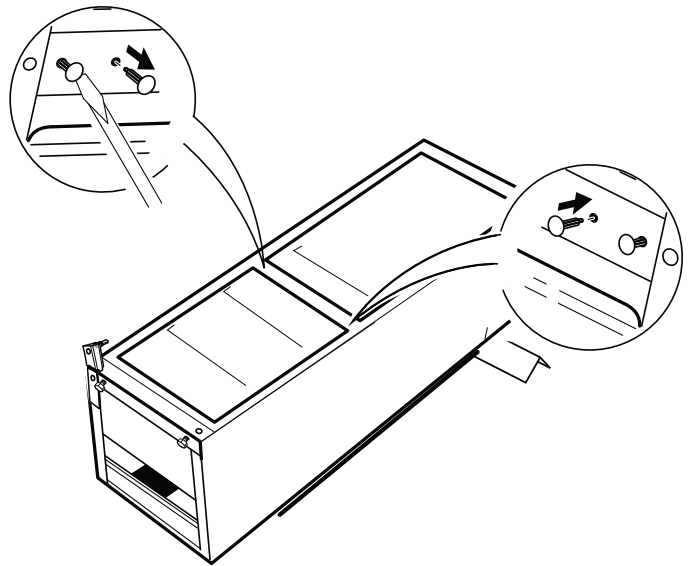
9. Reinstall the hinge, on the opposite side using the screws removed earlier.



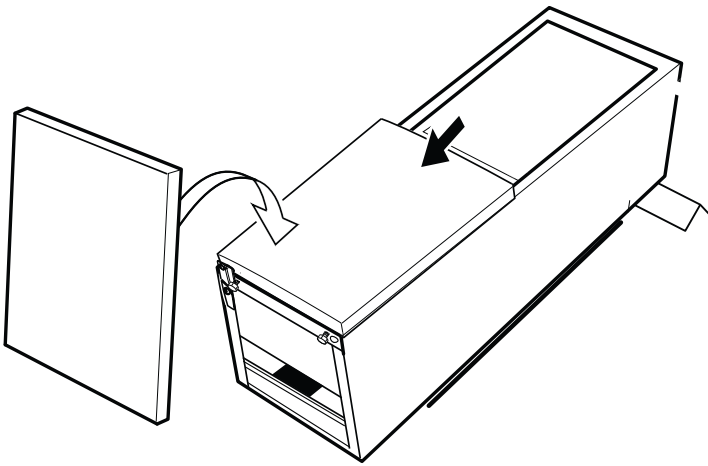
8. Replace the screw and the hinge to the opposite side.



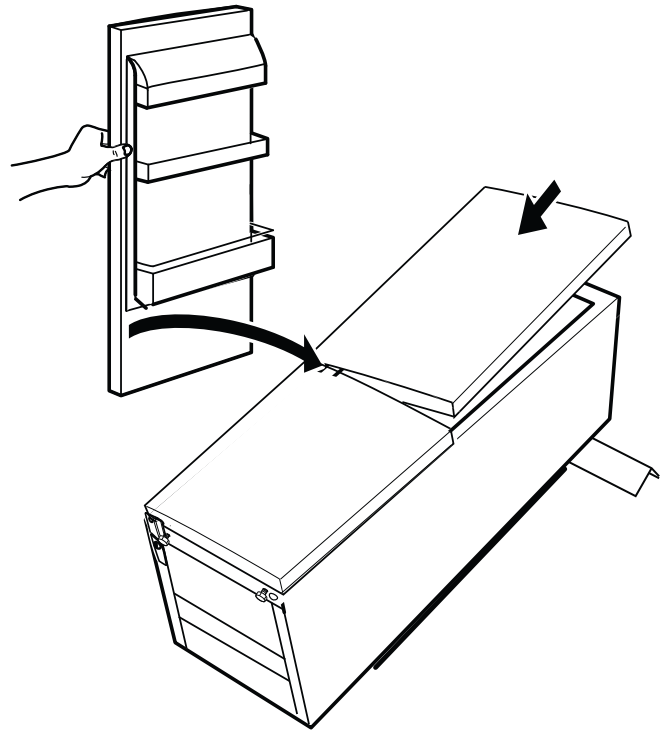
10. Remove the screw hole plugs and transfer them to the opposite side or use new ones from the reversibility kit. Press into place with your finger.



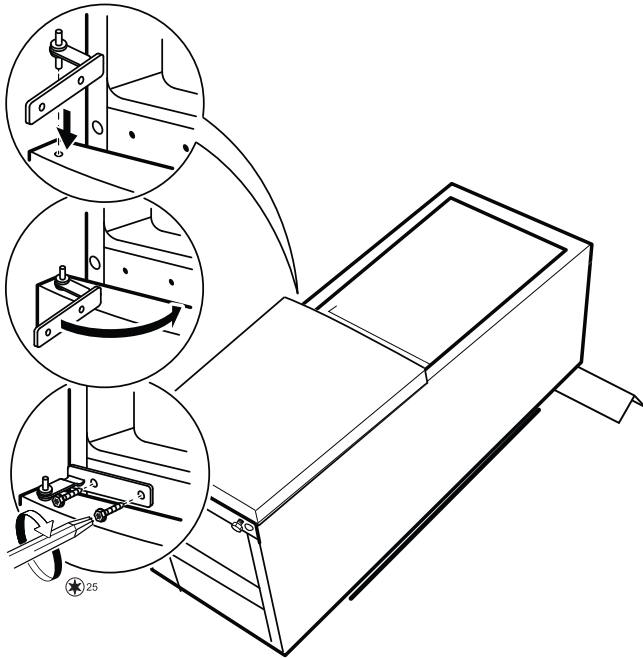
11. Place the lower door on the bottom hinge.



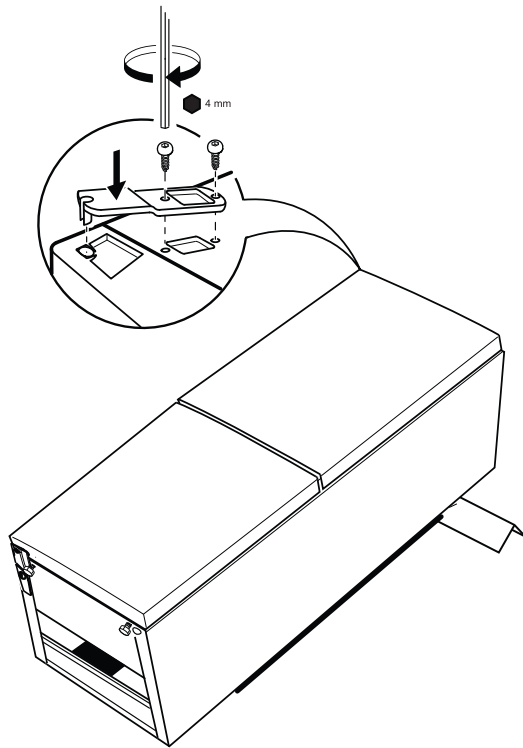
13. Place the upper door on the central hinge.



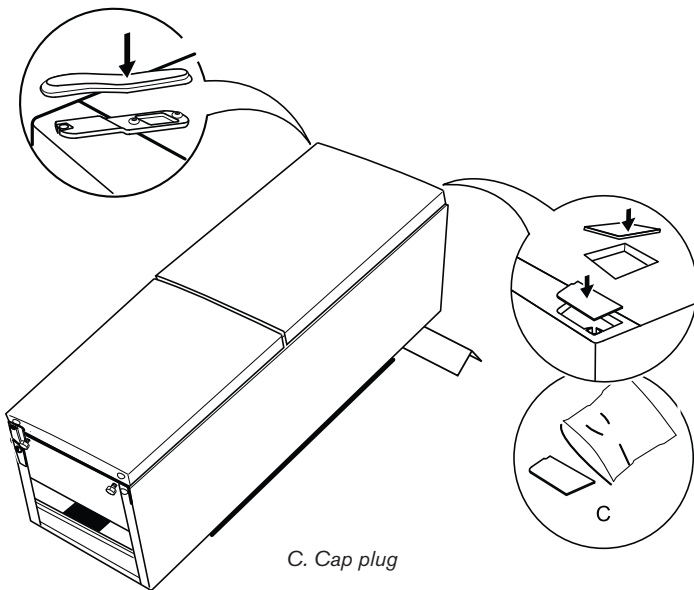
12. Take the central hinge. Insert in place on the top surface of the bottom door and screw it.



14. Screw the top hinge (use hexagonal screws).



15. Press the plugs into place.



Reverse Handles (if previously installed)

⚠ WARNING

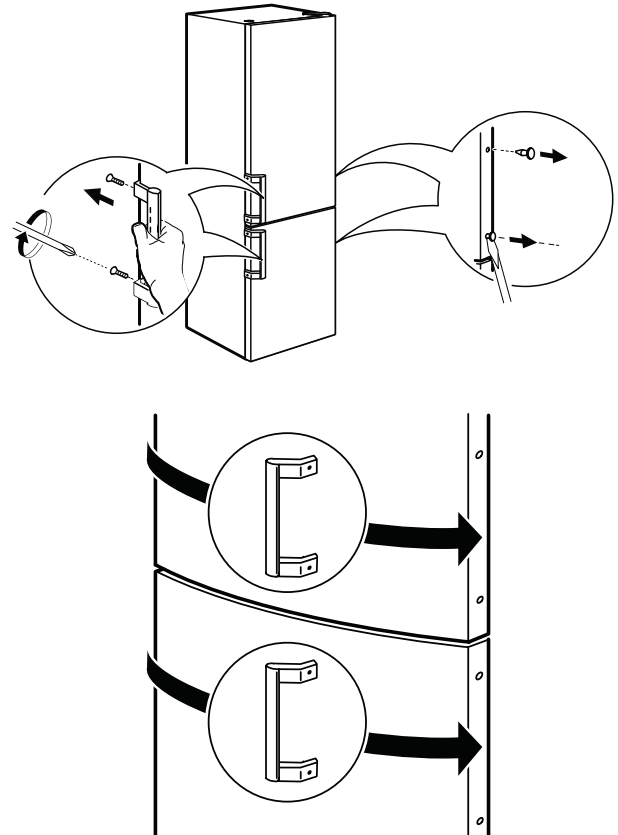


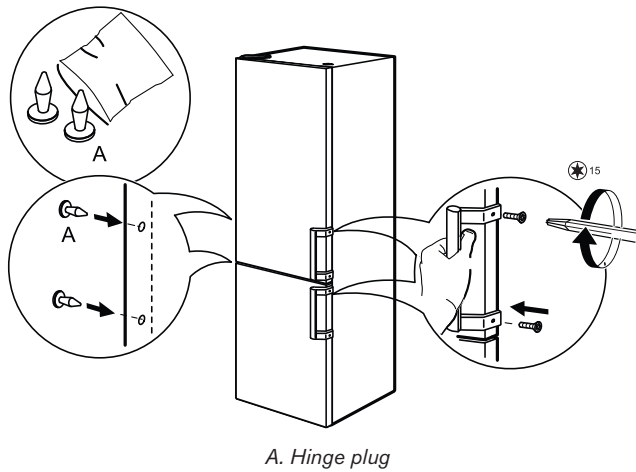
Electrical Shock Hazard

Disconnect power before removing doors.

Failure to do so can result in death or electrical shock.

1. Unplug refrigerator or disconnect power.
2. Using a TORX® T15®, remove the handles from the left-hand side of the door and remove the hole plugs from the right-hand side.
3. Insert the hole plugs (from the Reversibility Kit) into the holes remaining after the removal of the handles.
4. Install the door handles on the opposite side of the door.





A. Hinge plug

Final Steps

1. Check all holes to make sure that hole plugs and screws are in place and are fully tightened.

⚠ WARNING



Electrical Shock Hazard

Plug into a grounded 3 prong outlet.

Do not remove ground prong.

Do not use an adapter.

Do not use an extension cord.

Failure to follow these instructions can result in death, fire, or electrical shock.

2. Plug into a grounded 3 prong outlet.
NOTE: Allow refrigerator to stand upright at least 2 hours before plugging in.
3. Return all removable door parts to door and food to refrigerator.
NOTE: Wait at least 24 hours for your refrigerator to cool completely before adding food. If you add food before the refrigerator has cooled completely, your food may spoil.

Install Door Handles (on some models)

On some models the door handles are factory-installed. If your refrigerator does not have factory-installed handles, see the following instructions.

IMPORTANT: If you want to reverse the direction of the door swing, so that the freezer and refrigerator doors open from the opposite side, see “Reverse Door Swing” before installing the door handles.

Parts Supplied: The door handles are packed inside the freezer compartment, and the Reversibility kit containing the screws and hole plugs is in the crisper drawer in the refrigerator compartment.

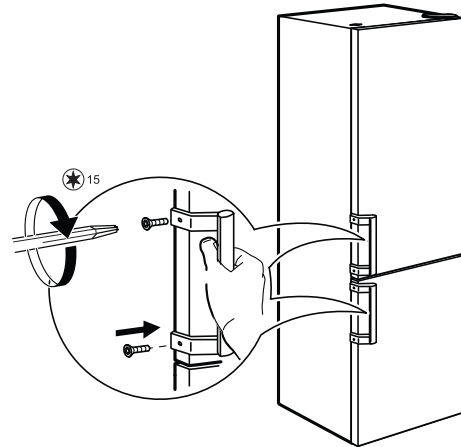
Parts	Location
■ Door handles (2)	Freezer compartment
■ Handle screws (4)	Crisper drawer
■ Handle plugs (4)	Crisper drawer

Gather the required tools.

Tools Needed: Phillips screwdriver

Install Handles

1. Remove the door handles from the packaging. Remove the screws and hole plugs from the Reversibility Kit.
2. Using the screws, fasten the handles to the doors.
3. Insert the handle plugs to cover the screws.



REFRIGERATOR USE

Using the Controls

The control panel is located at the top front of the refrigerator compartment.

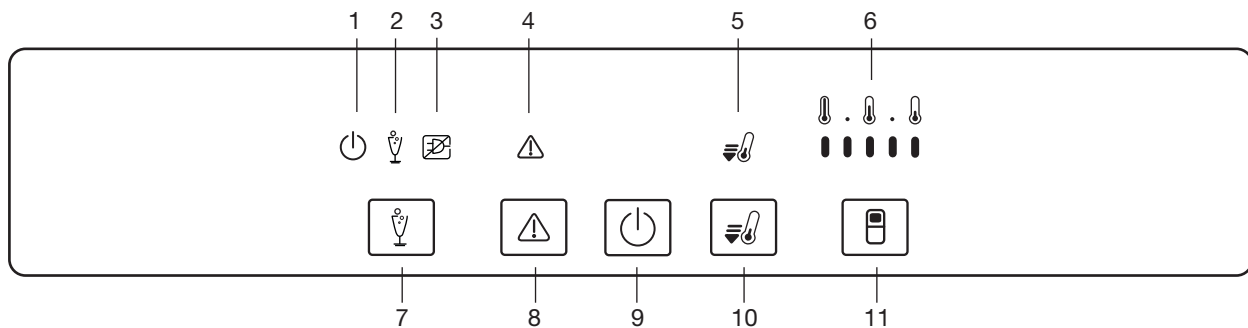
IMPORTANT:

- After you plug in the refrigerator, it automatically begins to cool.
- The indicator LEDs on the control panel light up for approximately 1 second and, following the initialization process, the temperature set point is displayed.
- The controls are set correctly when milk or juice is as cold as you like and when ice cream is firm.

- Wait at least 24 hours for your refrigerator to cool completely before adding food. If you add food before the refrigerator has cooled completely, your food may spoil.

NOTE: Adjusting the refrigerator and freezer temperature controls to a colder-than-recommended setting will not cool the compartments any faster.

- If the temperature is too warm or too cold in the refrigerator or freezer, first check the air vents to be sure they are not blocked before adjusting the controls.



- | | |
|------------------------------|-------------------------------------|
| 1. ON/STANDBY indicator | 7. PARTY MODE button |
| 2. PARTY MODE indicator | 8. STOP ALARM button |
| 3. BLACK OUT ALARM indicator | 9. ON/STANDBY button |
| 4. STOP ALARM indicator | 10. FAST FREEZE button |
| 5. FAST FREEZE indicator | 11. REFRIGERATOR TEMPERATURE button |
| 6. TEMPERATURE DISPLAY | |

Functions

On/Standby

To put the product in Standby mode, press and hold the ON/STANDBY button for 3 seconds. All the indicators turn off except On/Standby indicator.

Press again to reactivate.

Party Mode

Press the PARTY MODE button to activate/deactivate the Party Mode function. Use this function to chill drinks inside the freezer compartment.

IMPORTANT: Do not leave inside the freezer compartment longer than the function is active (30 minutes).

Fast Freeze

The use of this function is recommended when placing a very high quantity of food to be frozen in the freezer compartment. Twenty-four hours before freezing, press the Freezer button to activate the Fast Freeze function. When activated, the Fast Freeze indicator turns on. After 24 hours, place the food to be frozen in the middle of the freezer compartment. The function is automatically disabled after 48 hours or can be manually disabled by pressing the Fast Freeze button.

Refrigerator Light

The light system inside the refrigerator compartment uses LED lights, allowing for better lighting as well as a very low energy consumption.

If the LED light system does not work, please contact a service provider to arrange for repair.

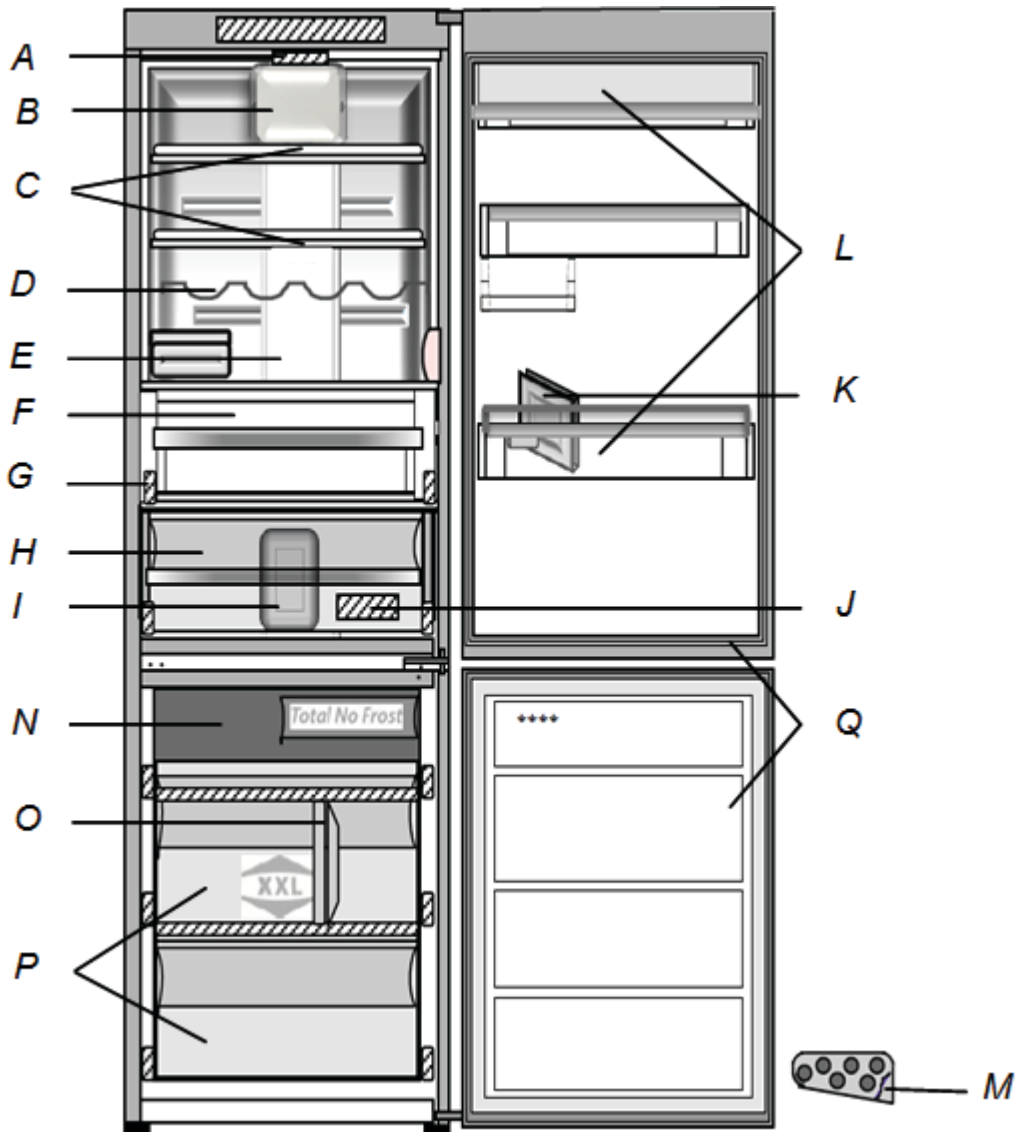
IMPORTANT: The refrigerator compartment light switches on when the refrigerator door is opened. If the door is kept open for more than 10 minutes, the light will automatically be switched off.

ALARM TABLE

ALARM TYPE	Signal	Cause	Cure
Door Open alarm	The Acoustical alarm is activated and the Alarm indicator blinks.	The refrigerator or freezer door has remained open for more than 2 minutes.	Close the door or press the STOP ALARM to mute the acoustical alarm.
Temperature alarm	The Temperature display blinks (°C) and the Alarm indicator remains ON.	The inside temperature is not adequate.	Press the STOP ALARM button; the acoustical alarm stops.
Long Blackout alarm	The Blackout Alarm icon remains on, the Alarm indicator blinks, and the Temperature display (°C) blinks, showing the maximum temperature reached during blackout.	Prolonged power failure, able to cause the inside temperature to increase to 0°C.	Press the STOP ALARM button; the acoustical alarm stops.
Party Mode alarm	The Party Mode indicator blinks and the Acoustical alarm is activated.	30 min. elapsed since Party Mode function has been activated. Remove bottle(s) from the freezer.	Press the STOP ALARM button to stop the alarm.
Malfunction	The letter "F" blinks on the display.	Product malfunction.	Contact your service provider.

REFRIGERATOR FEATURES

Depending on your model, the number and type of features may vary.



- | | |
|--------------------------------|---------------------------------------|
| A. LED lighting | J. Reversibility kit |
| B. Fan | K. Separator |
| C. Shelves | L. Door trays |
| D. Bottle rack | M. Egg tray |
| E. Multi-flow cold air system | N. Upper basket (Total No Frost zone) |
| F. Cooler compartment (meat) | O. Drawer divider |
| G. Rating plate | P. Shelves |
| H. Fruit and vegetable crisper | Q. Door seals |
| I. Refrigerator drawer divider | |

Refrigerator Shelves

The shelves and door trays in your refrigerator are removable and adjustable to meet your storage needs.

NOTES:

- Storing similar food items together in your refrigerator and adjusting the shelves to fit different heights of items will make finding the exact item you want easier. It will also reduce the amount of time the refrigerator door is open and save energy.
- The refrigerator interior parts are not dishwasher safe.

Glass Shelves

Important information to know about glass shelves and covers:

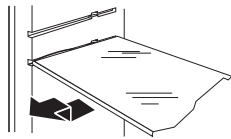
Do not clean glass shelves or covers with warm water when they are cold. Shelves and covers may break if exposed to sudden temperature changes or impact, such as bumping. Tempered glass is designed to shatter into many small, pebble-size pieces. This is normal. Glass shelves and covers are heavy. Use both hands when removing them to avoid dropping.

To remove a shelf:

1. Remove items from the shelf.
2. Slide the shelf straight out to the stop.
3. Lift the back of the shelf past the stop. Pull the shelf out the rest of the way.

To replace a shelf:

1. Slide the back of the shelf into the track in the wall of the cabinet.
2. Guide the front of the shelf into the shelf track. Be sure to slide the shelf in all the way.

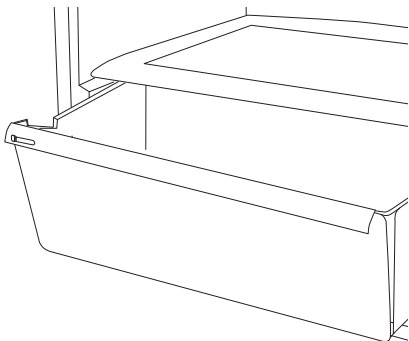


Cooler Compartment (on some models)

The cooler compartment is the optimum place to store fresh meat, poultry, and fish.

To remove and replace the drawer:

1. Slide drawer straight out to the stop. Lift the drawer from the slide rails and pull out the rest of the way.
2. Replace the drawer by placing it on the slide rails and pushing it back into position past the drawer stop.



Fan

The fan improves temperature distribution inside the refrigerator compartment, allowing better preservation of stored food. By default, the fan is on.

NOTE: Do not block the air intake area.



Freezer Compartment

To increase storage space and for larger items, the freezer compartment can be used without the baskets. Remove the baskets and place the items directly on the glass shelves.

REFRIGERATOR CARE

Cleaning

WARNING



Explosion Hazard

Use nonflammable cleaner.

Failure to do so can result in death, explosion, or fire.

Periodically clean the appliance with a cloth and a solution of lukewarm water and neutral detergent specifically for refrigerator interiors.

Clean the outside of the appliance and the door seal with a damp cloth and dry with a soft cloth.

IMPORTANT:

- Because air circulates between both sections, any odors formed in one section will transfer to the other. You must thoroughly clean both sections to eliminate odors. To avoid odor transfer and drying out of food, wrap or cover foods tightly.
- For stainless steel models, stainless steel is corrosion-resistant but not corrosion-proof. To help avoid corrosion of your stainless steel, keep your surfaces clean by using the following cleaning instructions.
- The buttons and control panel display must not be cleaned with alcohol or alcohol-derived substances but with a dry cloth.
- The refrigeration system pipes are located near the defrost pan and can become hot. Periodically clean them with a vacuum cleaner.

Cleaning the Refrigerator

NOTE: Do not use abrasive or harsh cleaners such as window sprays, scouring cleansers, flammable fluids, muriatic acid, cleaning waxes, concentrated detergents, bleaches, or cleansers containing petroleum products on exterior surfaces (doors and cabinet), plastic parts, interior and door liners, or gaskets. Do not use paper towels, scouring pads, or other harsh cleaning tools.

1. Unplug refrigerator or disconnect power.
2. Hand wash, rinse, and dry removable parts and interior surfaces thoroughly. Use a clean sponge or soft cloth and a mild detergent in warm water.
3. Clean the exterior surfaces.
Painted metal: Wash painted metal exteriors with a clean, soft cloth or sponge and a mild detergent in warm water. Rinse surfaces with clean, warm water and dry immediately to avoid water spots.
Stainless steel: Wash stainless steel surfaces with a clean, soft cloth or sponge and a mild detergent in warm water. Rinse surfaces with clean, warm water and dry immediately to avoid water spots.
NOTE: When cleaning stainless steel, always wipe in the direction of the grain to avoid cross-grain scratching.
4. There is no need for routine condenser cleaning in normal home operating environments. If the environment is particularly greasy or dusty, or there is significant pet traffic in the home, the condenser should be cleaned every 2 to 3 months to ensure maximum efficiency. If you need to clean the condenser, use a vacuum cleaner.
5. Plug in refrigerator or reconnect power.

Defrosting

NO-FROST REFRIGERATOR COMPARTMENT:

Refrigerator compartment defrosting is completely automatic. The defrost water is automatically run into a drain hole hidden behind Multi-flow and collected in a container, where it evaporates.

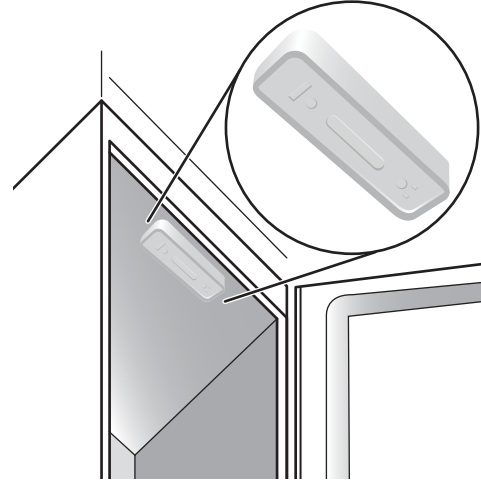
NO-FROST FREEZER COMPARTMENT:

No-frost freezers provide chilled air circulation around the storage areas and prevent the formation of ice, thereby completely eliminating the need for defrosting. Frozen items don't stick to the walls, labeling stays legible, and storage space remains neat and clear.

Lights

The light system inside the fridge compartment uses LEDs light, allowing for better lighting as well as very low energy consumption. If the LED light system does not work, please contact an authorized service provider to replace it.

Important: The refrigerator compartment light switches on when the refrigerator door is opened. If the door is kept open for more than 4 minutes, the light will be automatically switched off.



Vacation and Moving Care

Vacation

If You Choose to Leave the Refrigerator On While You're Away:

Use up or freeze perishable food.

If You Choose to Turn Off the Refrigerator Before You Leave:

1. Remove all food from the refrigerator.
2. Tape rubber or wood blocks to the tops of both doors to prop them open far enough for air to get in. This stops odor and mold from building up.

Moving


1. Take out all removable parts, wrap them well, and tape them together so they don't shift and rattle during the move.
2. Unplug refrigerator.
3. Raise the leveling screws so they don't scrape the floor.
4. Tape the doors closed and tape the power cord to the back of the refrigerator.

When you get to your new home, put everything back and refer to the "Installation Instructions" section for preparation instructions.

TROUBLESHOOTING

Try the solutions suggested here first before calling for assistance.

⚠ WARNING



Electrical Shock Hazard

Plug into a grounded 3 prong outlet.

Do not remove ground prong.

Do not use an adapter.

Do not use an extension cord.

Failure to follow these instructions can result in death, fire, or electrical shock.

⚠ WARNING



Explosion Hazard

Use nonflammable cleaner.

Failure to do so can result in death, explosion, or fire.

If you experience	Possible Causes	Recommended Solutions
<p>The refrigerator is not working</p>	<ul style="list-style-type: none"> ■ There may be an appliance power supply problem 	<ul style="list-style-type: none"> ■ Check if power cable plugged into a live socket with the proper voltage. ■ Check if the protection devices and fuses of the electrical system in your home.
<p>The motor seems to run too much</p>	<p>Motor running time depends on different things: number of door openings, amount of food stored, temperature of the room, setting of the temperature controls.</p>	<ul style="list-style-type: none"> ■ Make sure that the refrigerator controls are correctly set. ■ Check if there is not a large amount of food has been added to the refrigerator. ■ Check that the door is not opened too often. ■ Check that the door closes properly.
<p>The refrigerator seems noisy</p> <p>Functional noise can be reduced by leveling the refrigerator and ensuring it is located on an even floor.</p>	<p>The following sounds coming from your appliances are normal since it has a number of fans and engines to regulate performances that switch on and off automatically:</p>	<ul style="list-style-type: none"> ■ Hissing - When refrigerator comes on the first time or after a long pause in operation. ■ Gurgling - Refrigerant fluid entering the pipes. ■ Buzzing - When the water valve or fan starts working. ■ Cracking - When the compressor starts. ■ Abrupt Clicks - When the thermostat adjusts how often the compressor is running.
<p>The doors do not open and close properly</p>	<ul style="list-style-type: none"> ■ There could be various causes (see “Solutions”) 	<ul style="list-style-type: none"> ■ Check that food packages are not blocking the door. ■ Check that the internal parts are not out of position. ■ Check that the door seals are not dirty or sticky. ■ Ensure the refrigerator is level.

If you experience	Possible Causes	Recommended Solutions
The light does not work	<ul style="list-style-type: none"> ■ The light may need replacing ■ The refrigerator may be in On/Standby mode 	<ul style="list-style-type: none"> ■ Make sure the protection devices and fuses in the electrical system in your home work well. ■ Check if the power cable is plugged into a live socket with the proper voltage. ■ In case the LEDs are broken the user must call Service for exchange of the same type available only at our after sales service centers or authorized dealer.
Temperature is too warm	<ul style="list-style-type: none"> ■ There could be various causes (see “Solutions”) 	<ul style="list-style-type: none"> ■ Make sure that the condenser (in back of the refrigerator) is free of dust and fluff. ■ Make sure that the door seals properly fitted. ■ On hot days or if the room is warm, the motor naturally runs longer. ■ If the refrigerator door has been left open for a while or if large amounts of food have been stored, the motor will run longer in order to cool down the interior of the refrigerator.
Temperature is too cold in the refrigerator/crisper	<ul style="list-style-type: none"> ■ Refrigerator air vent(s) are blocked ■ Controls are not set correctly for the surrounding conditions 	<ul style="list-style-type: none"> ■ If the air vent is blocked by items placed directly in front of it, the refrigerator will get too cold. Move items away from the air vent. ■ Adjust the controls a setting warmer. Check the temperature in 24 hours.
Interior moisture buildup	<ul style="list-style-type: none"> ■ The room is humid ■ The doors are opened often or not closed completely ■ The airflow vents inside the compartment are blocked ■ Food packages are damp 	<ul style="list-style-type: none"> ■ A humid environment contributes to moisture buildup. ■ Allows humid air to enter refrigerator. Minimize door openings and close doors completely. ■ Move items away from the airflow vents. ■ Package food properly and dry any dampness on storage containers before placing them in the refrigerator.
There is water in the defrost pan	<ul style="list-style-type: none"> ■ This is normal in hot, damp weather. The pan can even be half full 	<ul style="list-style-type: none"> ■ Make sure the refrigerator is level so that the water does not overflow.
Edges of refrigerator, which come into contact with the door seal, are warm to the touch	<ul style="list-style-type: none"> ■ This is not a defect. This is normal in hot weather and when the compressor is running 	

Accessories

The following accessories are available for your refrigerator. To order an accessory, contact us and ask for the part number. In the U.S.A., visit our web site www.whirlpool.com/accessories or call 1-800-253-1301. In Canada, visit our web site www.whirlpoolparts.ca or call 1-800-807-6777.

affresh® Stainless Steel Cleaner:
In U.S.A., order Part #W10355016
In Canada, order Part #W10355016B

affresh® Stainless Steel Wipes:
In U.S.A., order Part #W10355049
In Canada, order Part #W10355049B

affresh® Kitchen & Appliance Cleaner:
In U.S.A., order Part #W10355010
In Canada, order Part #W10355010B

WHIRLPOOL CORPORATION MAJOR APPLIANCE LIMITED WARRANTY

ATTACH YOUR RECEIPT HERE. PROOF OF PURCHASE IS REQUIRED TO OBTAIN WARRANTY SERVICE.

Please have the following information available when you call the Customer eXperience Center:

- Name, address, and telephone number
- Model number and serial number
- A clear, detailed description of the problem
- Proof of purchase including dealer or retailer name and address

IF YOU NEED SERVICE:

1. Before contacting us to arrange service, please determine whether your product requires repair. Some questions can be addressed without service. Please take a few minutes to review the Troubleshooting or Problem Solver section of the Use and Care Guide.
2. All warranty service is provided exclusively by our authorized Whirlpool Service Providers. In the U.S. and Canada, direct all requests for warranty service to:

Whirlpool Customer eXperience Center
In the U.S.A., call 1-800-253-1301. In Canada, call 1-800-807-6777.

If outside the 50 United States and Canada, contact your authorized Whirlpool dealer to determine whether another warranty applies.

ONE YEAR LIMITED WARRANTY

WHAT IS COVERED

For one year from the date of purchase, when this major appliance is installed, operated, and maintained according to instructions attached to or furnished with the product, Whirlpool Corporation or Whirlpool Canada LP (hereafter "Whirlpool") will pay for Factory Specified Replacement Parts and repair labor to correct defects in materials or workmanship that existed when this major appliance was purchased, or at its sole discretion replace the product. In the event of product replacement, your appliance will be warranted for the remaining term of the original unit's warranty period.

YOUR SOLE AND EXCLUSIVE REMEDY UNDER THIS LIMITED WARRANTY SHALL BE PRODUCT REPAIR AS PROVIDED HEREIN. Service must be provided by a Whirlpool designated service company. This limited warranty is valid only in the United States or Canada and applies only when the major appliance is used in the country in which it was purchased. This limited warranty is effective from the date of original consumer purchase. Proof of original purchase date is required to obtain service under this limited warranty.

WHAT IS NOT COVERED

1. Commercial, non-residential, multiple-family use, or use inconsistent with published user, operator, or installation instructions.
2. In-home instruction on how to use your product.
3. Service to correct improper product maintenance or installation, installation not in accordance with electrical or plumbing codes, or correction of household electrical or plumbing (i.e. house wiring, fuses, or water inlet hoses).
4. Consumable parts (i.e. light bulbs, batteries, air or water filters, preservation solutions, etc.).
5. Defects or damage caused by the use of non-genuine Whirlpool parts or accessories.
6. Conversion of your product from natural gas or L.P. gas or reversal of appliance doors.
7. Damage from accident, misuse, abuse, fire, floods, acts of God, or use with products not approved by Whirlpool.
8. Repairs to parts or systems to correct product damage or defects caused by unauthorized service, alteration, or modification of the appliance.
9. Cosmetic damage including scratches, dents, chips, and other damage to appliance finishes unless such damage results from defects in materials and workmanship and is reported to Whirlpool within 30 days.
10. Discoloration, rust, or oxidation of surfaces resulting from caustic or corrosive environments, including but not limited to, high salt concentrations, high moisture or humidity, or exposure to chemicals.
11. Food or medicine loss due to product failure.
12. Pick-up or delivery. This product is intended for in-home repair.
13. Travel or transportation expenses for service in remote locations where an authorized Whirlpool servicer is not available.
14. Removal or reinstallation of inaccessible appliances or built-in fixtures (i.e. trim, decorative panels, flooring, cabinetry, islands, countertops, drywall, etc.) that interfere with servicing, removal, or replacement of the product.
15. Service or parts for appliances with original model/serial numbers removed, altered, or not easily determined.

The cost of repair or replacement under these excluded circumstances shall be borne by the customer.

DISCLAIMER OF IMPLIED WARRANTIES

IMPLIED WARRANTIES, INCLUDING ANY IMPLIED WARRANTY OF MERCHANTABILITY OR IMPLIED WARRANTY OF FITNESS FOR A PARTICULAR PURPOSE, ARE LIMITED TO ONE YEAR OR THE SHORTEST PERIOD ALLOWED BY LAW. Some states and provinces do not allow limitations on the duration of implied warranties of merchantability or fitness, so this limitation may not apply to you. This warranty gives you specific legal rights, and you also may have other rights that vary from state to state or province to province.

DISCLAIMER OF REPRESENTATIONS OUTSIDE OF WARRANTY

Whirlpool makes no representations about the quality, durability, or need for service or repair of this major appliance other than the representations contained in this warranty. If you want a longer or more comprehensive warranty than the limited warranty that comes with this major appliance, you should ask Whirlpool or your retailer about buying an extended warranty.

LIMITATION OF REMEDIES; EXCLUSION OF INCIDENTAL AND CONSEQUENTIAL DAMAGES

YOUR SOLE AND EXCLUSIVE REMEDY UNDER THIS LIMITED WARRANTY SHALL BE PRODUCT REPAIR AS PROVIDED HEREIN. WHIRLPOOL SHALL NOT BE LIABLE FOR INCIDENTAL OR CONSEQUENTIAL DAMAGES. Some states and provinces do not allow the exclusion or limitation of incidental or consequential damages, so these limitations and exclusions may not apply to you. This warranty gives you specific legal rights, and you also may have other rights that vary from state to state or province to province.

INSTRUCCIONES PARA EL USUARIO DEL REFRIGERADOR

LE AGRADECEMOS la compra de este producto de alta calidad. Registre su nuevo refrigerador en www.whirlpool.com.

Para referencia futura, tome nota de los números de modelo y de serie de su producto. Estos se pueden encontrar en la pared interior del compartimiento del refrigerador.

Número de modelo _____ Número de serie _____

SEGURIDAD DEL REFRIGERADOR

Su seguridad y la seguridad de los demás es muy importante.

Hemos incluido muchos mensajes importantes de seguridad en este manual y en su electrodoméstico. Lea y obedezca siempre todos los mensajes de seguridad.



Este es el símbolo de alerta de seguridad.

Este símbolo le llama la atención sobre peligros potenciales que pueden ocasionar la muerte o una lesión a usted y a los demás.

Todos los mensajes de seguridad irán a continuación del símbolo de advertencia de seguridad y de la palabra "PELIGRO" o "ADVERTENCIA". Estas palabras significan:

 **PELIGRO**

Si no sigue las instrucciones de inmediato, usted puede morir o sufrir una lesión grave.

 **ADVERTENCIA**

Si no sigue las instrucciones, usted puede morir o sufrir una lesión grave.

Todos los mensajes de seguridad le dirán el peligro potencial, le dirán cómo reducir las posibilidades de sufrir una lesión y lo que puede suceder si no se siguen las instrucciones.

INSTRUCCIONES IMPORTANTES DE SEGURIDAD

ADVERTENCIA: Para reducir el riesgo de incendio, descarga eléctrica, o lesiones personales al usar su refrigerador siga estas precauciones básicas:

- Conecte el producto a un contacto de pared de 3 terminales con conexión a tierra.
- No quite la terminal de conexión a tierra.
- No use un adaptador.
- No use un cable eléctrico de extensión.
- Desconecte el suministro de energía antes de darle servicio.
- Vuelva a colocar todas las piezas y paneles antes de ponerlo a funcionar.
- Remueva las puertas de su refrigerador viejo.
- Use un limpiador no inflamable
- Mantenga los materiales y vapores inflamables, tales como gasolina, alejados del refrigerador.
- Use dos o más personas para mover e instalar el refrigerador.
- Desconecte el suministro eléctrico antes de limpiar la cubierta del ventilador.
- Si se ha dañado el cable de suministro eléctrico, deberá ser reemplazado por el fabricante, por el agente de servicio del fabricante o por una persona con calificación similar, con el fin de evitar riesgos.
- Mantenga la apertura de ventilación, en el gabinete del electrodoméstico o en la estructura integrada, libre de obstrucciones.
- Este aparato no ha sido diseñado para ser usado por personas (incluidos niños) con capacidad física, sensorial o mental reducida, o con falta de experiencia y conocimiento, a menos que lo hagan bajo supervisión o siguiendo las instrucciones relativas al uso del aparato, a cargo de una persona responsable por su seguridad. Los niños deberán estar bajo supervisión para asegurarse de que no jueguen con el electrodoméstico.
- No use dispositivos mecánicos ni otros medios para acelerar el proceso de descongelado, sino solo lo recomendados por el fabricante.
- No use aparatos eléctricos dentro de los compartimientos de almacenamiento de alimentos de los electrodomésticos, a menos que sean del tipo recomendado por el fabricante.
- No dañe el circuito de refrigerante.

GUARDE ESTAS INSTRUCCIONES

Cómo deshacerse adecuadamente de su refrigerador viejo

⚠ ADVERTENCIA

Peligro de Asfixia

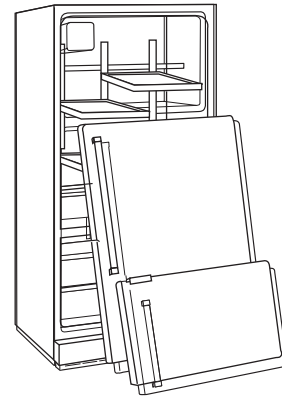
Remueva las puertas de su refrigerador viejo.

No seguir esta instrucción puede ocasionar la muerte o daño al cerebro.

IMPORTANTE: El atrapamiento y asfixia de niños no es un problema del pasado. Los refrigeradores tirados y abandonados son un peligro, aún si van a quedar ahí “por unos pocos días”. Si está por deshacerse de su refrigerador viejo, siga las instrucciones que se dan a continuación para prevenir accidentes.

Antes de desechar su viejo refrigerador o congelador:

- Saque las puertas.
- Deje los estantes en su lugar así los niños no pueden meterse adentro con facilidad.



Información importante para saber acerca del desecho de refrigerantes:

Deshágase del refrigerador siguiendo los reglamentos federales y locales. Los refrigerantes deberán ser evacuados por un técnico certificado en refrigeración por EPA (Agencia de protección del medioambiente) según los procedimientos establecidos.

INSTRUCCIONES DE INSTALACIÓN

Desembale el refrigerador

ADVERTENCIA

Peligro de Peso Excesivo

Use dos o más personas para mover e instalar el refrigerador.

No seguir esta instrucción puede ocasionar una lesión en la espalda u otro tipo de lesiones.

Cómo quitar los materiales de embalaje

- Quite los restos de cinta y goma de las superficies de su refrigerador antes de encenderlo. Frote un poco de detergente líquido para vajillas sobre el adhesivo con los dedos. Pase un paño húmedo y, después, seque con un paño suave.
- No use instrumentos filosos, alcohol para fricciones, líquidos inflamables o productos de limpieza abrasivos para eliminar los restos de cinta o goma. Estos productos pueden dañar la superficie de su refrigerador. Para más información, vea “Seguridad del refrigerador”.
- Deshágase de todos los materiales de empaque o recíclelos.

Antes del uso

Cómo mover su refrigerador:

Su refrigerador es pesado. Cuando mueva el refrigerador para limpiarlo o para darle servicio, cerciórese de cubrir el piso con cartón o madera para evitar daños en el mismo. Al mover el refrigerador, siempre tire directamente hacia afuera. No menee el refrigerador de lado a lado ni lo haga “caminar” cuando lo trate de mover ya que podría dañar el piso.

IMPORTANTE:

- Para garantizar un uso óptimo del refrigerador, lea las instrucciones, que contienen una descripción del refrigerador y otros datos útiles.
- Todo trabajo en el refrigerador debe ser realizado por un técnico de servicio calificado.
- Espere al menos 2 horas antes de conectar el refrigerador a una fuente de alimentación para asegurar que el circuito de refrigerante sea completamente eficiente.
- Durante la instalación, mantenga el cable eléctrico fuera del paso para evitar daños.
- El refrigerador debe estar nivelado y no inclinado hacia atrás.

Limpieza antes del uso

Una vez que haya quitado todos los materiales de empaque, limpie el interior de su refrigerador antes de usarlo. Vea las instrucciones de limpieza en “Cuidado de su refrigerador”.

Información importante para saber acerca de los estantes y tapas de vidrio:

No limpie los estantes y tapas de vidrio con agua caliente mientras están fríos. Los estantes y tapas pueden romperse si se exponen a cambios bruscos de temperatura o impacto, como sería un golpe brusco. El vidrio templado se ha diseñado para hacerse añicos. Esto es normal. Los estantes y tapas de vidrio son muy pesados. Use ambas manos al sacarlos para evitar que se caigan.

Requisitos de ubicación

⚠ ADVERTENCIA



Peligro de Explosión

Mantenga los materiales y vapores inflamables, tales como gasolina, alejados del refrigerador.

No seguir esta instrucción puede ocasionar la muerte, explosión, o incendio.

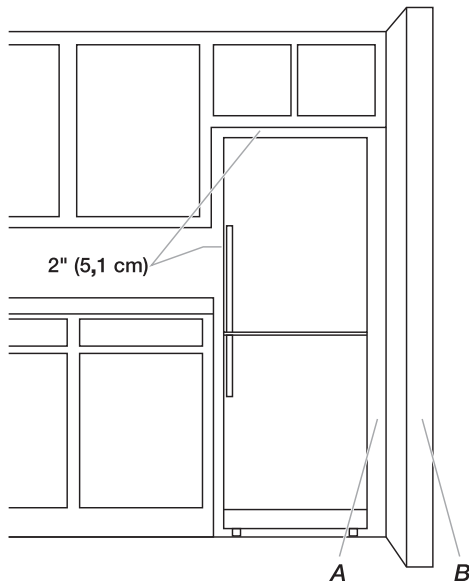
IMPORTANTE:

- Este refrigerador ha sido diseñado únicamente para usarse dentro del hogar.
- Mantenga despejadas las aberturas de ventilación del refrigerador.

Ventilación y holgura

Para asegurar una ventilación adecuada, deje un espacio a ambos lados y por encima del electrodoméstico. La distancia entre la parte trasera del electrodoméstico y la pared detrás del refrigerador debe ser de al menos 2" (5 cm). Una reducción de este espacio aumentará el consumo de energía del producto.

Para permitir que la puerta gire y se abra cuando se instala el refrigerador junto a una pared fija, el espacio mínimo requerido entre el costado del refrigerador y la pared fija depende de cuánto sobresale la pared hacia dentro de la habitación.



Pared fija (B)	Espacio mínimo (A)
Menos de 47 7/8" (121,6 cm)	0,2" (0,5 cm)
47 7/8" (121,6 cm) o más	1,57" (4 cm)

Temperatura

Este refrigerador ha sido diseñado para usarse en un lugar en donde los rangos de temperatura varíen entre un mínimo de 50 °F (10 °C) y un máximo de 110 °F (43 °C). Para un óptimo rendimiento, el rango preferido de temperatura ambiente (que reduce el consumo de electricidad y provee un enfriamiento superior) es entre 61 °F (16 °C) y 110 °F (43 °C). No se recomienda instalar el refrigerador cerca de una fuente de calor, como un horno o un radiador.

Requisitos eléctricos

⚠ ADVERTENCIA



Peligro de Choque Eléctrico

Conecte a un contacto de pared de conexión a tierra de 3 terminales.

No quite la terminal de conexión a tierra.

No use un adaptador.

No use un cable eléctrico de extensión.

No seguir estas instrucciones puede ocasionar la muerte, incendio o choque eléctrico.

Antes de mover el refrigerador a su ubicación final, es importante asegurarse de tener la conexión eléctrica adecuada.

Método de conexión a tierra recomendado

Se requiere una fuente de energía eléctrica de 115 voltios, 60 Hz., CA solamente y con fusibles de 15 o 20 amperios, conectada a tierra. Se recomienda utilizar un circuito separado solo para su refrigerador. Use una toma de corriente que no se pueda apagar con un interruptor. No use un cable eléctrico de extensión.

NOTA: Antes de realizar cualquier tipo de instalación, limpiez o de quitar un foco de luz, desconecte el refrigerador de la fuente de electricidad. Cuando haya finalizado, vuelva a conectar el refrigerador a la fuente de electricidad.

Cambio del sentido de apertura de la puerta (opcional)

Si desea invertir el sentido de la apertura de la puerta para que las puertas del congelador y del refrigerador se abran desde el lado opuesto, vea las instrucciones siguientes.

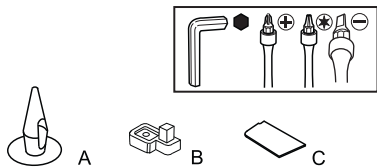
NOTA: El sentido de la apertura de la puerta se puede cambiar. Si esta operación es realizada por un proveedor de servicios, no está cubierta por la garantía. Se recomienda que el trabajo de inversión del sentido de apertura de la puerta sea realizado por dos personas.

Siga las instrucciones de la Guía de instalación.

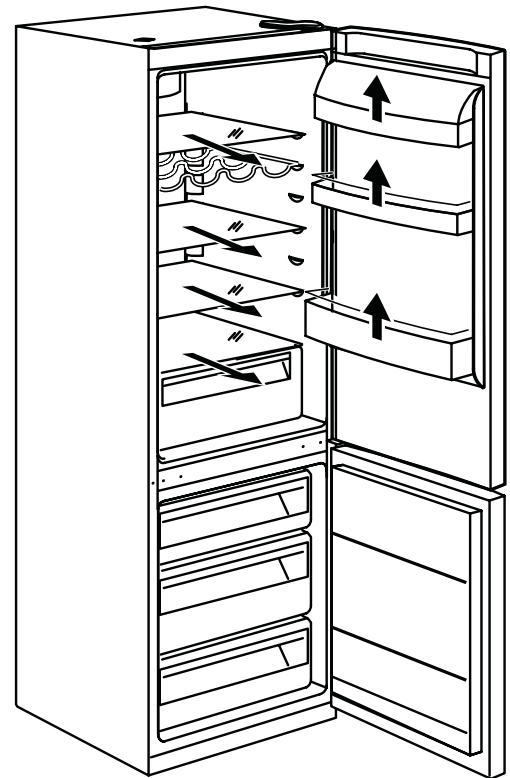
Reúna las herramientas necesarias y lea todas las instrucciones antes de quitar las puertas.

Piezas suministradas: Localice el kit de reversibilidad (se proporciona) en el cajón para verduras. El kit contiene (2) tapones para bisagras, (1) tapón para puerta y (1) tapón para cubierta.

Herramientas necesarias: Llave hexagonal n.º 4, llave TORX® T25[†], destornillador Phillips n.º 1, destornillador de punta plana y una llave TORX® T15[®].



A. Tapón de bisagra (2) B. Tope de puerta (1) C. Tapón de cubierta (1)



2. Retire los tapones a ambos lados. No los deseche.

⚠ ADVERTENCIA

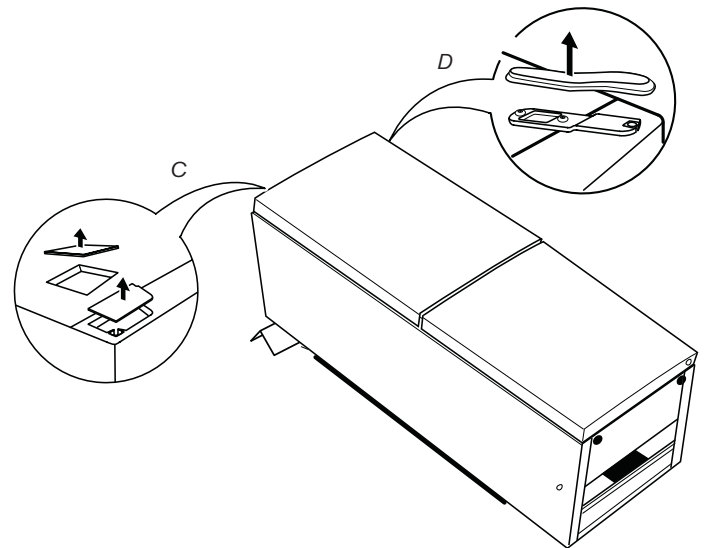


Peligro de Choque Eléctrico

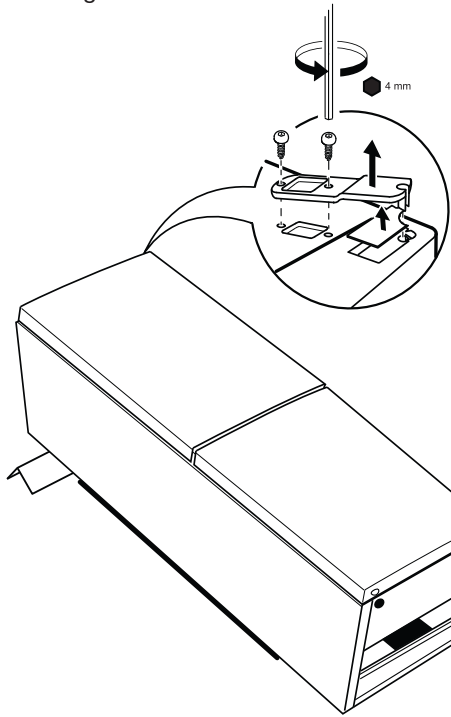
Desconecte el suministro de energía antes de sacar las puertas.

No seguir esta instrucción puede ocasionar la muerte o choque eléctrico.

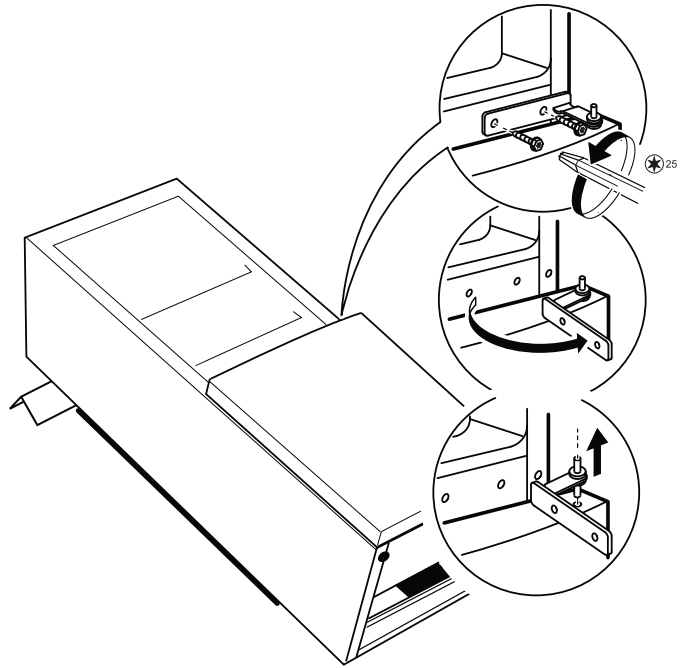
1. Antes de comenzar, desenchufe el refrigerador o desconecte la electricidad y retire los alimentos y las bandejas de puerta de las puertas.



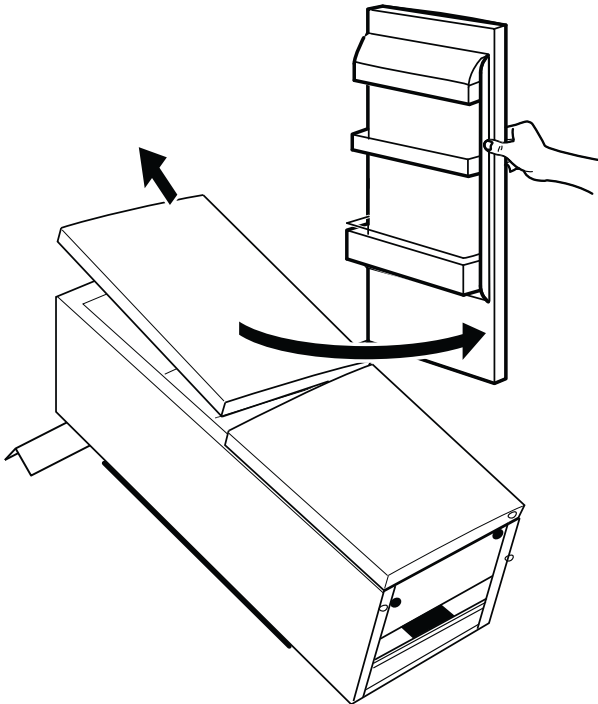
3. Retire los tornillos con una llave hexagonal n.º 4 y, después, retire la bisagra.



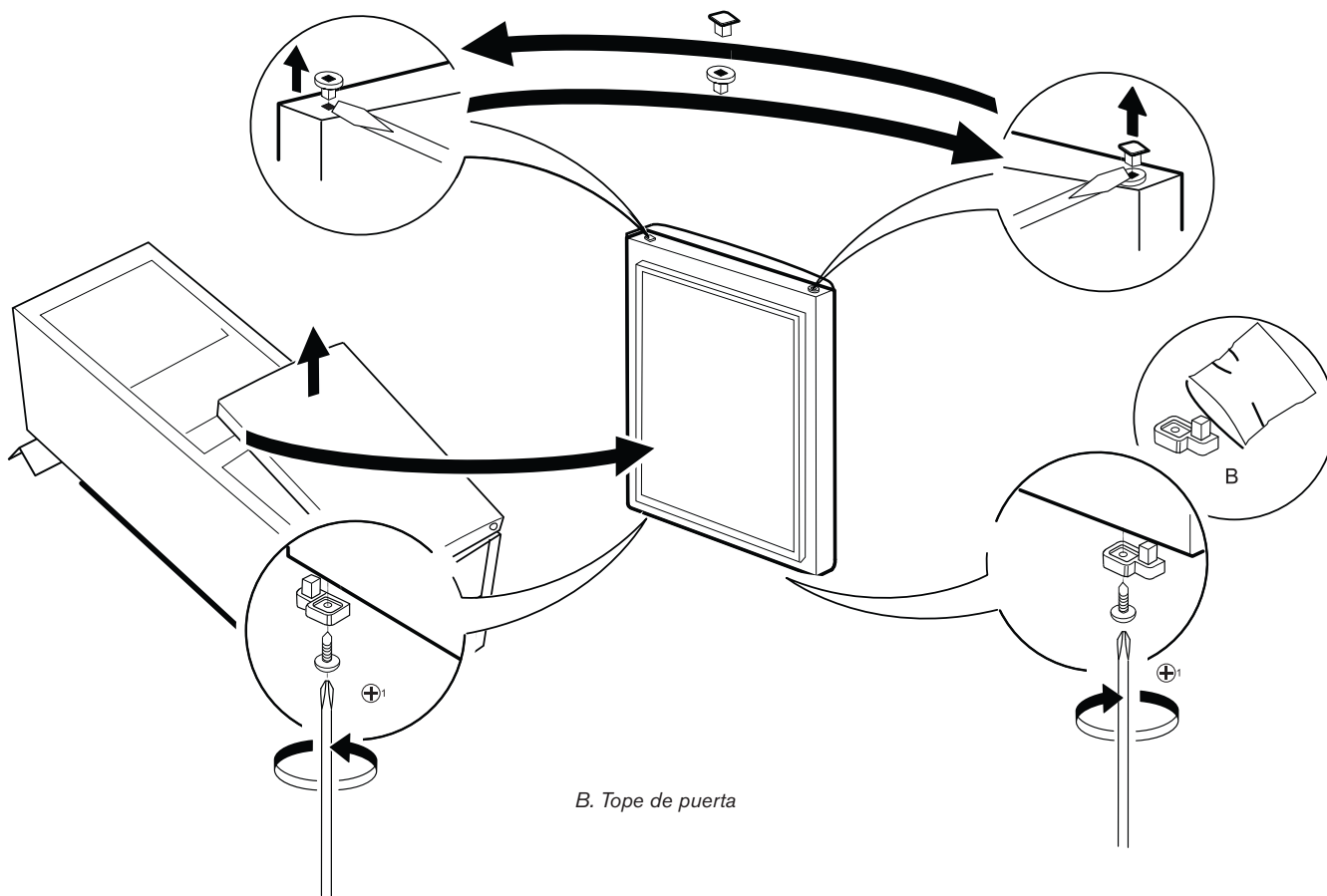
5. Retire los tornillos que sostienen la bisagra central. Tire de la bisagra hacia arriba para retirarla de la puerta.



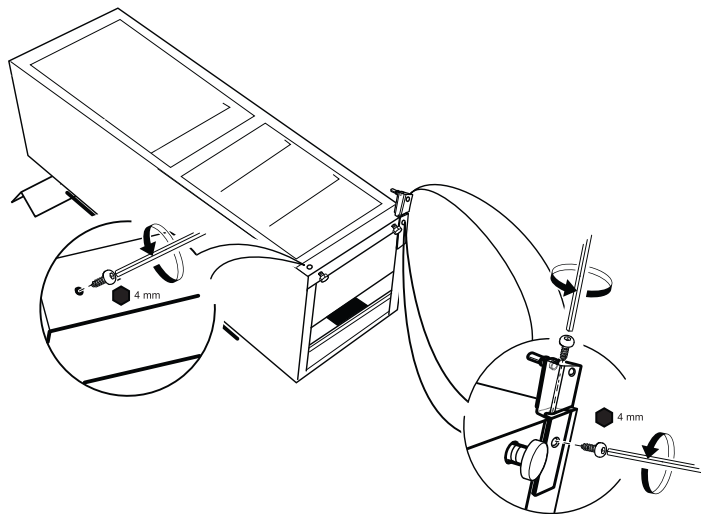
4. Abra la puerta y levántela para retirarlos. Ponga la puerta a un lado.



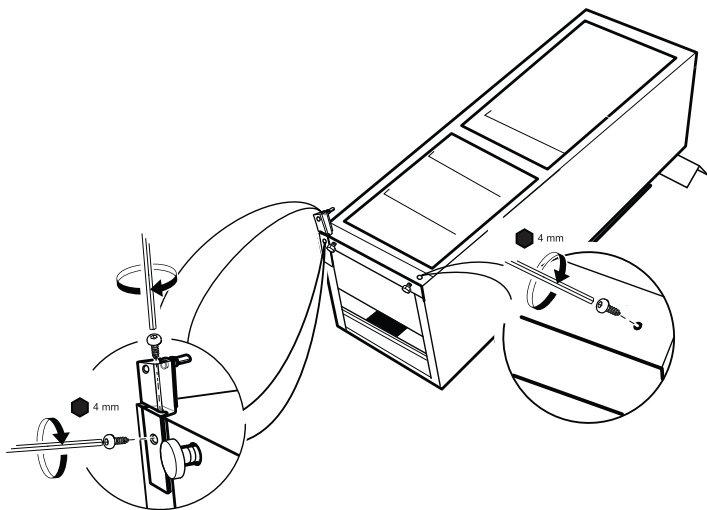
6. Abra la puerta y levántela para retirarlos. Mueva el tapón cuadrado y el buje de la bisagra de un lado al otro (use una herramienta plana). Presione con el dedo. Desenrosque el tope de puerta del lado inferior de la puerta. Tome el segundo del kit de reversibilidad y enrósquelo en el otro lado. Repita la operación para ambas puertas.



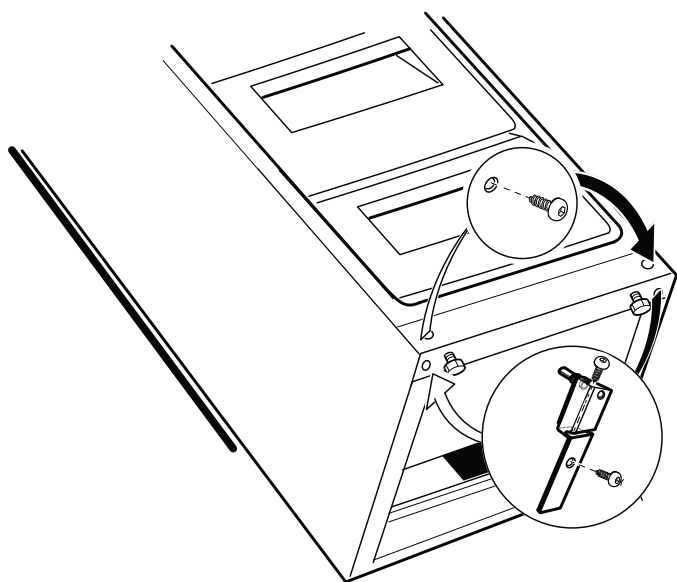
7. Retire los tornillos que sostienen la bisagra inferior y, después, retire la bisagra y déjela a un lado. Retire el tornillo en la parte inferior del gabinete.



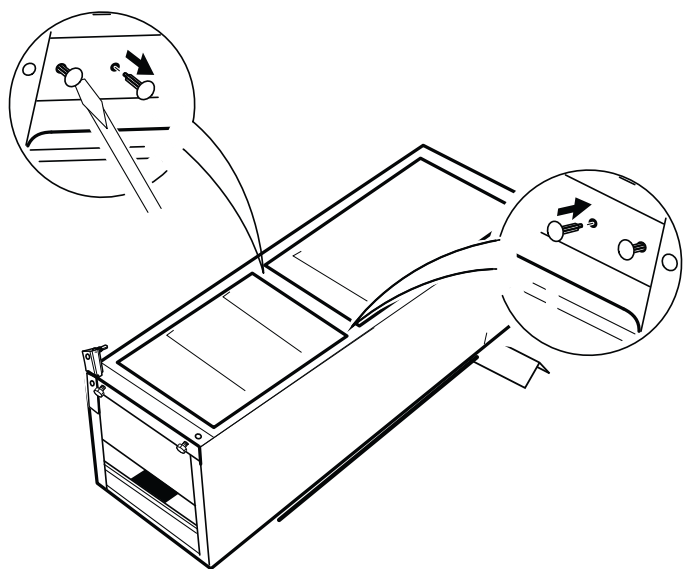
9. Vuelva a instalar la bisagra en el lado opuesto con los tornillos que retiró antes.



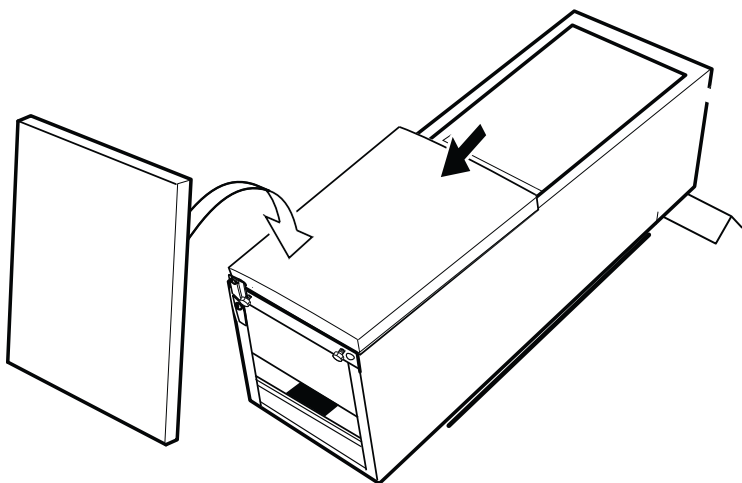
8. Vuelva a colocar el tornillo y la bisagra en el lado opuesto.



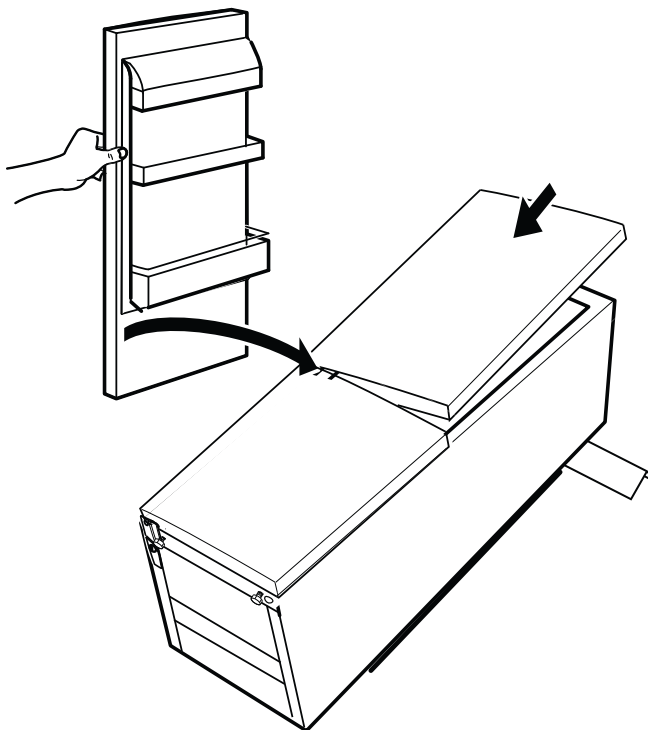
10. Retire los tapones de orificios de tornillos y trasládelos al lado opuesto o use nuevos del kit de reversibilidad. Presione en su lugar con el dedo.



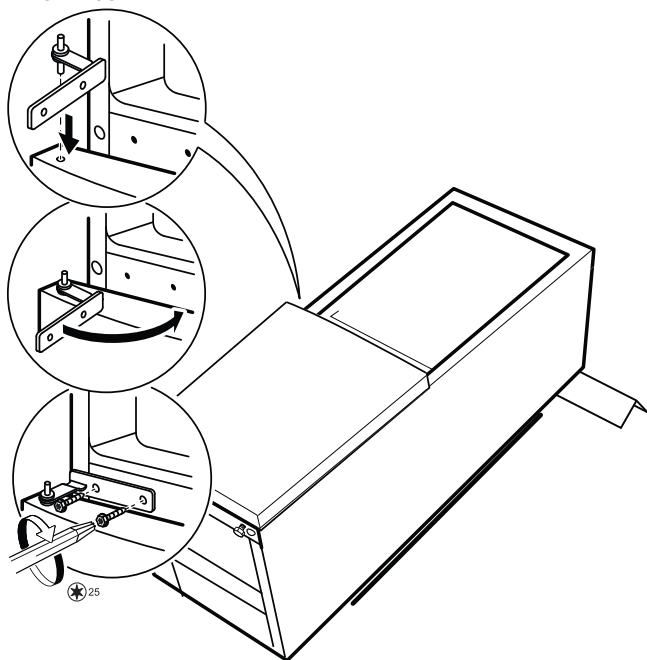
11. Coloque la puerta inferior en la bisagra inferior.



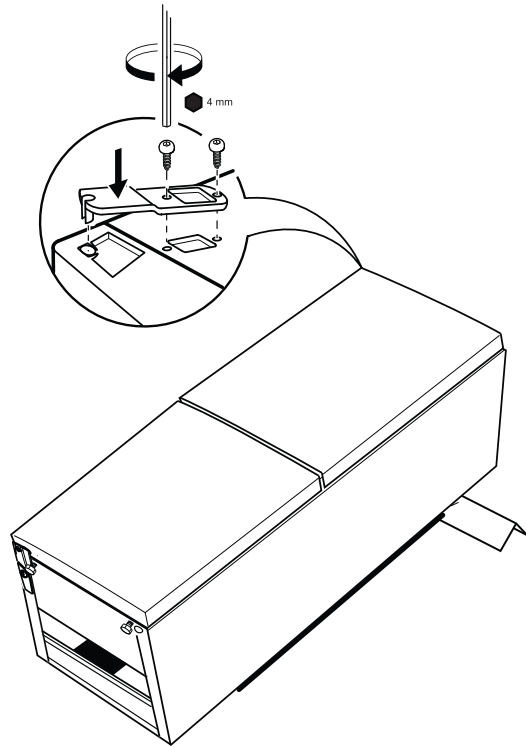
13. Coloque la puerta superior sobre la bisagra central.



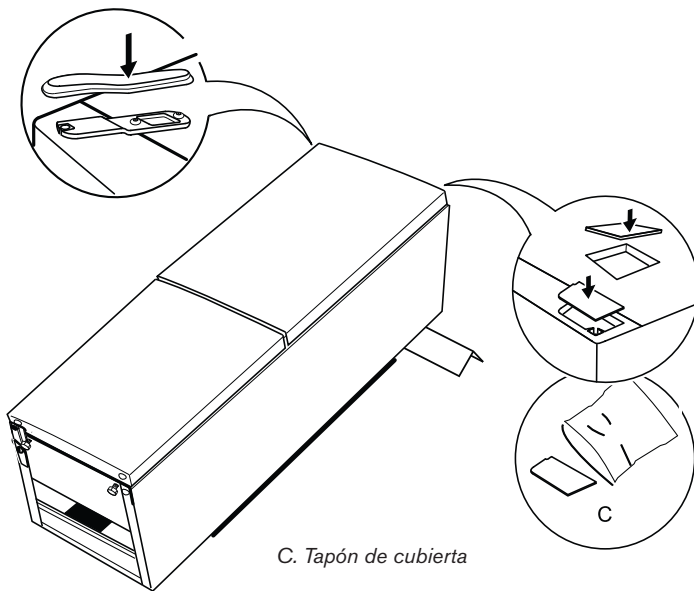
12. Tome la bisagra central. Inserte en su lugar sobre la superficie superior de la puerta inferior e instale con tornillos.



14. Instale la bisagra superior con tornillos (use tornillos hexagonales).



15. Presione los tapones en su lugar.



Cómo invertir las manijas (si están previamente instaladas)

⚠ ADVERTENCIA

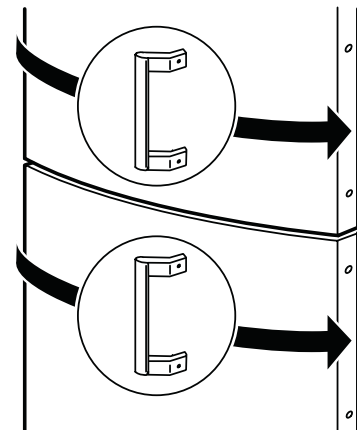
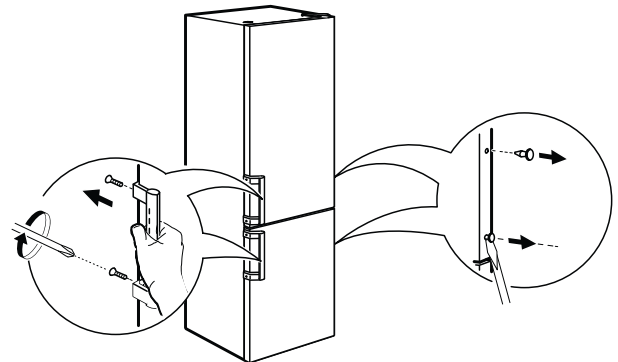


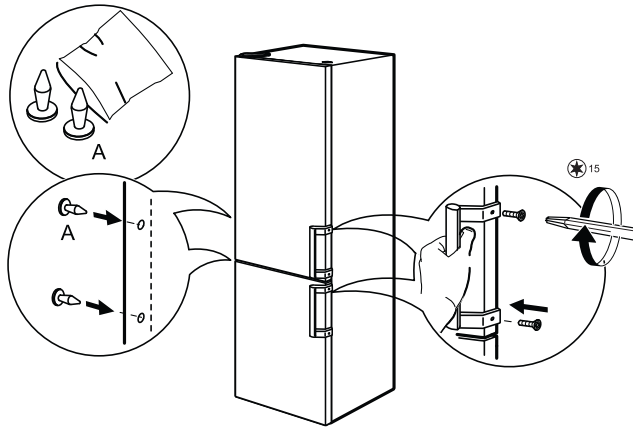
Peligro de Choque Eléctrico

Desconecte el suministro de energía antes de sacar las puertas.

No seguir esta instrucción puede ocasionar la muerte o choque eléctrico.

1. Desenchufe el refrigerador o desconecte el suministro de energía.
2. Use una llave TORX® T15® para retirar las manijas del lado izquierdo de la puerta y retire los tapones de los orificios del lado derecho.
3. Inserte los tapones de los orificios (del kit de reversibilidad) en los orificios restantes después de retirar las manijas.
4. Instale las manijas de las puertas en el lado opuesto de la puerta.





A. Tapón de bisagra

Pasos finales

1. Revise todos los orificios para cerciorarse de que los tapones de los orificios y los tornillos estén en su lugar y totalmente apretados.

⚠ ADVERTENCIA



Peligro de Choque Eléctrico

Conecte a un contacto de pared de conexión a tierra de 3 terminales.

No quite la terminal de conexión a tierra.

No use un adaptador.

No use un cable eléctrico de extensión.

No seguir estas instrucciones puede ocasionar la muerte, incendio o choque eléctrico.

2. Enchufe el producto a un tomacorriente de 3 terminales con conexión a tierra.

NOTA: Deje el refrigerador en posición vertical al menos 2 horas antes de enchufarlo.

3. Regrese todas las partes desmontables a la puerta y la comida al refrigerador.

NOTA: Espere al menos 24 horas para que el refrigerador se enfríe completamente antes de agregar alimentos. Si agrega alimentos antes de que el refrigerador se haya enfriado por completo, pueden echarse a perder.

Instalación de las manijas (en algunos modelos)

En algunos modelos, las manijas se instalan en fábrica. Si su refrigerador no tiene manijas instaladas en fábrica, vea las instrucciones siguientes.

IMPORTANTE: Si desea invertir el sentido de la apertura de las puertas para que las puertas del congelador y del refrigerador se abran desde el lado opuesto, vea "Cambio del sentido de apertura de las puertas" antes de instalar las manijas de las puertas.

Piezas suministradas: Las manijas de las puertas están empacadas dentro del compartimento del congelador y el kit de reversibilidad que contiene los tornillos y los tapones de los orificios está en el cajón de las verduras en el compartimento del refrigerador.

Piezas

Ubicación

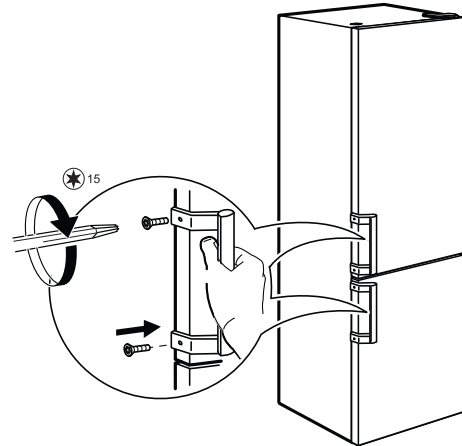
- | | |
|--------------------------------|------------------------------|
| ■ Manijas de las puertas (2) | Compartimento del congelador |
| ■ Tornillos de las manijas (4) | Cajón de las verduras |
| ■ Tapones de las manijas (4) | Cajón de las verduras |

Reúna las herramientas necesarias.

Herramientas necesarias: Destornillador Phillips

Instalación de las manijas

1. Retire las manijas de las puertas del embalaje. Retire los tornillos y los tapones de orificios del kit de reversibilidad.
2. Use los tornillos para sujetar las manijas a las puertas.
3. Inserte los tapones de las manijas para cubrir los tornillos.



USO DEL REFRIGERADOR

Uso de los controles

El panel de control está ubicado en la parte superior delantera del compartimento del refrigerador.

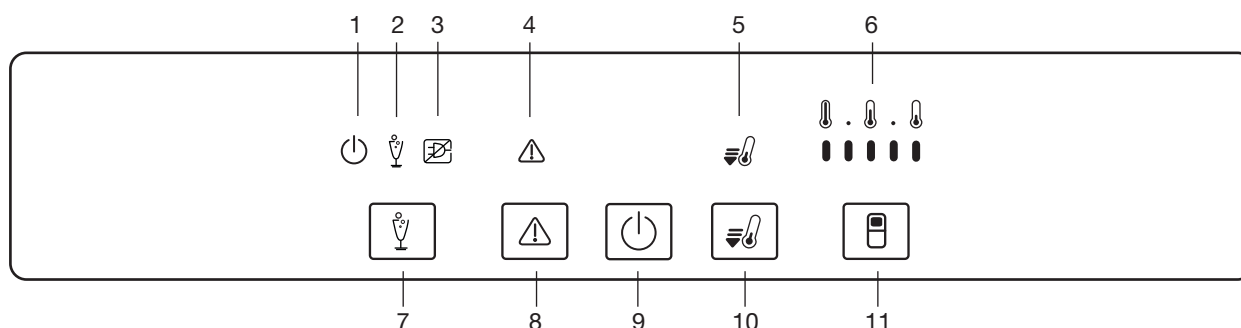
IMPORTANTE:

- Una vez que enchufe el refrigerador, comenzará a enfriar automáticamente.
- Los LED indicadores en el panel de control se encienden durante aproximadamente 1 segundo y después del proceso de inicialización aparece el punto de ajuste de la temperatura.
- Los controles están ajustados correctamente cuando la leche o los jugos están tan fríos como desea y cuando el helado tiene consistencia firme.

- Espere al menos 24 horas para que el refrigerador se enfríe completamente antes de agregar alimentos. Si agrega alimentos antes de que el refrigerador se haya enfriado por completo, pueden echarse a perder.

NOTA: Poner los controles de temperatura del refrigerador y del congelador en un ajuste más frío que el recomendado no enfriará más rápido los compartimentos.

- Si la temperatura está demasiado elevada o demasiado baja en el refrigerador o en el congelador, antes de regular los controles, revise primero los orificios de ventilación para cerciorarse de que no estén obstruidos.



1. Indicador ON/STANDBY (Encendido/Espera)
2. Indicador PARTY MODE (Modo Fiesta)
3. Indicador BLACK OUT ALARM (Alarma de corte de energía)
4. Indicador STOP ALARM (Detener alarma)
5. Indicador FAST FREEZE (Congelado rápido)
6. PANTALLA DE TEMPERATURA
7. Botón PARTY MODE (Modo Fiesta)
8. Botón STOP ALARM (Detener alarma)
9. Botón ON/STANDBY (Encendido/Espera)
10. Botón FAST FREEZE (Congelado rápido)
11. Botón REFRIGERATOR TEMPERATURE (Temperatura del refrigerador)

Funciones

Encendido/Espera

Para poner el refrigerador en modo de espera, mantenga presionado el botón On/Standby (Encendido/Espera) durante 3 segundos. Todos los indicadores se apagarán, excepto el indicador On/Standby (Encendido/Espera).

Presione nuevamente para reactivar.

Modo Fiesta

Presione el botón PARTY MODE (Modo Fiesta) para activar/desactivar la función del modo Fiesta. Use esta función para enfriar bebidas en el compartimento del congelador.

IMPORTANTE: No deje dentro del compartimento del congelador más tiempo que el que la función permanece activada (30 minutos).

Congelado rápido

Se recomienda usar esta función cuando se coloca una cantidad muy grande de alimentos a congelar en el compartimento del congelador. 24 horas antes de congelar, presione el botón Freezer (Congelador) para activar la función de congelado rápido. Cuando se activa, el indicador Fast Freeze (Congelado rápido) se enciende. Después de 24 horas, coloque los alimentos que se deben congelar en el medio del compartimento del congelador. La función se desactiva automáticamente después de 48 horas; para desactivarla manualmente, presione el botón Fast Freeze (Congelado rápido).

Luz del refrigerador

El sistema de iluminación del interior del compartimento del refrigerador usa luces LED, lo cual permite una mejor iluminación con muy bajo consumo de energía.

Si el sistema de luces LED no funciona, contacte a un proveedor de servicio para solicitar la reparación.

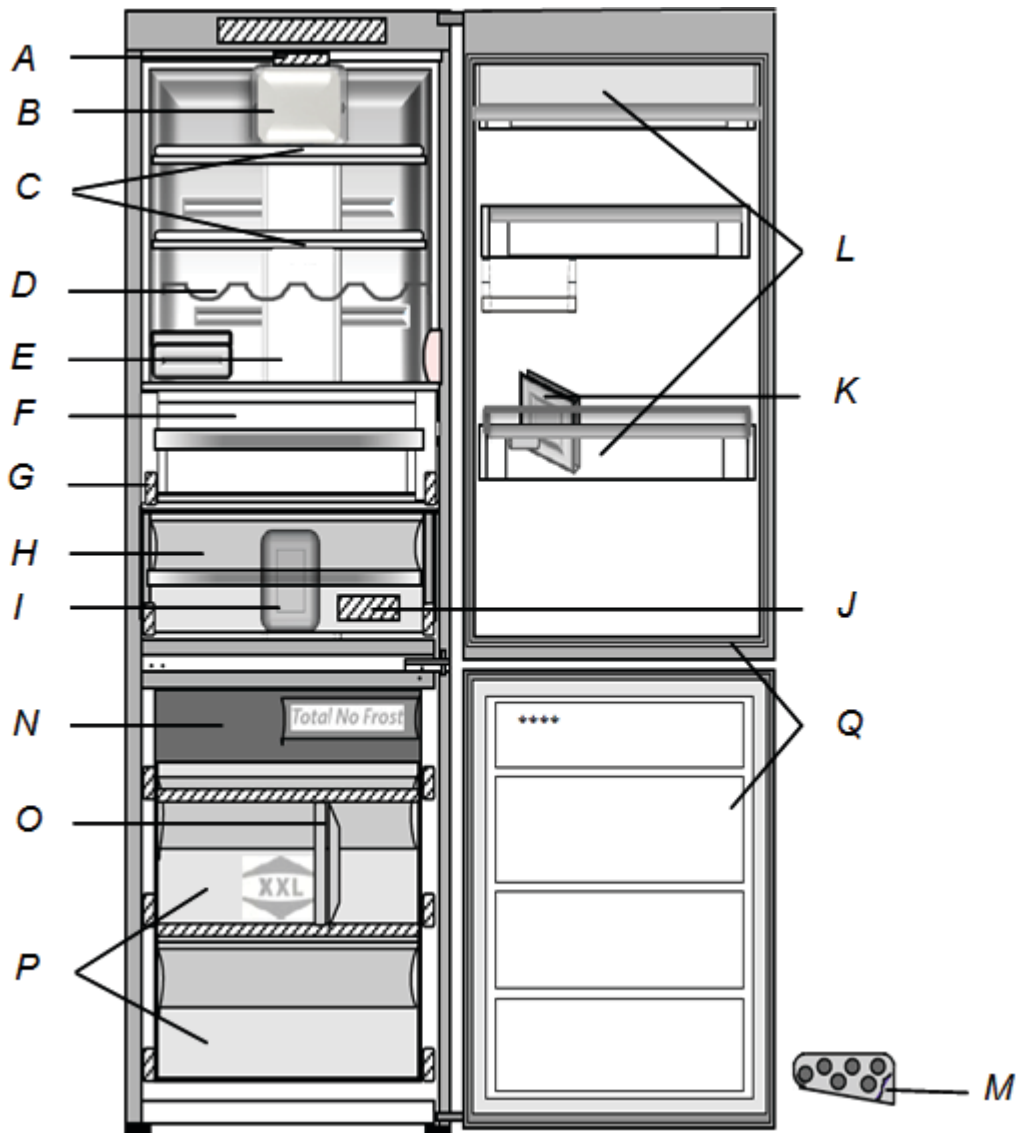
IMPORTANTE: La luz del compartimento del refrigerador se enciende cuando se abre la puerta del refrigerador. Si la puerta se mantiene abierta más de 10 minutos, la luz se apagará automáticamente.

TABLA DE ALARMAS

TIPO DE ALARMA	Señal	Causa	Solución
Alarma de puerta abierta	La alarma acústica se activa y el indicador de alarma parpadea.	La puerta del refrigerador o del congelador ha permanecido abierta más de 2 minutos.	Cierre la puerta o presione STOP ALARM (Detener alarma) para silenciar la alarma acústica.
Alarma de temperatura	La pantalla de temperatura parpadea (°C) y el indicador de alarma permanece encendido.	La temperatura interna no es adecuada.	Presione el botón STOP ALARM (Detener alarma); la alarma acústica se detendrá.
Alarma de corte de energía prolongado	El icono de la alarma de corte de energía permanece encendido, el indicador de alarma parpadea y la pantalla de temperatura (°C) parpadea e indica la temperatura máxima alcanzada durante el corte de energía.	Corte de energía prolongado, que puede causar el aumento de la temperatura interna a 0 °C.	Presione el botón STOP ALARM (Detener alarma); la alarma acústica se detendrá.
Alarma de modo Fiesta	El indicador de modo Fiesta parpadea y la alarma acústica se activa.	Transcurrieron 30 min desde que la función de modo Fiesta se activó. Retire las botellas del congelador.	Presione el botón STOP ALARM (Detener alarma) para detener la alarma.
Mal funcionamiento	La letra "F" parpadea en la pantalla.	Mal funcionamiento del producto.	Contacte al proveedor de servicio.

CARACTERÍSTICAS DEL REFRIGERADOR

Según el modelo, el número y el tipo de características pueden variar.



- | | |
|--|---|
| A. Luces LED | J. Kit de reversibilidad |
| B. Ventilador | K. Separador |
| C. Estantes | L. Bandejas de puerta |
| D. Rejilla para botellas | M. Huevera |
| E. Sistema de aire frío multiflujo | N. Cesta superior (zona totalmente sin formación de escarcha) |
| F. Compartimento de conservadora (carne) | O. Divisor del cajón |
| G. Placa de datos | P. Estantes |
| H. Cajón para frutas y verduras | Q. Sellos de puerta |
| I. Divisor del cajón del refrigerador | |

Estantes del refrigerador

Los estantes y las bandejas de puerta del refrigerador son regulables y desmontables para cubrir sus necesidades individuales de almacenamiento.

NOTAS:

- Si guarda alimentos similares juntos en el refrigerador y regula los estantes para que se adapten a las diferentes alturas de los artículos, le será muy fácil encontrar exactamente el artículo que desea. Asimismo, se reduce el tiempo que la puerta del refrigerador permanece abierta y se ahorra energía.
- Las piezas del interior del refrigerador no son aptas para lavavajillas.

Estantes de vidrio

Información importante para saber acerca de los estantes y tapas de vidrio:

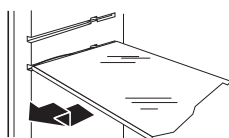
No limpie los estantes y tapas de vidrio con agua caliente mientras estén fríos. Los estantes y tapas pueden romperse si se exponen a cambios bruscos de temperatura o a impactos, como sería un golpe brusco. El vidrio templado se ha diseñado para hacerse añicos. Eso es normal. Los estantes y tapas de vidrio son muy pesados. Use ambas manos al sacarlos para evitar que se caigan.

Para sacar un estante:

1. Quite los artículos del estante.
2. Deslice el estante en sentido recto hacia afuera, hasta el tope.
3. Levante la parte posterior del estante hasta sacarlo del tope. Jale el resto del estante completamente hacia afuera.

Para volver a colocar un estante:

1. Deslice la parte trasera del estante en la guía de la pared de la carcasa.
2. Deslice la parte delantera del estante en la guía. Asegúrese de deslizar completamente el estante hacia adentro.



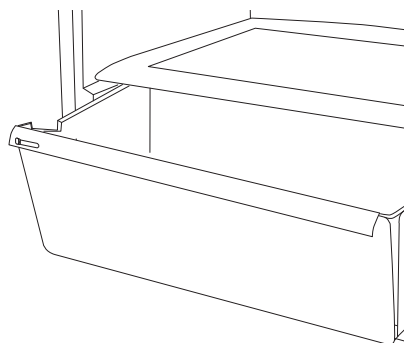
Compartimento de conservadora (en algunos modelos)

El compartimento de conservadora es el lugar ideal para almacenar carne fresca, aves y pescado.

Para retirar y volver a colocar el cajón:

1. Retire el cajón deslizándolo derecho hacia afuera hasta el tope. Levante el cajón de los rieles deslizantes y jálelo hacia fuera hasta que salga.

2. Vuelva a poner el cajón colocándolo sobre los rieles guías y empujándolo nuevamente a su posición pasando el tope del cajón.



Ventilador

El ventilador mejora la distribución de la temperatura dentro del compartimento del refrigerador y permite una mejor conservación de los alimentos almacenados. De manera predeterminada, el ventilador está encendido.

NOTA: No bloquee el área de entrada de aire.



Compartimento del congelador

Para aumentar el espacio de almacenamiento y para artículos más grandes, el compartimento del congelador se puede usar sin las cestas. Retire las cestas y coloque los artículos directamente sobre los estantes de vidrio.

CUIDADO DEL REFRIGERADOR

Limpieza

⚠ ADVERTENCIA



Peligro de Explosión

Use un limpiador no inflamable.

No seguir esta instrucción puede ocasionar la muerte, explosión o incendio.

Periódicamente limpie el electrodoméstico con un paño y una solución de agua tibia y detergente neutro específicamente para interiores de refrigeradores.

Limpie el exterior del electrodoméstico y el sello de la puerta con un paño húmedo y seque con un paño suave.

IMPORTANTE:

- Debido a que el aire circula entre ambas secciones, cualquier olor que se forma en una sección pasará a la otra. Debe limpiar meticulosamente ambas secciones para eliminar olores. Para evitar la transferencia de olores y la deshidratación de los alimentos, envuelva o tape bien los alimentos.

- En el caso de los modelos de acero inoxidable, el acero inoxidable es resistente a la corrosión pero no a prueba de corrosión. Para ayudar a evitar la corrosión del acero inoxidable, mantenga las superficies limpias, siguiendo las instrucciones de limpieza a continuación.
- Los botones y la pantalla del panel de control no deben limpiarse con alcohol o sustancias derivadas del alcohol, sino con un paño seco.
- Los tubos del sistema de refrigeración están cerca de la bandeja de descongelado y pueden calentarse. Límpielos periódicamente con una aspiradora.

Limpeza del refrigerador

NOTA: No use productos de limpieza abrasivos o ásperos, como aerosoles para ventanas, productos de limpieza para pulir, líquidos inflamables, ácido muriático, ceras para limpieza, detergentes concentrados, blanqueadores o productos de limpieza que contengan productos derivados de petróleo en las superficies exteriores (puertas y carcasa), partes de plástico, revestimientos interiores o de la puerta, o juntas. No use toallas de papel, estropajos para fregar u otros utensilios de limpieza ásperos.

1. Desenchufe el refrigerador o desconecte el suministro de energía.
2. Lave a mano, enjuague y seque todas las partes desmontables y las superficies interiores meticulosamente. Use una esponja limpia o un paño liso y un detergente suave en agua tibia.
3. Limpie las superficies exteriores.

Metal pintado: Limpie el exterior de metal pintado con un paño limpio y liso, o una esponja y detergente suave en agua tibia. Enjuague las superficies con agua tibia limpia y séquelas inmediatamente para evitar las manchas de agua.

Acero inoxidable: Lave las superficies de acero inoxidable con un paño limpio y liso o una esponja y un detergente suave en agua tibia. Enjuague las superficies con agua tibia limpia y séquelas inmediatamente para evitar las manchas de agua.

NOTA: Cuando limpie el acero inoxidable, siempre talle en la dirección de la veta para evitar rayar a través de ella.
4. Una limpieza rutinaria del condensador no es necesaria en ambientes normales de operación en el hogar. Si el ambiente es particularmente grasoso o polvoriento, o si hay bastante tránsito de mascotas en el hogar, el condensador deberá limpiarse cada dos o tres meses para asegurar la máxima eficacia. Si necesita limpiar el condensador, use una aspiradora.
5. Enchufe el refrigerador o reconecte el suministro de energía.

Descongelado

COMPARTIMIENTO DEL REFRIGERADOR SIN FORMACIÓN DE ESCARCHA:

El descongelado del compartimiento del refrigerador es completamente automático. El agua del descongelado se vierte automáticamente en un orificio de drenaje oculto detrás del multiflujo y se acumula en un recipiente, donde se evapora.

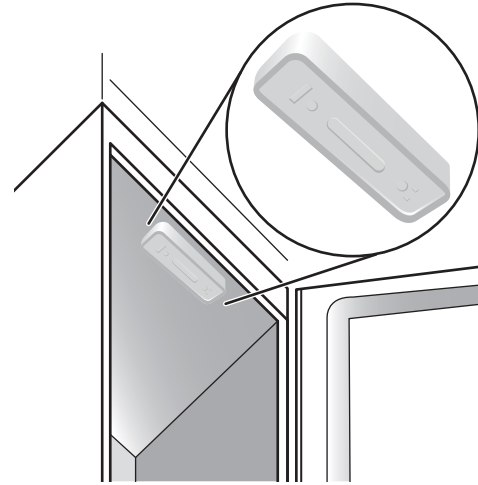
COMPARTIMIENTO DEL CONGELADOR SIN FORMACIÓN DE ESCARCHA:

Los congeladores sin formación de escarcha permiten la circulación del aire frío alrededor de las áreas de almacenamiento y eliminan por completo la necesidad de descongelar porque evitan la formación de hielo. Los artículos congelados no se adhieren a las paredes, las etiquetas permanecen legibles y el espacio de almacenamiento permanece ordenado y despejado.

Luces

El sistema de iluminación del interior del compartimiento del refrigerador usa luces LED, lo cual permite una mejor iluminación con muy bajo consumo de energía. Si el sistema de luces LED no funciona, contacte a un proveedor de servicio autorizado para reemplazarlo.

Importante: La luz del compartimiento del refrigerador se enciende cuando se abre la puerta del refrigerador. Si la puerta se mantiene abierta más de 4 minutos, la luz se apagará automáticamente.



Cuidado durante las vacaciones y mudanzas

Vacaciones

Si decide dejar el refrigerador funcionando mientras está ausente:

Consuma o congele los alimentos perecederos.

Si decide apagar el refrigerador antes de irse:

1. Retire todos los alimentos del refrigerador.
2. Fije con cinta adhesiva bloques de goma o de madera en la parte superior de ambas puertas para que queden abiertas y el aire circule. Esto evita que se formen olores y hongos.

Mudanza

1. Saque todas las partes desmontables, envuélvalas bien y asegúrelas con cinta adhesiva para que no se sacudan durante la mudanza.
2. Desenchufe el refrigerador.
3. Levante los tornillos niveladores para que no rayen el piso.
4. Sostenga las puertas cerradas y el cable pegado a la parte posterior del refrigerador con cinta adhesiva.

Cuando llegue a la casa nueva, ponga todo de nuevo en su sitio y lea la sección "Instrucciones de instalación" para obtener instrucciones de preparación.

SOLUCIÓN DE PROBLEMAS

Pruebe primero las soluciones sugeridas aquí antes de llamar para solicitar ayuda.

⚠ ADVERTENCIA



Peligro de Choque Eléctrico

Conecte a un contacto de pared de conexión a tierra de 3 terminales.

No quite la terminal de conexión a tierra.

No use un adaptador.

No use un cable eléctrico de extensión.

No seguir estas instrucciones puede ocasionar la muerte, incendio o choque eléctrico.

⚠ ADVERTENCIA



Peligro de Explosión

Use un limpiador no inflamable.

No seguir esta instrucción puede ocasionar la muerte, explosión o incendio.

Problema	Causas posibles	Soluciones recomendadas
El refrigerador no funciona	<ul style="list-style-type: none"> ■ Puede haber un problema con la fuente de alimentación del electrodoméstico 	<ul style="list-style-type: none"> ■ Verifique que el cable eléctrico esté enchufado en un tomacorriente energizado con la tensión correcta. ■ Verifique los dispositivos de protección y los fusibles del sistema eléctrico de su casa.
El motor parece funcionar excesivamente	El tiempo de funcionamiento del motor depende de distintas cosas: el número de aperturas de las puertas, la cantidad de alimentos almacenada, la temperatura ambiente, el ajuste de los controles de temperatura.	<ul style="list-style-type: none"> ■ Asegúrese de que los controles del refrigerador estén correctamente ajustados. ■ Verifique si no se ha agregado una gran cantidad de alimentos al refrigerador. ■ Verifique que la puerta no se abra con demasiada frecuencia. ■ Verifique que la puerta cierre correctamente.
El refrigerador parece ruidoso Para reducir el ruido funcional, nivele el refrigerador y asegúrese de que esté ubicado sobre un piso parejo	Los siguientes sonidos provenientes del electrodoméstico son normales, ya que tiene varios ventiladores y motores reguladores de funciones que se encienden y se apagan automáticamente:	<ul style="list-style-type: none"> ■ Siseo - Cuando el refrigerador se enciende por primera vez o después de una pausa prolongada en la operación. ■ Gorgoteo - Líquido refrigerante que ingresa a los tubos. ■ Zumbido - Cuando la válvula de agua o el ventilador comienzan a funcionar. ■ Chasquido - Cuando el compresor se pone en marcha. ■ Clics abruptos - Cuando el termostato ajusta la frecuencia de funcionamiento del compresor.
Las puertas no se abren y cierran correctamente	<ul style="list-style-type: none"> ■ Podría haber diversas causas (vea "Soluciones") 	<ul style="list-style-type: none"> ■ Verifique que no haya paquetes de alimentos que bloqueen la puerta. ■ Verifique que las piezas internas no estén fuera de lugar. ■ Verifique que los sellos de las puertas no estén sucios o pegajosos. ■ Asegúrese de que el refrigerador esté nivelado.

Problema	Causas posibles	Soluciones recomendadas
La luz no funciona	<ul style="list-style-type: none"> ■ Puede ser necesario cambiar la luz ■ Es posible que el refrigerador esté en modo de encendido/espera 	<ul style="list-style-type: none"> ■ Verifique si los dispositivos de protección y los fusibles del sistema eléctrico de su casa funcionan bien. ■ Verifique que el cable eléctrico esté enchufado en un tomacorriente energizado con la tensión correcta. ■ Si los LED están rotos, el usuario debe llamar al servicio para cambiarlos por LED del mismo tipo, solo disponibles en nuestros centros de servicio de posventa o en distribuidores autorizados.
La temperatura está demasiado elevada	<ul style="list-style-type: none"> ■ Podría haber diversas causas (vea "Soluciones") 	<ul style="list-style-type: none"> ■ Asegúrese de que el condensador (parte trasera del refrigerador) esté libre de polvo y pelusa. ■ Verifique que los sellos de las puertas estén debidamente instalados. ■ Los días calurosos o si la temperatura ambiente es alta, es normal que el motor funcione más tiempo. ■ Si la puerta del refrigerador quedó abierta un tiempo prolongado o si se han almacenado grandes cantidades de alimentos, el motor funcionará más tiempo para enfriar el interior del refrigerador.
La temperatura está demasiado baja en el refrigerador/cajón para verduras	<ul style="list-style-type: none"> ■ Están bloqueadas las ventilaciones de aire del refrigerador ■ Los controles no se han ajustado correctamente de acuerdo con las condiciones circundantes 	<ul style="list-style-type: none"> ■ Si la ventilación de aire está obstruida con artículos colocados directamente delante de ella, la temperatura del refrigerador bajará demasiado. Aleje los artículos del orificio de ventilación de aire. ■ Regule los controles en un ajuste más caliente. Revise la temperatura en 24 horas.
Hay acumulación de humedad en el interior	<ul style="list-style-type: none"> ■ La habitación está húmeda ■ Las puertas se abren a menudo o no se cierran por completo ■ Las ventilaciones del flujo de aire dentro del compartimento están bloqueadas ■ Los empaques de alimentos están húmedos 	<ul style="list-style-type: none"> ■ Un ambiente húmedo contribuye a que se acumule la humedad. ■ Esto hace que entre aire húmedo al refrigerador. Reduzca al mínimo las veces que abre la puerta y cierre las puertas por completo. ■ Aleje los artículos de las ventilaciones de flujo de aire. ■ Empaque los alimentos correctamente y seque toda la humedad de los recipientes de almacenamiento antes de colocarlos en el refrigerador.
Hay agua en la bandeja de descongelado	<ul style="list-style-type: none"> ■ Esto es normal si el tiempo es caluroso y húmedo. La bandeja puede incluso estar llena hasta la mitad 	<ul style="list-style-type: none"> ■ Asegúrese de que el refrigerador esté nivelado para que el agua no rebase.
Los bordes del refrigerador que están en contacto con el sello de la puerta están calientes al tacto	<ul style="list-style-type: none"> ■ Esto no es un defecto. Es normal cuando el tiempo es caluroso y cuando el compresor está en funcionamiento 	

Accesorios

Los siguientes accesorios están disponibles para su refrigerador. Para ordenar un accesorio, contáctenos y pida el número de pieza.

En EE. UU., visite nuestro sitio web

www.whirlpool.com/accessories o llame al **1-800-253-1301**.

En Canadá, visite nuestro sitio web www.whirlpoolparts.ca o llame al **1-800-807-6777**.

Limpiador de acero inoxidable affresh®:

En EE. UU., pida la pieza n.º W10355016. En Canadá, pida la pieza n.º W10355016B.

Toallas limpiadoras de acero inoxidable affresh®:

En EE. UU., pida la pieza n.º W10355049. En Canadá, pida la pieza n.º W10355049B.

Limpiador de cocina y electrodomésticos affresh®:

En EE. UU., pida la pieza n.º W10355010. En Canadá, pida la pieza n.º W10355010B.

GARANTÍA LIMITADA DE LOS ELECTRODOMÉSTICOS PRINCIPALES DE WHIRLPOOL CORPORATION

ADJUNTE SU RECIBO AQUÍ. SE REQUIERE LA PRUEBA DE COMPRA PARA OBTENER SERVICIO BAJO LA GARANTÍA.

Tenga a mano la siguiente información cuando llame al Centro para la eXperiencia del cliente:

- Nombre, dirección y número de teléfono
- Número de modelo y de serie
- Una descripción clara y detallada del problema
- Prueba de compra incluido el nombre y la dirección del distribuidor o vendedor

SI NECESITA SERVICIO TÉCNICO:

1. Antes de contactarnos para obtener servicio, determine si el producto requiere reparación. Algunas consultas pueden atenderse sin servicio técnico. Tómese unos minutos para revisar la sección de Solución de problemas o Problemas y soluciones del Manual de uso y cuidado.
2. Todos los servicios bajo la garantía los brindan exclusivamente Prestadores autorizados de servicio de Whirlpool. Para EE. UU. y Canadá, dirija todas las solicitudes de servicio bajo la garantía a:

Centro para la eXperiencia del cliente de Whirlpool
En EE. UU., llame al 1-800-253-1301. En Canadá, llame al 1-800-807-6777.

Si usted se encuentra fuera de los cincuenta Estados Unidos o Canadá, póngase en contacto con su distribuidor autorizado de Whirlpool para determinar si corresponde otra garantía.

GARANTÍA LIMITADA DE UN AÑO

LO QUE ESTÁ CUBIERTO

Durante un año a partir de la fecha de compra, siempre y cuando este electrodoméstico principal haya sido instalado, mantenido y operado según las instrucciones adjuntas o provistas con el producto, Whirlpool Corporation o Whirlpool Canada LP (en lo sucesivo denominado "Whirlpool") se hará cargo del costo de las piezas especificadas de fábrica y del trabajo de reparación para corregir defectos en los materiales o en la mano de obra existentes en el momento de la compra de este electrodoméstico principal o, a su sola discreción, reemplazará el producto. En el caso de reemplazar el producto, su electrodoméstico estará cubierto por la garantía por el tiempo restante del período de garantía de la unidad original.

SU ÚNICO Y EXCLUSIVO RECURSO SEGÚN LOS TÉRMINOS DE ESTA GARANTÍA LIMITADA SERÁ EL DE REPARAR EL PRODUCTO SEGÚN SE ESTIPULA EN LA PRESENTE. El servicio deberá ser suministrado por una compañía de servicio designada por Whirlpool. Esta garantía limitada es válida solamente en Estados Unidos o en Canadá y se aplica solamente cuando el electrodoméstico principal se use en el país en el que se ha comprado. Esta garantía limitada entrará en vigor a partir de la fecha de la compra del consumidor original. Se requiere una prueba de la fecha de compra original para obtener servicio bajo esta garantía limitada.

LO QUE NO ESTÁ CUBIERTO

1. Uso comercial, no residencial o familiar múltiple o uso diferente del indicado en las instrucciones del usuario, del operador o de instalación publicadas.
2. Instrucción a domicilio sobre cómo usar el producto.
3. Servicio para corregir el mantenimiento o la instalación incorrecta del producto, la instalación que no esté de acuerdo con los códigos eléctricos o de plomería o corrección de plomería o instalación eléctrica doméstica (por ejemplo, instalación eléctrica, fusibles o mangueras de entrada de agua del hogar).
4. Piezas de consumo (por ejemplo, focos de luz, baterías, filtros de agua o de aire, soluciones de conservación, etc.).
5. Defectos o daños causados por el uso de piezas o accesorios no legítimos de Whirlpool.
6. Conversión del producto de gas natural a gas L.P. o cambio del sentido de apertura de las puertas del electrodoméstico.
7. Daño causado por accidente, uso indebido, abuso, incendio, inundación, actos fortuitos o el empleo de productos no aprobados por Whirlpool.
8. Reparaciones a piezas o sistemas para corregir el daño o los defectos del producto a causa de reparaciones por servicio no autorizado, alteraciones o modificaciones en el electrodoméstico.
9. Daños estéticos, incluyendo rayaduras, abolladuras, desportilladuras u otro daño al acabado del electrodoméstico a menos que el mismo sea debido a defectos en los materiales o la mano de obra y se le informe a Whirlpool en un lapso de 30 días.
10. Decoloración, herrumbre u oxidación de las superficies producto de entornos corrosivos o cáusticos que incluyen, entre otras cosas, altas concentraciones de sal, humedad elevada o exposición a productos químicos.
11. Pérdida de comida o medicamentos debido a la falla del producto.
12. Recogida o entrega. Este producto está destinado para ser reparado en su hogar.
13. Gastos de viaje o de transporte para prestar servicio en lugares remotos en los cuales no haya disponible un técnico de servicio autorizado por Whirlpool.
14. Remoción o reinstalación de electrodomésticos en lugares inaccesibles o dispositivos empotrados (por ejemplo, adornos, paneles decorativos, pisos, armarios, islas, mostradores, paredes, etc.) que interfieran con el servicio, la remoción o el reemplazo del producto.
15. Servicio técnico o piezas para electrodomésticos con números de serie/modelo originales removidos, alterados o no identificados con facilidad.

El costo de la reparación o del reemplazo bajo estas circunstancias excluidas correrá por cuenta del cliente.

EXCLUSIÓN DE GARANTÍAS IMPLÍCITAS

LAS GARANTÍAS IMPLÍCITAS, INCLUYENDO CUALQUIER GARANTÍA IMPLÍCITA DE COMERCIABILIDAD O GARANTÍA IMPLÍCITA DE CAPACIDAD PARA UN PROPÓSITO PARTICULAR, SERÁN LIMITADAS A UN AÑO O AL PERÍODO MÁS CORTO PERMITIDO POR LEY. Algunos estados y provincias no permiten la limitación de la duración de las garantías implícitas de comerciabilidad o capacidad, de modo que la limitación arriba indicada quizá no le corresponda. Esta garantía le otorga derechos legales específicos y es posible que usted tenga también otros derechos que varían de un estado a otro o de una provincia a otra.

EXCLUSIÓN DE DECLARACIONES FUERA DE LA GARANTÍA

Whirlpool no hace declaraciones acerca de la calidad, durabilidad o necesidad de servicio técnico o reparación de este electrodoméstico principal aparte de las declaraciones incluidas en esta garantía. Si usted desea una garantía con una duración más prolongada o más completa que la garantía limitada que se incluye con este electrodoméstico principal, deberá dirigirse a Whirlpool o a su distribuidor acerca de la compra de una garantía extendida.

LIMITACIÓN DE RECURSOS; EXCLUSIÓN DE DAÑOS INCIDENTALES Y CONSECUENTES

SU ÚNICO Y EXCLUSIVO RECURSO SEGÚN LOS TÉRMINOS DE ESTA GARANTÍA LIMITADA SERÁ EL DE REPARAR EL PRODUCTO SEGÚN SE ESTIPULA EN LA PRESENTE. WHIRLPOOL NO SE RESPONSABILIZARÁ POR DAÑOS INCIDENTALES O CONSECUENTES. Algunos estados y provincias no permiten la exclusión o limitación de daños incidentales o consecuentes, de modo que estas limitaciones y exclusiones quizá no le correspondan. Esta garantía le otorga derechos legales específicos y es posible que usted tenga también otros derechos que varían de un estado a otro o de una provincia a otra.

INSTRUCTIONS D'UTILISATION DU RÉFRIGÉRATEUR

Nous vous REMERCIONS d'avoir acheté ce produit de haute qualité. Enregistrer le réfrigérateur sur www.whirlpool.com.
Au Canada, composer le : **1 800 807-6777** ou enregistrer le réfrigérateur sur www.whirlpool.ca.

Pour référence ultérieure, noter par écrit les numéros de modèle et de série de votre produit, situés sur la paroi interne du compartiment de réfrigération.

Numéro de modèle _____ Numéro de série du produit _____

SÉCURITÉ DU RÉFRIGÉRATEUR

Votre sécurité et celle des autres est très importante.

Nous donnons de nombreux messages de sécurité importants dans ce manuel et sur votre appareil ménager. Assurez-vous de toujours lire tous les messages de sécurité et de vous y conformer.



Voici le symbole d'alerte de sécurité.

Ce symbole d'alerte de sécurité vous signale les dangers potentiels de décès et de blessures graves à vous et à d'autres.

Tous les messages de sécurité suivront le symbole d'alerte de sécurité et le mot "DANGER" ou "AVERTISSEMENT". Ces mots signifient :

! DANGER

Risque possible de décès ou de blessure grave si vous ne suivez pas immédiatement les instructions.

! AVERTISSEMENT

Risque possible de décès ou de blessure grave si vous ne suivez pas les instructions.

Tous les messages de sécurité vous diront quel est le danger potentiel et vous disent comment réduire le risque de blessure et ce qui peut se produire en cas de non-respect des instructions.

IMPORTANTES INSTRUCTIONS DE SÉCURITÉ

AVERTISSEMENT : Pour réduire les risques d'incendie, de choc électrique ou de blessures lors de l'utilisation du réfrigérateur, prendre quelques précautions fondamentales, y compris les suivantes :

- Brancher l'appareil sur une prise 3 alvéoles reliée à la terre.
- Ne pas enlever la prise de liaison à la terre.
- Ne pas utiliser d'adaptateur
- Ne pas utiliser de rallonge.
- Déconnecter la source de courant électrique avant l'entretien.
- Replacer pièces et panneaux avant de faire la mise en marche.
- Enlever les portes de votre ancien réfrigérateur.
- Utiliser un produit de nettoyage ininflammable.
- Garder les matières et les vapeurs inflammables, telles que l'essence, loin du réfrigérateur.
- Utiliser au moins deux personnes pour déplacer et installer le réfrigérateur
- Déconnecter la source de courant électrique avant de nettoyer le cache-ventilateur
- Si le cordon d'alimentation est endommagé, il doit être remplacé par le fabricant, son agent de service ou toute autre personne également qualifiée afin d'éviter tout danger.
- Garder les événements à l'intérieur de l'enceinte de l'appareil ou de la structure encastrée exempte d'obstacles.
- Cet appareil ne convient pas à une utilisation par des personnes (y compris des enfants) à capacités physiques, sensorielles ou mentales réduites, ou possédant un manque d'expérience et de connaissances, à moins qu'elles ne soient placées sous supervision ou qu'elles aient reçu des instructions concernant l'utilisation de l'appareil par une personne responsable de leur sécurité. Les enfants doivent être placés sous surveillance afin de s'assurer qu'ils ne jouent pas avec l'appareil.
- Ne pas utiliser des appareils mécaniques ou autres moyens pour accélérer le processus de dégivrage, autre que ceux recommandés par le fabricant
- Ne pas utiliser des appareils électriques à l'intérieur des compartiments d'aliments de l'appareil, à moins qu'ils soient de type recommandé par le fabricant.
- Ne pas endommager le circuit réfrigérant.

CONSERVER CES INSTRUCTIONS

Mise au rebut de votre vieux réfrigérateur

⚠ AVERTISSEMENT

Risque de suffoquer

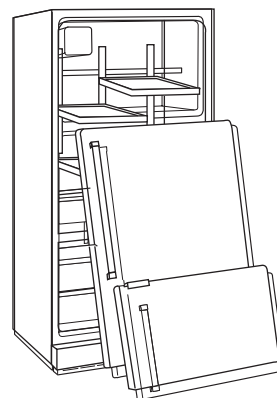
Enlever les portes de votre vieux réfrigérateur.

Le non-respect de cette instruction peut causer un décès ou des lésions cérébrales.

IMPORTANT : Encore de nos jours, des enfants peuvent rester pris ou s'étouffer à l'intérieur d'un appareil comme celui-ci. Les réfrigérateurs jetés ou abandonnés restent dangereux, même s'ils ne restent à l'extérieur que pour "quelques jours seulement". Si vous vous débarrassez de votre ancien réfrigérateur, veuillez suivre les instructions suivantes afin d'éviter les accidents.

Avant de jeter votre vieux réfrigérateur ou congélateur :

- Enlever les portes.
- Laisser les tablettes en place de sorte que les enfants ne puissent pas y pénétrer facilement.



Renseignements importants à propos de la mise au rebut des fluides réfrigérants :

Mettre le congélateur au rebut conformément à la réglementation fédérale et locale. Les fluides réfrigérants doivent être évacués par un technicien certifié et agréé par l'EPA conformément aux procédures établies.

INSTRUCTIONS D'INSTALLATION

Déballage du réfrigérateur

AVERTISSEMENT

Risque du poids excessif

Utiliser deux ou plus de personnes pour déplacer et installer le réfrigérateur.

Le non-respect de cette instruction peut causer une blessure au dos ou d'autre blessure.

Retrait des matériaux d'emballage

- Enlever tout résidu de ruban adhésif et de colle des surfaces du réfrigérateur avant de le mettre en marche. Frotter une petite quantité de savon liquide à vaisselle sur l'adhésif avec les doigts. Essuyer avec un chiffon humide et sécher avec un chiffon doux.
- Ne pas utiliser d'instruments coupants, d'alcool à friction, de liquides inflammables ou de nettoyants abrasifs pour enlever le ruban adhésif ou la colle. Ces produits peuvent endommager la surface du réfrigérateur. Pour plus de renseignements, voir la section "Sécurité du réfrigérateur".
- Éliminer/recycler tous les matériaux d'emballage.

Avant utilisation

Déplacement de votre réfrigérateur :

Votre réfrigérateur est lourd. Lors du déplacement de votre réfrigérateur pour le nettoyage ou un entretien ou réparation, veiller à recouvrir le plancher avec du carton ou un panneau de fibres dures pour éviter qu'il ne subisse tout dommage. Toujours tirer le réfrigérateur tout droit lors de son déplacement. Ne pas incliner le réfrigérateur d'un côté ou de l'autre ni le "faire marcher" en essayant de le déplacer car le plancher pourrait être endommagé.

IMPORTANT :

- Afin de tirer le meilleur parti de votre réfrigérateur, lire les instructions — elles contiennent une description du réfrigérateur et d'autres conseils utiles.
- Toute intervention sur le réfrigérateur doit être effectuée par un technicien qualifié.
- Attendre au moins 2 heures avant de raccorder le réfrigérateur à une source d'alimentation électrique afin de s'assurer que le circuit réfrigérant est parfaitement opérationnel.
- Tenir le cordon d'alimentation à l'écart durant l'installation pour éviter tout dommage.
- Le réfrigérateur doit être d'aplomb et ne doit pas être incliné vers l'arrière.

Nettoyage avant utilisation

Après avoir enlevé tous les matériaux d'emballage, nettoyer l'intérieur du réfrigérateur avant de l'utiliser. Voir les instructions de nettoyage dans "Entretien du réfrigérateur ».

Importants renseignements à savoir au sujet des tablettes et des couvercles en verre :

Ne pas nettoyer les tablettes ou couvercles en verre avec de l'eau tiède quand ils sont froids. Les tablettes et les couvercles peuvent se briser s'ils sont exposés à des changements soudains de température ou à un impact tel que coup brusque. Le verre trempé est conçu pour éclater en d'innombrables pièces minuscules. Ceci est normal. Les tablettes et les couvercles en verre sont lourds. Les saisir à deux mains lors de leur dépose afin d'éviter de les faire tomber.

Exigences d'emplacement

⚠ AVERTISSEMENT



Risque d'explosion

Garder les matériaux et les vapeurs inflammables, telle que l'essence, loin du réfrigérateur.

Le non-respect de cette instruction peut causer un décès, une explosion ou un incendie.

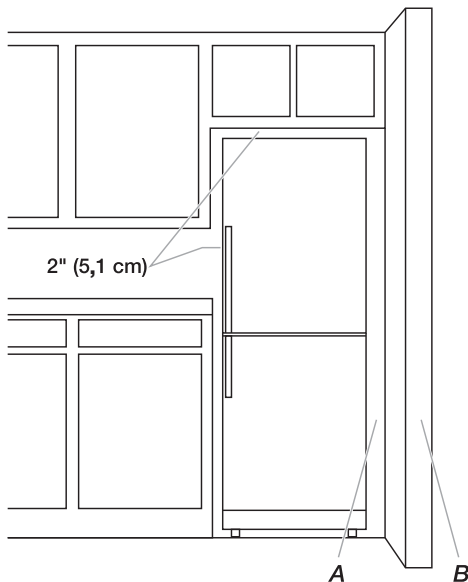
IMPORTANT :

- Ce réfrigérateur est conçu pour un usage domestique, à l'intérieur uniquement.
- Garder les ouvertures d'aérations du réfrigérateur libres de toute obstruction.

Ventilation et espace libre

Pour garantir une ventilation adéquate, laisser un espace de chaque côté et au-dessus de l'appareil. La distance séparant l'arrière de l'appareil et le mur devrait être d'au moins 2 po (5 cm). Un espace inférieur augmentera la consommation d'électricité de l'appareil.

Pour permettre à la porte d'ouvrir pendant l'installation de votre réfrigérateur près d'un mur, l'espace minimum qui doit être laissé entre le côté du réfrigérateur et le mur dépend de la distance à laquelle le mur pénètre dans la pièce.



Mur (B)	Espace minimum (A)
Moins de 47 ⁷ / ₈ " (121,6 cm)	0,2 po (0,5 cm)
47 ⁷ / ₈ " (121,6 cm) ou plus	1,57 po (4 cm)

Température

Ce réfrigérateur est conçu pour être utilisé dans un endroit où la température est comprise entre un minimum de 50 °F (10 °C) et un maximum de 110 °F (43 °C). La plage de température ambiante idéale pour une performance optimale est comprise entre 61 °F (16 °C) et 110 °F (43 °C). Respecter cette plage de température permet aussi de réduire la consommation d'électricité et d'optimiser l'efficacité du refroidissement. Il est recommandé de ne pas installer le réfrigérateur près d'une quelconque source de chaleur, comme un four ou un radiateur.

Spécifications électriques

⚠ AVERTISSEMENT



Risque de choc électrique

Brancher sur une prise à 3 alvéoles reliée à la terre.

Ne pas enlever la broche de liaison à la terre.

Ne pas utiliser un adaptateur.

Ne pas utiliser un câble de rallonge.

Le non-respect de ces instructions peut causer un décès, un incendie ou un choc électrique.

Avant de placer le réfrigérateur à son emplacement final, il est important de vous assurer d'avoir le raccordement électrique approprié.

Méthode recommandée de liaison à la terre

Une source d'alimentation de 115 volts, 60 Hz, type 15 ou 20 ampères CA seulement, protégée par fusible et adéquatement mise à la terre, est nécessaire pour cet appareil. Il est recommandé d'utiliser un circuit distinct pour alimenter le réfrigérateur uniquement. Utiliser une prise de courant dont l'alimentation ne peut pas être interrompue par un interrupteur. Ne pas utiliser de rallonge.

REMARQUE : Avant de procéder à tout type d'installation, de nettoyage ou de changement d'ampoule, déconnecter le réfrigérateur de la source d'alimentation. Une fois l'opération terminée, reconnecter le réfrigérateur à la source d'alimentation.

Inversion du sens de l'ouverture de la porte (facultatif)

Pour inverser le sens d'ouverture de la porte afin que les portes du réfrigérateur et du congélateur ouvrent dans le sens opposé, suivre les instructions suivantes.

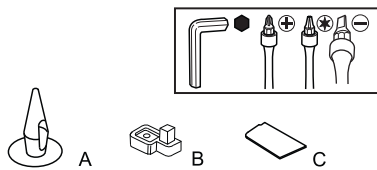
Remarque : Il est possible d'inverser le sens d'ouverture de la porte. L'opération effectuée par un fournisseur de services n'est pas couverte par la garantie. Il est recommandé d'être deux personnes pour inverser le sens d'ouverture de la porte.

Suivre les instructions du guide d'installation.

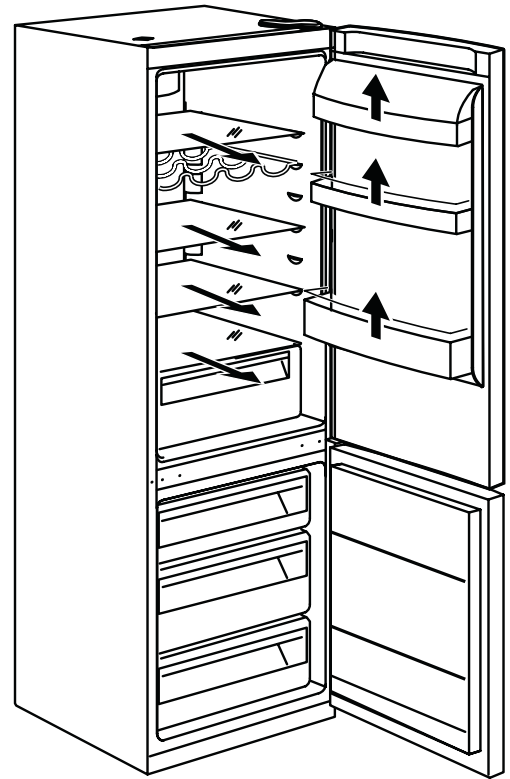
Rassembler les outils nécessaires et lire toutes les instructions avant de retirer les portes.

Pièces fournies : Trouver la trousse d'inversion (fournie) située dans le bac à légumes. L'ensemble contient (4) bouchons de charnière, (1) vis cruciforme, (1) bouchon de porte et (1) bouchon de prise.

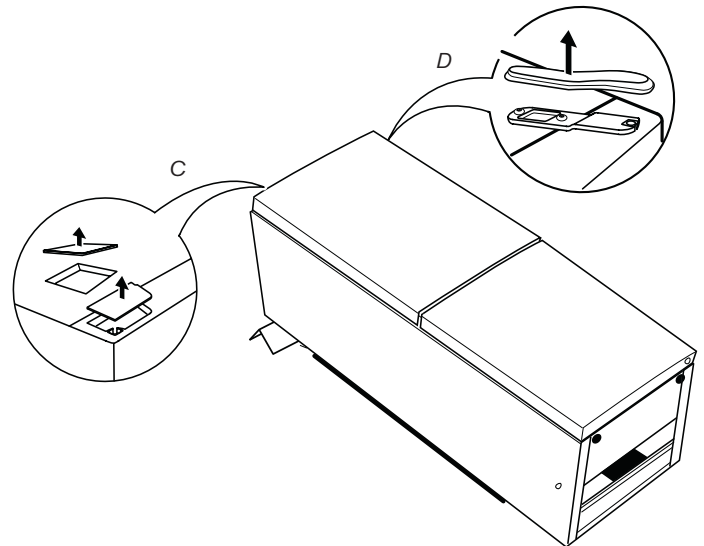
Outils nécessaires : Clé hexagonale no 4, tournevis T25® TORX®, tournevis cruciforme no 1, tournevis plat et tournevis T15® TORX®



A. Bouchons de charnière (4) C. Bouchon de porte (1)
B. Vis cruciforme (1) D. Bouchons de prise (1)



- Retirer les bouchons des deux côtés. Ne pas jeter les bouchons.



⚠ AVERTISSEMENT



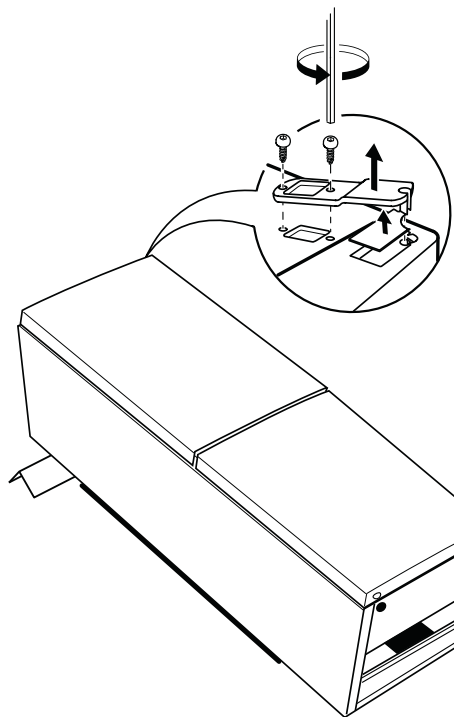
Risque de choc électrique

Déconnecter la source de courant électrique avant d'enlever les portes.

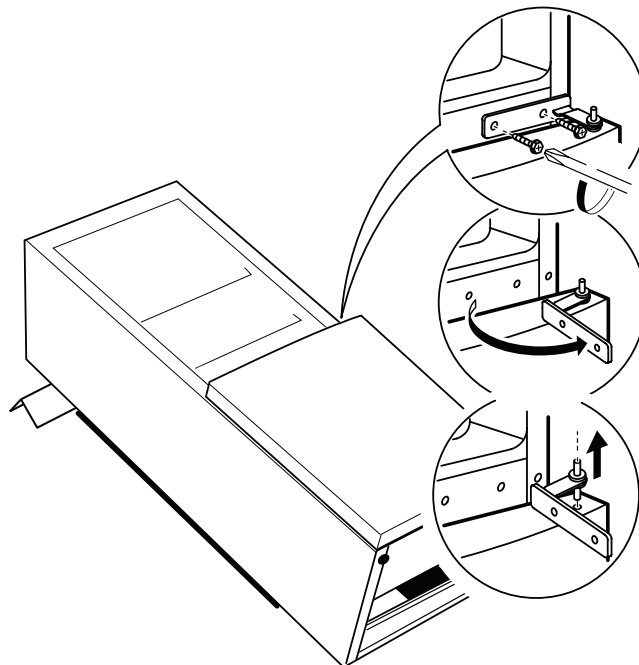
Le non-respect de cette instruction peut causer un décès ou un choc électrique.

- Avant de commencer, débrancher le réfrigérateur, puis retirer la nourriture et les balconnets des portes.

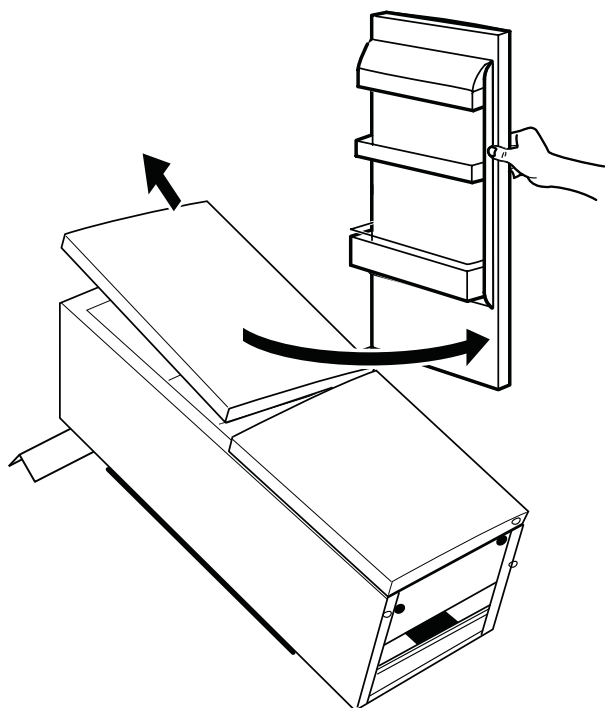
3. Débrancher le connecteur de la fente. Ne pas jeter le bouchon. Retirer les vis à l'aide d'une clé hexagonale de $\frac{3}{16}$ po, puis retirer la charnière. Retirer ensuite la bague de l'autre côté. Vérifier la position du manchon. Le manchon devrait être placé sur le câble.



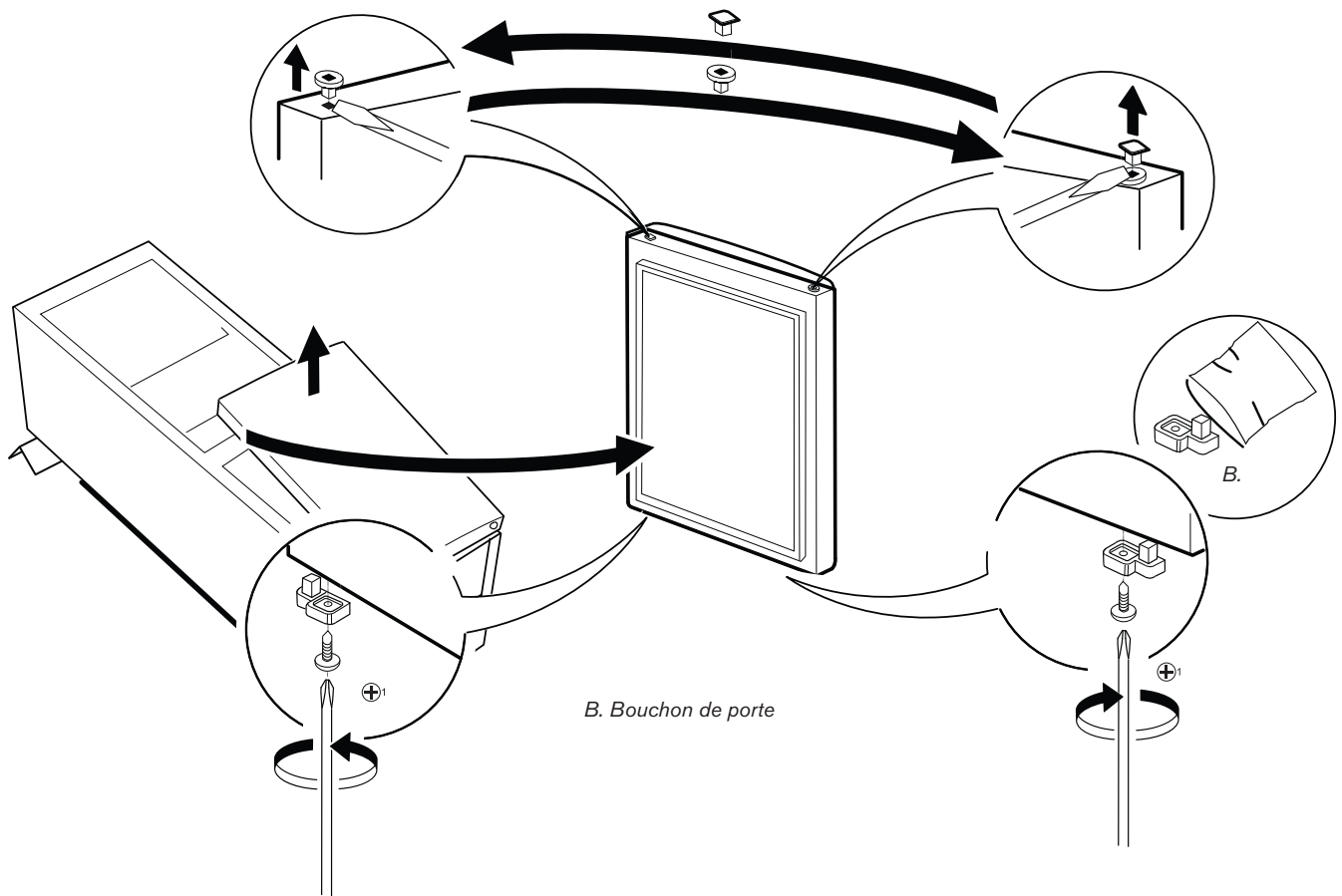
5. Retirer les vis tenant la charnière centrale. Tirer sur la charnière pour l'enlever de la porte. Retirer la charnière avec un manchon carré et les garder de côté.



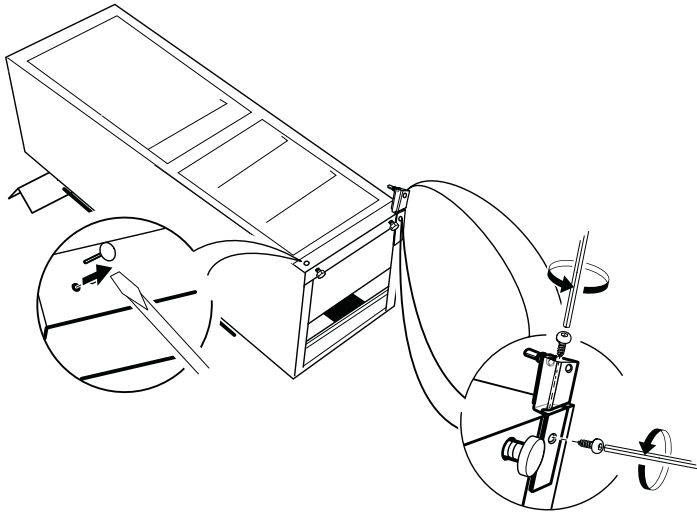
4. Ouvrir la porte et la soulever pour retirer de la charnière du centre. Mettre la porte de côté.



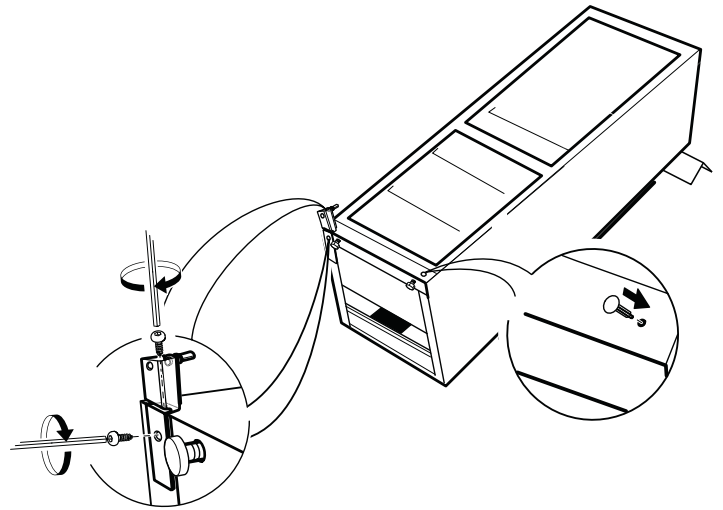
6. Ouvrir la porte et la soulever pour la retirer de la charnière du bas. Déplacer le manchon carré d'un côté à l'autre (à l'aide d'un outil plat). Positionner correctement à l'aide des doigts.



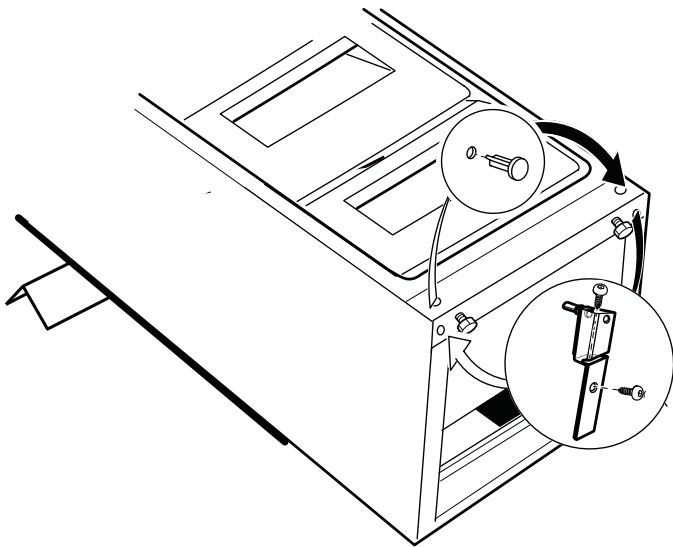
7. Retirer les vis maintenant la charnière du bas, puis retirer la charnière et garder de côté. Retirer le bouchon pour trou de vis du bas de la caisse.



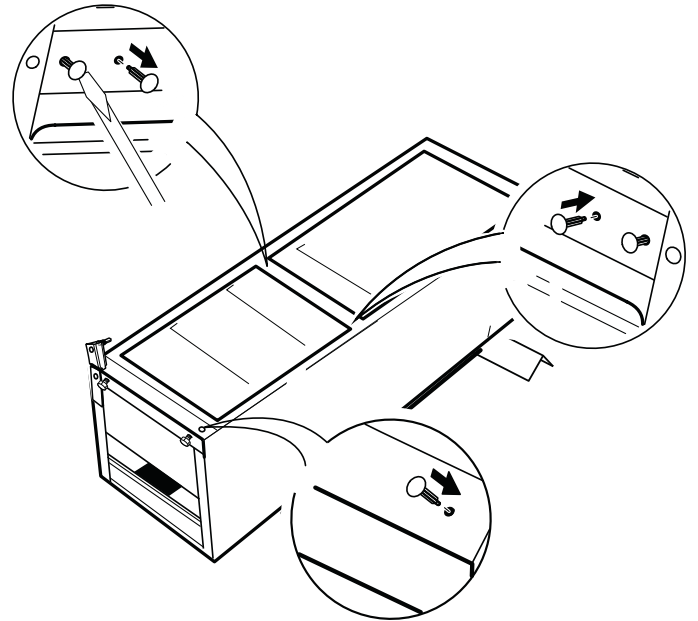
9. Replacer la charnière sur le côté opposé à l'aide des vis retirées précédemment.



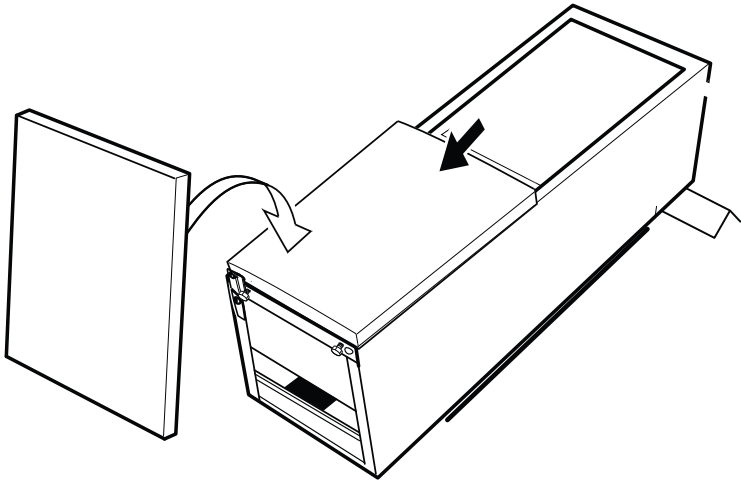
8. Déplacer le bouchon de trou de vis retiré précédemment de l'autre côté et mettre en place à l'aide des doigts.



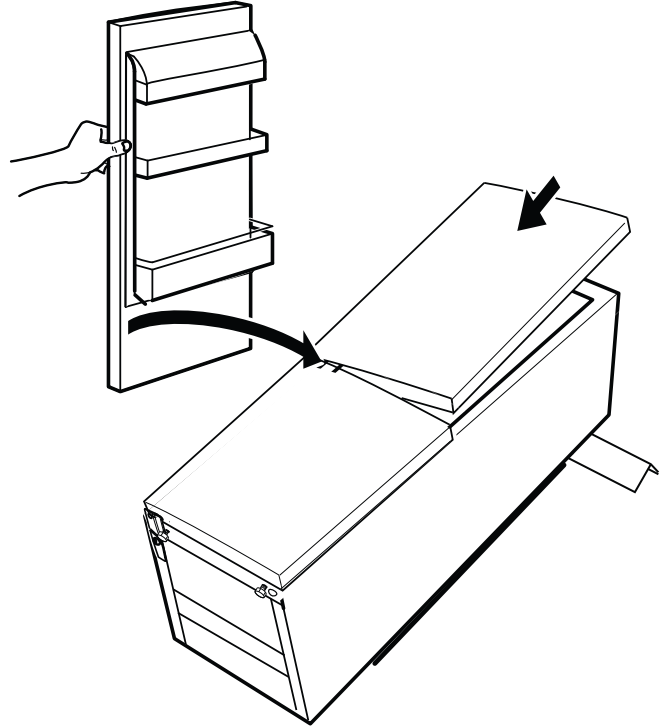
10. Retirer les bouchons de trous de vis et les transférer de l'autre côté. Les placer correctement à l'aide des doigts.



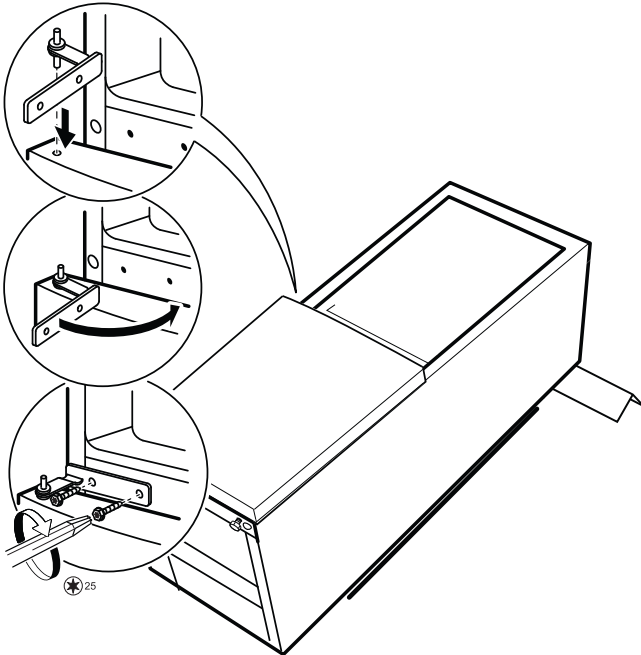
11. Retirer la porte du bas de la charnière du bas (ouvrir et pousser depuis le bas). Déplacer le manchon carré d'un côté à l'autre (à l'aide d'un outil plat). Positionner correctement à l'aide des doigts.



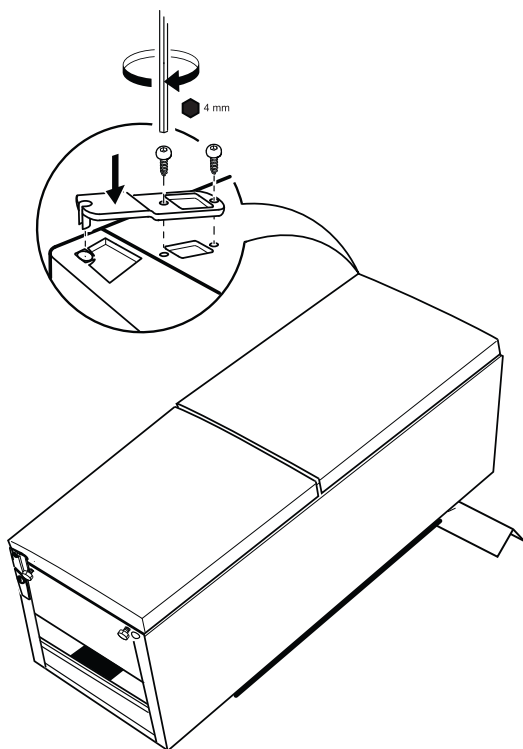
13. Remettre la porte du haut sur la charnière centrale.



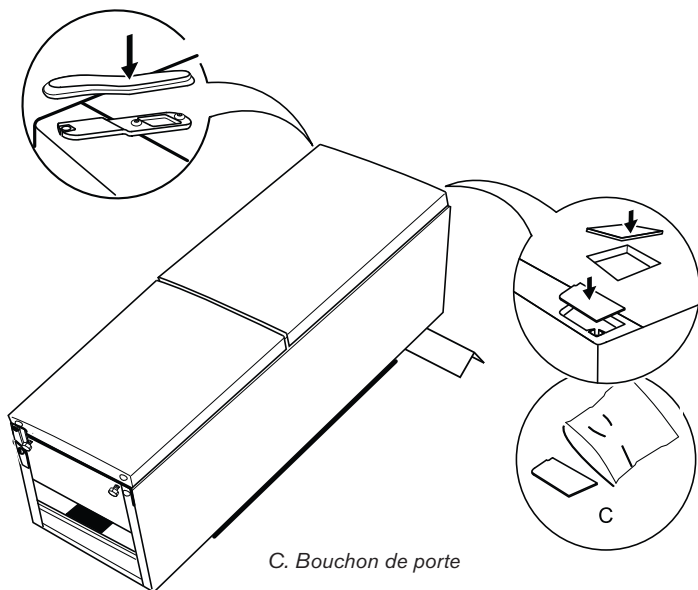
12. Prendre la charnière centrale (manchon carré). Insérer le bouchon de vis carré. Visser la charnière (à l'aide d'une clé hexagonale).



14. Visser la charnière du haut (à l'aide d'une clé hexagonale)



15. Mettre les bouchons en place.



Inverser la poignée (si elle était déjà installée)

⚠ AVERTISSEMENT

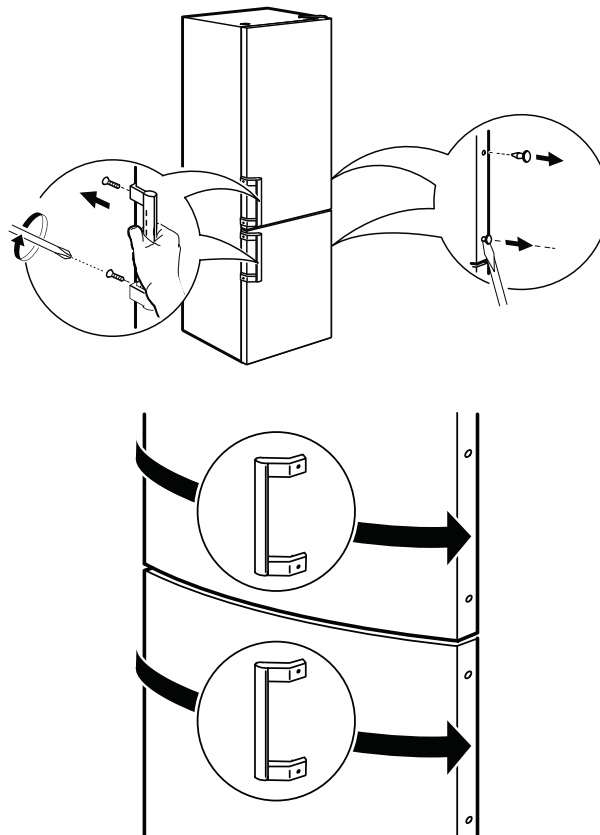


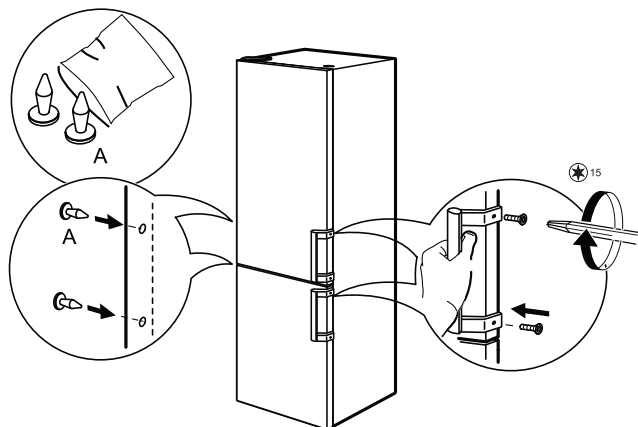
Risque de choc électrique

Déconnecter la source de courant électrique avant d'enlever les portes.

Le non-respect de cette instruction peut causer un décès ou un choc électrique.

1. Débrancher le réfrigérateur ou déconnecter la source d'alimentation.
2. À l'aide d'un tournevis, retirer les bouchons de poignées, puis retirer les poignées du côté gauche de la porte et les bouchons du côté droit.
3. Insérer les bouchons de trous (de la trousse d'inversion) dans les trous restants après avoir retiré les poignées.
4. Installer les poignées de porte et les bouchons de poignées sur le côté opposé de la porte.





A. Bouchons de charnière

Étapes finales

1. Inspecter tous les trous pour vérifier que tous les bouchons de trou et vis sont en place.

⚠ AVERTISSEMENT



Risque de choc électrique

Brancher sur une prise à 3 alvéoles reliée à la terre.

Ne pas enlever la broche de liaison à la terre.

Ne pas utiliser un adaptateur.

Ne pas utiliser un câble de rallonge.

Le non-respect de ces instructions peut causer un décès, un incendie ou un choc électrique.

2. Brancher l'appareil sur une prise 3 alvéoles reliée à la terre.

REMARQUE : Garder le réfrigérateur en position verticale au moins 2 heures avant de brancher l'alimentation.

3. Réinstaller l'ensemble des pièces de porte amovibles sur la porte et remettre les aliments dans le réfrigérateur.

REMARQUE : Attendre au moins 24 heures que le réfrigérateur refroidisse complètement avant d'y placer des aliments. Si on ajoute des aliments avant que le réfrigérateur ne soit complètement refroidi, les aliments risquent de se gaspiller.

Installer la poignée de porte (sur certains modèles)

Sur certains modèles la poignée de porte est installée en usine. Si la poignée de porte de votre réfrigérateur n'est pas installée en usine, suivre les instructions suivantes.

IMPORTANT : Pour inverser le sens d'ouverture de la porte afin que les portes du réfrigérateur et du congélateur ouvrent dans le sens opposé, consulter les instructions "Inversion du sens de l'ouverture de la porte" avant d'installer les poignées de porte.

Pièces fournies : Les poignées de porte sont rangées dans le compartiment de congélation et la trousse d'inversion contenant les vis et les bouchons de trous est située dans le bac à légumes du réfrigérateur.

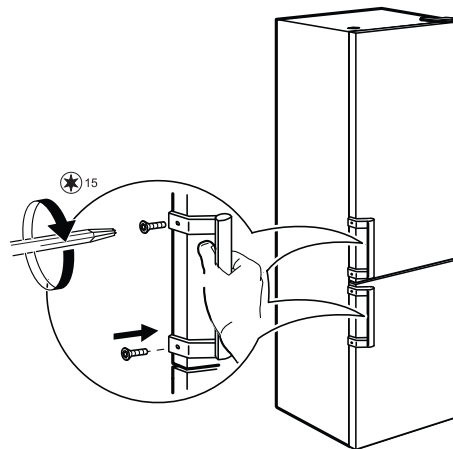
Pièces	Lieu
■ Poignées de porte (2)	Compartiment de congélation
■ Vis de poignées (4)	Bac à légumes
■ Bouchons de poignées (4)	Bac à légumes

Rassembler les outils nécessaires.

Outils nécessaires : Tournevis cruciforme

Installation des poignées

1. Retirer les poignées de porte de leur emballage. Retirer les vis et les bouchons d'obturation de la trousse d'inversion du sens d'ouverture.
2. Au moyen des vis, fixer les poignées aux portes.
3. Insérer les bouchons d'obturation pour couvrir les vis.



UTILISATION DU RÉFRIGÉRATEUR

Utilisation des commandes

Le tableau de commande se trouve dans la partie supérieure avant du compartiment de réfrigération.

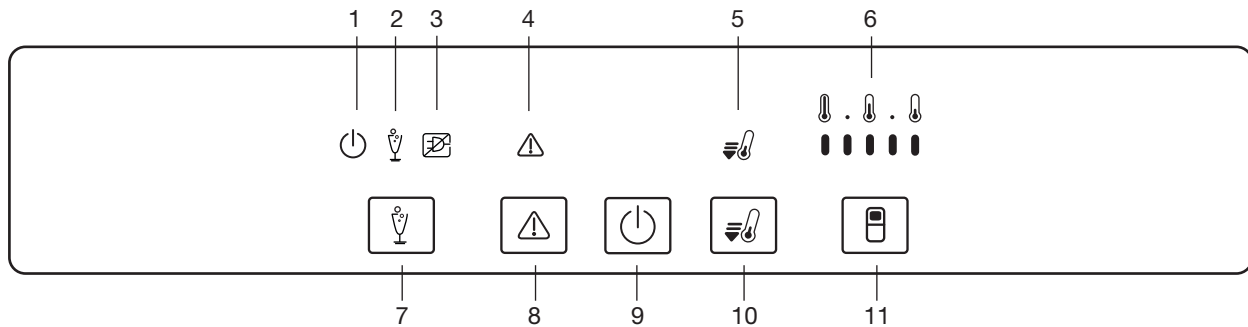
IMPORTANT :

- Une fois que l'on a branché le réfrigérateur, il commence automatiquement à refroidir.
- Les DEL du tableau de commande s'allument pendant environ 1 seconde, et le point de réglage de température s'affiche une fois le processus d'initialisation terminé.
- Les réglages sont faits correctement lorsque le lait ou le jus sont aussi froids que désiré et lorsque la crème glacée est ferme.

- Attendre au moins 24 heures que le réfrigérateur refroidisse complètement avant d'y placer des aliments. Si on ajoute des aliments avant que le réfrigérateur ne soit complètement refroidi, les aliments risquent de se gaspiller.

REMARQUE : Le fait d'ajuster les commandes de température du réfrigérateur et du congélateur à un réglage plus froid que le réglage recommandé ne refroidira pas les compartiments plus rapidement.

- Si la température est trop tiède ou trop froide dans le réfrigérateur ou le congélateur, vérifier d'abord les événements pour s'assurer qu'ils ne sont pas bloqués, avant de régler les commandes.



1. Témoin de MISE EN MARCHÉ/ ATTENTE
2. Témoin du MODE FÊTE
3. Témoin D'ALARME DE PANNE DE COURANT
4. Témoin D'ARRÊT D'ALARME
5. Témoin de CONGÉLATION RAPIDE

6. AFFICHAGE DE LA TEMPÉRATURE
7. Bouton MODE FÊTE
8. Bouton ARRÊT D'ALARME
9. Bouton MARCHÉ/ATTENTE
10. Bouton CONGÉLATION RAPIDE
11. BOUTON TEMPÉRATURE DU RÉFRIGÉRATEUR

Fonctions

Marche/veille

Pour mettre le produit en mode veille, appuyer sur le bouton Marche/veille et le maintenir enfoncé pendant 3 secondes. Tous les témoins se ferment sauf le témoin marche/veille.

Appuyer de nouveau pour réactiver

Mode fête

Appuyer sur le bouton Mode fête pour activer/désactiver la fonction de mode fête. Utiliser cette fonction pour refroidir des boissons dans le congélateur.

IMPORTANT : Ne pas laisser les boissons dans le congélateur plus longtemps que le temps d'activation de la fonction (30 minutes).

Congélation rapide

L'utilisation de cette fonction est recommandée lorsqu'une très grande quantité d'aliments doit être congelée dans le congélateur. 24 heures avant l'opération de congélation, appuyer sur le bouton de congélation pour activer la fonction de congélation rapide. Lorsqu'elle est activée, le témoin de congélation rapide s'allume. Après 24 heures, placer les aliments à congeler au centre du congélateur. La fonction se ferme automatiquement après 48 heures, elle peut aussi être fermée en appuyant sur le bouton de congélation rapide.

Lampe du réfrigérateur

La lampe à l'intérieur du réfrigérateur utilise des ampoules DEL, ce qui permet d'obtenir un meilleur éclairage, ainsi qu'une faible consommation d'électricité.

Si le système d'éclairage à DEL ne fonctionne pas, veuillez communiquer avec votre fournisseur de services pour planifier une réparation.

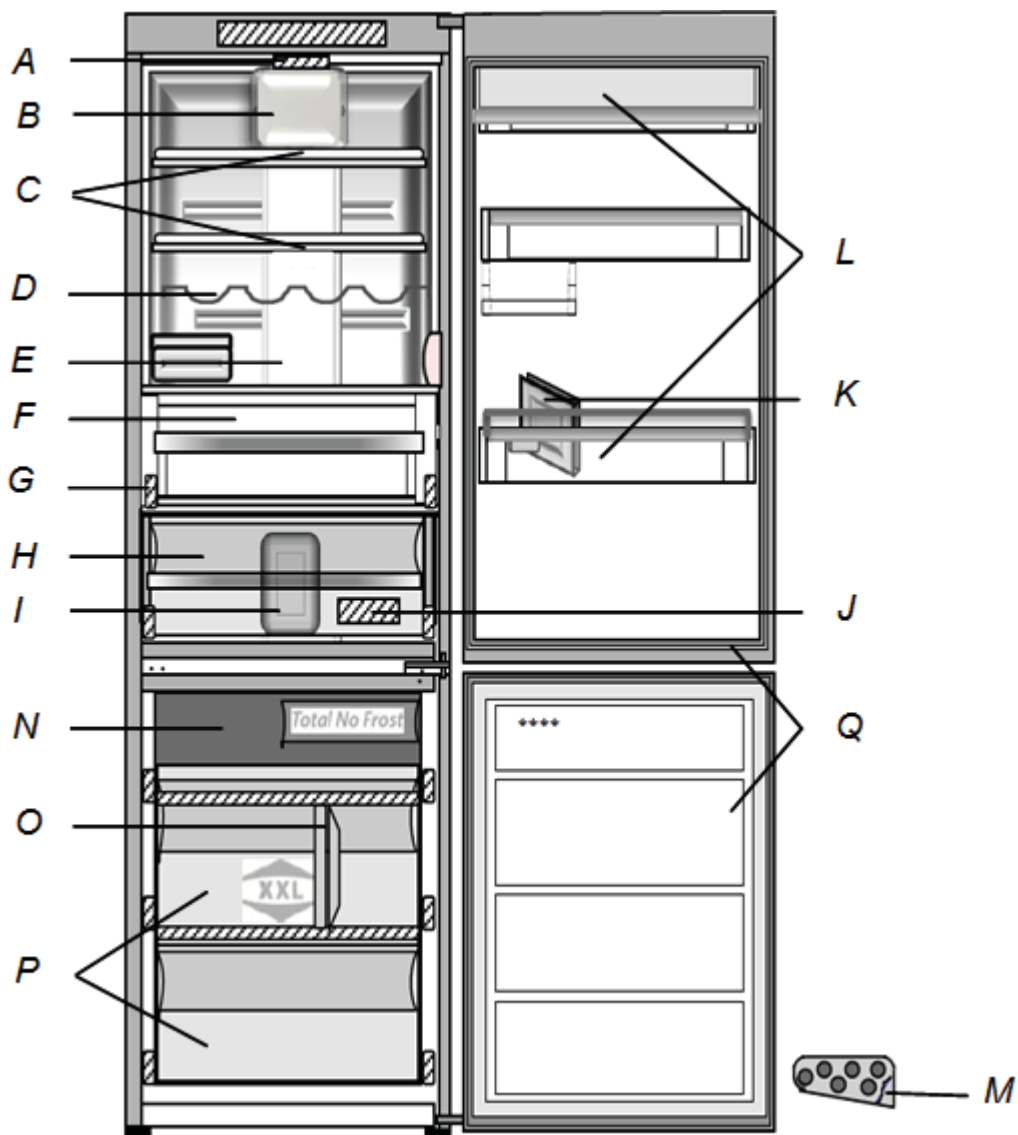
IMPORTANT : L'éclairage du réfrigérateur s'allume lorsque la porte est ouverte. Si la porte reste ouverte plus de 10 minutes, la lumière se fermera automatiquement.

TABLEAU DES ALARMES

TYPE D'ALARME	Signal	Cause	Solution
Alarme de porte ouverte	L'alarme sonore est activée et l'indicateur d'alarme clignote.	La porte du congélateur ou du réfrigérateur est restée ouverte pendant plus de 2 minutes.	Fermer la porte et appuyer sur l'arrêt d'alarme pour arrêter l'alarme sonore.
Alarme de température	L'affichage de température clignote (°C) et l'indicateur d'alarme reste allumé.	La température intérieure n'est pas adéquate.	Appuyer sur le bouton d'arrêt d'alarme; l'alarme sonore se tait.
Alarme de longue panne de courant	L'icône d'alarme de panne de courant reste allumée, l'indicateur d'alarme clignote et l'affichage de température clignote (°C), affichant la température maximale atteinte pendant la panne.	Une panne prolongée peut faire monter la température interne à 0 °C.	Appuyer sur le bouton d'arrêt d'alarme; l'alarme sonore se tait.
Alarme de mode fête	L'indicateur du mode fête clignote et une alarme sonore est activée.	30 minutes s'écoulent après l'activation de la fonction du mode fête. Retirer les bouteilles du congélateur.	Appuyer sur le bouton d'arrêt d'alarme; l'alarme sonore se tait.
Fonctionnement défectueux	La lettre "F" clignote à l'affichage.	Fonctionnement défectueux du produit.	Communiquez avec votre fournisseur de services.

CARACTÉRISTIQUES DU RÉFRIGÉRATEUR

Selon le modèle, le nombre et le type de caractéristiques peuvent varier.



- | | |
|---|---|
| A. Éclairage DEL | J. Ensemble d'inversion |
| B. Ventilation | K. Séparateur |
| C. Tablettes | L. Balconnets de porte |
| D. Casier à bouteilles | M. Compartiment à œufs |
| E. Système d'air froid multidirectionnel | N. Panier supérieur (zone Total No Frost) |
| F. Compartiment de refroidissement (viande) | O. Cloison de tiroir |
| G. Plaque signalétique | P. Tablettes |
| H. Bac à légumes et à fruits | Q. Joints de porte |
| I. Cloison de tiroir réfrigéré | |

Tablettes du réfrigérateur

Les tablettes et balconnets du réfrigérateur sont amovibles et réglables afin de s'adapter aux besoins de rangement de l'utilisateur.

REMARQUES :

- Afin de pouvoir trouver plus facilement l'article que l'on cherche, on peut remiser ensemble des aliments semblables dans le réfrigérateur et régler les tablettes pour les adapter aux différentes tailles d'articles. Ceci réduira également la durée d'ouverture de la porte du réfrigérateur et permettra d'économiser de l'énergie.
- Les parties internes du réfrigérateur ne sont pas lavables au lave-vaisselle.

Tablettes en verre

Informations importantes à propos des tablettes et des couvercles en verre :

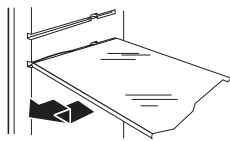
Ne pas nettoyer les tablettes ou les couvercles de verre avec de l'eau tiède lorsqu'ils sont froids. Les tablettes et couvercles peuvent se briser s'ils sont exposés à un changement de températures ou impact soudain, tel qu'une chute. Le verre trempé est conçu pour se briser en de multiples petits morceaux de la taille de gravillons. Ceci est normal. Les tablettes en verre et les couvercles sont lourds. Employer les deux mains lorsqu'on les retire afin d'éviter de les faire tomber.

Pour retirer une tablette :

1. Retirer les articles de la tablette.
2. Retirer la tablette en la faisant glisser tout droit jusqu'à la butée.
3. Soulever l'arrière de la tablette par-dessus la butée. Retirer complètement la tablette.

Pour réinstaller une tablette :

1. Réinstaller la tablette en la faisant glisser dans la rainure de la paroi de la caisse.
2. Guider l'avant de la tablette dans la rainure de tablette. S'assurer de faire glisser la tablette jusqu'au fond.



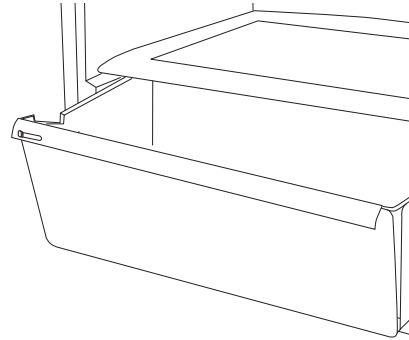
Compartiment de refroidissement (sur certains modèles)

Le compartiment de refroidissement est l'endroit idéal pour entreposer de la viande, de la volaille et du poisson.

Retrait et réinstallation du tiroir :

1. Faire glisser le tiroir directement vers l'extérieur jusqu'à la butée. Soulever le tiroir pour le dégager des glissières et le retirer complètement.

2. Réinstaller le tiroir en le replaçant sur les glissières et en le repoussant au-delà de la butée pour le réinsérer complètement.



Ventilation

Le ventilateur améliore la répartition du froid à l'intérieur du compartiment de réfrigération et permet ainsi une meilleure conservation des produits entreposés. Le ventilateur est activé par défaut.

REMARQUE : Ne pas obstruer la zone de prise d'air.



Compartiment de congélation

Pour augmenter la taille de l'espace de rangement pour les articles de grande taille, on peut utiliser le compartiment de congélation sans les paniers. Retirer les paniers et placer les articles directement sur les tablettes en verre.

ENTRETIEN DU RÉFRIGÉRATEUR

Nettoyage

⚠ AVERTISSEMENT



Risque d'explosion

Utiliser un produit de nettoyage ininflammable.

Le non-respect de cette instruction peut causer un décès, une explosion ou un incendie.

Nettoyer régulièrement l'appareil à l'aide d'un chiffon et d'une solution d'eau tiède et de détergent doux spécialement conçu pour l'intérieur des réfrigérateurs.

Nettoyer l'extérieur de l'appareil et le joint de porte à l'aide d'un chiffon humide et sécher avec un chiffon doux.

IMPORTANT :

- Comme l'air circule entre les deux sections, toutes les odeurs formées dans une section seront transférées à l'autre. Les deux sections doivent être nettoyées avec soin pour éliminer les odeurs. Pour éviter le transfert d'odeurs et l'assèchement des aliments, envelopper ou recouvrir hermétiquement les aliments.

- Pour les modèles en acier inoxydable, l'acier inoxydable est résistant à la corrosion, mais non anticorrosion. Afin d'éviter l'oxydation de l'acier inoxydable, veiller à ce que les surfaces restent propres en suivant les instructions de nettoyage suivantes.
- Les boutons et le tableau de commande ne doivent pas être nettoyés avec de l'alcool ou des substances à base d'alcool, mais à l'aide d'un chiffon sec.
- Le système de tuyaux du réfrigérateur est situé près du bac de dégivrage et peut devenir chaud. Nettoyer périodiquement à l'aide d'une balayette

Nettoyage du réfrigérateur

REMARQUE : Ne pas utiliser de nettoyeurs puissants ou abrasifs tels que les nettoyeurs à vitre en atomiseurs, nettoyeurs à récurer, liquides inflammables, acide chlorhydrique, cires nettoyantes, détergents concentrés, agents de blanchiment ou nettoyeurs contenant du pétrole sur les surfaces extérieures (portes et caisse de l'appareil), les pièces en plastique, les garnitures intérieures et garnitures de portes ou sur les joints de portes. Ne pas utiliser d'essuie-tout, de tampons à récurer ou d'autres outils de nettoyage abrasifs.

1. Débrancher le réfrigérateur ou déconnecter la source d'alimentation.
2. Laver à la main, rincer et sécher les pièces amovibles et les surfaces internes soigneusement. Utiliser une éponge propre ou un linge doux et un détergent doux dans de l'eau tiède.
3. Nettoyer les surfaces extérieures.

Métal peint : Laver les parties métalliques extérieures à l'aide d'un chiffon doux ou d'une éponge douce et propre et d'un détergent doux dans de l'eau tiède. Rincer les surfaces avec une eau propre et tiède et sécher immédiatement afin d'éviter d'éventuelles taches laissées par l'eau.

Acier inoxydable : Laver les surfaces en acier inoxydable à l'aide d'un chiffon doux ou d'une éponge douce et propre et d'un détergent doux dans de l'eau tiède. Rincer les surfaces avec une eau propre et tiède et sécher immédiatement afin d'éviter d'éventuelles taches laissées par l'eau.

REMARQUE : Lors du nettoyage de l'acier inoxydable, toujours frotter dans le sens du grain afin d'éviter d'érafler la surface.

4. Le condensateur n'a pas besoin d'être nettoyé souvent dans des conditions de fonctionnement domestique normales. Si l'environnement est particulièrement gras, poussiéreux ou s'il y a des animaux domestiques dans la maison, le condensateur devrait être nettoyé tous les 2 ou 3 mois pour assurer une efficacité maximum. Au besoin, nettoyer le condensateur à l'aide de l'aspirateur.
5. Brancher le réfrigérateur ou reconnecter la source d'alimentation.

Décongélation

RÉFRIGÉRATEUR SANS GLACE :

La décongélation du réfrigérateur est entièrement automatique. L'eau de décongélation est automatiquement acheminée dans le drain caché sous le Multi-flow et amassée dans un contenant où elle s'évapore.

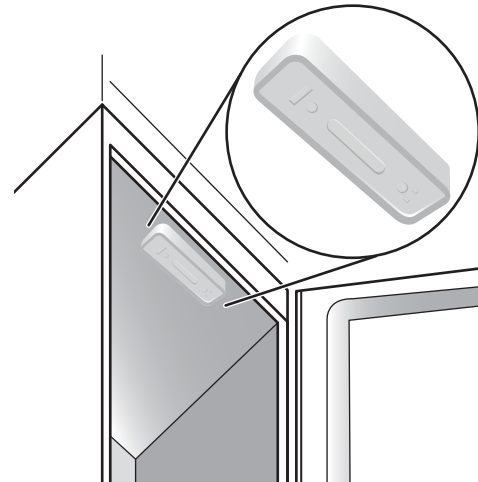
CONGÉLATEUR SANS GLACE :

Les congélateurs sans glace font circuler de l'air très froid dans les zones de stockage et préviennent la formation de glace, ils éliminent ainsi le besoin de décongélation. Les articles congelés ne collent pas aux parois, les étiquettes restent lisibles et l'espace de rangement reste propre.

Lampes

La lampe à l'intérieur du réfrigérateur utilise des ampoules DEL, ce qui permet d'obtenir un meilleur éclairage, ainsi qu'une faible consommation d'électricité. Si le système d'éclairage à DEL ne fonctionne pas, veuillez communiquer avec votre fournisseur de services pour le remplacer.

Important : L'éclairage du réfrigérateur s'allume lorsque la porte est ouverte. Si la porte reste ouverte plus de 4 minutes, la lumière se ferme automatiquement.



Précautions à prendre pour les vacances ou le déménagement

Vacances

Si vous choisissez de laisser le réfrigérateur en marche pendant votre absence :

Consommer ou surgeler tous les aliments périssables.

Si l'utilisateur choisit d'arrêter le réfrigérateur avant son absence :

1. Enlever tous les aliments du réfrigérateur.
2. À l'aide d'un ruban adhésif, placer des blocs de caoutchouc ou de bois dans la partie supérieure de chaque porte de façon à ce qu'elles soient suffisamment ouvertes pour permettre l'entrée de l'air à l'intérieur, afin d'éviter l'accumulation d'odeur ou de moisissure.

Déménagement

1. Retirer toutes les pièces amovibles, bien les envelopper et les attacher ensemble avec du ruban adhésif pour qu'elles ne bougent et ne s'entrechoquent pas durant le déménagement.
2. Débrancher le réfrigérateur.
3. Soulever les vis de nivellement pour qu'ils n'éraflent pas le sol.
4. Fermer les portes à l'aide de ruban adhésif et fixer le cordon d'alimentation à la partie arrière du réfrigérateur.

Une fois arrivé au nouveau domicile, remettre tout en place et consulter la section "Instructions d'installation" pour les instructions de préparation.

DÉPANNAGE

Essayez les solutions suggérées ici avant de demander de l'aide par téléphone.

⚠ AVERTISSEMENT



Risque de choc électrique

- Brancher sur une prise à 3 alvéoles reliée à la terre.
- Ne pas enlever la broche de liaison à la terre.
- Ne pas utiliser un adaptateur.
- Ne pas utiliser un câble de rallonge.
- Le non-respect de ces instructions peut causer un décès, un incendie ou un choc électrique.

⚠ AVERTISSEMENT



Risque d'explosion

- Utiliser un produit de nettoyage ininflammable.
- Le non-respect de cette instruction peut causer un décès, une explosion ou un incendie.

Si vous rencontrez les problèmes suivants	Causes possibles	Solutions recommandées
Le réfrigérateur ne fonctionne pas	<ul style="list-style-type: none"> ■ Il peut s'agir d'un problème d'alimentation de l'appareil 	<ul style="list-style-type: none"> ■ Vérifier si l'appareil est branché sur une prise sous tension appropriée. ■ Vérifier les éléments de protection et les fusibles du système électrique de votre maison.
Le moteur semble fonctionner excessivement	Le temps de fonctionnement du moteur dépend de différents facteurs; le nombre de portes ouvertes, la quantité de nourriture dans l'appareil, la température de la pièce et les réglages des commandes de température.	<ul style="list-style-type: none"> ■ S'assurer que les commandes du réfrigérateur sont bien réglées. ■ Vérifier si une grande quantité de nourriture a été ajoutée. ■ Vérifier que la porte n'est pas ouverte trop souvent. ■ Vérifier que la porte ferme correctement.
Le réfrigérateur semble bruyant Les bruits de fonctionnement du réfrigérateur peuvent être réduits en le mettant d'aplomb et en s'assurant qu'il se trouve sur un plancher de niveau.	Votre appareil peut produire les bruits suivant puisqu'il possède un certain nombre de ventilateur et de moteur qui s'ouvrent et se ferment automatiquement pour gérer le rendement :	<ul style="list-style-type: none"> ■ Sifflement – Lors de la mise en marche initiale du réfrigérateur ou après que son fonctionnement a été suspendu pendant longtemps. ■ Gargouillement – Le liquide réfrigérant pénètre dans les canalisations. ■ Bourdonnement – Lorsque le robinet d'eau s'ouvre ou que le ventilateur se met en marche. ■ Craquement – Lorsque le compresseur démarre. ■ Clic abrupt – Lorsque le thermostat ajuste le nombre de fois où le compresseur fonctionne
Les portes ne s'ouvrent et ne se ferment pas correctement	<ul style="list-style-type: none"> ■ Il peut y avoir plusieurs raisons (la section voir "solutions") 	<ul style="list-style-type: none"> ■ Vérifier que les emballages de nourriture ne bloquent pas la porte. ■ Vérifier que les parties internes sont bien à leur position. ■ Vérifier que les joints de porte ne sont pas sales ou collants. ■ Vérifier que le réfrigérateur est d'aplomb.

Si vous rencontrez les problèmes suivants	Causes possibles	Solutions recommandées
L'éclairage ne fonctionne pas	<ul style="list-style-type: none"> ■ L'ampoule peut avoir besoin d'être remplacée ■ Le réfrigérateur peut être en mode marche/veille 	<ul style="list-style-type: none"> ■ Vérifier le bon fonctionnement des éléments de protection et les fusibles du système électrique de votre maison. ■ Vérifier si l'appareil est branché sur une prise sous tension appropriée. ■ Dans le cas où les DEL seraient brisées, l'utilisateur doit appeler le service pour obtenir les DEL de remplacement qui ne sont disponibles que par notre centre de service après-vente ou un détaillant autorisé.
La température est trop élevée	<ul style="list-style-type: none"> ■ Il peut y avoir plusieurs raisons (la section voir "solutions") 	<ul style="list-style-type: none"> ■ Vérifier que le condensateur (à l'arrière du réfrigérateur) est propre et sans poussière. ■ Vérifier que les joints de la porte s'ajustent correctement. ■ Les journées chaudes ou si la pièce est chaude, le moteur fonctionne naturellement plus longtemps. ■ Si la porte du réfrigérateur est restée ouverte trop longtemps ou si une grande quantité de nourriture a été entreposée, le moteur fonctionnera plus longtemps pour permettre de refroidir l'intérieur du réfrigérateur.
La température est trop basse dans le réfrigérateur/bac à légumes	<ul style="list-style-type: none"> ■ Les ouvertures d'évacuation du réfrigérateur sont bloquées ■ Le réglage des commandes n'est pas adapté à l'environnement de l'appareil 	<ul style="list-style-type: none"> ■ Si l'ouverture d'évacuation est obstruée par des articles placés directement devant, le réfrigérateur sera trop froid. Éloigner les objets de l'ouverture d'évacuation. ■ Régler les commandes à un réglage plus chaud. Vérifier la température au bout de 24 heures.
Accumulation d'humidité à l'intérieur de l'appareil	<ul style="list-style-type: none"> ■ La pièce est humide ■ Les portes sont ouvertes fréquemment ou ne sont pas complètement fermées. ■ Les événements à l'intérieur sont bloqués. ■ Les emballages des aliments sont humides. 	<ul style="list-style-type: none"> ■ Un environnement humide contribue à l'accumulation d'humidité. ■ Ceci permet à l'air chaud de pénétrer dans le réfrigérateur. Minimiser les ouvertures de porte et garder les portes complètement fermées. ■ Éloigner les objets des ouvertures d'évacuation. ■ Emballer correctement les aliments et éponger toute humidité sur les contenants d'entreposage avant de les placer dans le réfrigérateur.
Le bac de dégivrage contient de l'eau	<ul style="list-style-type: none"> ■ C'est normal si le climat est chaud et humide. Le bac peut même être à moitié plein. 	<ul style="list-style-type: none"> ■ Vérifier que le réfrigérateur est d'aplomb pour que l'eau ne déborde pas.
Les côtés du réfrigérateur en contact avec le joint de la porte sont chauds au toucher	<ul style="list-style-type: none"> ■ Ce n'est pas un défaut. Cela est normal par temps chaud et lorsque le compresseur fonctionne. 	

Accessoires

Les accessoires suivants sont disponibles pour votre réfrigérateur. Pour commander un accessoire, nous contacter.

Au É.-U., consulter notre page Web à l'adresse www.whirlpool.com/accessories ou nous contacter au **1 800 253-1301**.

Au Canada, consulter notre page Web à l'adresse www.whirlpoolparts.ca ou nous contacter au **1 800 807-6777**.

Nettoyant pour acier inoxydable affresh® :

Aux États-Unis, commander la pièce numéro W10355016
 Au Canada, commander la pièce numéro W10355016B

Nettoyant pour acier inoxydable affresh® :

Aux États-Unis, commander la pièce numéro W10355049
 Au Canada, commander la pièce numéro 10355049B

Nettoyant pour cuisine et appareils ménagers affresh® :

Aux États-Unis, commander la pièce numéro W10355010
 Au Canada, commander la pièce numéro W10355016B

GARANTIE LIMITÉE DES GROS APPAREILS MÉNAGERS WHIRLPOOL CORPORATION

ATTACHEZ ICI VOTRE REÇU DE VENTE. UNE PREUVE D'ACHAT EST OBLIGATOIRE POUR OBTENIR L'APPLICATION DE LA GARANTIE.

Lorsque vous appelez le centre d'expérience de la clientèle, veuillez garder à disposition les renseignements suivants :

- Nom, adresse et numéro de téléphone
- Numéros de modèle et de série
- Une description claire et détaillée du problème rencontré
- Une preuve d'achat incluant le nom et l'adresse du marchand ou du détaillant

SI VOUS AVEZ BESOIN DE SERVICE :

1. Avant de nous contacter pour obtenir un dépannage, veuillez déterminer si des réparations sont nécessaires pour votre produit. Certains problèmes peuvent être résolus sans intervention de dépannage. Prenez quelques minutes pour parcourir la section Dépannage ou Résolution des problèmes du guide d'utilisation et d'entretien.
2. Tout service sous garantie doit être effectué exclusivement par nos fournisseurs de dépannage autorisés Whirlpool.
Aux É.-U. et au Canada, dirigez toutes vos demandes de service sous garantie au :

Centre d'expérience de la clientèle Whirlpool

Aux É.-U., composer le 1 800 253-1301. Au Canada, composer le 1 800 807-6777.

Si vous résidez à l'extérieur du Canada ou des 50 États des États-Unis, contactez votre marchand Whirlpool autorisé pour déterminer si une autre garantie s'applique.

GARANTIE LIMITÉE DE UN AN

CE QUI EST COUVERT

Pendant un an à compter de la date d'achat, lorsque ce gros appareil ménager est installé, utilisé et entretenu conformément aux instructions jointes à ou fournies avec le produit, Whirlpool Corporation ou Whirlpool Canada, LP (ci-après désignées "Whirlpool") décidera à sa seule discrétion de remplacer le produit ou de couvrir le coût des pièces spécifiées par l'usine et de la main-d'œuvre nécessaires pour corriger les vices de matériaux ou de fabrication qui existaient déjà lorsque ce gros appareil ménager a été acheté. S'il est remplacé, l'appareil sera couvert pour la période restant à courir de la garantie limitée d'un an du produit d'origine.

LE SEUL ET EXCLUSIF RECOURS DU CLIENT DANS LE CADRE DE LA PRÉSENTE GARANTIE LIMITÉE CONSISTE EN LA RÉPARATION PRÉVUE PAR LA PRÉSENTE. Le service doit être fourni par une compagnie de service désignée par Whirlpool. Cette garantie limitée est valide uniquement aux États-Unis ou au Canada et s'applique exclusivement lorsque le gros appareil ménager est utilisé dans le pays où il a été acheté. La présente garantie limitée est valable à compter de la date d'achat initial par le consommateur. Une preuve de la date d'achat initial est exigée pour obtenir un dépannage dans le cadre de la présente garantie limitée.

CE QUI N'EST PAS COUVERT

1. Usage commercial, non résidentiel ou par plusieurs familles, ou non-respect des instructions de l'utilisateur, de l'opérateur ou des instructions d'installation.
2. Visite d'instruction à domicile pour montrer à l'utilisateur comment utiliser l'appareil.
3. Visites de service pour rectifier une installation ou un entretien fautifs du produit, une installation non conforme aux codes d'électricité ou de plomberie, ou la rectification de l'installation électrique ou de la plomberie du domicile (ex : câblage électrique, fusibles ou tuyaux d'arrivée d'eau du domicile).
4. Pièces consommables (ex : ampoules, piles, filtres à air ou à eau, solutions de conservation, etc.).
5. Défauts ou dommage résultant de l'utilisation de pièces ou accessoires Whirlpool non authentiques.
6. Conversion de votre produit du gaz naturel ou du gaz de pétrole liquéfié, ou inversion des portes de l'appareil.
7. Dommages causés par : accident, mésusage, abus, incendie, inondations, catastrophe naturelle ou l'utilisation de produits non approuvés par Whirlpool.
8. Réparations aux pièces ou systèmes dans le but de rectifier un dommage ou des défauts résultant d'une réparation, altération ou modification non autorisée faite à l'appareil.
9. Défauts d'apparence, notamment les éraflures, traces de choc, fissures ou tout autre dommage subi par le fini de l'appareil ménager, à moins que ces dommages ne résultent de vices de matériaux ou de fabrication et ne soient signalés à Whirlpool dans les 30 jours suivant la date d'achat.
10. Décoloration, rouille ou oxydation des surfaces résultant d'environnements caustiques ou corrosifs incluant des concentrations élevées de sel, un haut degré d'humidité ou une exposition à des produits chimiques (exemples non exhaustifs).
11. Perte d'aliments ou de médicaments due à la défaillance du produit.
12. Enlèvement ou livraison. Ce produit est conçu pour être réparé à l'intérieur du domicile.
13. Frais de déplacement et de transport pour le dépannage/la réparation dans une région éloignée où une compagnie de service Whirlpool autorisée n'est pas disponible.
14. Retrait ou réinstallation d'appareils inaccessibles ou de dispositifs préinstallés (ex : garnitures, panneaux décoratifs, plancher, meubles, îlots de cuisine, plans de travail, panneaux de gypse, etc.) qui entravent le dépannage, le retrait ou le remplacement du produit.
15. Service et pièces pour des appareils dont les numéros de série et de modèle originaux ont été enlevés, modifiés ou ne peuvent pas être facilement identifiés.

Le coût d'une réparation ou d'un remplacement dans le cadre de ces circonstances exclues est à la charge du client.

CLAUDE D'EXONÉRATION DE RESPONSABILITÉ AU TITRE DES GARANTIES IMPLICITES

LES GARANTIES IMPLICITES, Y COMPRIS LES GARANTIES APPLICABLES DE QUALITÉ MARCHANDE OU D'APTITUDE À UN USAGE PARTICULIER, SONT LIMITÉES À UN AN OU À LA PLUS COURTE PÉRIODE AUTORISÉE PAR LA LOI. Certains États et provinces ne permettent pas de limitation sur la durée des garanties implicites de qualité marchande ou d'aptitude à un usage particulier, de sorte que la limitation ci-dessus peut ne pas être applicable dans votre cas. Cette garantie vous confère des droits juridiques spécifiques et vous pouvez également jouir d'autres droits qui peuvent varier d'une juridiction à l'autre.

EXONÉRATION DE RESPONSABILITÉ DANS LES DOMAINES NON COUVERTS PAR LA GARANTIE

Whirlpool décline toute responsabilité au titre de la qualité, de la durabilité ou en cas de dépannage ou de réparation nécessaire sur ce gros appareil ménager autre que les responsabilités énoncées dans la présente garantie. Si vous souhaitez une garantie plus étendue ou plus complète que la garantie limitée fournie avec ce gros appareil ménager, adressez-vous à Whirlpool ou à votre détaillant pour obtenir les modalités d'achat d'une garantie étendue.

LIMITATION DES RECOURS; EXCLUSION DES DOMMAGES FORTUITS OU INDIRECTS

LE SEUL ET EXCLUSIF RECOURS DU CLIENT DANS LE CADRE DE LA PRÉSENTE GARANTIE LIMITÉE CONSISTE EN LA RÉPARATION PRÉVUE PAR LA PRÉSENTE. WHIRLPOOL N'ASSUME AUCUNE RESPONSABILITÉ POUR LES DOMMAGES FORTUITS OU INDIRECTS. Certains États et certaines provinces ne permettent pas l'exclusion ou la limitation des dommages fortuits ou indirects de sorte que ces limitations et exclusions peuvent ne pas être applicables dans votre cas. Cette garantie vous confère des droits juridiques spécifiques et vous pouvez également jouir d'autres droits qui peuvent varier d'une juridiction à l'autre.