

# COOKERS PROFESSIONAL

User Instructions, Installation, Maintenance

## Cookers characteristics

These warnings refer to different models of cookers.

Be sure that you have correctly identified the model that you possess (see the rating plate).

ZONA PER  
TARGHETTA

MODEL	DIMENSIONS
UP30"	29 7/8" (W) x 25 19/32" (D) x 35 55/64" (H)
UP36"	35 7/8" (W) x 25 19/32" (D) x 35 55/64"- 36 7/32" (H)
UP361"	35 7/8" (W) x 25 19/32" (D) x 35 55/64"- 36 7/32" (H)
UPD36"	35 7/8" (W) x 25 19/32" (D) x 35 55/64"- 36 7/32" (H)
UPD40"	39 7/8" (W) x 25 19/32" (D) x 35 55/64"- 36 7/32" (H)
UP48"	47 7/8" (W) x 25 19/32" (D) x 35 55/64"- 36 7/32" (H)
UP60"	59 7/8" (W) x 25 19/32" (D) x 35 55/64"- 36 7/32" (H)
UPI304"	29 7/8" (W) x 25 19/32" (D) x 35 55/64" (H)
UPI366"	35 7/8" (W) x 25 19/32" (D) x 35 55/64"- 36 7/32" (H)
UPI3616"	35 7/8" (W) x 25 19/32" (D) x 35 55/64"- 36 7/32" (H)
UPID366"	35 7/8" (W) x 25 19/32" (D) x 35 55/64"- 36 7/32" (H)
UPDI406"	39 7/8" (W) x 25 19/32" (D) x 35 55/64"- 36 7/32" (H)
UPI486"	47 7/8" (W) x 25 19/32" (D) x 35 55/64"- 36 7/32" (H)



# INDEX

---

## 4 IMPORTANT SAFETY WARNINGS

- 4 Important - please read and follow
- 6 Important instruction
- 7 Induction appliance

---

## 8 INSTALLATION

- 8 Installation instructions
- 9 Instruction for base feet assembly
- 10 Pressure gas regulator installation instruction
- 11 Backguard installation instruction
- 12 Minimum spacing from combustible construction
- 13 Electrical connection
- 13 Induction appliance electrical connection
- 14 Gas connection
- 15 Performance checklist
- 16 Adjustment of the pressure regulator for use with different type of gas
- 17 Changing the injectors
- 19 Conversion kit installation instructions
- 20 Burners of the top
- 21 Adjusting the minimum gas flow

---

## 22 CLEANING AND MAINTENANCE

- 22 Replacing the bulb
- 23 Door removal
- 24 Cleaning the door and glasses
- 25 CLEANING THE OVEN

---

## 26 INSTRUCTIONS FOR USE

- 26 User manual
- 27 First system startup of the hob
- 28 Ignition of the "dual" burner
- 29 Use of the coup feu
- 30 Use of the electronic programmer
- 32 Use of the electric oven multifunction / static
- 33 Functions list for multifunction oven
- 34 Functions list for static oven
- 35 Accessories
- 36 INDUCTION APPLIANCES
- 36 COOKTOP
- 37 Instructions for use
- 41 Cleaning and maintenance induction appliances
- 42 Fan oven cooking chart
- 43 Natural convection oven cooking chart
- 44 ELECTRICAL SKETCHES
- 57 ELECTRICAL AND GAS POWER TABLE
- 58 Injectors for a device installed at an altitude above 2000 ft

# IMPORTANT - PLEASE READ AND FOLLOW

- Before beginning, please read these instructions completely and carefully.
- Do not remove permanently affixed labels, warnings, or plates from the product. This may void the warranty.
- Please observe all local and national codes and ordinances.
- Please ensure that this product is properly grounded.
- The installer should leave these instructions with the consumer who should retain them for local inspector's use and for future reference.



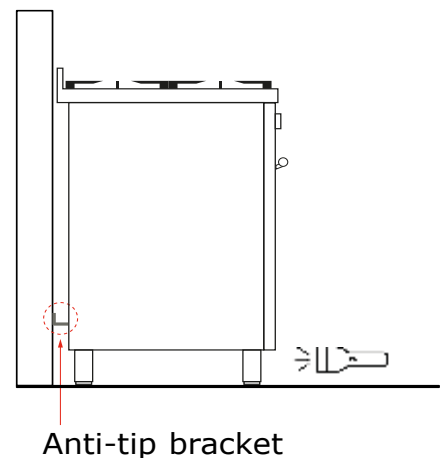
## WARNING



### TIPPING HAZARD

To reduce the risk of the appliance tipping, it must be secured by a properly installed anti-tip bracket(s). Verify that the anti-tip bracket has been properly attached to the floor or wall as directed in the installation instructions. After removing the drawer, or the panel under the door, using a flashlight, verify that the anti-tip bracket has been installed properly

- THIS RANGE CAN TIP
- INJURIES TO PERSONS CAN RESULT
- INSTALL ANTI-TIP DEVICE PACKED WITH RANGE
- SEE INSTALLATION INSTRUCTIONS



**WARNING** If the informations in this instructions is not followed exactly, a fire or explosion may result causing property damage, personal injury or death.

— Do not store or use gasoline or other flammable vapors and liquids in the vicinity of this or any other appliance.

— **WHAT TO DO IF YOU SMELL GAS:**

- Do not try to light any appliance.
- Do not touch any electrical switch.
- Do not use any phone in your building.
- Immediately call your gas supplier from a neighbor's phone.

Follow the gas supplier's instructions.

- If you cannot reach your gas supplier, call the fire department.

— Installation and service must be performed by a qualified installer, service agency or the gas supplier.



## WARNING

- NEVER use this appliance as a space heater to heat or warm the room. Doing so may result in carbon monoxide poisoning (only for GAS cooking).
- IF YOU OR SOMEONE IN YOUR FAMILY HAS A PACEMAKER, PLEASE CONSULT WITH A PHYSICIAN BEFORE USING. Due to high operating frequencies, a pacemaker may not function properly due to electromagnetic transmissions.
- Keep appliance area clear and free from combustible materials, gasoline and other flammable vapors and liquids.
- A child or adult can tip the range and be killed.
- Install the anti-tip device to the structure and/or the range. Verify the anti-tip device has been properly installed and engaged [2 options are available: please refer to the pictures at page 10].
- Engage the range to the anti-tip device by [2 options are available: please refer to the pictures at page 10]. Ensure the anti-tip device is re-engaged when the range is moved.
- Re-engage the anti-tip device if the range is moved. Do not operate the range without the anti-tip device in place and engaged.
- See installation instructions for details.
- If the enclosed hardware cannot be utilized, please refer to a qualified installer to properly fasten the appliance so that it does not tip over.
- Failure to do so can result in death or serious burns to children or adults.
  
- Installation must conform with local codes or in absence of codes, the National Fuel Gas Code ANSI Z223.1/NFPA 54 latest edition. Electrical installation must be in accordance with the National Electrical Code, ANSI/NFPA 70 latest edition and/or local codes. IN CANADA: Installation must be in accordance with the current CAN/CGA-B149.1 National Gas Code or CAN/CGA-B 149.2, Propane. Installation Code and/or local codes. Electrical installation must be in accordance with the current CSA C22.1 Canadian Electrical Codes Part 1 and/or local codes.
- Installation of any gas-fired equipment should be made by a licensed plumber. A manual gas shut-off valve must be installed in the gas supply line ahead of the oven in the gas stream for safety and ease of service.
- In Massachusetts: All gas products must be installed by a "Massachusetts" licensed plumber or gasfitter. A "T" handle type manual gas valve must be installed in the gas supply line to this appliance. The manufacturer will not be responsible for any damage to property or to persons caused by incorrect installation or improper use of the appliance.
- The manufacturer reserves the right to make changes to its products when considered necessary and useful, without affecting the essential safety and operating characteristics.
- This appliance has been designed for non-professional, domestic use only.
- This appliance must be used only for the purposes for which it was intended. Any other use is incorrect and therefore dangerous.
- Possible hazards may result from using this appliance for storage space.
- Appliances are not intended for manufactured (mobile) home installation.
- Misuse of appliance doors or drawers such as stepping, leaning or sitting on them can result in damage or personal hazards or injuries.
- DO NOT TOUCH HEATING ELEMENTS OR INTERIOR SURFACES OF OVEN – Heating elements may be hot even though they are dark in color. Interior surfaces of an oven become hot enough to cause burns. During and after use, do not touch, or let clothing or other flammable materials contact heating elements or interior surfaces of oven until they have had sufficient time to cool. Other surfaces of the appliance may become hot enough to cause burns – among these surfaces are (identification of surfaces – for example, oven vent openings and surfaces near these openings, oven doors, and windows of oven doors).
- Care must be taken to prevent aluminum foil and meat probes from contacting the heater elements.



## WARNING:

### **Never Operate the Top Surface Cooking Section of this Appliance Unattended**

- Failure to follow this warning statement could result in fire, explosion, or burn hazard that could cause property damage, personal injury, or death.
- If a fire should occur, keep away from the appliance and immediately call your fire department.

**DO NOT ATTEMPT TO EXIT AN OIL / GREASE FIRE WITH WATER.**

# IMPORTANT INSTRUCTION

## All Appliances:

CAUTION: Do Not Leave Children Alone - Children should not be left alone or unattended in area where appliance is in use. They should never be allowed to sit or stand on any part of the appliance. Do not store items of interest to children above or at the back of this appliance, as they could climb on the appliance to reach items and be injured.

Wear Proper Apparel - Loose-fitting or hanging garments should never be worn while using the appliance.

User Servicing - Do not repair or replace any part of the appliance unless specifically recommended in the manual.

All other servicing should be referred to a qualified technician.

Storage in or on Appliance – Flammable materials should not be stored in an oven or near surface units.

Do Not Use Water on Grease Fires - Smother fire or flame or use dry chemical or foam type extinguisher .

Use Only Dry Potholders - Moist or damp potholders on hot surfaces may result in burns from steam. Do not let potholder touch hot heating elements. Do not use a towel or other bulky cloth.

When using this appliance, do not touch grates, burner caps, burner bases or any other parts in proximity to the flame. These components may be hot enough to cause burns. Never leave this appliance unattended when in use. Boilovers and greasy spills may smoke or ignite Do not heat unopened food containers, such as baby food jars and cans. Pressure build-up may cause the container to burst and cause injury. Before performing service, shut off gas by closing the gas shut-off valve and shut off electricity to this appliance For safety when cooking, set burner controls so flame does not extend beyond the bottom of pan.

- Wear proper apparel. Loose-fitting or hanging garments should never be worn while using this appliance.
- Use extreme caution when moving a grease kettle or disposing of hot grease.
- Clean only those parts listed in this guide.
- Do not repair or replace any part of this appliance unless specifically recommended in literature accompanying this appliance.
- Do not obstruct the flow of air to ensure proper combustion and ventilation.
- **IMPORTANT:** Do not install a ventilation system that blows air downward toward this gas cooking appliance. This type of ventilation system may cause ignition and combustion problems with this gas cooking appliance resulting in personal injury or unintended operation.
- Proper Installation – Be sure your appliance is properly installed and grounded by a qualified technician.
- Never Use Your Appliance for Warming or Heating the Room.

## Ovens:

1. Use Care When Opening Door - Let hot air or steam escape before removing or replacing food.
2. Do Not Unopened Food Containers - Build up of pressure may cause container to burst and results in injury.
3. Keep Oven Vent Ducts Unobstructed.
4. Placement Of Oven Racks - Always place oven racks in desired location while oven is cool. If rack must be moved while oven is hot, do not let potholder contact hot heating element in oven.
5. Do Not Leave Children Alone – Children should not be left alone or unattended in area where appliance is in use. They should never be allowed to sit or stand on any part of the appliance.
6. Wear Proper Apparel – Loose-fitting or hanging garments should never be worn while using the appliance.

# INDUCTION APPLIANCE

- Use Proper Pan Size – This appliance is equipped with one or more surface units of different size. Select utensil shaving flat bottoms large enough to cover the surface unit heating element. Proper ratio of utensil to cooking zone will also improve efficiency.
- Protective Liners – Do not use aluminum foil to line oven bottom, installation of these liners may result in a risk of electric shock, or fire.
- Avoid spilling water or other liquids onto the Induction Cooker, and never immerse the unit in water.
- Do not touch the Ceramic Plate immediately after cooking - it may be hot from residual heat from the utensil.
- Do not place or store very heavy objects on the ceramic plate.
- The heating area is warmed up from the heat of the pan. To avoid injuries (burning) do not touch the heating area.
- Do not insert any piece of paper, cardboard, cloth, etc. Between the pan and the heating area, as this might initiate a fire.
- As metallic objects are heated up very quickly when placed on the operating heating area, do not place any other objects (closed cans, aluminium foil, cutlery, jewelry, watches etc.) on the induction cooker.
- Aluminium foil and plastic vessels are not to be placed on the hot surface.
- The surface must not be used for storage.
- Do not place credit cards, phone cards, cassette tapes, or other objects that are sensitive to magnetism on the ceran plate.
- Do not use pans with an uneven bottom. This might cause internal damage.
- If the supply cord is damaged, it must be replaced by the manufacturer, its service agent or a similarly qualified person in order to avoid a hazard.
- Do Not Cook on Broken Cook-Top- If cook-top should break, cleaning solutions and spillovers may penetrate the broken cook-top and create a risk of electric shock. Contact a qualified technician immediately.
- Clean cook-top with caution — if a wet sponge or cloth is used to wipe spills on a hot cooking area, be careful to avoid steam burn. Some cleaners can produce noxious fumes if applied to a hot surface.
- Do not place metallic objects such as knives, forks, spoons, and lids on the cooktop surface since they can get hot

# INSTALLATION INSTRUCTIONS

This appliance shall only be installed by an authorized person. This appliance shall be installed in accordance with the manufactures installation instructions, **IMPORTANT:** this appliance must be installed in accordance with the norms in force of the country concerned.

The installation of this appliance must conform to local codes and ordinances. In the absence of local codes. Installations must conforms to American National Standards, National Fuel Gas Code ANSI Z223.1-NFPA54.

If local codes permit, a flexible metal appliance connection with the new AGA or CGA certified design, max. 5 feet (1,5m) long, 1/2" I.D. recommended for connecting this cooktop to the gas supply line. Do not bend or damage the fl exible connector when moving the cooktop. The pressure regulator has 1/2" female pipe thread. You will need to determine the fi tting required, depending on the size of your gas supply line, the fl exible metal connector and the shutoff valve.

The appliance , when installed, must be electrically grounded in accordance with local codes or, in absence of local codes, with the National Electrical Code, ANSI/NFPA 70, CSA C22.1-02.

The appliance and its individual shut off valve must be disconnected from the gas supply piping system during any pressure testing of that system at test pressure in excess of 1/2psi (3,5kPa).

The appliance must be isolated from the gas supply piping system by closing its individual manual shutoff valve during any pressure testing of the gas supply piping system at test pressure equal to or less than 1/2psi (3,5kPa).

For use with a pressure regulator. The regulator supplied must be used with this appliance; it shall be properly installed in order to be accessible when appliance is installed in definitive position.

The gas appliance pressure regulator must be set for the gas with which the appliance is used.

This appliance can be used with Natural gas and Propane. It is shipped from the factory adjusted for use with Natural gas: **CONVERSION FIXED ORIFICES ARE LOCATED IN THE LITERATURE PACK SUPPLIED WITH THE UNIT.**

Injectors kit for the change of type of gas are contained inside the package jointly with the hob installation kit and Instruction booklet. The maximum inlet gas supply pressure incoming to the gas appliance pressure regulator is 14" water column (5kPa). The minimum gas supply pressure for checking the regulator setting shall be at least 1"w.c.(249Pa) above the inlet specifi ed manifold pressure to the appliance (this operating pressure is 5"w.c. for Natural Gas and 10"w.c. for Propane.All opening and holes in the wall and fl oor, back and under the appliance shall be sealed before installation of the appliance.

*ATTENTION: A manual valve shall be installed in an accessible location in the gas line external to the appliance for the purpose of turning on or shutting off gas to the appliance.*

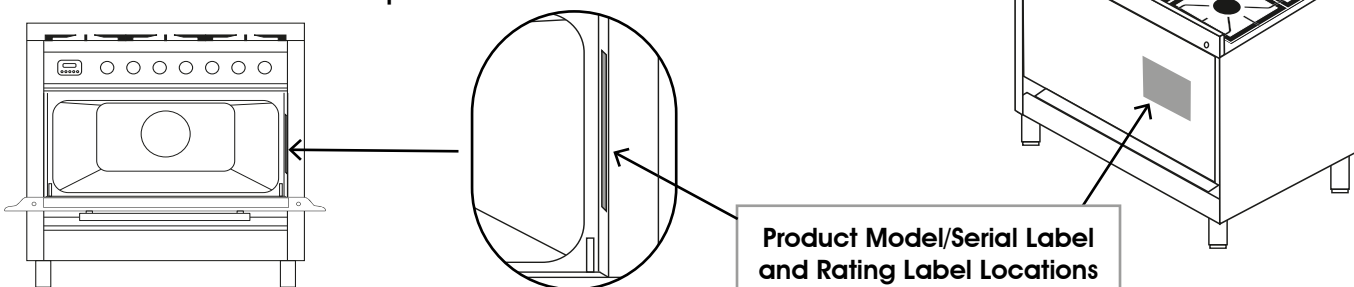
*WARNING: Do not use aerosol sprays in the vicinity of this appliance while it is in operation.*

*The appliances should not be installed with a ventilation system that blows air downward toward the range.*

**WARNING:** Before removing the appliance disconnect the electric power supply cable and close the relevant shut off valve. Make sure that the electric power supply cable is not damaged during cleaning/maintenance operations. When repositioning the appliance make sure that the anti-tip device is correctly fitted again as before removal.

**NOTE 1:** possible risks may result from abnormal usage, including excessive loading of the oven door.

**NOTE 2:** reinstall the appliance in accordance with the manufacturer's instructions to avoid the risk of tip-over





# INSTALLATION

## Instruction for base feet assembly

1

Legs are packed in carton box. Legs should be installed near to where the appliance is to be used, as they are not secure for long transit. After unpacking the range, raise it about a foot to remove the bottom shipping skid. Keep the unit raised to permit legs to be screwed into our couplings and lower it gently to keep any undue strain from the legs and internal mounting hardware. It is strongly recommended that a pallet or lift jack be used rather than tilting.

### PROFESSIONAL



- 1) Screw partially bolt (F) into the base feet (G).
- 2) Insert base feet (G) into the hole (Ha), move to the hole (Hb) and screw completely bolt (F).

# PRESSURE GAS REGULATOR INSTALLATION INSTRUCTION

Pressure gas regulator is supplied with the appliance. It is stored in the oven.

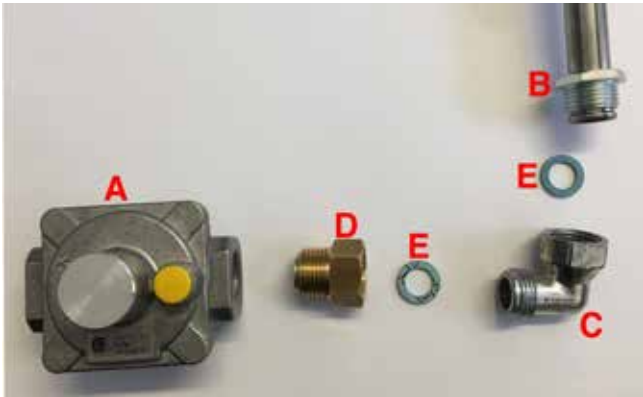


Fig.1

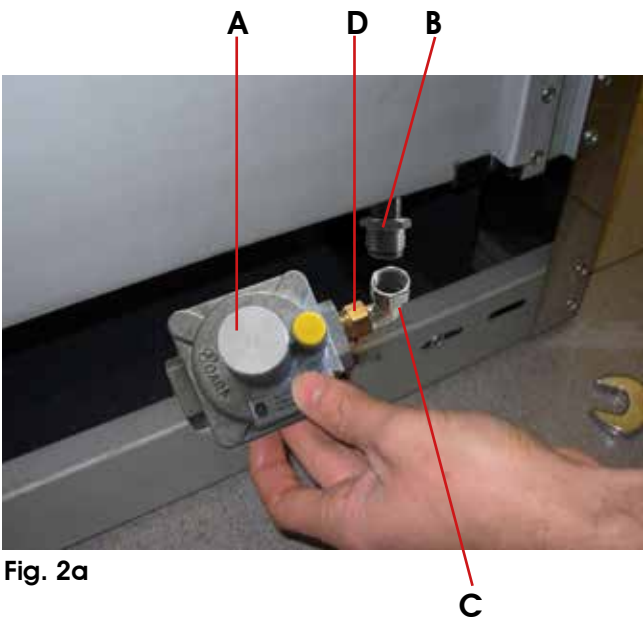


Fig. 2a

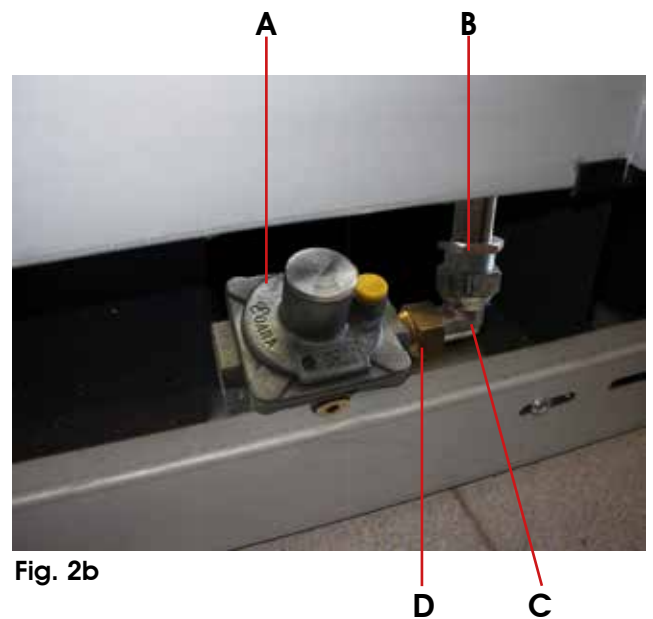


Fig. 2b

- As show in fig. 2a, unscrew "B" part from "C" part.
- Screw "C" part into "D" part. Please use a proper gasket for this connection.
- Screw "D" part into "A" part.
- As show in fig.2b, screw "A"+"D"+"C" part into "B" part.

**NOTE:** For connection "B"+"C"+"D" PART USE "E" GASKET

# BACKGUARD INSTALLATION INSTRUCTION

Please follow the following installation instructions in sequence:

- Place the backguard and fasten it with the two screws as shown in figure.
- Please refer to a qualified installer in case the enclosed hardware cannot be utilized.

Two bottom screw fix backguard

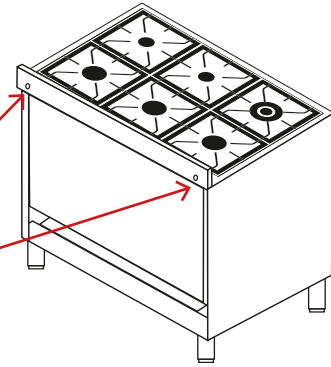


Fig. 3

## HOW TO INSTALL THE ANTI-TIP BRACKET

- Unpack the cooker and mount the feet and adjust the height.
- Measure the height from the floor to the top edge of the back-cross bar (Fig. 4) and add 15mm.

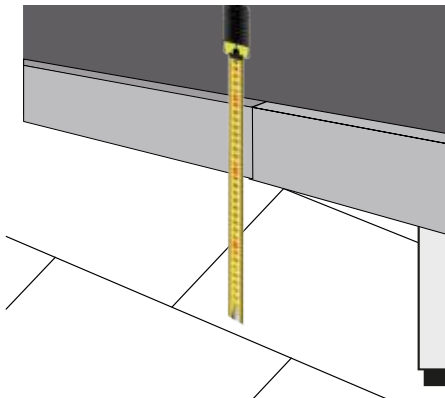


Fig. 4

- Mark the total height on the rear wall at the centre of the cooker width. Make two holes and install the fixing bracket.

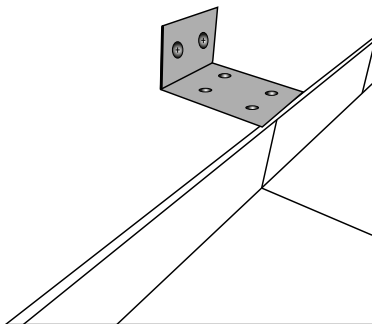


Fig. 4a

OPTION 1: wall mounted bracket  
ATTENTION: check that the cooker is leaning against the rear wall to avoid tipping.



### WARNING

- A child or adult can tip the range and be killed. Install the anti-tip device to the structure and/or the range ( see pictures for details) Engage the range to the anti-tip device as explained in the pictures. Re-engage the anti-tip device if the range is moved. See pictures for details. Failure to do so can result in death or serious burns to children or adults.

- Adjust the height of the fixing brackets based on the measurement made as explained above. Fix them to the floor as shown in the picture below.

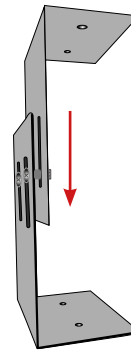


Fig. 4 b

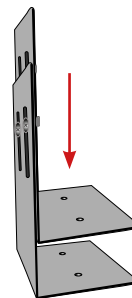
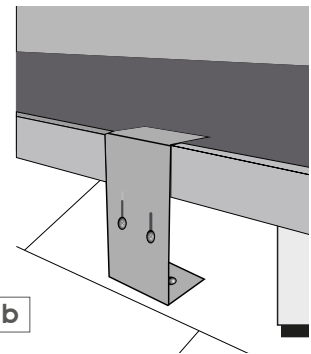
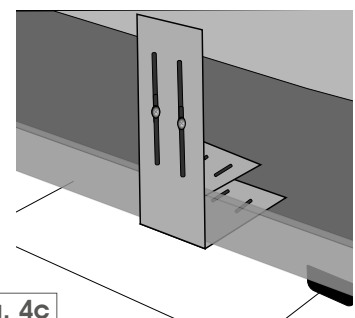


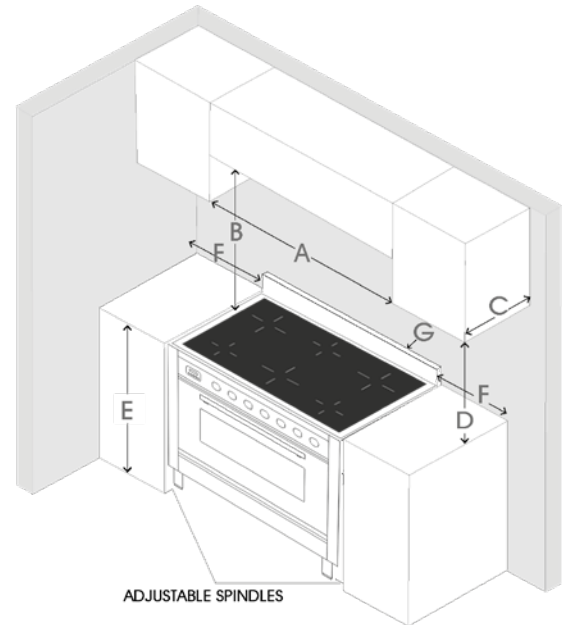
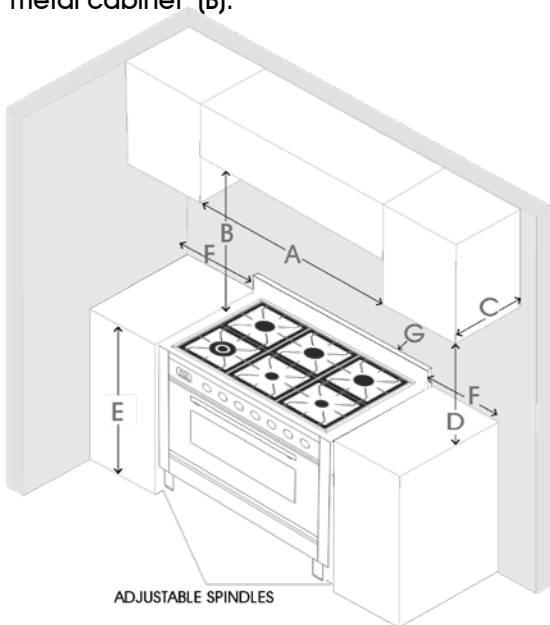
Fig. 4c



OPTION 2: floor mounted bracket  
ATTENTION: in this case 2 brackets are needed

# MINIMUM SPACING FROM COMBUSTIBLE CONSTRUCTION

1. This range shall be installed directly adjacent to existing [ $33^{15/32}$ " -  $36^{20/32}$ "] high base cabinets. **IMPORTANT:** The top border of the worktop should be at the same level of the adjacent cabinets counter top. This may be accomplished by raising using the adjustable spindles on the legs.
2. The range **CANNOT** be installed directly adjacent to sidewall, as cabinets, appliances, or other side vertical surface above  $36^{20/32}$ " high. There must be a minimum of 5" side clearance.
3. Within the side clearance to combustible vertical surfaces above  $36^{20/32}$ ", the maximum wall cabinet depth must be 13" and wall cabinets within this side clearance within this side clearance must be 18" above the  $36$ " high countertop.
4. Distance A cannot be less than width of the appliance.
5. Distance G this range shall be installed directly adjacent to back wall ( zero clearance).
6. 36" minimum clearance between the top of the cooking surface and the bottom of an unprotected wood or metal cabinet (B).



**TABLE 1**

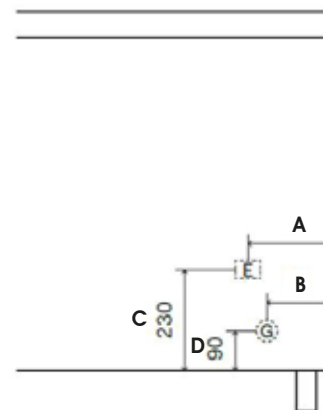
<b>A</b>	$\geq [35^{7/8}$ " - $47^{7/8}$ "]
<b>B</b>	36" (91,5cm)
<b>C</b>	13" (33cm)
<b>D</b>	18" (45,7cm)
<b>E</b>	36" (91,5cm)
<b>F</b>	5" (12,7cm)

**CAUTION**  
Burn hazard

To avoid risk of personal injury; the use of cabinets for storage above the appliance may result in a potential burn hazard. Combustible items may ignite, metallic items may become hot and cause burns. If a cabinet storage is to be provided the risk can be reduced by installing a range hood that projects horizontally a minimum 5" (12.7 cm) beyond the bottom of cabinets. 390mm=  $152^{3/64}$ in

ELECTRICAL AND GAS CONNECTION

Mod. / mm	A	B	C (230)	D (90)
UP30	$5^{3/64}$	$26^{27/64}$	$7^{3/32}$	$4^{49/64}$
UP36	$7^{23/64}$	$6^{31/32}$	$6^{47/64}$	$4^{13/32}$
UPD36	$4^{9/16}$	$4^{1/16}$	$6^{47/64}$	$4^{13/32}$
UP361	$7^{23/64}$	$6^{21/32}$	$6^{47/64}$	$4^{13/32}$
UPD40	$4^{3/8}$	$3^{55/64}$	$6^{47/64}$	$4^{13/32}$
UP48	$5^{43/64}$	$5^{5/32}$	$6^{47/64}$	$4^{13/32}$
UP60	$7^{9/16}$	$6^{27/32}$	$6^{47/64}$	$4^{13/32}$



# ELECTRICAL CONNECTION

The appliance shall be connected to a single phase electric line rated at 120/240Vac and 60Hz frequency.

The appliance is equipped at the factory with a flexible hose . Inside the flexible hose you have 4 cables: green cable must be connected to the ground, white cable (NEUTRAL), red and black cables: supply wire (F – F1). Check the electrical sketch available at the end in our instructions booklet. Electric power absorption values for each model are shown in the Electrical and Gas Power Table enclosed.

Before connecting the appliance to the electric network, follow the instructions below:

1. fuse and electric supply installation of your home must bear the load of the appliance (see registration label).
2. The power supply system must have an efficient earth connection.
3. The outlet or multiple-switch, with a minimum 1/8" (3mm) contact opening, has to be easily reached once the appliance has been installed.

## INDUCTION APPLIANCE ELECTRICAL CONNECTION

The connection of the electrical supply must be done by approved installation contractors in accordance with specific National and Local installation standards in conformity with all safety regulations. The warning signs and rating plates on the appliances must strictly be followed.

This unit is manufactured for a polarized, grounded 120/240 volt 60Hz (2 phases 6 AWG, 1 neutral 8 AWG, 1 ground 8 AWG 0with plug, see Fig. A). Check and ensure that the supply voltage and the line current matches the specifications given on the rating plate.

Before connecting the appliance to the electric network, follow the instructions below:

- fuse and electric feeding installation of your home must support the load of the appliance (see registration label);
- power supply system must be properly grounded;
- the outlet or multiple-switch, with 1"3/8 inch diameter connection opening, has to be easily reached once the appliance has been installed;
- the power supply cable should not reach a 120°F temperature.



Fig. A



**WARNING**

If the voltage is wrong, the cooker can be damaged.



**WARNING**

Dangerous electric voltage inside! DO NOT OPEN induction unit.

### **WARNING**

#### **Electrical Grounding Instructions**

**This appliance is equipped with a (four-prong) grounding plug for your protection against shock hazard and should be plugged directly into a properly grounded receptacle. Do not cut or remove the grounding prong from this plug.**

The appliance is supplied without prong: you need a normal one suited for the electric load.  
The power supply cable should not reach a 120°F temperature above the ambient.

## GAS CONNECTION

All gas connections must be made according to national and local codes. This gas supply (service) line must be the same size or greater than the inlet line of the appliance. This range uses a ½”NPT inlet. Sealant on all pipe joints must be resistant to Propane.

1. Manual Shut-off Valve: This installer-supplied valve must be installed in the gas service line ahead of the appliance in the gas stream and in a position where it can be reached quickly in the event of an emergency. The manual shut-off valve shall be installed properly in order to be accessible when appliance is installed in its final position. In Massachusetts: A 'T' handle type manual gas valve must be installed in the gas supply line to this appliance.
  
2. Pressure Regulator
  1. All heavy duty, commercial type cooking equipment must have a pressure regulator on the incoming service line for safe and efficient operation, since service pressure may fluctuate with local demand. The pressure regulator is supplied separately with the appliance; regulator has two female threads ½” NPT ; it shall be installed properly in order to be accessible when appliance is installed in its final position position.
  2. This range can be used with Natural or Propane gas. It is shipped from the factory adjusted for use with natural gas. The orifice hoods must be screwed snug when Propane gas is used(see Propane conversion).
  3. The appliance, its individual shut-off valve, and pressure regulator must be disconnected from the gas supply piping system during any pressure testing of that system at pressure in excess of 1/2psig(3.45kPa).
  4. The appliance must be isolated from the gas supply piping system by closing its individual manual shut-off valve during any pressure testing of gas supply piping system at test pressures equal to or less than 1/2psig(3.45kPa).
  
3. Flexible Connections:
  1. If the unit is to be installed with flexible couplings and/or quick disconnect fittings, the installer must use heavy duty, AGA design-certified commercial flexible connector of at least ½”(1.3cm)ID NPT(with suitable strain relieves) in compliance with ANSI Z21.41 and Z21.69 standards.
  2. In Massachusetts: The unit must be installed with a 36” (3-foot) long flexible gas connector.
  3. In Canada: CAN 1-6.10-88 metal connectors for gas appliances and CAN 1-6.9M79 quick disconnect device for use with gas fuel.

**CAUTION: Leak testing of the device should be performed in accordance with the manufacturer's instructions. Before turning on the oven, always check for leaks with a soapy water solution of another acceptable method. DO NOT USE AN OPEN FLAME TO CHECK FOR LEAKS!**

# PERFORMANCE CHECKLIST

All burners are tested before leaving the factory. There are no adjustments for the burners if connected according to the information on the rating plate. Check each burner for proper operations. Flames should be blue in all settings. If service is required, contact your dealer for the name of their authorized service agency. Gas conversions and initial installation are not responsibility of the manufacturer.:

The installer should carry out the following performance checks. Refer to instructions below.

1. Check surface burner ignition.
2. Check low flame adjustment
3. Check for gas leaks (odors) at all gas connections.

## REQUIREMENTS

Room ventilation – Location and venting.

**ATTENTION:** A exhaust fan may be used with the appliance; in each case it shall be installed in conformity with the national standards in force.

**ATTENTION:** Exhaust hood operation may affect other vented appliances; in each case it shall be installed in conformity with the national standards in force.

## CONVERSION TO DIFFERENT TYPES OF GAS

Any conversion required must be performed by your dealer or a qualified licensed plumber or gas service company.

Please provide the service person with this manual before work is started on the range.(Gas conversions are the responsibility of the dealer or end user.)

---

## CAUTION

Before proceeding with the conversion, shut off the gas supply to the appliance prior to disconnecting the electrical power.

---

The appliance is supplied for use with a certain type of gas; if this has to be varied, you must change the burner injectors, adjust the minimum gas flow.

Before carrying out these operations you must disconnect the electric power supply of the cooker to avoid accidental contacts.

Before carrying out any maintenance work, disconnect the appliance from the gas and electric supply.

---

# ADJUSTMENT OF THE PRESSURE REGULATOR FOR USE WITH DIFFERENT TYPE OF GAS

The pressure regulator supplied with the appliance is a convertible type pressure regulator for use with Natural Gas at a nominal outlet pressure of 5" w.c. or Propane at a nominal outlet pressure of 10" w.c. and it is pre-arranged from the factory to operate with one of these gas/pressure as indicated in the pre-arranging labels affixed on the appliance, package and Instruction booklet.

If Natural gas is converted to Propane, also the by-pass orifice has to be changed. The regulating screw of the by-pass orifice must be fully screwed in.

To convert the regulator (Fig.6 and Fig.7) for use with the other gas (different from the one for which it is pre-arranged) it is enough perform the following operations:

1. Unscrew by hand the upper metal stopper of the regulator.
2. Unscrew by hand the white plastic piece screwed under the above mentioned metal stopper, afterward screw it again in opposite way under the metal stopper (for gas reference see the written "Propane" and "NAT" with relative indicating arrows on the white piece).
3. Screw again by hand the metal stopper in the original position on the regulator. Operating in this way the gas regulator is converted for use with the other gas/pressure

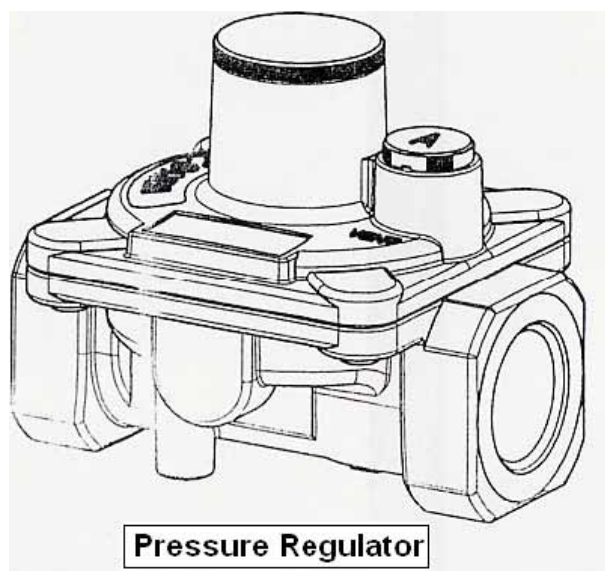


Fig. 6 Pressure regulator

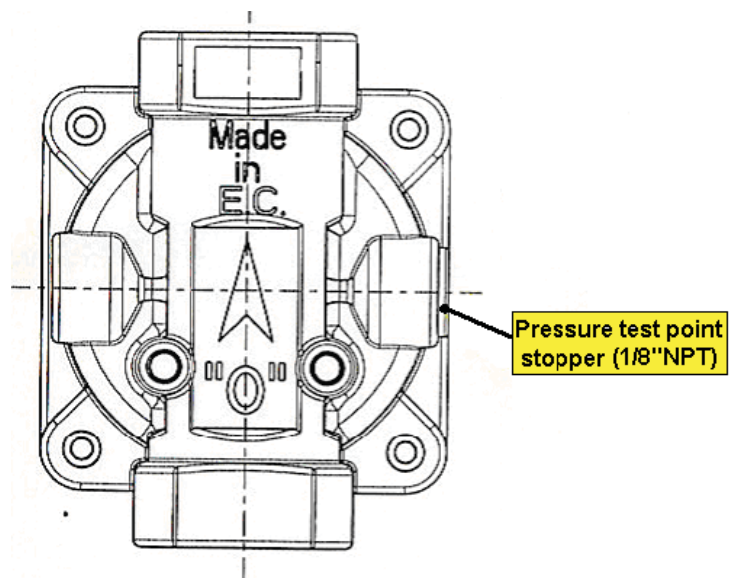


Fig. 7 Pressure regulator; pressure test-point stopper is pointed out

See the table below for gas supply pressure requirements.

Gas Supply Specifications			
Gas Type	Manifold Pressure (WC)	Min. Gas Supply Pressure (WC)	Max. Input Pressure
Natural	5	6	1/2 psi
Propane	10	11	1/2 psi

If the line pressure is in excess of that amount, a step down regulator will be required. The appliance must be disconnected from the GAS supply piping system during any pressure testing of that system.



# CHANGING THE INJECTORS

TABLE 2

BURNER	GAS	INPUT RATE [Btu/h]	ORIFICE SIZE (1/100) mm	SIMMER RATE [Btu/h]	BY-PASS ORIFICE SIZE (1/100) mm
SR	NATURAL (A)	7000	120	1400	Adj.*
R	NATURAL (A)	10500	145	2000	Adj.*
DCC	NATURAL (A)	16500	190	6200	Adj.*
DUAL	NATURAL (A)	25000	75+220	6000	Adj.*
DUAL (only AUX)	NATURAL (A)	2800	75	900	Adj.*
P	NATURAL (A)	10500	145	3100	Adj.*
CDF	NATURAL (A)	5500	110	/	/
.....					
SR	PROPANE (E)	7000	75	1400	32
R	PROPANE (E)	10500	90	2000	40
DCC	PROPANE (E)	16500	117	6200	75
DUAL	PROPANE (E)	25000	44+135	6000	27+60
DUAL (only AUX)	PROPANE (E)	2800	44	900	27
P	PROPANE (E)	10500	92	3100	52
CDF	PROPANE (E)	5500	65	/	/

The kit for the gas conversion of the burners is relevant to the model of the appliance indicated on the label sticking to the first page of this booklet.

The kit contains the number and type of orifices necessary for the conversion and a label to stick onto the old one to show the new setting ( see table 2)

The appliance is pre-adjusted in factory for the gas indicated on the label put on the gas inlet pipe. For the conversion to another gas refer to table 3 at page 16.

The positions, types of burner and relevant orifices for the models included in this booklet are depicted in table 3 at page 16.













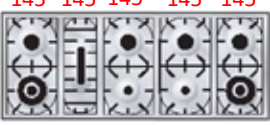
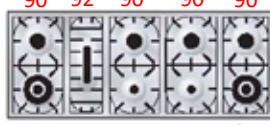
The only operation to perform after conversion to a gas different from that shown on the rating plate/label is the adjustment of the minimum gas flow ( see page 18 of this booklet). After conversion remember to put the new gas indication label ( supplied in the conversion kit) as close as possible to the existing rating plate , then check the regular ignition of the burners ( see page 24, "Lighting the burners").

If the appliance is installed at an altitude exceeding 2,000 ft, a new set of orifices can be requested from the supplier or an authorised service parts distributor.

NOTE: Due to the lower atmospheric pressure at higher altitudes, foods tend to take longer to cook. Therefore, recipe adjustments should be made in some cases. In general, no recipe adjustment is necessary for yeast-risen baked goods, although allowing the dough or batter to rise twice before the final pan rising develops a better flavor. Try making the adjustments below for successful recipes. Take note of the changes that work best and mark your recipes accordingly. You may also consult a cookbook on highaltitude cooking for specific recommendations.

# CONVERSION KIT INSTALLATION INSTRUCTIONS

TABLE 3

CODE	NATURAL GAS	PROPANE GAS
<p>UP30(W/N/Q)(MP/S3) UN30(W/Q/N/QN)(MP/S3) UT30(W)(S3)</p>	<p>120 145</p>  <p>145 220+75 120</p>	<p>75 90</p>  <p>90 135+44 75</p>
<p>UP36(6/F)(W/N/Q)(MP/S3) UN36(6/F)(W/Q/N/QN)(MP/S3) UT36(6/F)(W)(S3) UP361(6/F)(W/N/Q)(MP/S3) UN361(6/F)(W/Q/N/QN)(MP/S3) UT361(6/F)(W)(S3) UPD36(6/F)(W/N/Q)(MP/S3) UND36(6/F)(W/Q/N/QN)(MP/S3) UTD36(6/F)(W)(S3) UPD40(6/F)(W/N/Q)(MP/S3) UND40(6/F)(W/Q/N/QN)(MP/S3) UTD40(6/F)(W)(S3)</p>	<p>145 145 145</p>  <p>220+75 120 220+75</p>	<p>90 90 90</p>  <p>135+44 75 135+44</p>
<p>UPD40(S)(W/N/Q)(MP/S3) UND40(S)(W/Q/N/QN)(MP/S3) UTD40(S)(W)(S3)</p>	<p>145 145 110</p>  <p>220+75 120</p>	<p>90 90 65</p>  <p>135+44 75</p>
<p>UP48(S)(W/N/Q)(MP/S3) UN48(S)(W/Q/N/QN)(MP/S3) UT48(S)(W)(S3)</p>	<p>145 145 145 110</p>  <p>220+75 120</p>	<p>90 92 90 65</p>  <p>135+44 75</p>
<p>UP48(8/F)(W/N/Q)(MP/S3) UN48(8/F)(W/Q/N/QN)(MP/S3) UT48(8/F)(W)(S3)</p>	<p>145 145 145 145</p>  <p>220+75 120 120 220+75</p>	<p>90 90 90 90</p>  <p>135+44 75 75 135+44</p>
<p>UP60(S/FS)(W/N/Q)(MP/S3) UN60(S/FS)(W/Q/N/QN)(MP/S3) UT60(S/FS)(W)(S3)</p>	<p>145 145 145 145</p>  <p>220+75 120 120 110</p>	<p>90 90 90 92</p>  <p>135+44 75 75 65</p>
<p>UP60(9/F)(W/N/Q)(MP/S3) UN60(9/F)(W/Q/N/QN)(MP/S3) UT60(9/F)(W)(S3)</p>	<p>145 145 145 145 145</p>  <p>220+75 120 120 220+75</p>	<p>90 92 90 90 90</p>  <p>135+44 75 75 135+44</p>

## CONVERSION KIT INSTALLATION INSTRUCTIONS



**WARNING:** save the orifices removed from the appliance for future use

**NOTE:** To go back to the original set replace old orifices as shown



**WARNING:**

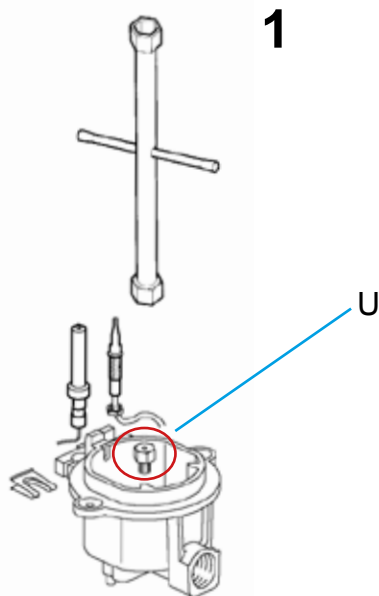
This conversion kit shall be installed by a qualified service agency in accordance with the manufacturer's instructions and all applicable codes and requirements of the authority having jurisdiction. If the information in these instructions is not followed exactly, a fire, explosion or production of carbon monoxide may result causing property damage, personal injury or loss of life. The qualified service agency is responsible for the proper installation of this kit. The installation is not proper and complete until the operation of the converted appliance is checked as specified in the manufacturer's instructions supplied with the kit.

# BURNERS OF THE TOP

## - Replacement of the injectors

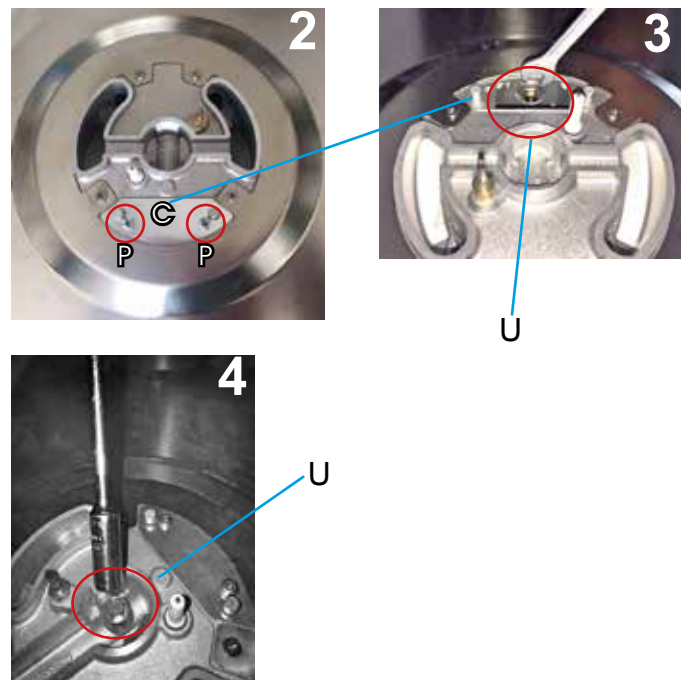
### Procedure: SR - R

- Remove the grill and the burners from the hob.
- Burners SR – R:  
unscrew injectors "U" using a 7 mm spanner (fig. 1) and replace them with those for the new gas according to table number 2 on page 18. Save the orifices removed from the appliance for future use.



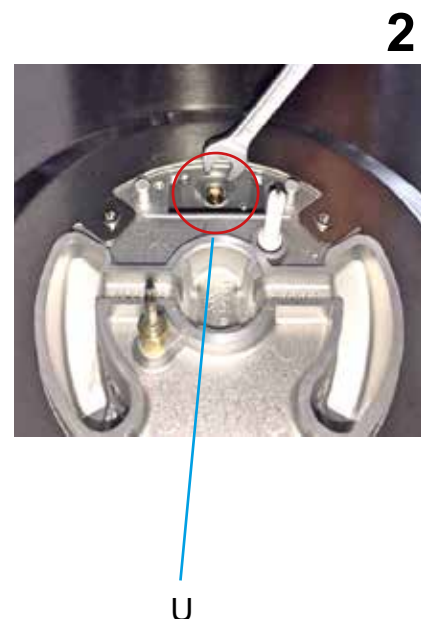
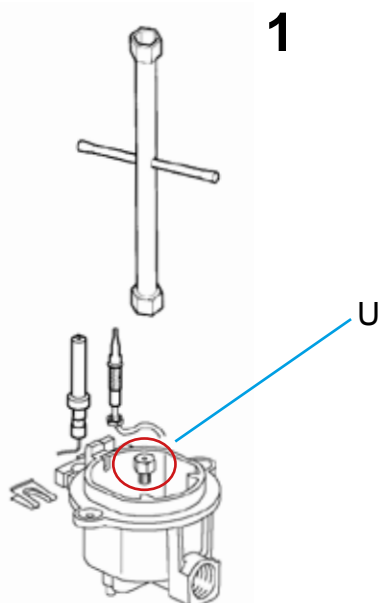
### Procedure: DCC

- DCC – Dual burners: unscrew the 2 screws "P" and remove cover "C" fig.2.
- unscrew injectors "U" using a 7 mm spanner (fig.3, fig.4) and replace them with those for the new gas according to table number 2 on page 18. Save the orifices removed from the appliance for future use.



### Procedure: DUAL

- Remove the grill and the burners from the hob.
- Unscrew injectors "U" using a 7-mm spanner (fig. 8, fig 10) and replace them with those for the new gas according to table number 2 on page 18. Save the orifices removed from the appliance for future use.



## ADJUSTING THE MINIMUM GAS FLOW

When installing the cooker you must check that the minimum gas flow of the burners on is correctly regulated. If the type of gas is changed it is indispensable to adjust the minimum flow. The regulating procedure is as follows.

### A) Burners on the hob (fig. 13)

1. Light one burner at a time and turn the flame up to maximum.
2. Remove the knob of the corresponding gas tap and insert screwdriver in the screw as shown in figure 14a or 14b (DUAL).
3. Turn the tap to minimum position.
4. Unscrew, turning to the left, to increase the flame, or screw to the right to decrease it.
5. If a liquid gas is used (Butane - Propane), the regulating screw must be fully screwed in.

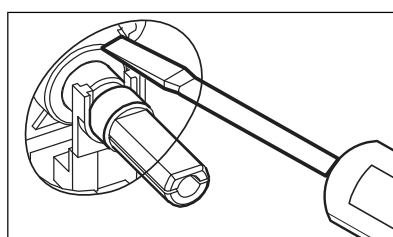


Figure 13

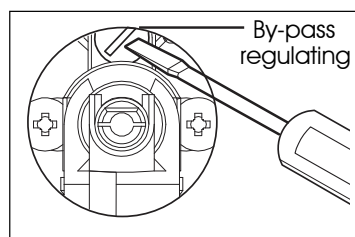


Figure 14a

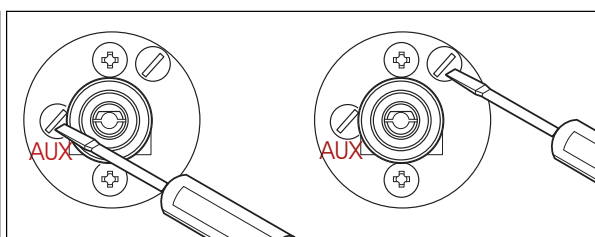


Figure 14b (DUAL)

## SERVICE & MAINTENANCE INSTRUCTIONS

### Replacement Parts.

Authorized replacement parts may be used in performing service on the appliance. Replacement parts are available from factory authorized part distributors.

### Service and maintenance only to be carried out by an authorised person.

To replace parts such burners, valves and electric components, the hotplate must be removed from the bench top by releasing the attachment hooks, loosening the attachment screws of each burner, unscrewing the hotplate attachments nuts which are visible at the bottom of the surface, removing the hotplate top and finally replacing the defective parts.

**Note 1:** if the valves must be replaced, first disassemble the ignitions switches wires.

It is recommended to replace the valve gaskets each time the valve is replaced.

**Note 2:** if the main gas pipe needs replacement, make sure it has the correct welded metal supports for assembly.

**WARNING:** after first installation of the appliance, after gas conversion kit installation or after any service intervention concerning main gas parts of the appliance, make the leak test using water with soap on the gas connections in order to verify the correct installation. Do not use fire for gas leak testing. The test is valid if there is no bubble or foam build-up during a period of one minute.

### NON WORKING APPLIANCES

Before calling the After Sales Service, check that the appliance is connected or that the main switch is activated. After, call the After Sales Service. The faults must be checked by an experienced technician.

**Remark:** the appliance is equipped with a safety thermostat, adjusted at a certain temperature. In case it reaches a higher temperature, the appliance switches off

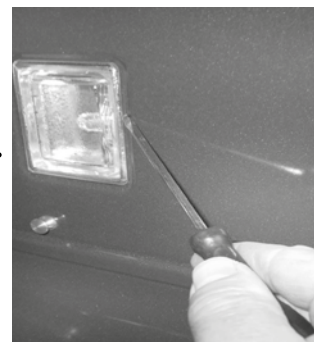
# CLEANING AND MAINTENANCE – Replacing the bulb

## Procedure to follow

Should the oven light not work, disconnect the appliance from the mains, remove the lamp protection glass and replace the bulb. The new bulb must, naturally, be suitable for use at high temperatures and has the characteristics for such use.

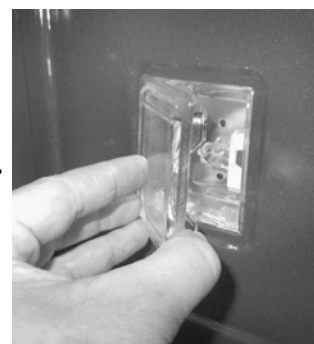
1

Losen whit a flathead screwdriver



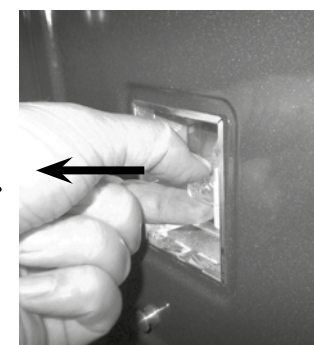
2

Remove the glass cover



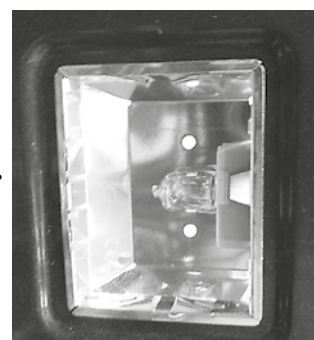
3

Pull out the light



4

Replace and close again



# CLEANING AND MAINTENANCE – Door removal

## Procedure to follow

For ease of intensive cleaning it is practical to dismantle the door following these instructions:

- open the door
- move the hook C to the hinge zone D, following the steps

Hook C

Zone D

1



2



3



4



# CLEANING AND MAINTENANCE – Cleaning the door and glasses

## Procedure to follow

The oven door is composed of 3 sheets of plate glass (two in some cases). The plate glass parts may be cleaned using absorbent kitchen paper and an ordinary non-abrasive detergent. Do not use coarse abrasive cleaning materials or sharp metal scrapers to clean the oven's glass doors since they can scratch the surface and cause the glass to shatter.

The inside glass may be removed to facilitate cleaning. To do this it is necessary to dismantle the oven door or, alternatively, to set it in the intermediate click position.

## Sequence for removing the glasses

**ATTENTION!** every procedure must be done with the door removed and placed on an adequate surface in order to not damage the door's facade.

1

Unscrew the 2 screw on/the sides in the upper baton



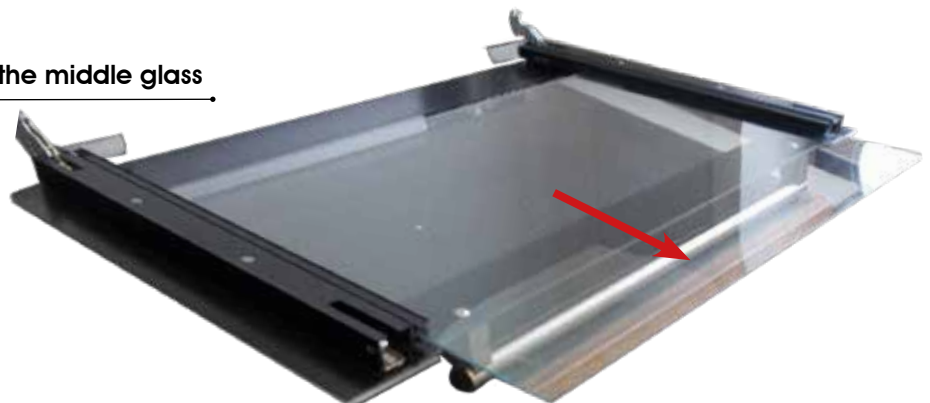
2

Lift the upper glass and pull it out



3

Pull out the middle glass





# CLEANING THE OVEN



**ATTENTION!** Before carrying out any cleaning operations, disconnect the appliance from the mains and close the gas valve. The cooktop must be cleaned after it has been let cooling down.

## OVEN

COMPONENT	CLEANING METHOD	WARNINGS
<b>Oven inside</b>	It is recommended to clean the oven after every use. Dirt is cleaned more easily avoiding to let it burn several times at high temperatures. Remove every removable part and clean it separately with hot water and non-abrasive detergent. The cavity is cleaned with a soft cloth soaked with a solution made of water and ammonia. Rinse and dry.	Do not use vapor cleaner to clean the interior of the oven. Do not use abrasive/corrosive detergents or sharp tools to clean the glass of the door as they could damage and break the surface.
<b>Tray</b>	Immerse in a solution made of water and neutral soap. Dry afterwards.	Remove residual food immediately after use.
<b>Grills</b>	Clean with a NON-acidic detergent.	Acidic substances such as lemon juice or other acidic detergents may permanently damage the enamel of the grills. Carefully dry the grills with a cloth right after the cleansing. It is not recommended to wash them in the washing machine.

# USER MANUAL

**IMPORTANT:** keep children away from the appliance when it operates. The oven door becomes very hot. Safety rules do not always cover any type of accident. The appliance must not be used for heating purposes. If other electric appliances are connected to outlets placed near the appliance, make sure that the connection cables will not be trapped in the oven door while operating.

**GENERAL NOTES:** for safety reasons and to ensure proper functioning of the appliance, any required maintenance must be undertaken by skilled technicians or after sales service in warranty period. Clean the oven regularly after the use. The dirt can be easily removed, in this way it will not burn at high temperatures. Choose heat-resisting pans according to the quantity of food you want to cook. Stainless steel containers are not recommended as they reflect heat. Shelf height should be adjusted as necessary according to the food to be cooked and the recipe.

**FIRST SYSTEM STARTUP:** all removable parts of the oven, should be washed with detergent and then reassembled. Start the oven for about 60 minutes and set the thermostat to 440°F. During this initial heating period some unpleasant smell will be experienced, which is unavoidable and quite normal. When the oven has completely cooled down, clean it referring to the paragraph «Cleaning and care».

**IMPORTANT:** be sure that you have correctly identified the model that you possess (see the data plate). The various operations are described below, one after the other. Not all concern the cooker you have bought, select the ones that do.

Position the flame divider “b” correctly. To do this, align the 4 teeth “c” of the flame divider with the recess “d” of the aluminium Cup “a”.

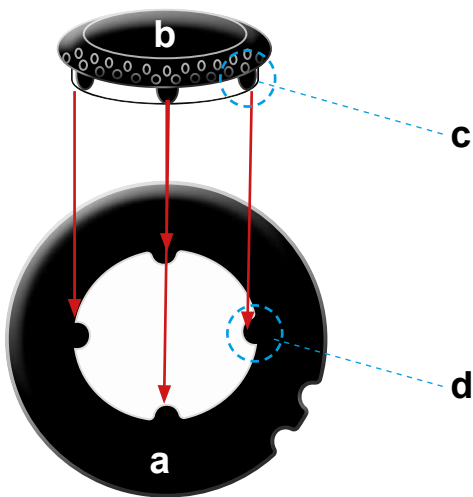


Figure 21

**IMPORTANT:** when you are using the oven for the first time, let it work empty for one hour, leaving possibly the windows of the kitchen open. The oven will emanate bad smells due to production residuals such as greases, oils or resins. After that the oven is ready for the first cooking.

## USE OF THE TURNSPIT (Fig. 23, 24)

Spit the meats to be cooked. Put the spit on the proper base and insert it on the spit motor. Place the collector plate on the lower shelf, ignite the grill, turn on the spit motor.




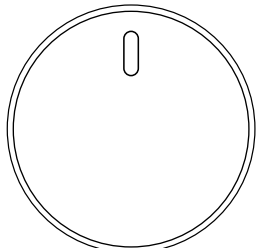
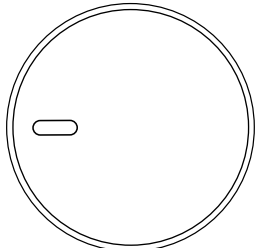
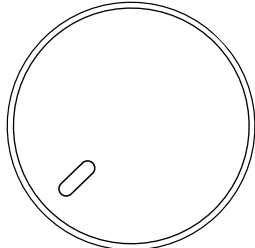



# INSTRUCTIONS FOR USE - First system startup of the hob

## Lighting the burners

The index above the knobs will help you to find the corresponding burner. Press the knob by turning it anti-clockwise and bring it to the ignition position; keep the knob pressed for about 5 seconds so that upon its release the flame remains alight. In case of unsuccessful ignition wait 5 minutes before relighting and repeat the operation. By turning the knob, the outer ring lights up red to indicate the GAS burner in operation

### LEGEND

Symbol			
Function	off	maximum	minimum
Knob			
Index			

Recommended pans according to burner size:




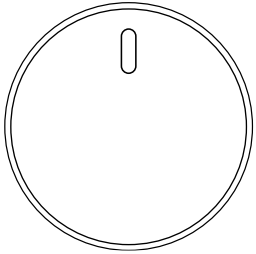
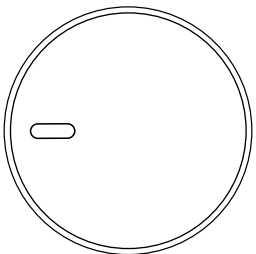
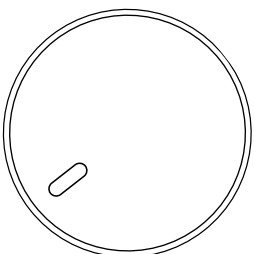


Burners	ID	Diameter Ø (cm)
Burners	SR	10 ÷ 20
Large	R	20 ÷ 24
Ring	TC/DCC	22 ÷ 28
Dual - Ring	DUAL	24 ÷ 30




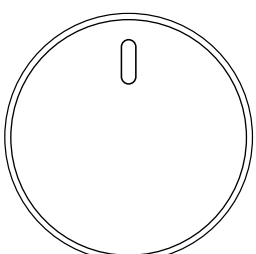
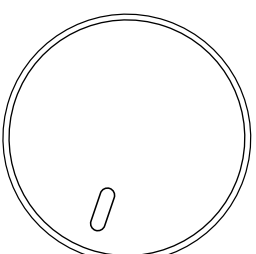
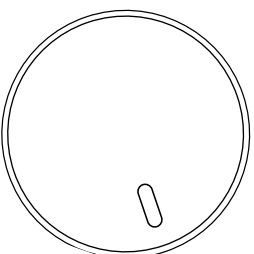
# IGNITION OF THE “DUAL” BURNER

Identify the knob with the help of the index near the knobs. Press and turn the knob to the symbol (maximum) for 5 seconds. Once the burner is on, by turning the knob counterclockwise it gets to its first block that corresponds to the middle one. By applying a bit of force, the first block is overrun and the outer ring goes out leaving only the little central burner (called AUXILIARY) turned on. To adjust the auxiliary burner on minimum, rotate the knob counterclockwise until it stops. At this point, to turn the burner back on, rotate the knob clockwise up to the desired value. By turning the knob, the outer ring lights up red to indicate the GAS burner in operation

## LEGEND DUAL

Symbol			
Function	off	maximum	minimum
			

## LEGEND AUX

Symbol			
Function	off	maximum	minimum
			

Index



# USE OF THE COUP FEU

## COUP FEU

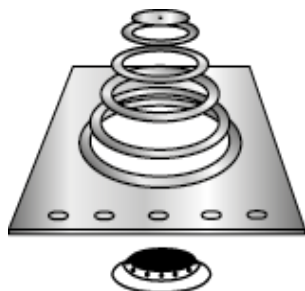


Fig. A

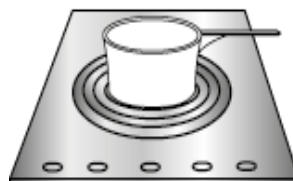


Fig. B



Fig. C

## Functioning

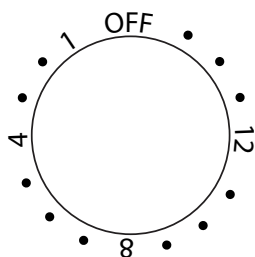


Fig. D

The "Coup feu" solid cast iron plate made of concentric rings allows you to rest the pan (or even several pans) directly on the surface (fig. B, C). It is heated by means of a gas burner (fig. A). The plate is designed to provide a moderately intense heat which is well distributed over the surface.

To use the appliance, light the flame below the plate by means of the corresponding knob Fig.D and ensure that there is a flame.

This is ideal for slow cooking and particularly for sauces, browning and grilling, heating dishes or keeping them warm. Switch the burner on 15/20 minutes before use to allow the cast iron plate to accumulate heat.

You will then be able to use the plate even when switched off for a further 10/15 minutes. The middle of the plate is the area where the highest temperatures are reached whereas the outer part is cooler. By simply moving the pan from the middle to the outside of the plate, you can obtain different cooking intensities without regulating the flame. Pan dimensions permitting, several dishes can be cooked at the same time (fig. C). If necessary it can be used as a handy top, providing ample space for resting pots and pans.

## Cleaning the Coup feu plate

The hotplate should be cleaned while still warm using the products normally used in the kitchen for metal surfaces. Rub with a wire pad, following the direction of the satin finish. Dry well immediately. If you want to give the plate a better appearance, after cleaning, apply a coat of a specialist cleaning paste / cream.

If you do not intend to use the hotplate for long periods, after normal cleaning apply a thin film of liquid paraffin (Vaseline oil) with a wad of cotton wool. This treatment is necessary to prevent any formation of surface oxides.

When next turning on the plate you will notice the evaporation of the paraffin oil used. This phenomenon will disappear in a few seconds.

The hotplate may sometimes present phenomena of surface oxidation due to the presence of humidity, but above all due to lack of use. You are therefore advised to use it frequently to prevent any oxidation. Never leave the hotplate damp. If the oxidation phenomenon still appears, use lightly abrasive paper to remove the oxidation, taking care to rub gently, always in the direction of the plate satin finish.

Do not cook food directly on the plate surface. Always use suitable containers.

# USE OF THE ELECTRONIC PROGRAMMER

## Functions

Cooking duration • end of cooking • clock • timer • manual function

## Display

Symbols relative to the functions in progress:



Timer



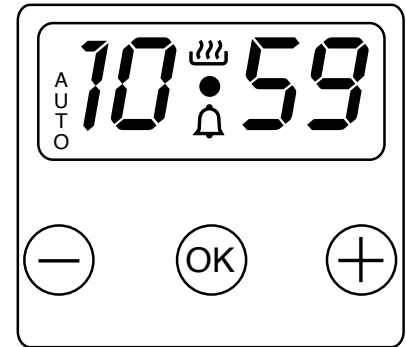
Manual function

A  
U  
T  
O

Automatic programme

End time of automatic cooking

Automatic cooking duration



## Key of buttons



OK button: press this button to set the following functions: timer, cooking duration, cooking end, clock time, volume of the acoustic signal.

[+]/[-]

Press button "+" to increase the time and button "-" to decrease the time at a rate directly proportional to how long you hold the button pressed.

## WARNING

When the oven is first turned on, the symbol **AUTO** and the time 0•00 flash on the display. Simultaneously press the buttons [+]/[-] for 4 seconds to switch to manual mode. By doing so, the oven is ready for operation.

## Function selection

Simultaneously press the buttons [+]/[-] for more than two seconds. The central dot "•" will start flashing on the display. Then, repeatedly press the "OK" button to enter the setting mode of the following functions::

- volume
- timer
- duration of the automatic programme
- end time of the automatic programme

## Time setting

Simultaneously press the buttons [+]/[-] for 3 seconds to enter the time setting mode. Then, set the time using the buttons [+]/[-]. After adjustment wait 5 seconds for confirmation.

## Timer

Press the "OK" button for 2 seconds and select the timer function. The symbol "🔔" will start flashing. Set the desired time using the buttons [+]/[-]. With the timer active, the symbol "🔔" remains lit and the current time is displayed. By tapping the "OK" button, the display shows the remaining time. At the end of the programmed time, an acoustic signal will be emitted and the bell symbol will start flashing. To stop the acoustic signal, tap any button. To exit the timer mode, press the buttons [+]/[-] for 2 seconds.

# USE OF THE ELECTRONIC PROGRAMMER

---

## Automatic function with duration and end of cooking

Press the **OK** button for 2 seconds to enter the programming mode. Then, press the **OK** button until '**dur**' appears on the display [+]/[-] Now set the desired cooking time using the buttons. Press the **OK** button for confirmation: '**End**' will be shown on the display. Use the buttons [-]/[+] to set the end time of cooking and press the **OK** button for confirmation. Turn on the oven and set the cooking temperature: cooking will start at the previously calculated programmed time by subtracting the '**dur**' time from the '**End**' time. When the programmed time expires, an acoustic signal will be emitted, and '**AUTO**' will be flashing on the display. To exit the end of cooking mode, press the **OK** button or press simultaneously the buttons [+]/[-] for 3 seconds.

---

## Manual mode

To set the manual mode, simultaneously press the buttons [+]/[-] for 3 seconds. By doing so, the programmed cooking settings are reset.

---

## Semi-automatic function with end of cooking

Press the **OK** button for 2 seconds to enter the programming mode. Then, press the **OK** button until '**dur**' appears on the display. Set the cooking time with the buttons [+]/[-] and wait 5 seconds for its confirmation (the display will show '**AUTO**'). Turn on the oven and set the cooking temperature. After the programmed time has expired, the oven will turn off, an acoustic signal will be emitted, and the symbol '**AUTO**' will start flashing on the display. To exit the end of cooking mode, press the **OK** button or press simultaneously the buttons [+]/[-] for 3 seconds.

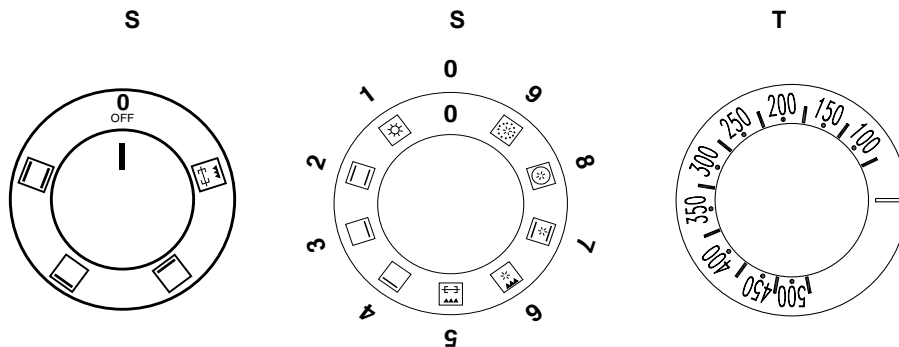
# INSTRUCTIONS FOR USE

## Use of the electric oven multifunction / static

Description

S. Selector

T. Thermostat



Command of the oven multifunction

S. Multifunction / static electric oven selector  
T. Temperatures, from 100°F to 500°F, can be selected by using this knob.

Turning on and off

Choose one of the cooking operations by turning the selector (S) and adjust the temperature with the thermostat (T).  
We recommend putting into the oven after preheating.

Function oven

Choose one of the cooking functions pag.35-36 by turning the selector (S) and adjust the temperature (100°F to 500°F) with the thermostat (T). If your model is equipped with a programmer, prepare it for cooking.



# INSTRUCTIONS FOR USE

## – Functions list for multifunction oven

1



### Pizza cooking

This function is particularly suitable for cooking pizza, focaccia and bread. The main source of heat is from the bottom heating element that works in combination with the oven's other resistances.

2



### Normal static cooking

It is the oven's classic function particularly suited to cooking the following foods: pork chops, sausages, cod, braised beef, game, roast veal, meringues and biscuits, baked fruit, etc.

3



### Cooking from underneath

This is the most suitable mode to finish the food cooking, in particular confectionery (biscuits, meringues, leavened cakes, fruit desserts, etc.) and other foods.

4



### Cooking from above

Especially suitable for browning and to give the final touch of colour to many foods; it is recommended for ham- burgers, pork chops, veal steaks, sole, cuttlefish, etc.

6



### Closed door grill cooking

The suitable function for fast and deep grilling, to brown and roast meats in general, fillet steaks, Florentine steaks, grilled fish and also grilled vegetables.

5



### Fan grill cooking

Particularly fast and deep with significant energy savings, this function is suitable for many foods such as pork chops, sausages, pork or mixed spits, game, gnocchi alla romana, etc.

7



### Intensive cooking

Is the quick and intense cooking function for various dishes; best for: baked fish, braised vegetables, spits, duck, chicken, etc.

8



### Multiple fan cooking

It is the function that allows simultaneous cooking of different dishes without the smells blending; you can cook lasagne, pizza, croissants and brioches, tarts, cakes, etc.

9



### Quick Start (only available on some models)

This function speeds up your oven's pre-heating. We suggest you use this function when you set a cooking temperature from between 400 and 575 ° F. Use of the QuickStart function for temperatures under 400 ° F is not advantageous.

Once the oven has reached the temperature, select the desired cooking function and the temperature.

**WARNING: the Quick Start function is not suitable for cooking foods, it is only for quickly pre-heating the oven.**

**DO NOT USE THE QUICK START FUNCTION FOR MORE THAN TWENTY MINUTES.**

# INSTRUCTIONS FOR USE

## – Functions list for static oven

---

2



### Upper & lower elements

Is the classical function of the electric oven and particularly adapted for cooking: pork chops, sausages, dried salt-cured cod, pot roast, game, roast veal, meringues and biscuits, baked fruit, etc.

3



### Lower element

This setting is most suitable for finishing cooking, particularly pastries (biscuits, meringues, desserts, puff pastry, fruit cakes, etc.) and other foods.

4



### Upper element

Especially suitable for browning and to add the finishing touches of colour to different dishes. We suggest this setting when cooking hamburgers, pork cutlets, steaks, sole, cuttlefish, etc.

5



### Grill-baking

A suitable setting for grilling au gratin and roasting quickly and well, meat in general, fillet, T-bone steak, grilled fish and vegetables too.

# INSTRUCTIONS FOR USE

## turn-spit (only on some models)

Slide the meat to be cooked onto the spit, blocking it with the special forks. Place the spit on the special supports previously inserted in the drip pan and insert it in the spit-roast horn. Turn on the static grill with closed door function. To extract the spit together with the drip pan pull it out just enough to allow complete extraction.

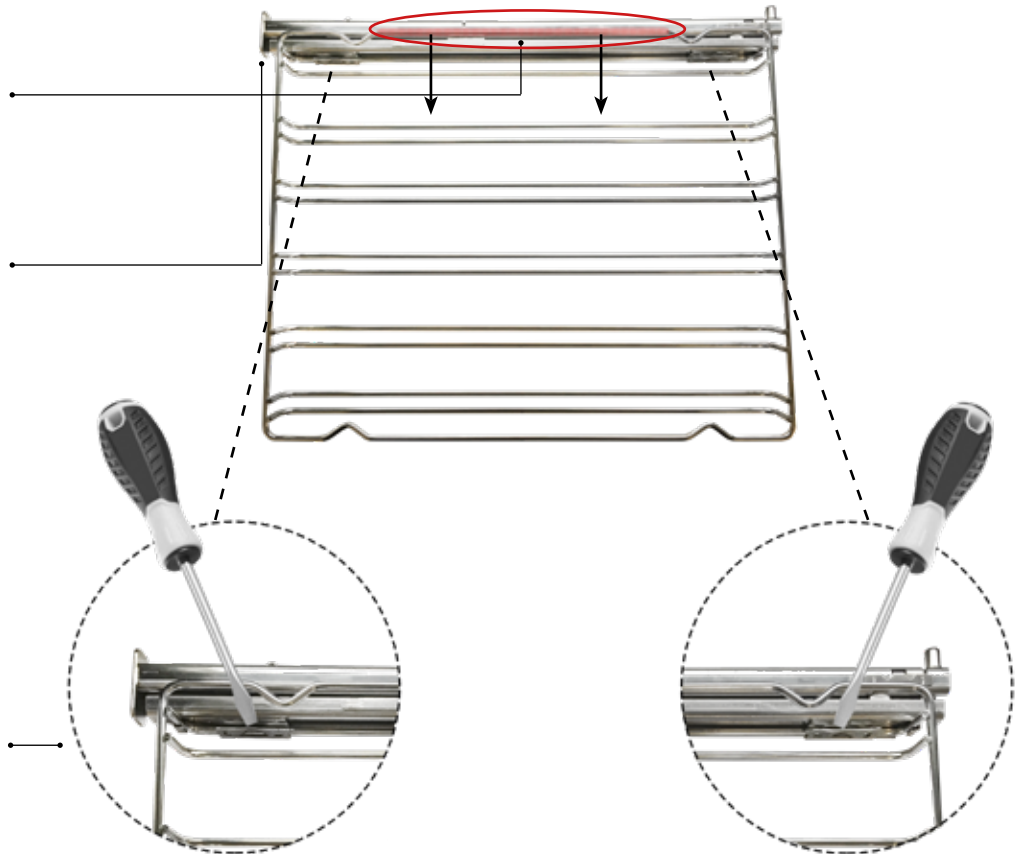


## Telescopic runners (only in certain models)

This solution has been studied to increase the ergonomics, the practicality and safety when moving baking trays in the oven. The kit includes completely extendible lateral runners, which slide on ball bearings to facilitate the removal and positioning of the trays. The runners are anti tip-over for better safety. It is possible to remove them to clean them or move them as illustrated in the pictures below.

Pull down the part highlighted in red to remove it from the oven.

Turn over the grill and place it on a flat surface with the telescopic runner facing down.



To unhook the clip, loosen with a flathead screwdriver

Repeat the operations backwards to reposition the grills.

# INDUCTION APPLIANCES

## COOKTOP

### BEFORE THE FIRST USE

Clean your hob with a damp cloth, and then dry the surface thoroughly. Do not use detergent which risks causing bluetinted colour on the glass surface.

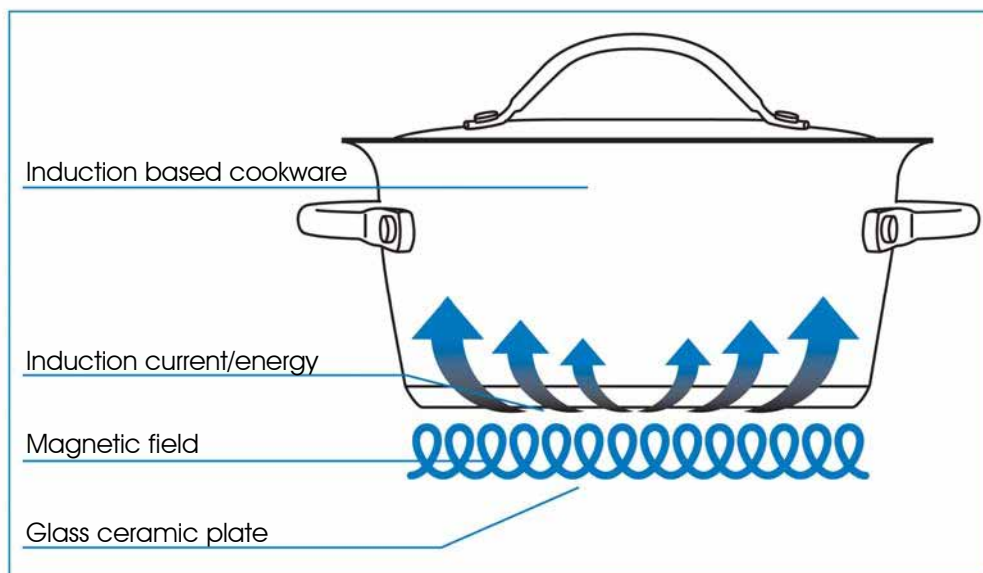
### INDUCTION PRINCIPLE

An induction coil is located under each heating zone. When it is engaged, it produces a variable electromagnetic field which produces inductive currents in the ferromagnetic bottom plate of the pan. The result is a heating-up of the pan located on the heating zone.

Of course the pan has to be suitable:

- All ferromagnetic pans are recommended (please verify it thanks a little magnet): cast iron and steel pans, enamelled pans, stainless-steel pans with ferromagnetic bottoms...
- Are excluded : copper, pure stainless-steel, aluminium, glass, wood, ceramic, stoneware,...

The induction heating zone adapts automatically the size of the pan. With a too small diameter the pans doesn't work. This diameter is varying in function of the heating zone diameter. If the pan is not suitable to the induction hob the display will show [ U ].



# INSTRUCTIONS FOR USE

---

## IMPORTANT

The ceramic hob remains hot for a long time after use. Do not touch the hob with your hands or let children near it. The residual heat indicator will remain lit until the hob has cooled down.

If any cracks appear in the ceramic hob, disconnect the appliance immediately from the mains and call an authorized technical service centre.

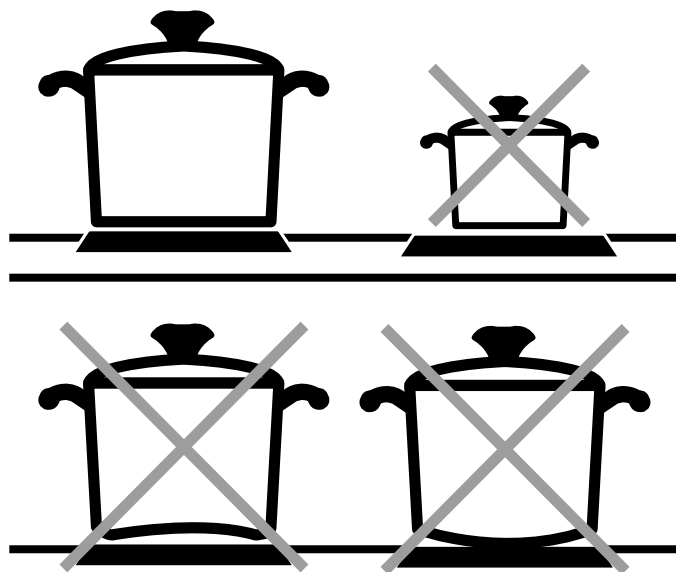
The hob has cooking areas with different power values and diameters. The positions are clearly indicated by the rings (see Fig. 12) during operation, heat is located exclusively within these rings and the remaining area stays cold. Each cooking area is designed to operate with specific pans for induction cooking, having a diameter just smaller than the diameter of the chosen cooking area. The bottom of the pan must be thick and flat. Its diameter must be as similar as possible to that of the cooking ring (Fig. 11). The surface of the hob and the bottom of the pan must be kept clean.

A - Do not wet or overheat the plates.

B - Avoid sudden changes of temperature on the ceramic hob. For example, do not pour cold water onto the hot hob.

C - Do not leave the pan handles sticking out as they could be flipped accidentally.

D - It is preferable not to cook on the ceramic hob with pans that have been used on gas burners. The flames will have deformed the bottom of the pans.



## WARNING

The glass ceramic cooking zone is warmed up from the heat of the pan. To avoid injuries (burning) do not touch this area.

# INDUCTION APPLIANCES

Burners	Cooking area (inch)	Electric power (watt)
A	∅ 5 <sup>3/4</sup>	1400W / Booster 1800W
B	∅ 7 <sup>1/4</sup>	1850W / Booster 2500W
C	∅ 8 <sup>11/16</sup>	2300W / Booster 3200W

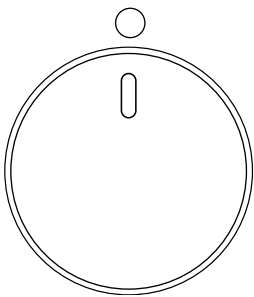
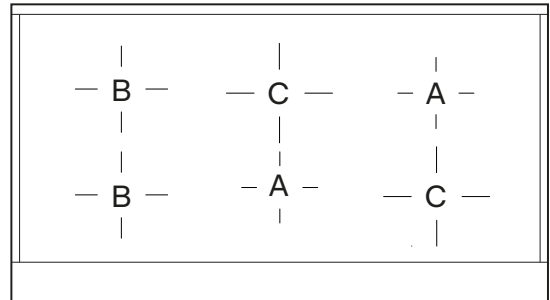
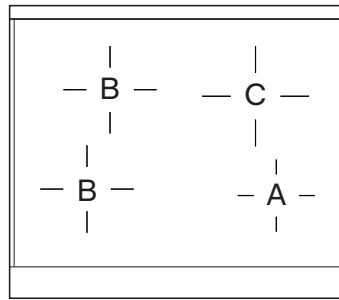


Fig.13

## SWITCHING ON A COOKING AREA

A cooking area is switched on by pushing and turning the relevant knob (fig. 13) clockwise. The set power level appears on the hob display (from 1 to 9).

## SWITCHING OFF A COOKING AREA

A cooking area is switched off by turning the relevant knob anticlockwise. The symbol [0] appears on the hob display for 3 seconds, then it disappears from the display changes to the symbol [H], if the cooking area is still hot.

## AUTOMATIC SWITCHING OFF OF THE DEVICE

The device switches off automatically if any conditions of excess temperature (185°F) or errors in power supply occur.

## BRIDGE function for the induction hob:

Place the pan in the middle of the two heating zones that will be connected (the two equal-sized zones).

Turn the knobs of the two affected zones clockwise and until the end of the stroke.

Hold them for 3 seconds to activate the function.

Adjust the power of the bridge with the front left area knob.

## BOOSTER FUNCTION

The purpose of the booster function is to give more power to a determined area in order to reduce the necessary cooking time.

This function is activated by pushing and turning the knob clockwise from position 0 (off) to the final position (\* fig. 13). The symbol [P] appears on the display, meaning that the booster function is activated.

The Booster function has a maximum duration of 10 minutes. The area concerned then returns to level [9].

The Booster function ends before this time when:

- a lower power level is set
- the pan is removed
- there is overheating of the appliance or of the heating area

The Booster function has precedence over the "Heat-up" function. This means that, if the heat-up function has been activated in an area at the time of activating the Booster function, the heat-up function will be interrupted.

# INDUCTION APPLIANCES

## RECOGNIZING THE PRESENCE OF A PAN

Each cooking area is designed to operate with specific pans for induction cooking, having a diameter just smaller than the diameter of the chosen cooking area. If the pan is not suitable, the display for the area shows the symbol indicating absence of the pan (U) and the appliance does not start up. This prevents the appliance being switched on until a container is placed on the cooking area, or until a container suitable for induction is used. If the container used on the cooking area is removed during this time, the area is switched off.

## RESIDUAL HEAT INDICATION

If the cooking area is still very hot, even though it is switched off, the symbol H appears on the display.

## “HEAT-UP” FUNCTION

The Heat-up function, or quick heating, is available on each cooking area. This means that for a well defined time the cooking area works at maximum power and at the end of this time the power is automatically brought to the set level. In this case the duration depends on the set power level. The Heat-up function is activated by pushing and turning the knob anticlockwise from position 0 to the final position (\* fig. 1a). As soon as the control is turned to the left, a letter [A] is shown on the display for the area. After it has been activated you must set a power level to continue cooking within 3 to 5 seconds; if this is not done, the Heat-up function is interrupted.

## KEY-LOCK FUNCTION

The Key-lock function is useful if there are children at home. However, it is always advisable for an adult to be present when the appliance is in operation. When the Key-lock function is activated all the cooking areas are switched off and they cannot be switched on accidentally.

The Key-lock function is activated, with the knobs in position 0, by turning the controls 1 and 2 simultaneously in an counterclockwise direction.

## Heating function 108°F AND 149°F

Turn the knob (A) clockwise. Between the off position (0) and the power position (1) there is the position (u) which identifies the function for heating food at 108°F. Only for 5 and 6-zone models: turn the knob (A) clockwise again. Between the (u) position and the power position (1) there is the position (U) which identifies the function for heating food at 149°F. The maximum time of use for both functions is limited to 120 minutes. Both functions are prioritized over the 'HEAT-UP' mode.

The Key-lock function is activated, with the knobs in position 0, by turning the controls 2 and 3 in a counterclockwise direction. The letters [L][L][L][L] appear on the display. The Key-lock function is deactivated by repeating the same operation. The letters [O][F] appear on the display. If a knob is turned when the key-lock function is active, the letters [L][L][L][L] appear on the disp.

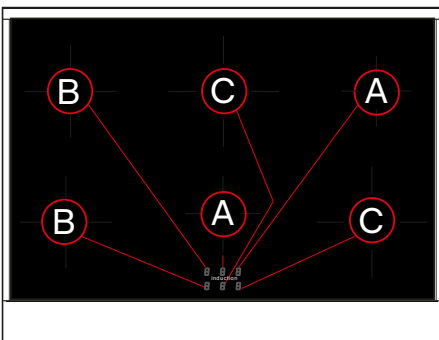


Fig. 14.

## DISPLAY

A display is associated with each cooking area (fig. 14).

- Set power level: (1-9)
- Food heating 108°F 149°F (U)
- Booster: (P)
- Heat-up: (A)
- Residual heat: (H)
- Pan absent or not suitable: (U)
- External error: (E)
- Fault: (F)
- Key-lock function: [L][L][L][L]
- Knob permanent rotation:

# INDUCTION APPLIANCES

## LIMIT OF THE DURATION OF OPERATION

A maximum time of continuous operation is associated with each cooking area.

This depends on the set power level. If the limit of the duration of operation is reached, the respective area is switched off

## OPERATING TABLE (purely indicative values)

Knob position	Type of cooking
1-2	melting butter, chocolate, etc.
2-4	heating small amounts of liquids, keeping food warm, preparing sauces.
4-5	heating solid foods, thawing frozen foods, omelettes with 2-3 eggs, fruit and vegetables.
5-6	cooking meat and fish, pulses in sauces, dishes with water, making jam.
6-7	roasting meat or fish, steaks, liver, eggs.
8-9	boiling large amounts of water, frying chips, etc.

## TIME LIMIT OPERATION TABLE

Power Level	Approximate limit of the duration of operation (hours)
U	2
1	6
2	6
3	5
4	5
5	4
6	1,5
7	1.5
8	1,5
9	1,5
P	(10 min. [P], later 80 min. [9])



# CLEANING AND MAINTENANCE

## List with common types of soiling and recommendations how to treat them:

Type of soiling	Treatment
Slight soiling, no burned residues	Wipe with a moist cloth (scotch), without cleaning agent
Sticky soiling	Remove with a scraper. Then wipe the heating area with a moist cloth
Lime deposits, caused by water which has boiled over	These spots can be removed with vinegar or a special cleaning agent
Sugar, sugar containing food, plastic, aluminum foil	Immediately scrape off the sugar, plastic or aluminum foil residues thoroughly from the hot cooking area, e.g. with a razor blade. After removal of the residues, clean it with a cleaning agent. If the heating area is soiled with residues of sugar, plastic or aluminum foil cools down without prior cleaning, the ceramic surface might become deformed by pinheadsized pits.
Drawer	<p>Cleaning is the only maintenance that is required. Warning! Cleaning must be performed with the cooker disconnected from the power supply. Do not use aggressive or abrasive cleaning products, abrasive sponges or sharp objects that can leave marks of abrasion. Do not use steam cleaners for internal cleaning of the drawer.</p> <p>Front panel To clean the front panel, use specific cleaning products such as warm water and non-abrasive detergents. Apply a small amount of product on a soft cloth and rub on the surface.</p> <p>Inside the drawer Clean the inside of the drawer with a damp cloth. If it is very dirty, add a few drops of detergent (non-aggressive universal degreaser) to the wash water. Clean the surface with a dry cloth to dry. Reuse the drawer only when it is completely dry.</p>

## List with common types of soiling and recommendations how to treat them:

The cleaning of the Ceran glass is identical to other similar surfaces like glass. Do not use corrosive or abrasive cleaning agents, such as grill and oven-sprays, stain- and rust-removers, scouring powder and rough sponges.

Before being cleaned, the Ceran glass must be cooled down.

Other maintenance and servicing work other than cleaning as described here, must be done by authorized service personnel.

Make sure that no liquid can enter in the induction unit.

A good maintenance of the induction cooker requires a regular cleaning, care and servicing.

The operator has to ensure that all components relevant for safety are in perfect working order at all times.

The cooker should be examined at least once a year by an authorized technician.

### **CAUTION Do not open the induction unit, dangerous electric voltage inside**

The cookers may only be opened by authorized personnel.

# CLEANING AND MAINTENANCE

## Total black burners

---

### Maintenance and cleaning

ATTENTION: burners with nanotechnological coating

Some cleaning and washing methods are recommended in order to preserve the quality of the coating.

- Allow the product to cool down at room temperature before cleaning it. It is recommended not to dip it in cold water when it is still hot.
- Wash with warm water and a minimum of neutral detergent. Rub with a cloth, better if in natural cellulose, or non-abrasive sponge.
- Do not use dust, iron wool, cloths and abrasive sponges.
- Do not let food be charred on the burner. In case stains/colorations may appear on the surface. These traces do not alter the functionality of the product, and in some cases can be eliminated with this procedure: immerse the product in hot water, with detergent, wipe gently with a cloth, better if in natural cellulose; in any case, do not use abrasive cloths or sponges. For the most resistant stains, it is advisable to warm white vinegar and rub as indicated above.
- Avoid leaving the burners in contact with food for a long time, especially if acidic, such as tomato sauce.
- Avoid contact with metal objects; if really needed, use wooden or plastic objects.
- Avoid washing in the dishwasher, a part of the product is not coated and would get irrepara
- Jotta DUAL-poltin toimisi oikein, pidä alla olevassa kuvassa korostettu sytytyskanava puhtaana.

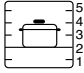


# FAN OVEN COOKING CHART



MEATS	TEMPERATURE [°F]	POSITION	TIME [min]
Roast beef	340 - 360	2/3	40/50
Roast ox	340 - 370	2/3	40/60
Roast veal	320 - 360	2/3	65/90
Roast lamb	285 - 320	2	100/130
Rare roast beef	360 - 370	2/3	40/45
Roast hare	340 - 360	2/3	30/50
Roast rabbit	320 - 360	2	80/100
Roast turkey	320 - 360	2	160/240
Roast goose	320 - 370	2/3	120/160
Roast duck	340 - 360	2/3	100/160
Roast chicken	360	2/3	70/95
<hr/>			
FISH	320 - 360	1/2	15/25
<hr/>			
CAKES			
Fruit cake	360 - 390	2	40/50
Plain square cake	360 - 375	2	40/45
Brioche	340 - 360	2	40/60
Sponge cake	375 - 390	2	25/35
Plain ring cake	320 - 360	2	35/45
Sweet biscuits	360 - 390	2	20/30
Yeast cake	375 - 390	2	30/40
Strudel	320	2	25/35
Savoy biscuits	300 - 360	2	50/60
Apple fritters	360 - 390	2	18/25
Biscuits pudding	340 - 360	2	30/40
Toast	370 - 385	2	7
Bread	390 - 360	3	40
Pizza	430 - 465	2/3	15/20

# NATURAL CONVECTION OVEN COOKING CHART

MEATS	TEMPERATURE [°F]	POSITION 	TIME [min]
Roast beef	440	2/3	60/80
Roast ox	450 – 500	2/3	50/60
Roast veal	440	2/3	60/80
Roast lamb	440	2	40/50
Rare roast beef	450	2/3	50/60
Roast hare	450 - 500	2/3	40/50
Roast rabbit	450 - 500	2	40/50
Roast turkey	450 - 500	2	50/60
Roast goose	440	2/3	60/70
Roast duck	450 - 500	2/3	45/60
Roast chicken	450 - 500	2/3	40/45
<hr/>			
FISH	390 - 440	1/2	15/25
<hr/>			
CAKES			
Fruit cake	440	2	35/40
Plain square cake	350 – 390	2	50/60
Brioches	350 – 390	2	25/30
Sponge cake	430 – 500	2	20/30
Plain ring cake	360 -390	2	30/40
Sweet biscuits	390 - 430	2	15/20
Yeast cake	450-500	2	25/35
Strudel	360	2	20/30
Savoy biscuits	360 – 390	2	40/50
Apple fritters	390 – 430	2	15/20
Biscuits pudding	390 - 430	2	20/30
Toast	450-500	3	5
Bread	430	3	30
Pizza	450-500	2	15/20

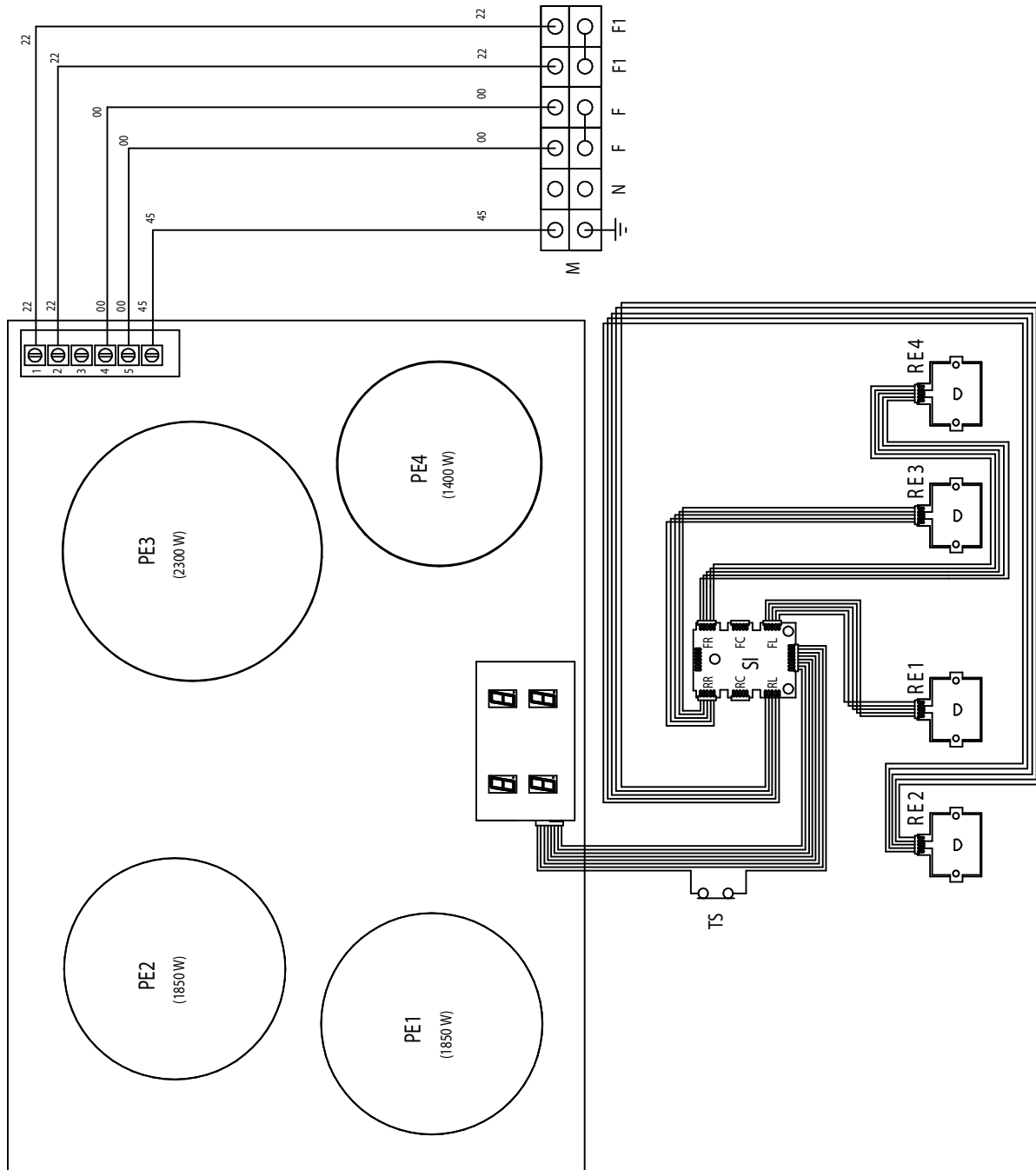
# ELECTRICAL SKETCHES

## - KEYS

NTC	Temperature probe	K2	Earth wire for lower resistance
PT100	Temperature probe	K3	Earth wire for oven fan
EN	Encoder	K4	Earth wire for circular resistance
DU	Vax motor	K5	Earth wire for upper resistance
MP	Door microswitch	K6	Earth wire for oven lamp 1
MG	Spit motor	K7	Earth wire for oven lamp 2
CP	Meat probe connector	K8	Earth wire for spit motor
PB	Power board	K15	Earth wire for appliance chassis
SE	Auxiliary power board	R1	Uppper heating element
SD	Display Board	R2	Lower heating element
SA	Power supply board	R3	Grill heating element
VT	Cooling fan	R4	Circular heating element
TS	Safety thermostat	N	Neutral
TS1	Safety thermostat	F	Phase
L1	Oven lamp	F1	Phase 1
L2	Ampoule du four	SP	Ignition electrode
VR	Ventilateur du four	MA	Ignition microswitch
M	Terminal board	RE	Electric encoder
11	Brown	PE	Inductor
22	Red	SI	Interface board
33	White	AA	Ignition transformer
44	Yellow	RL	Limiting resistance
45	Jaune - vert	R5	Warming drawer element
55	Gris	SWD	Warming drawer control board
66	Blue	DS1	Burner control
TT	Cooling fan thermostat	CCDF	Coup the feu selector
EL	Solenoid valve		
T	Thermostat		
K1	Earth wire for terminal board		

# ELECTRICAL SKETCHES

## 4 INDUCTION ZONES

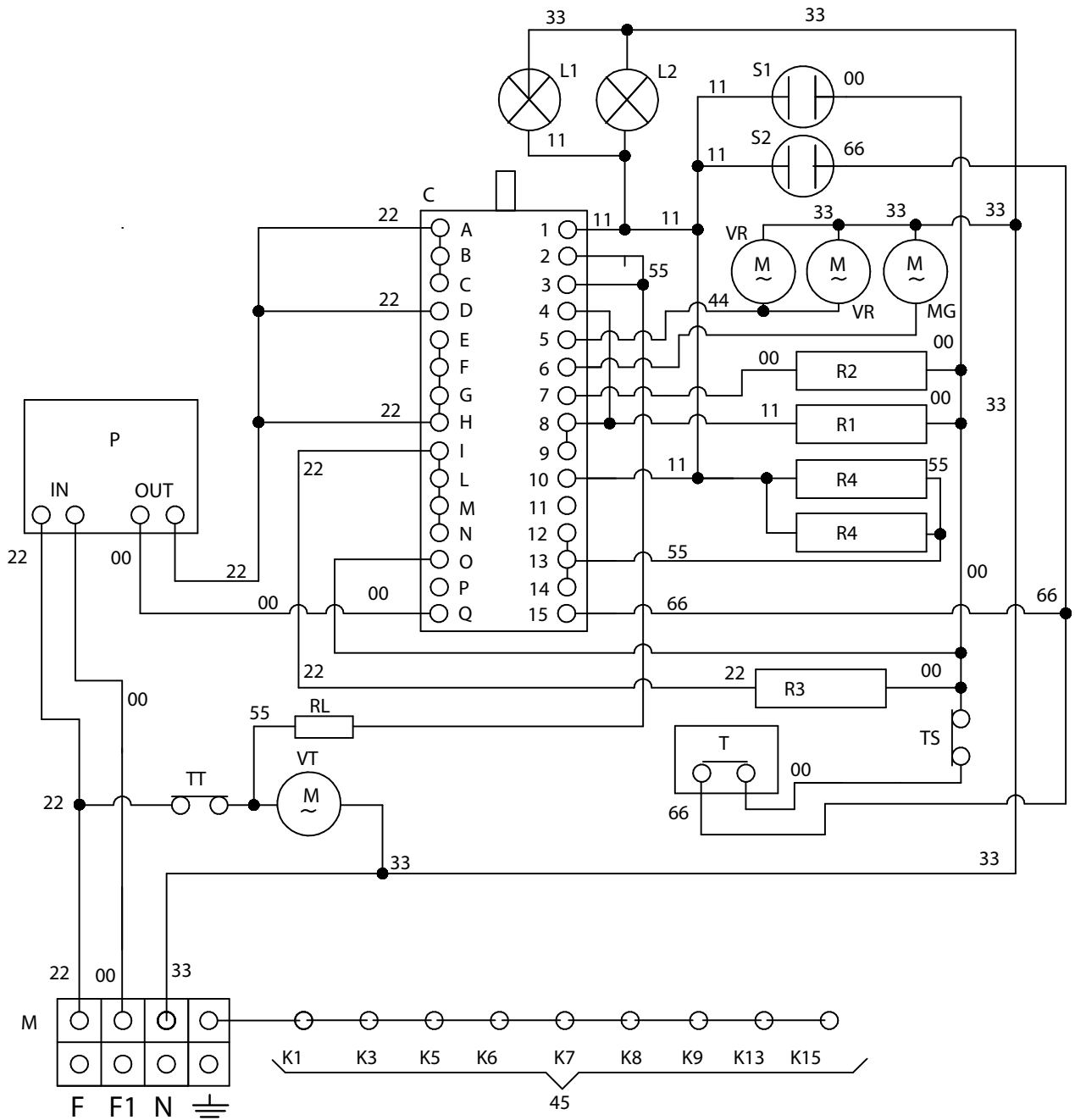




# ELECTRICAL SKETCHES

U (P/N) 30...MP

U (P/N) I 30...MP

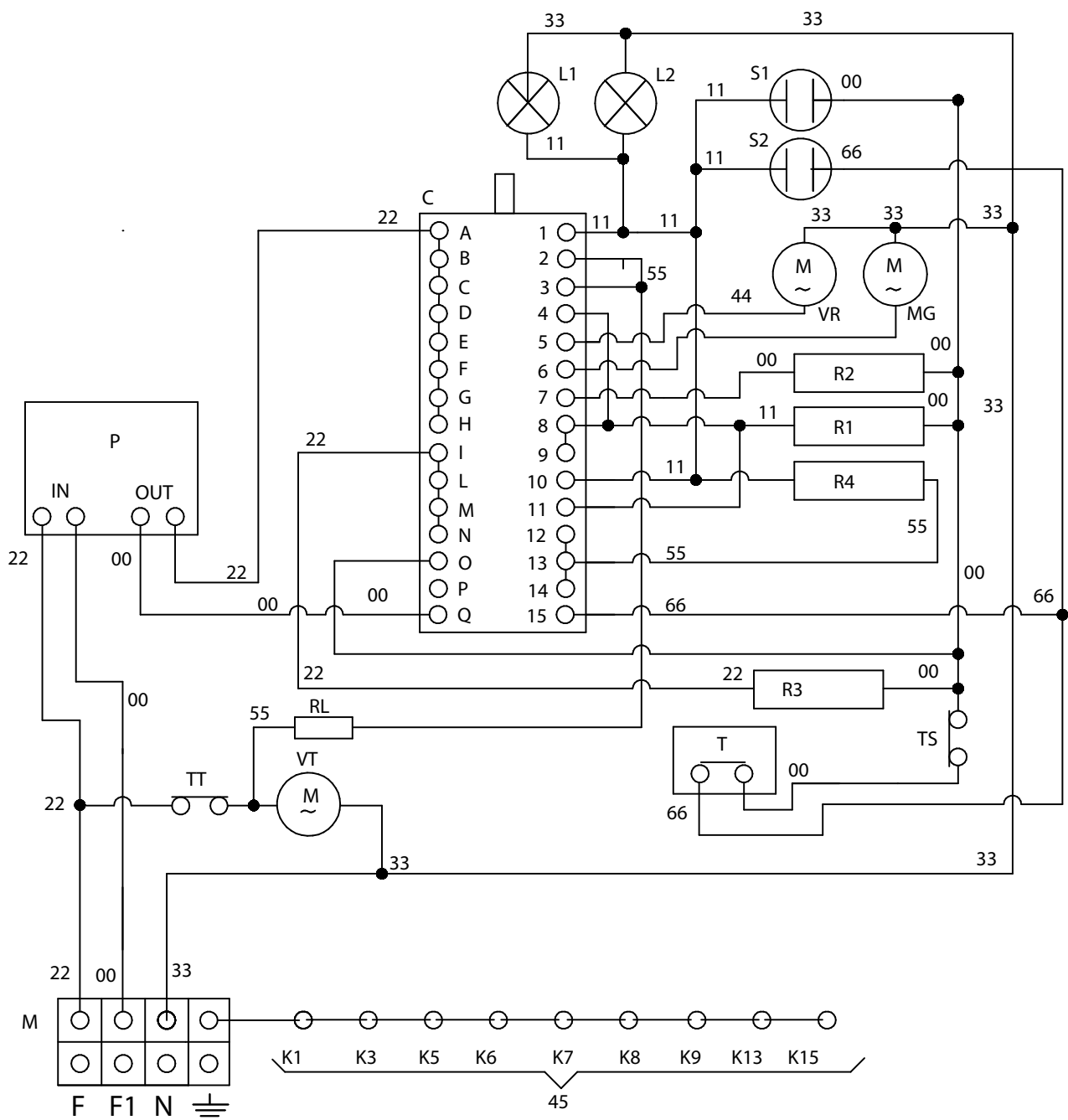




# ELECTRICAL SKETCHES

U(P/N) 36MP - U(P-N) 361MP

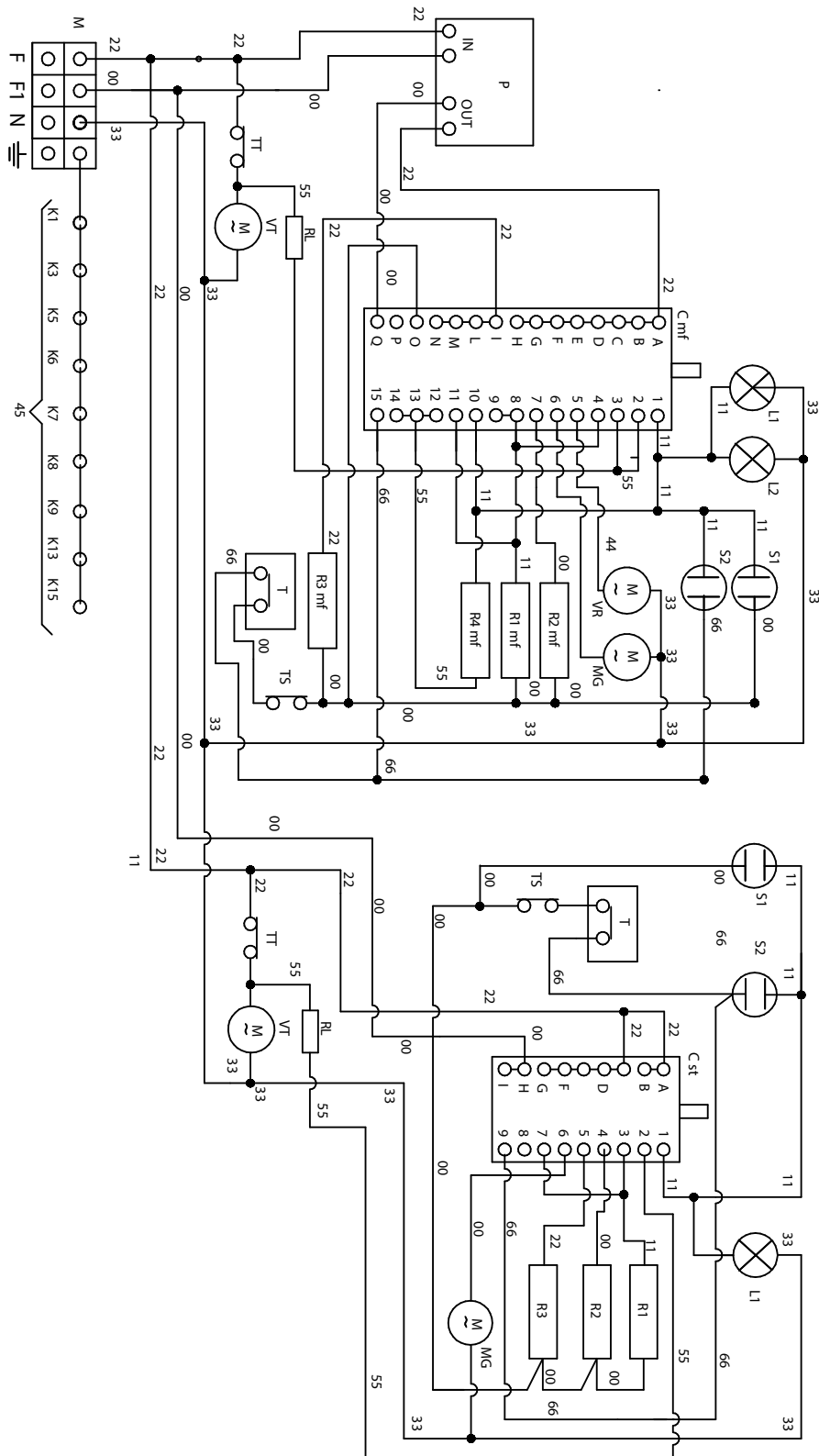
U(P/N) I 36MP - U(P-N) I 361MP



# ELECTRICAL SKETCHES

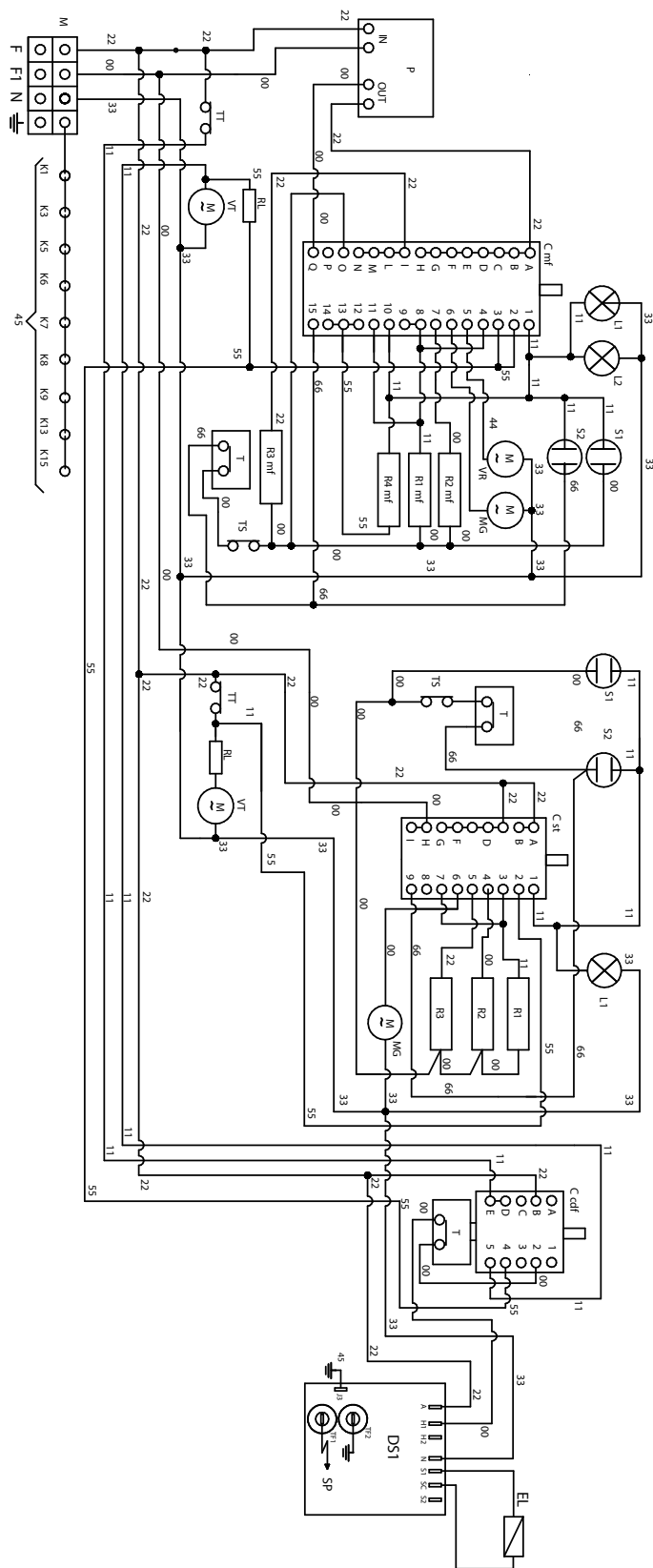
U (P/N) 48...MP

U (P/N) I 48...MP



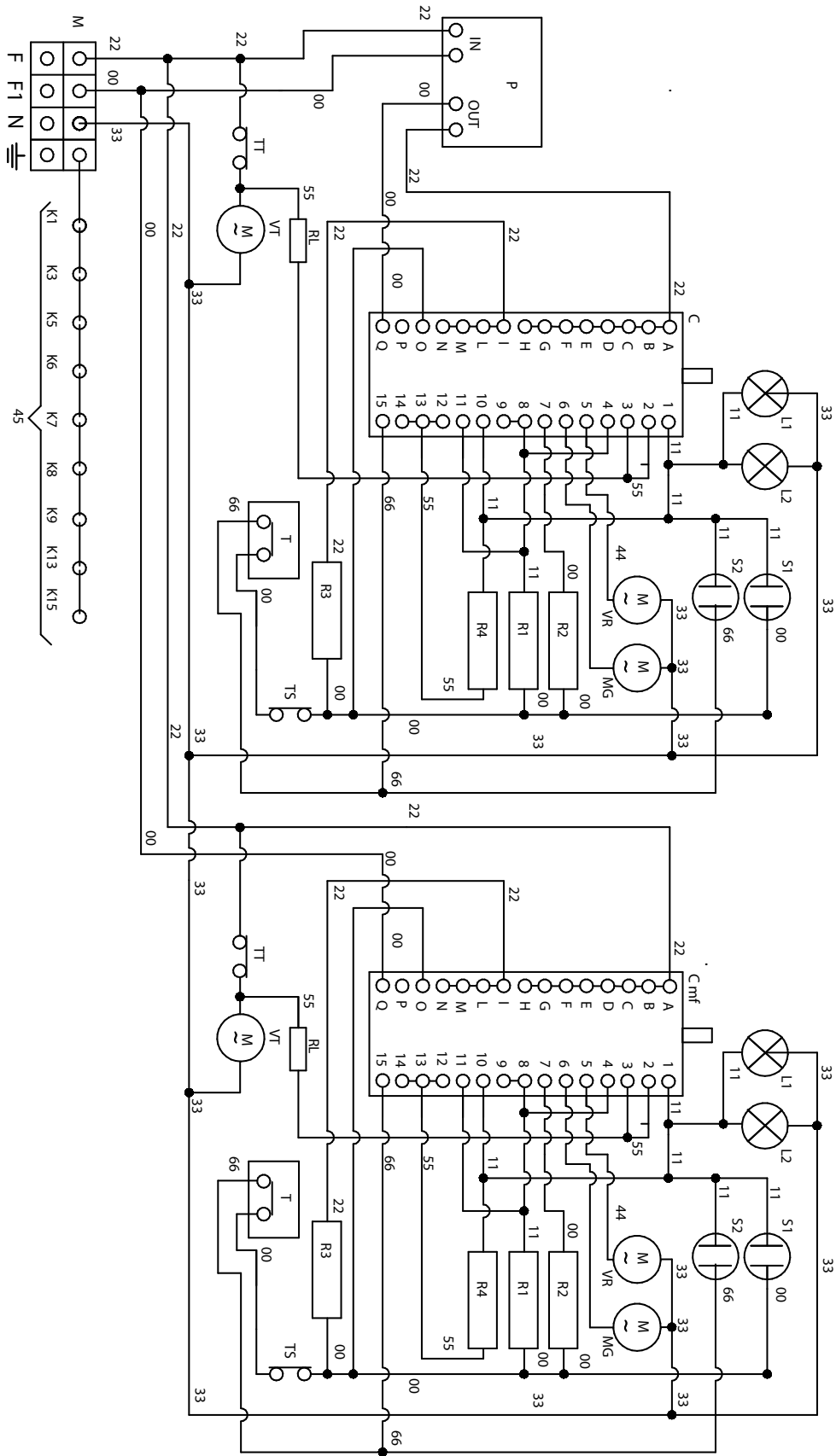
# ELECTRICAL SKETCHES

U (P/N) 48...S MP



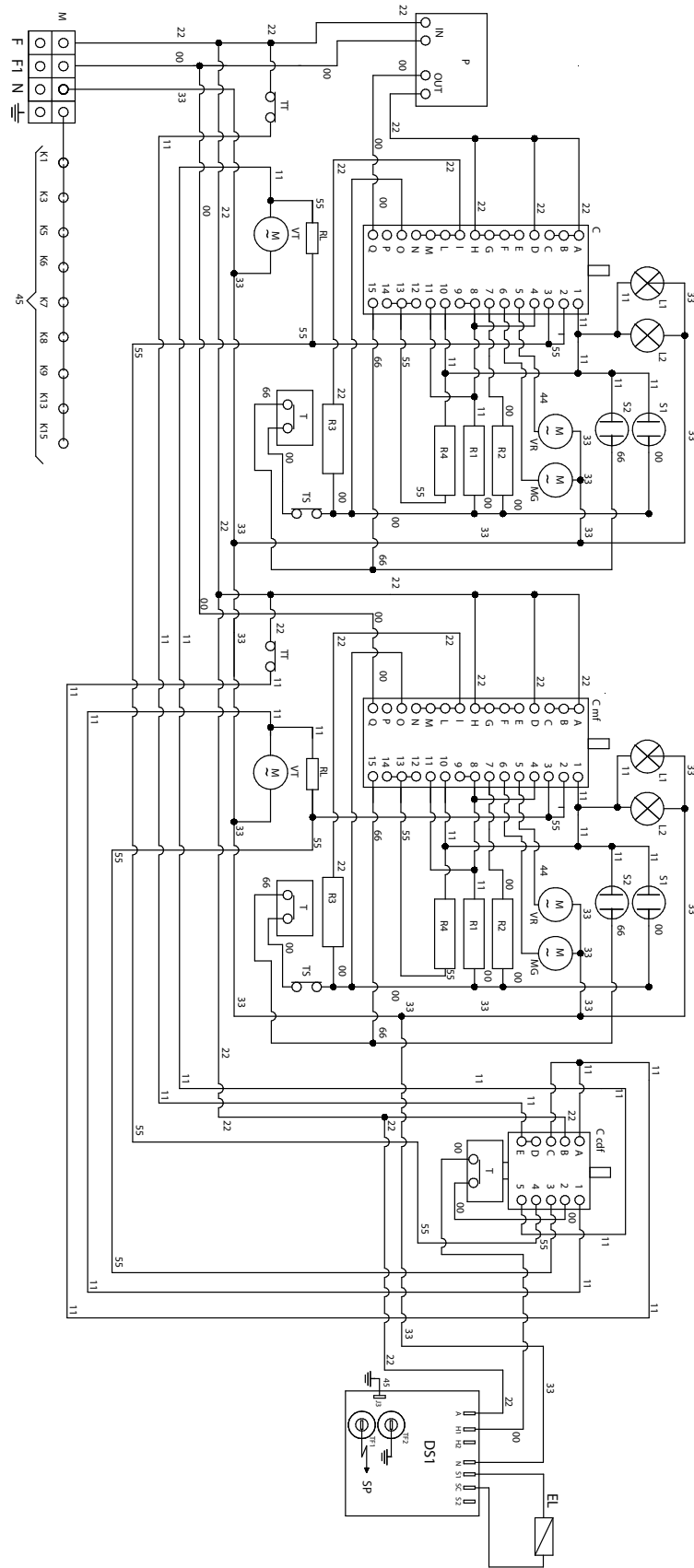
# ELECTRICAL SKETCHES

U (P/N) 60...MP



# ELECTRICAL SKETCHES

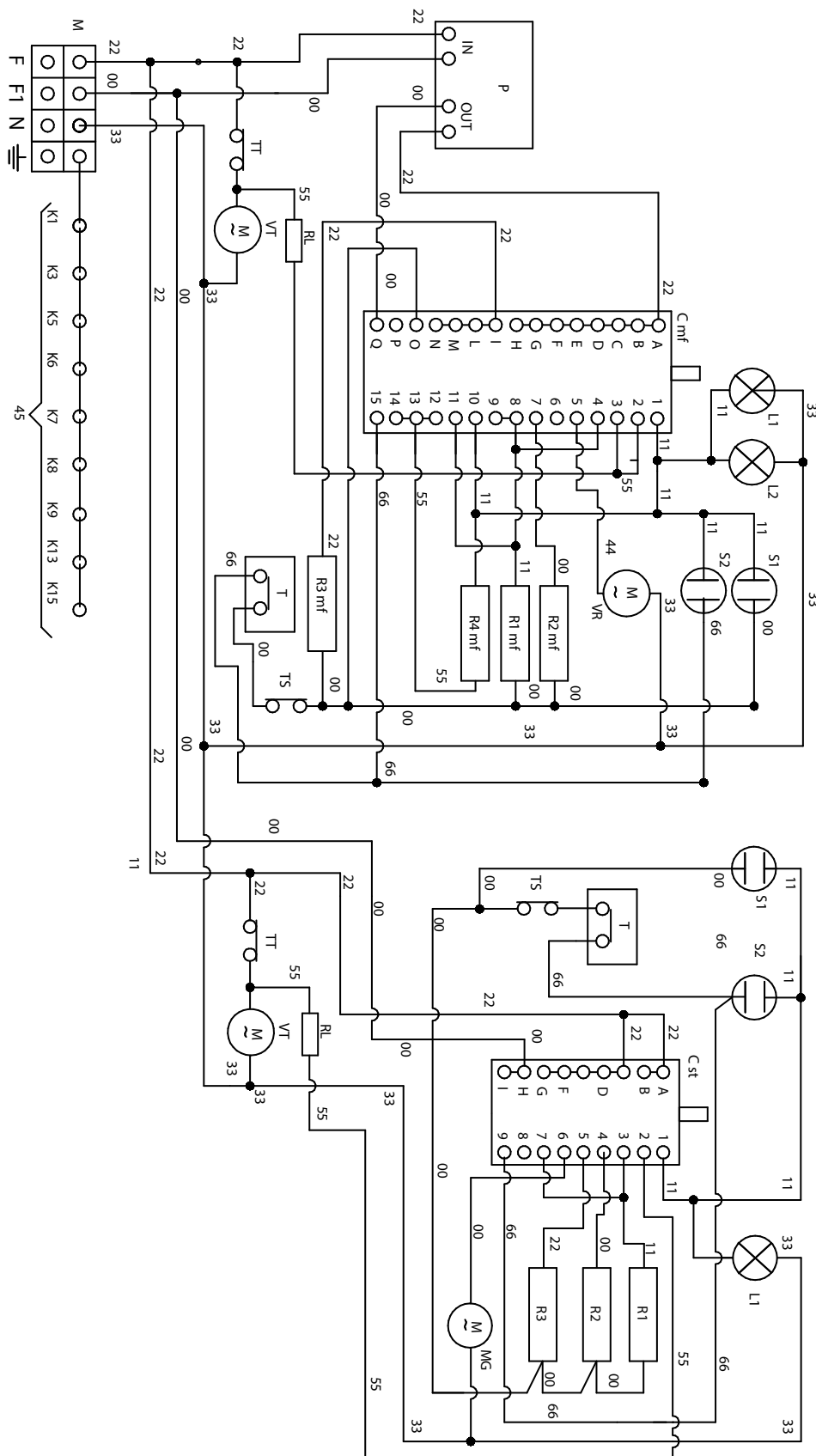
U (P/N) 60... S MP



# ELECTRICAL SKETCHES

U (P/N) D 36...MP - U (P/N) D I 36...MP

U (P/N) D 40...MP - U (P/N) D I 40...MP



# ELECTRICAL AND GAS POWER TABLE

TYPE U(P/N/T) PROFESSIONAL COOKING BLOCK	GAS POWER						ELECTRICAL POWER											COMPLETE APPLIANCE GAS RATING [Btu/h]	COMPLETE APPLIANCE ELECTRIC RATED INPUT [kW]	COMPLETE APPLIANCE ELECTRIC RATED INPUT [A]
	TOP BURNER TYPE						ELECTRICAL OVEN													
	SR	C.D.F. (coup de feu)	R	DUAL	P	DCC	60cm EI, multifunction oven (65 litres)	80cm EI, multifunction oven (67 litres)	90cm EI, multifunction oven (110 litres)	30" EI, Multifunction oven (114 litres)	30cm EI, conventional oven (43 litres)	40cm EI, conventional oven (67 litres)	30cm ELECTRONIC conventional oven (43 litres)	40cm ELECTRONIC conventional oven (67 litres)	30" induction cooktop (4 zones)	100cm induction cooktop (6 zones)	warming drawer			
Models	7000	5500	###	###	###	###	kW													
UP30(W/N/Q)(MP) UN30(W/Q/N/QN)(MP)	2		2	1			3.5	3.7	3.7	3.7	2.5	2.8	2.5	2.9	7.7	11.5	0.65	60000	3.70	15.4
UP30(W/N/Q)(S3) UN30(W/Q/N/QN)(S3) UT30(W)(S3)	2		2	1					1								1	60000	4.35	18.1
UPI304(W/N/Q)(MP) UNI304(W/Q/N/QN)(MP)									1						1			0	11.40	47.5
UPI304(W/N/Q)(S3) UNI304(W/Q/N/QN)(S3) UTI304(W)(S3)									1						1		1	0	12.05	50.2
UP36(6/F)(W/N/Q)(MP) UN36(6/F)(W/Q/N/QN)(MP)	1		3	2				1										88500	3.70	15.4
UP36(6/F)(W/N/Q)(S3) UN36(6/F)(W/Q/N/QN)(S3) UT36(6/F)(W)(S3)	1		3	2				1									1	88500	4.35	18.1
UPI366(W/N/Q)(MP) UNI366(W/Q/N/QN)(MP)								1								1		0	15.20	63.3
UPI366(W/N/Q)(S3) UNI366(W/Q/N/QN)(S3) UTI366(W)(S3)								1							1	1		0	15.85	66.0
UP361(6/F)(W/N/Q)(MP) UN361(6/F)(W/Q/N/QN)(MP)	1		3	2				1										88500	3.70	15.4
UP361(6/F)(W/N/Q)(S3) UN361(6/F)(W/Q/N/QN)(S3) UT361(6/F)(W)(S3)	1		3	2				1									1	88500	4.35	18.1
UPI3616(W/N/Q)(MP) UNI3616(W/Q/N/QN)(MP)								1								1		0	15.20	63.3
UPI3616(W/N/Q)(S3) UNI3616(W/Q/N/QN)(S3) UTI3616(W)(S3)								1							1	1		0	15.85	66.0
UPD36(6/F)(W/N/Q)(MP) UND36(6/F)(W/Q/N/QN)(MP)	1		3	2				1		1								88500	6.00	25.0
UPD36(6/F)(W/N/Q)(S3) UND36(6/F)(W/Q/N/QN)(S3) UTD36(6/F)(W)(S3)	1		3	2				1			1						1	88500	6.65	27.7
UPDI366(W/N/Q)(MP) UNDI366(W/Q/N/QN)(MP)								1		1						1		0	17.50	72.9
UPDI366(W/N/Q)(S3) UNDI366(W/Q/N/QN)(S3) UTDI366(W)(S3)								1			1				1	1		0	18.15	75.6
UPD40(6/F)(W/N/Q)(MP) UND40(6/F)(W/Q/N/QN)(MP)	1		3	2				1			1							88500	6.25	26.0
UPD40(6/F)(W/N/Q)(S3) UND40(6/F)(W/Q/N/QN)(S3) UTD40(6/F)(W)(S3)	1		3	2				1								1		88500	7.05	29.4
UPD40(S)(W/N/Q)(MP) UND40(S)(W/Q/N/QN)(MP)	1	1	2	1				1			1							58500	6.25	26.0
UPD40(S)(W/N/Q)(S3) UND40(S)(W/Q/N/QN)(S3) UTD40(S)(W)(S3)	1	1	2	1				1					1				1	58500	7.05	29.4
UPDI406(W/N/Q)(MP) UNDI406(W/Q/N/QN)(MP)								1			1					1		0	17.75	74.0
UPDI406(W/N/Q)(S3) UNDI406(W/Q/N/QN)(S3) UTDI406(W)(S3)								1					1		1	1		0	18.55	77.3
UP48(8/F)(W/N/Q)(MP) UN48(8/F)(W/Q/N/QN)(MP)	2		4	2				1		1								106000	6.20	25.8
UP48(8/F)(W/N/Q)(S3) UN48(8/F)(W/Q/N/QN)(S3) UT48(8/F)(W)(S3)	2		4	2				1				1					1	106000	6.85	28.5
UP48(S)(W/N/Q)(MP) UN48(S)(W/Q/N/QN)(MP)	1	1	2	1	1			1		1								69000	6.20	25.8
UP48(S)(W/N/Q)(S3) UN48(S)(W/Q/N/QN)(S3) UT48(S)(W)(S3)	1	1	2	1	1			1					1				1	69000	6.85	28.5
UPI486(W/N/Q)(MP) UNI486(W/Q/N/QN)(MP)								1			1					1		0	17.70	73.8
UPI486(W/N/Q)(S3) UNI486(W/Q/N/QN)(S3) UTI486(W)(S3)								1							1	1		0	18.35	76.5
UP60(9/F)(W/N/Q)(MP) UN60(9/F)(W/Q/N/QN)(MP)	2		4	2	1			1	1									116500	7.20	30.0
UP60(9/F)(W/N/Q)(S3) UN60(9/F)(W/Q/N/QN)(S3) UT60(9/F)(W)(S3)	2		4	2	1			1	1								1	116500	7.85	32.7
UP60(S)(W/N/Q)(MP) UN60(S)(W/Q/N/QN)(MP)	2	1	3	1	1			1	1									86500	7.20	30.0
UP60(S)(W/N/Q)(S3) UN60(S)(W/Q/N/QN)(S3) UT60(S)(W)(S3)	2	1	3	1	1			1	1								1	86500	7.85	32.7

# NOTE

## Injectors for a device installed at an altitude above 2000 ft

BURNERS	GAS	ORIFICE SIZE (1/100) mm
SR	NATURAL (A)	117
R	NATURAL (A)	141
DCC	NATURAL (A)	185
DUAL	NATURAL (A)	74+215
P	NATURAL (A)	141
CDF	NATURAL (A)	108
SR	PROPANE (E)	74
R	PROPANE (E)	87
DCC	PROPANE (E)	112
DUAL	PROPANE (E)	43+130
P	PROPANE (E)	88
CDF	PROPANE (E)	62

### Safety Warnings - Thermostat

The cooker is fitted with a safety thermostat that stops the operation in case the oven temperature rises too high. Each oven has its own device. After the appliance has cooled down, it is possible to try to restart it (if the safety thermostat tripped) by manually resetting the contact. To perform the manual reset follow this procedure:

- First of all, disconnect the appliance from the mains by pulling the plug from the wall socket or switching OFF the bipolar switch in the house wiring.
- Open and remove the drawer under the ovens (pull outwards and lift), or remove the front panel (pull outwards to disengage the spring pins).
- Locate the safety thermostat, screwed to the chassis on the side and in backward position (for cookers with only one oven it is on the left side). See picture A
- Insert from underneath upwards the point of a sharp object (e.g. a pen) into the thermostat recess until a click is heard. See picture B
- Reassemble the drawer or the front panel and connect again the appliance to the mains.
- Check if the oven works. (If not, it is necessary to call the Customer Service).











