

UNC15NJII

15" Built-In Gourmet Clear Nugget Ice Maker

DIMENSIONS AND INSTALLATION INFORMATION (IN INCHES)

DIMENSIONS

H 33-7/8" - 34-7/8"

W 14-7/8"

D 22"

NOTE:

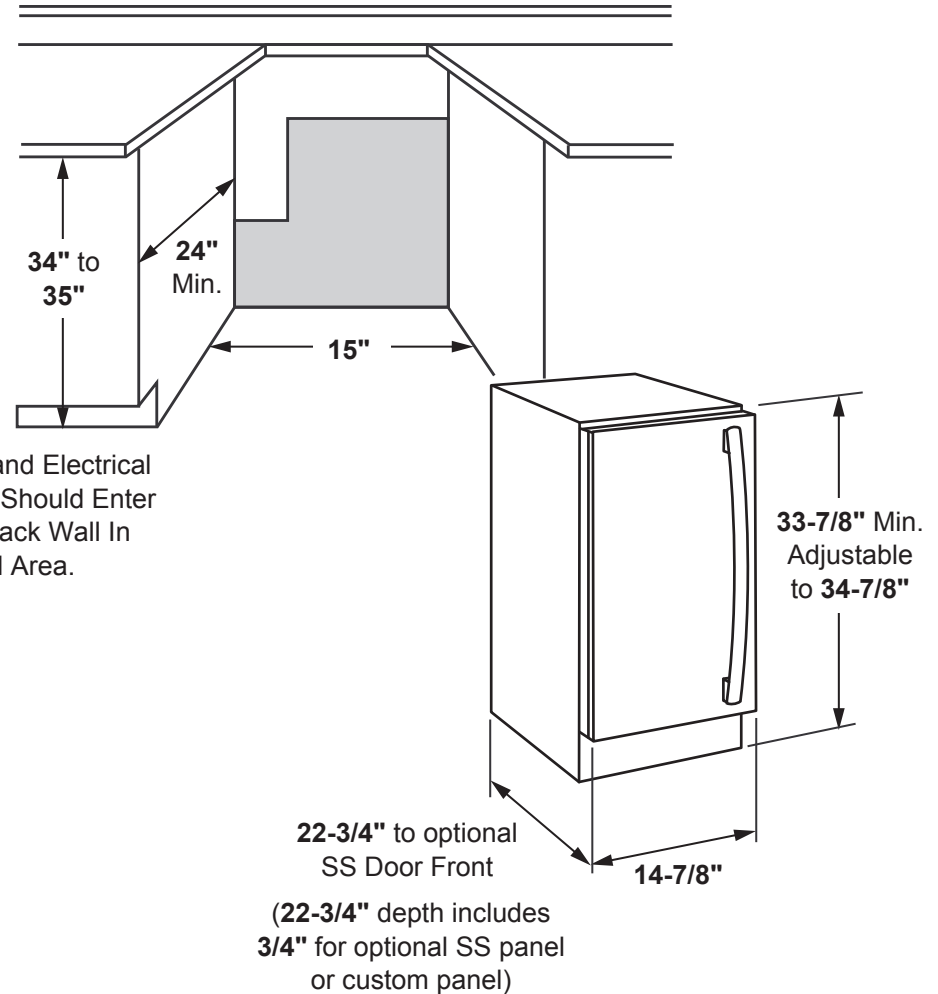
The finished cut-out is determined by the type of installation. Before installing, consult installation instructions packed with product for current dimensional data.

WARRANTY INFORMATION:

Limited one-year warranty, in-home service, parts and labor.*

Limited five-year warranty, parts and labor on the compressor, evaporator and all connecting tubing.*

*See written warranty for complete details.



For answers to your Monogram, GE Café™ Series, GE Profile™ Series or GE Appliances product questions, visit our website at geappliances.com or call GE Answer Center® Service, 800.626.2000.

UNC15NJII

15" Built-In Gourmet Clear Nugget Ice Maker

DIMENSIONS AND INSTALLATION INFORMATION (IN INCHES)

The ice machine can be used free-standing or as a built-in, under the countertop.

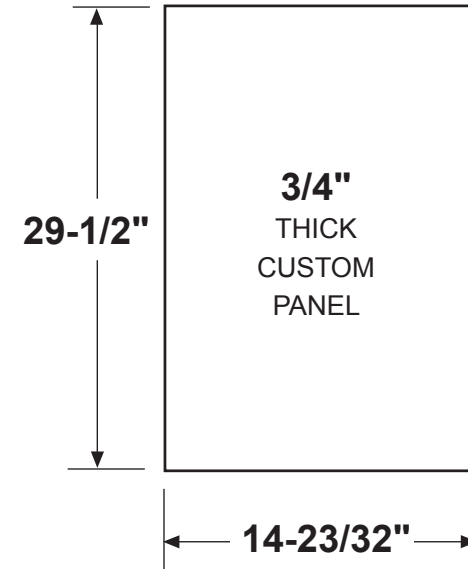
The ice machine requires a 115 Volt, 60 Hz., AC only power supply, with an individual, properly grounded branch circuit, protected by a 15 amp fuse or circuit breaker.

The ice machine is equipped with a gravity drain to prevent water from flowing back into the ice storage bin. Although a floor drain is acceptable, the ideal installation has a standpipe with a 2" to 1-1/2" pvc drain reducer installed directly below the outlet of the drain tube.

To achieve a custom appearance, the ice machine door accepts 3-4" custom panels (using ZIP80SS, stainless steel panel with Monogram Euro handle, or PIP70SS, stainless steel panel with GE Profile™ Series handle) to coordinate or contrast with cabinetry.

NOTE:

A drain pump is necessary when a floor drain is not available. Order UPK3 Drain Pump Kit or contact your local plumber for a recommended pump available in your area.



For answers to your Monogram, GE Café™ Series, GE Profile™ Series or GE Appliances product questions, visit our website at geappliances.com or call GE Answer Center® Service, 800.626.2000.

UNC15NJII

15" Built-In Gourmet Clear Nugget Ice Maker

FEATURES AND BENEFITS

High nugget ice production – Produces up to 80 pounds of ice per day

Large capacity ice bin – Holds 26 pounds of nugget ice and automatically shuts off when the bin is full

Interior LED lighting – Puts nugget ice in clear view

Free-standing or built-in capable

Clean indicator light – Alerts when it's time to clean the product

Ice scoop – Has a sturdy design that makes it easy to transfer nugget ice to glassware

Indoor or outdoor capable

Optional stainless steel door kits available

Optional drain pump kit available

Model UNC15NJIISS – Stainless steel

