

MAJESTIC II SERIES/UM096DQN
36" DUAL FUEL RANGE



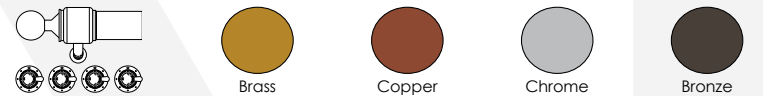
A synthesis of beauty and functionality, the Majestic II series provides a premier cooking experience. As the centerpiece of your kitchen, it boasts handcrafted details such as rounded lines, custom finishes, ergonomic design, and innovative technology, inspired by the professional cooking world.

Fuel Type..... **Dual Fuel**
 Gas Type..... **Liquid Propane or Natural Gas**

OVEN COLORS



TRIM*

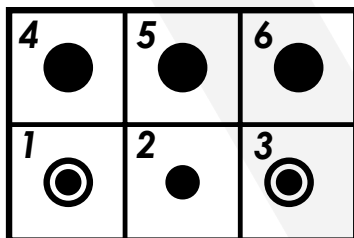


**Trim colors are available for every range color.*

FEATURES

Cooktop

| | |
|---------------------------------|--------------------------|
| Cooktop surface..... | Deep Recessed |
| Number of Burners/Elements..... | 6 |
| Gas Heat Configuration..... | Sealed Burners |
| Burner/ Element Fuel..... | Gas |
| Grate Type..... | Cast Iron |
| Cooktop Control Type..... | Knobs |
| Cooktop Control Location..... | Front |
| Burner Output No. 1..... | 20,000 BTU/ Dual Burner |
| Burner Output No. 2..... | 6,100 BTU/ Small Burner |
| Burner Output No. 3..... | 15,500 BTU/ Dual Burner |
| Burner Output No. 4..... | 10,500 BTU/ Large Burner |
| Burner Output No. 5..... | 10,500 BTU/ Large Burner |
| Burner Output No. 6..... | 10,500 BTU/ Large Burner |



Oven

| | |
|---------------------------|-----------------|
| Oven Fuel..... | Electric |
| Oven Door Type..... | Solid Door |
| Oven Type..... | Convection |
| Oven Cleaning Type..... | Self-Clean Mode |
| Oven Control Type..... | Display |
| Oven Control Place..... | Front |
| Oven Light(s)..... | 2 |
| Oven Light Type..... | LED |
| No. of Rack Holders..... | 5 |
| Rack Placement Type..... | Plain |
| Soft Close Door..... | Yes |
| Display..... | TFT Touchscreen |
| Broiler..... | Electric |
| Child Safety Lock..... | Yes |
| Timer..... | Yes |
| Built-in Thermostat..... | Yes |
| Internal Thermometer..... | Yes |

INCLUDED

| | | | |
|---------------------|-----|--------------------|-----|
| Range Hood..... | No | Oven Racks..... | 2 |
| Power Cord..... | Yes | Oven Trays..... | 1 |
| Grate..... | Yes | Rotisserie..... | 1 |
| Griddle..... | No | Gas Regulator..... | 1 |
| Legs..... | 4 | Manual..... | Yes |
| Backsplash..... | 1 | | |
| Conversion Kit..... | Yes | | |

POWER

| | |
|------------------------|--------------------|
| Voltage..... | 220 v |
| Amperage..... | 30 amps |
| Hertz..... | 60 (Hz) |
| Power Cord Length..... | 45 11/16" / 116 cm |
| Power Cord Type..... | Hard wire |

RECOMMENDED ACCESSORIES

| | |
|--------------------------|-----------|
| Toe Kick..... | APZ90140* |
| Wok Ring..... | A09234 |
| Steam Cooker Basins..... | G00202 |

MISCELLANEOUS

| | |
|-----------------------|------------------|
| Warranty Length..... | 2 years |
| Warranty Type..... | Limited |
| Actual Weight..... | 390 lbs / 176 kg |
| Product Material..... | Stainless Steel |

Available in all colors.

DIMENSIONS

RANGE

| | |
|------------------------------------|----------------------------|
| Range Width..... | 35 13/16" / 91 cm |
| Range Height without legs..... | 29 2/16" / 74 cm |
| Range Min. Height with legs..... | 34 4/16" / 87 cm |
| Range Max Height with legs..... | 34 4/16" / 87 cm |
| Range Depth..... | 26 6/16" / 67 cm |
| Backsplash Width..... | 35 13/16" / 91 cm |
| Backsplash Height..... | 2 6/16" / 6 cm |
| Backsplash Depth..... | 9/16" / 1.5 cm |
| Oven Handle Length..... | 28 15/16" / 73.5 cm |
| Oven Handle Depth over Range..... | 2 3/16" / 5.5 cm |
| Power from bottom..... | 11 7/16" / 29 cm |
| Power from right side..... | 8 4/16" / 21 cm |
| Gas connector from bottom..... | 4 12/16" / 12 cm |
| Gas connector from right side..... | 7 14/16" / 20 cm |

COOKTOP

| | |
|---|--------------------------|
| Cooktop Width..... | 35 13/16" / 91 cm |
| Cooktop Depth..... | 27 9/16" / 70 cm |
| Cooktop Height..... | 1 9/16" / 4 cm |
| Cooktop Front Lip Depth over Range..... | 0" / 0.3 cm |
| Cooktop Back Lip Depth over Range..... | 1 3/16" / 3 cm |

OVEN

| | |
|---|-------------------------|
| Oven Capacity..... | 3.5 cu. ft. |
| Oven Depth with Door Open 90°..... | 15 6/16" / 39 cm |
| Oven Interior Width (Actual)..... | 25" / 63.5 cm |
| Oven Interior Height (Actual)..... | 14 3/16" / 36 cm |
| Oven Interior Depth (Actual)..... | 16 2/16" / 41 cm |
| Oven Interior Width (Usable)..... | 23 4/16" / 59 cm |
| Oven Interior Height (Usable)..... | 14 3/16" / 36 cm |
| Oven Interior Depth (Usable)..... | 16 2/16" / 41 cm |
| Height between Rack Plates..... | 1 9/16" / 4 cm |
| Height between lowest and highest rack..... | 7 14/16" / 20 cm |

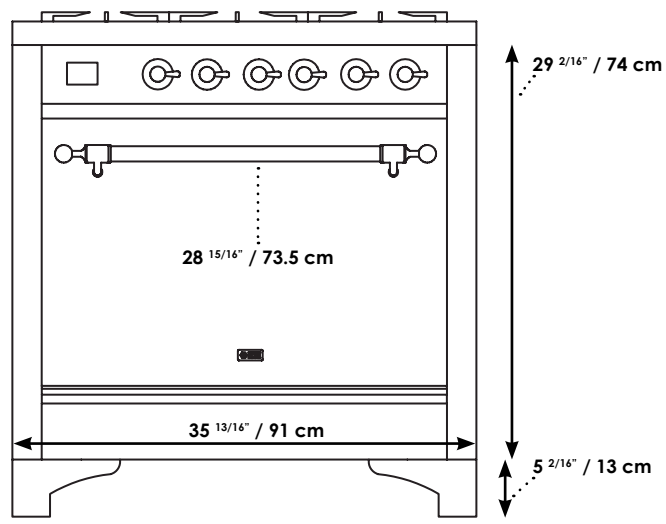
STORAGE

| | |
|-------------|----------------------------|
| Type..... | Warming |
| Width..... | 26 15/16" / 68.5 cm |
| Height..... | 2 12/16" / 7 cm |
| Depth..... | 16 15/16" / 43 cm |

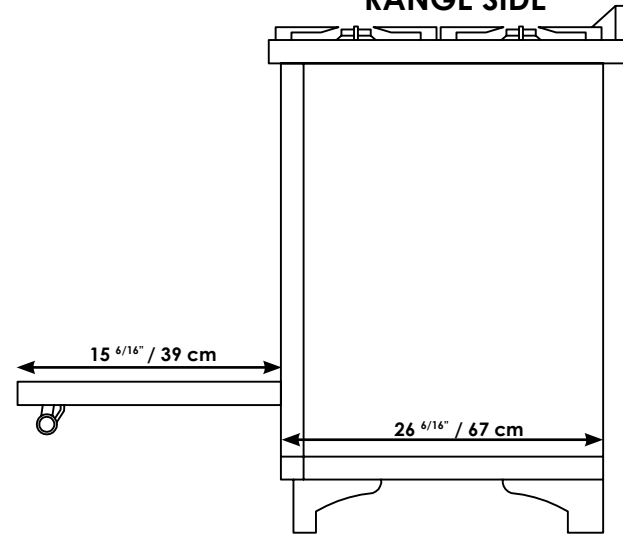
LEGS

| | |
|--|------------------------|
| Range Leg Type..... | Plinth |
| Range Leg Number..... | 4 |
| Adjustable Range Legs..... | No |
| Levelable Range Legs..... | Yes |
| Range Leg Min. Height..... | 5 2/16" / 13 cm |
| Range Leg Max. Height..... | 5 2/16" / 13 cm |
| Space Between Leg and Range (Side)..... | 0" / 0 cm |
| Space Between Leg and Range (Front)..... | 1 15/16" / 5 cm |
| Space Between Leg and Range (Back)..... | 0" / 0 cm |

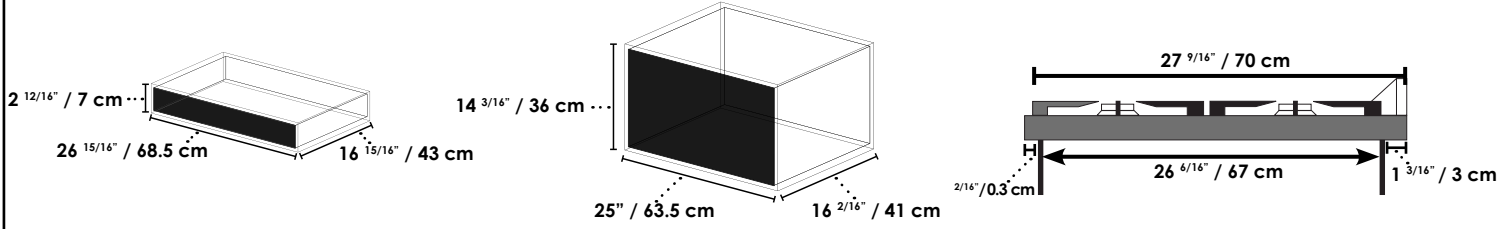
RANGE FRONT



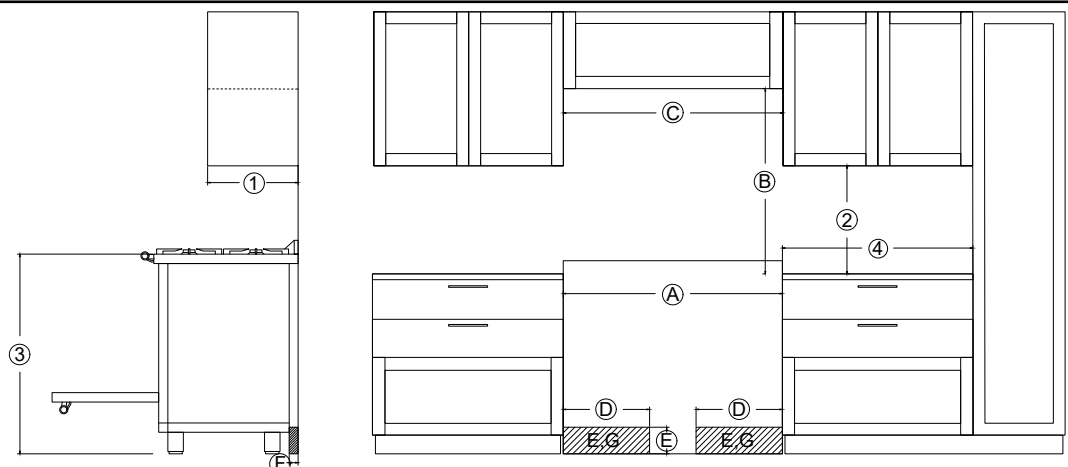
RANGE SIDE



Main Oven Capacity: 3.5 cu. ft.*



*Usable space differs from Actual space due to the rack placements and rotisserie.
*Oven Capacity's cubic feet is manufacturer's measurement prior to installation of broiler, oven racks, and convection fan.



THE SHADED AREA REPRESENTS THE INSTALLATION AREA FOR THE CONNECTIONS;
E ; ELECTRIC CONNECTION
G ; GAS

| DIMENSIONS | DESCRIPTION |
|------------|---|
| 1 | 13" (330 mm) Maximum depth of top cabinet |
| 2 | 18" (547 mm) Minimum distance to bottom edge of top cabinet |
| 3 | 35 1/2"-37" (901-940 mm) Distance from the floor to cooktop surface |
| 4 | 12" Minimum distance from cooktop surface |
| A | 35 13/16" (91 cm) Width of cabinet opening |
| B | 30" (762mm) Minimum distance between the top of the cooking area and bottom of an unprotected combustible surface |
| C | 35 13/16" (91 cm) Width of the hood area |
| D | Approx. 10 13/16" (274mm) Maximum connection with right and left |
| E | Approx. 4 1/8" (115mm) Maximum connection height |
| F | Approx. 2 13/16" (72mm) Maximum connection depth |