



Stainless

Overlay

3024RF

3000 SERIES

FEATURES

PERFORMANCE

- U-Select™ Control: Integrated OLED display with intuitive user interface ergonomically located on top of door
- Digitally controlled single-zone convection cooling system
- Refrigeration capacity of 4.8 cubic feet
- U-Select™ Control provides 5 distinct settings designed to provide precise refrigeration and maximize preservation
- Default temperature settings of Deli Mode: 36° F, Market Mode: 38° F, Pantry Mode: 42° F, Root Cellar Mode: 50° F, Beverage Mode: 38°
- Zone settings are designed to help produce last longer and taste better
- Sabbath / Blackout mode turns off all lighting, controls display until unit is easily reset by touching the On/Off button
- UL Residential Listing

INTERIOR / EXTERIOR

- Three full-extension, slide-out drawer bins provide quick, easy access and viewing of all items stored
- Lower drawer bin fits 2 one-gallon containers with additional space for more storage
- All drawer bins are removable for easy cleaning and are designed to maximize various types of storage
- Black interior with LED theater lighting located on side interior provides excellent lighting to all bins
- Durable Delrin feet on leveling legs glide easily on floor and reduce potential scratching

INTEGRATION

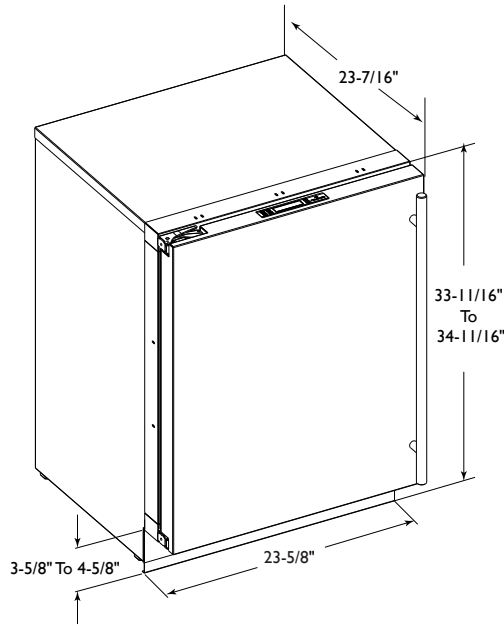
- Standard commercial stainless steel handle is interchangeable with professional handle option
- Adjustable toe-kick - front to back and up and down allows for seamless installation
- Front adjustable rear leveling legs greatly eases installation
- Allow a 2-1/2" clearance on hinged side for 90° door opening when installed adjacent to a wall (for stainless steel model)
- Allow 1/4" width overall for proper installation (see backside for details)
- No additional clearance around sides, top or rear of unit is needed for ventilation



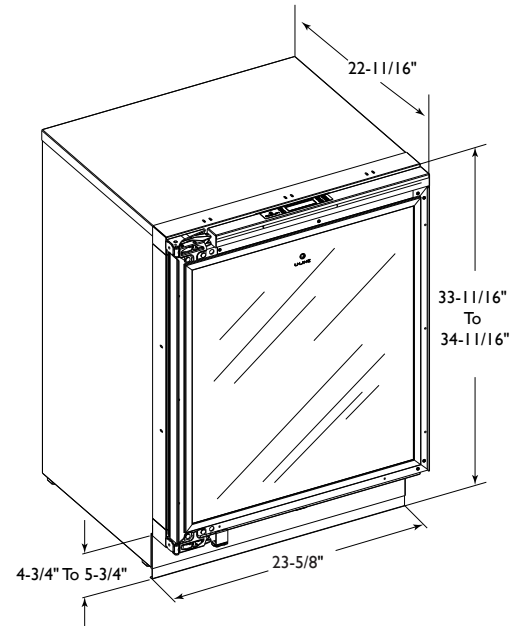
Market mode has a temperature range between 34° F and 40° F with a set point of 38° F which is ideal for those who enjoy fresh produce with just picked ripeness; this mode is ideal for most fruits, vegetables, berries and leafy greens



Single Zone Convection Cooling System featured in 3024RF



3024RFS Stainless Model



3024RFOL Overlay Model

DIMENSIONS AND SPECIFICATIONS

OVERALL DIMENSIONS

Height	33-9/16" (85.2)
Width	23-5/8" (60)
Depth	23-7/16" (59.5)
With stainless steel handle	25-5/16" (64.3)

Shipping weight:

Stainless Model	147 lbs (67 kg)
Overlay Model	140 lbs (63 kg)

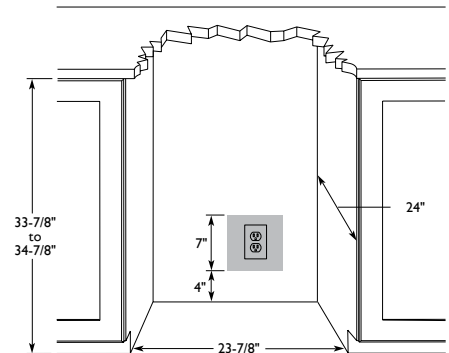
Running amps	2.4
Amps pertain to voltage rating	110/115 volt, 60 Hz

Capacities:

Refrigerator volume	4.8 Cu Ft
---------------------	-----------

3024RF

Stainless Right-hand	U-3024RFS-00
Stainless Left-hand	U-3024RFS-01
Overlay Right-hand	U-3024RFOL-00
Overlay Left-hand	U-3024RFOL-01



Please visit www.u-line.com for installation guide.

All specifications are subject to change without notice.

