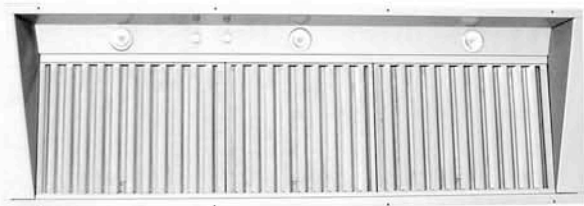


PRESTIGE®

POWERPACK VENTILATION INSERTS



Features

- Commercial Grade 304 SS Construction
- Variable Fan Control
- Halogen Lamps with Dimmer Control
- Dishwasher Safe SS Baffle Filters.
- Quiet Performance
- Large Filtered Capture Area
- Perfect Solution for a Custom Wood Hood, Mantle, Arch, Alcove, or Stucco Formed Hood.

Accessories

- Wall Switch Kit
- Duct Free Kit for S1 Models Only



Stainless Steel
Wall Switch



Duct Free Kit
Carbon Filters

Available Models

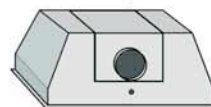
Model	Dimensions	Lights	CFM	Discharge
UIB28-S1	28"W x 15"D x 14"H	2	600	Top / Rear
UIB34-S1	34"W x 15"D x 14"H	2	600	Top / Rear
UIB34-S2	34"W x 15"D x 14"H	2	1200	Top / Rear
UIB40-S2	40"W x 15"D x 14"H	2	1200	Top / Rear
UIB46-S2	46"W x 18"D x 14"H	3	1200	Top / Rear
UIB52-S2	52"W x 18"D x 14"H	3	1200	Top / Rear
UIB58-S2	58"W x 18"D x 14"H	3	1200	Top / Rear

Electrical Requirements

15 amps at 120 volts
Light Bulbs are PAR 16-60 watt halogen
Bulbs are operated by a dimmer switch

Blower Options

S1 Configuration 600 CFM Top or Rear Exhaust
S2 Configuration 1200 CFM top or Rear Exhaust

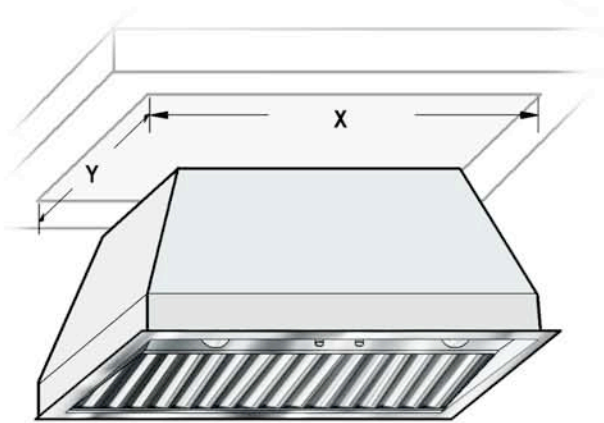
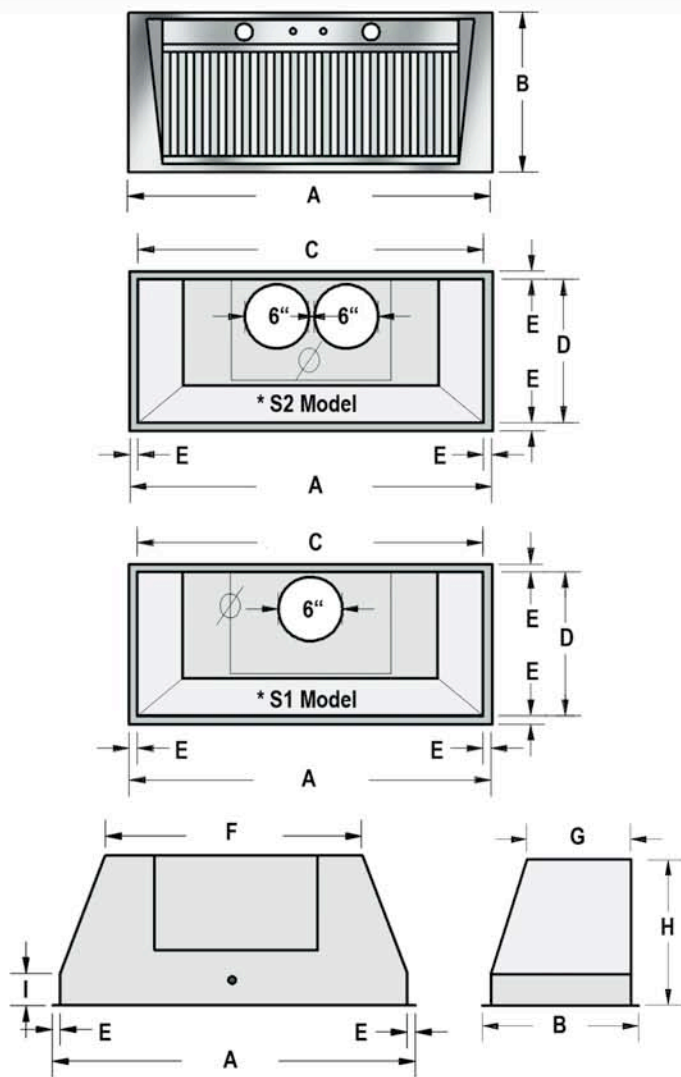


*UIB22-S1 IS TOP ONLY

* S2 Models require a transition.

PRESTIGE®

POWERPACK VENTILATION INSERTS



Cutout Dimensions in inches

Model #	X	Y
UIB28-S1	25 1/8	13 5/8
UIB34-S1	31 1/8	13 5/8
UIB34-S2	31 1/8	13 5/8
UIB40-S2	37 1/8	16 5/8
UIB46-S2	44 5/8	16 5/8
UIB52-S2	50 5/8	16 5/8
UIB58-S2	56 5/8	16 5/8

For Use with Custom Wood Hoods, Mantles, Arches, Alcoves, and Stucco Formed Hoods.

Electrical Connection is located on back of unit.

UIB-S inserts accept an internal blower in either top or rear exhaust configurations.

A UIB-S1 Model Inserts comes with a 600 CFM Internal Blower.

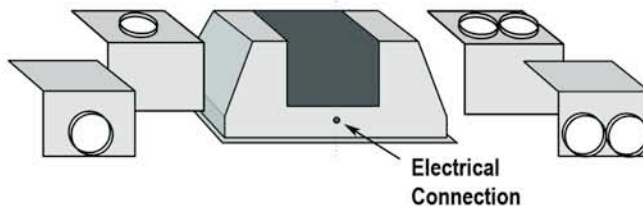
A UIB-S2 Model Inserts comes with a 1200 CFM Internal Blower.

S2 Models featuring the 1200 CFM configuration require a transition for proper venting.

Insert Specifications in inches

Model #	A	B	C	D	E	F	G	H	I
UIB28-S1	28	15	25	13 1/2	3/4	18	10	14	3
UIB34-S1	34	15	31	13 1/2	3/4	24	10	14	3
UIB34-S2*	34	15	31	13 1/2	3/4	24	10	14	3
UIB40-S2*	40	15	37	13 1/2	3/4	30	10	14	3
UIB46-S2*	46	18	44 1/2	16 1/2	3/4	20	10	14	3
UIB52-S2*	52	18	50 1/2	16 1/2	3/4	26	10	14	3
UIB58-S2*	58	18	56 1/2	16 1/2	3/4	32	10	14	3

* requires Transition



Specifications subject to change without notice based on product improvements.
For installation, use and care, and wiring information please visit www.prestige-america.com