

CO1224F

24" Combo® Model



FEATURES & BENEFITS



STAINLESS SOLID



INTEGRATED SOLID



BLACK SOLID



WHITE SOLID

PERFORMANCE

- Volume of 4.2 cu ft holds up to 61 bottles (12 oz) or 114 cans (12 oz)
- Digital Touch Pad Control is conveniently located on upper face of unit
- Refrigerator temperature range: 34°F - 45°F
- Passive cooling system
- Produces and stores up to 8 lbs of ice per day
- Crescent ice cube dimensions: 1/2" W x 3/4" H x 2 1/4" L
- Patented frost-free technology

INTERIOR/EXTERIOR

- White interior is illuminated with LED lighting
- Three removable tempered glass shelves
- Stainless steel handle (7/8" diameter)
- No drain required
- Door swing is field reversible, and is shipped right-hand hinged

INTEGRATION

- Unit is designed to be built-in or can be freestanding with the freestanding accessory kit
- Integrated model requires 3/4" custom door panel (panels not supplied by U-Line)
- Four independently adjustable leveling legs provide a precise undercounter fit
- Available in the following finishes: Stainless, Integrated, Black, or White

MODEL DETAILS

Model	Voltage/Hz	Door Swing	Finish	Shipping Weight
U-CO1224FS-00B	115 / 60	Field Reversible	Stainless Solid	129 lb
U-CO1224FINT-00B	115 / 60	Field Reversible	Integrated Solid	126 lb
U-CO1224FB-00B	115 / 60	Field Reversible	Black Solid	129 lb
U-CO1224FW-00B	115 / 60	Field Reversible	White Solid	129 lb

ACCESSORIES

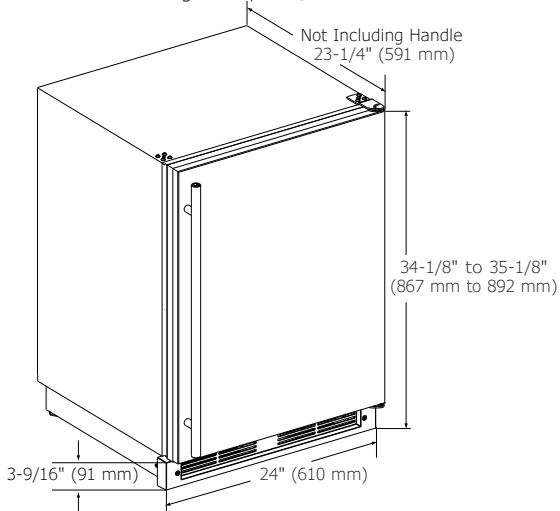
Model	Description	Finish	Shipping Weight
ULAFREESTANDB	Freestanding Kit	Black	3 lb
ULAWATERHOOKUP	Braided Water Supply Line Kit	N/A	2 lb

CO1224F

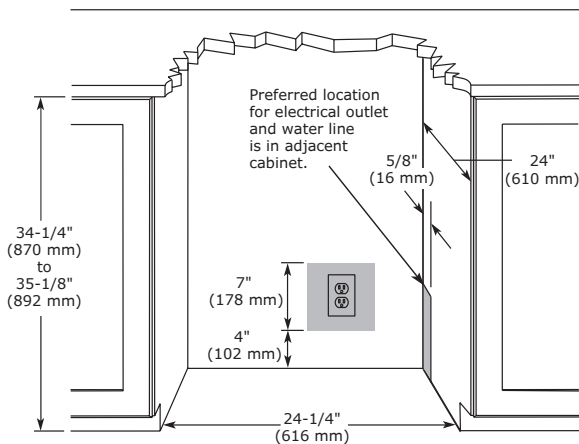
24" Combo® Model

DIMENSIONS

Dimensions shown apply to all finishes, including Integrated (INT) models with 3/4" integrated panel/frame installed.



CABINET CUT-OUT



INSTALLATION NOTES

When installing adjacent to wall, ensure 2 1/2" clearance on hinged side for 90° door opening, allowing ample room for door handle.

Cutout includes the additional 1/4" width overall to ensure proper installation.

No additional clearance around sides, top or rear of unit is needed for ventilation.

Do not obstruct front grille air flow.

SPECIFICATIONS

Model	CO1224F
Amps: Running	2.4
Capacity: Bottle (12 oz)	61
Capacity: Can (12 oz)	114
Capacity: Refrigerator Volume (cu ft)	4.2
Control Type	Digital Touch Pad
Defrost Type	Frost Free
Dimensions: Product Depth	23 1/4" / 591 mm
Dimensions: Product Height	34 1/8" / 867 mm
Dimensions: Product Width	24" / 610 mm
Energy Consumption: Avg. Per Year	579 kWh
ENERGY STAR	No
Ice Production Per Day	8 lb
Ice Storage	8 lb
Panel Height	30 1/4" / 768 mm
Panel Thickness	3/4" / 20 mm
Panel Type	Solid Panel
Panel Width	23 3/4" / 603 mm
Product Weight: Max	119 lb
Refrigerant Type	R134A
Sabbath (Star K Certified)	Yes
Temperature Range	34°F - 45°F

ELECTRICAL REQUIREMENTS

This unit requires a grounded, polarized 115 VAC, 60 Hz, 15 A power supply (normal household current).



Please visit u-line.com to view this model's User Guide & Service Manual. All Specifications are subject to change without notice.