



Undercounter Ice Machine Use & Care Guide



## Contents

- 4 Ice Machine Features
- 5 Operation
- 6 Care Recommendations
- 10 Water Filtration System Data
- 12 Troubleshooting
- 14 Sub-Zero Warranty

## CALIFORNIA PROPOSITION 65

**⚠ WARNING**

This product may contain chemicals known to the state of California to cause cancer or reproductive harm.

## Customer Care

The model and serial number are printed on the enclosed product registration card. Both numbers are also listed on the product rating plate. Refer to page 4 for rating plate location. For warranty purposes, you will also need the date of installation and name of your authorized Sub-Zero dealer. Record this information below for future reference.

If your product ever needs attention, be sure to use a Sub-Zero factory certified service provider recommended by our customer care center, or select one from our list of providers available at [subzero.com/locator](http://subzero.com/locator). All factory certified service providers are carefully selected and thoroughly trained by us.

### SERVICE INFORMATION

Model Number
Serial Number
Date of Installation
Certified Service Name
Certified Service Number
Authorized Dealer
Dealer Number

## Important Note

To ensure this product is installed and operated as safely and efficiently as possible, take note of the following types of highlighted information throughout this guide:

**IMPORTANT NOTE** highlights information that is especially important.

**CAUTION** indicates a situation where minor injury or product damage may occur if instructions are not followed.

**WARNING** states a hazard that may cause serious injury or death if precautions are not followed.

**IMPORTANT NOTE:** Throughout this guide, dimensions in parentheses are millimeters unless otherwise specified.

## Thank You

Thank you for your purchase. We look forward to being part of your home for decades to come. As a third-generation family-owned company, we take a very personal stake in the preservation of your family's food. We built our business and our reputation on helping families serve the freshest food possible.

With your purchase, you receive one of the strongest warranties in the appliance industry. Take a moment to read the full warranty statement on pages 14–15. It's also important to register your Sub-Zero to ensure that you don't miss out on exclusive owner benefits, such as; assurance that you will be taken care of in the unlikely event that service becomes necessary during the warranty period, and a proof-of-purchase record in case of a home insurance claim. You may register by one of the following options:

- Mail in the completed Sub-Zero product registration card.
- Register online at [subzero.com/register](https://subzero.com/register) and create a personalized My Sub-Zero/Wolf account using the serial number on your product.
- Register by phone by calling Sub-Zero Customer Care at 800-222-7820.

As a Sub-Zero owner, you can count on ongoing support, day in and day out. Our customer care center is available 24 hours a day, seven days a week and staffed by knowledgeable product experts at our factory in Madison, Wisconsin. Should the need arise, simply call 800-222-7820 and speak with one of our product experts. They will help troubleshoot any issues you might have.

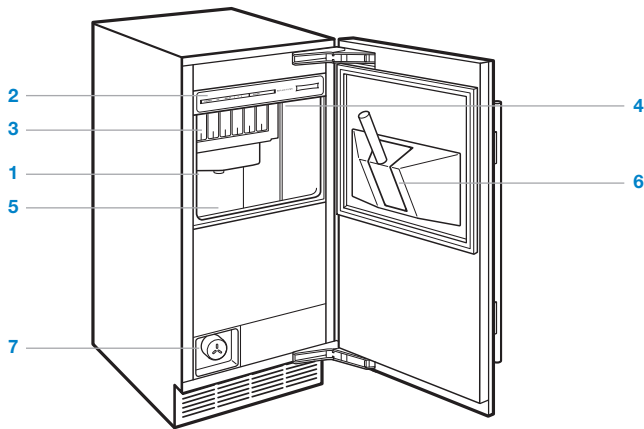
We are confident this guide will answer your questions about the features, operation, and maintenance of your Sub-Zero, but if you have additional questions, please contact us at 800-222-7820 or visit us online at [subzero.com](https://subzero.com).



## Ice Machine Features

### FEATURES

1	Product Rating Plate
2	Control Panel
3	Water Shutters
4	Automatic Ice Maker
5	Large-Capacity Ice Storage Bin
6	Ice Scoop
7	Water Filter

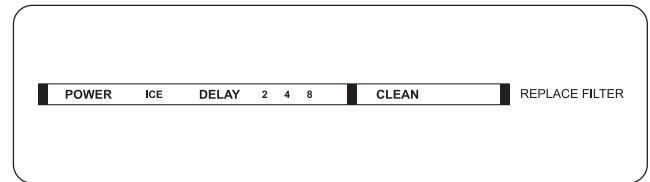


Ice machine.

## Control Panel

### FUNCTION

<b>POWER</b>	Touch to turn the unit on or off. 'POWER' will illuminate green when the ice machine is on.
<b>ICE</b>	'ICE' will illuminate blue when the unit is in ice making operation.
<b>DELAY</b>	Touch once to initiate a 2-hour delay in ice production, touch a second time for a 4-hour delay and a third time for an 8-hour delay. The corresponding number will illuminate indicating the delay period. Touch a fourth time to cancel.
<b>CLEAN</b>	Touch to initiate the cleaning cycle. 'CLEAN' will illuminate green during the cleaning cycle and will flash to signal time to add cleaner and sanitizer.
<b>REPLACE FILTER</b>	When the unit completes 8000 ice making cycles, 'REPLACE FILTER' will illuminate red to indicate the water filter needs to be replaced. Touch and hold 'CLEAN' for 6 seconds to reset the indicator.



Control panel.



## Operation

### PRIOR TO USE

Clean the ice machine thoroughly with warm water and mild detergent. Rinse and dry with a soft cloth to remove any residual oil and grease left from the manufacturing process. Refer to care recommendations on page 6.

All surfaces that come in contact with the water system should be cleaned and sanitized prior to use. Refer to the cleaning and sanitizing procedure on page 7. Use only the cleaner and sanitizer made for the Sub-Zero ice machine.

Ice machine cleaner and sanitizer can be ordered online at [subzerowolfstore.com](http://subzerowolfstore.com). For questions, contact Sub-Zero customer care at 800-222-7820.

### ICE PRODUCTION CYCLE

Depending on ambient conditions and water temperature, one ice production cycle takes approximately 30 minutes.

- 1 Water fill cycle.** The water inlet valve purges old water from the system.
- 2 Refrigeration system start-up.** The compressor starts after the water fill cycle and remains on throughout the freeze and harvest cycles. The condenser fan motor starts and runs throughout the freeze cycle.
- 3 Freeze cycle.** Water is sprayed into the inverted cups. The water freezes layer by layer until an ice cube forms in each cup. The control system adjusts the length of the freeze cycle to conditions.
- 4 Harvest cycle.** The evaporator warms, allowing the cubes to be released and drop into the storage bin. The control system adjusts the length of the harvest cycle to conditions. At the end of the harvest cycle, another freeze cycle begins.
- 5 Automatic shut-off.** The level of ice in the storage bin controls the automatic shut-off. When the bin is full, ice will contact the bin thermostat, which cools, signaling ice production to stop. When the ice level drops and ice no longer contacts the bin thermostat, it will warm, signaling ice production to resume.

### CUBE WEIGHT

Cube weight increases or decreases depending on the amount of dimple, or depression in the octagonal-shaped ice cube. Cube weight can be adjusted by increasing the freeze time.

#### To adjust cube weight:

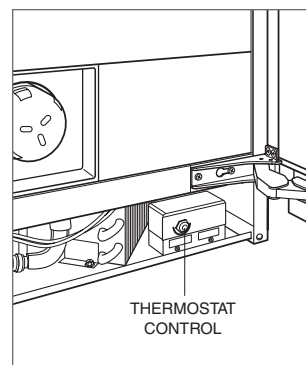
- 1** Touch and hold 'POWER'.
- 2** Touch and release 'CLEAN' once to add one minute of freeze time. Inspect the cubes after several production cycles and repeat if a heavier cube is desired. Up to five minutes of additional freeze time can be added.
- 3** Touch 'CLEAN' six times to reset freeze time to the factory setting.

### ICE LEVEL

A thermostat in the ice storage bin signals ice production to stop when the bin is full. If ice production stops before the bin is full or continues after the bin is full, the ice level can be adjusted. The thermostat control is located behind the kickplate. Refer to the illustration below.

#### To adjust ice level:

- 1** Remove the kickplate to access the thermostat control.
- 2** Turn the control to the left to decrease the level of ice or to the right to increase the level.



Ice level adjustment.

### Interior Lighting

Interior lighting is located at the top of the ice storage bin. To replace the light bulb, unscrew from the socket and install a 25-watt replacement bulb.

#### **⚠ CAUTION**

Turn power off at the control panel before replacing light bulbs. Wear protective gloves when handling bulbs.

### Cleaning

#### **INTERIOR CLEANING**

To clean interior surfaces and all removable parts, wash with a mild solution of soap, water and baking soda. Rinse and dry thoroughly. Avoid getting water on lights and control panel.

#### **⚠ CAUTION**

Do not use vinegar, rubbing alcohol or other alcohol-based cleaners on any interior surface.

#### **STAINLESS STEEL EXTERIOR**

Use a nonabrasive stainless steel cleaner and apply with a soft lint-free cloth. To bring out the natural luster, lightly wipe surface with a water-dampened microfiber cloth followed by a dry polishing chamois. Always follow the grain of stainless steel.

## Cleaning

### CLEANING AND SANITIZING

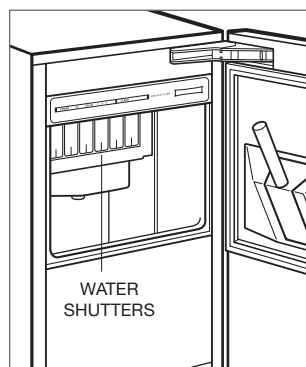
All surfaces that come in contact with the water system should be cleaned and sanitized prior to use and every six months using the following procedure. Use only the cleaner and sanitizer made for the Sub-Zero ice machine.

Ice machine cleaner and sanitizer can be ordered online at [subzerowolfstore.com](http://subzerowolfstore.com). For questions, contact Sub-Zero customer care at 800-222-7820.

**IMPORTANT NOTE:** Poor water quality may require more frequent cleaning and sanitizing. Consult a qualified professional to test water quality and recommend appropriate water treatment.

### Cleaning and sanitizing procedure:

- 1 Touch 'CLEAN'. A two-minute harvest cycle will remove any remaining ice from the evaporator.
- 2 Remove all ice from the storage bin.
- 3 Wait three minutes until the CLEAN light flashes, then lift the water shutters and pour 4 ounces (115 ml) of undiluted ice machine cleaner directly into the spray area. Refer to the illustration below.
- 4 A 10-minute cleaning cycle begins, followed by eight rinse cycles. When the process is complete, the CLEAN light will no longer be illuminated. The entire cleaning cycle takes approximately 30 minutes.
- 5 Touch 'CLEAN'. Wait three minutes until the CLEAN light flashes, then lift the water shutters and pour 1 tablespoon (15 ml) of undiluted ice machine sanitizer directly into the spray area.
- 6 A 10-minute sanitizing cycle begins, followed by eight rinse cycles. When the process is complete, the CLEAN light will no longer be illuminated. The entire sanitizing cycle takes approximately 30 minutes.



Water shutters location.

## Cleaning

### CONDENSER CLEANING

**⚠ CAUTION**

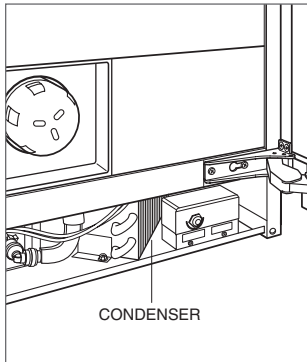
Before cleaning the condenser, turn power off at the control panel. Wear gloves to avoid injury from sharp condenser fins.

The condenser is located behind the kickplate. To access, remove the kickplate. Use a soft bristle brush and vacuum to remove dust and lint from the condenser. Clean the condenser every six months. Refer to the illustration below.

**IMPORTANT NOTE:** To avoid damaging condenser fins, vacuum in the direction of the fins.

**⚠ CAUTION**

Failure to clean the condenser could result in temperature loss, mechanical failure or damage.



Condenser location.

## Maintenance

### WATER FILTER REPLACEMENT

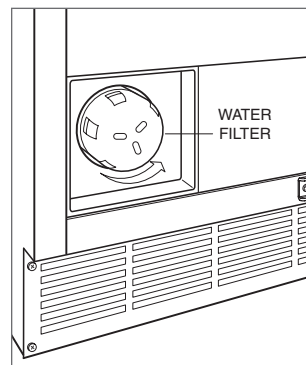
The water filter should be replaced every six months, after a prolonged shutdown or after 8000 ice making cycles. 'REPLACE FILTER' will illuminate on the control panel indicating the water filter needs to be replaced. The ice machine bypasses the filter when it is removed, so the water supply does not need to be turned off.

Replacement Sub-Zero water filters can be ordered online at [subzerowolfstore.com](http://subzerowolfstore.com). For questions, contact Sub-Zero customer care at 800-222-7820.

**IMPORTANT NOTE:** Poor water quality may require more frequent water filter replacement.

To replace water filter:

- 1 To remove the water filter, rotate one-quarter turn counterclockwise and the filter will pop out. Refer to the illustration below.
- 2 Reverse the process to install the new filter.
- 3 Touch and hold 'CLEAN' for 6 seconds to reset the indicator.



Water filter location.



### Maintenance

#### PROLONGED SHUTDOWN

If the ice machine is to be removed from service for an extended period or exposed to temperatures of 32°F (0°C) or below, follow the procedure for prolonged shutdown and winterization.

##### Prolonged shutdown and winterization procedure:

- 1 Perform the cleaning and sanitizing procedure on page 7 to prevent mildew growth.
- 2 Disconnect electrical power at the circuit breaker or service panel.
- 3 Turn off the water supply.
- 4 Remove water from the water reservoir.
- 5 Disconnect the incoming water supply line at the rear of the unit and allow it to drain.
- 6 Disconnect the vinyl hose from the water pump and allow it to drain.
- 7 Verify water is not trapped in any of the water supply or drain lines. Compressed air can be used to blow out the lines.
- 8 Use a spray bottle with a solution of 1 tablespoon (15 ml) sanitizer to 1 gallon (3.8 L) water and spray all interior surfaces. Do not rinse, allow it to air dry.
- 9 Block the door partially open to provide air exchange and prevent mildew growth.

SUB-ZERO WATER FILTRATION SYSTEM MODEL 56145 (REPLACEMENT CARTRIDGE 7012333)



System tested and certified by NSF International against NSF/ANSI Standard 42 for the reduction of Chlorine Taste and Odor, Particulate Class III.

These systems have been tested according to Standard NSF/ANSI 42 for the reduction of the substances listed below. The concentration of the indicated substances in water entering the system was reduced to a concentration less than or equal to the permissible limit for water leaving the system as specified in NSF/ANSI 42.

CONTAMINANT REDUCTION DETERMINED BY NSF TESTING

Contaminant Reduction	Average Influent Concentration	Influent Challenge Concentration— Units apply to each row	Average Product Water Concentration	Average % Reduction	NSF Reduction Requirements	NSF Test
Particulate Class III Particle size: >5 to <15 um	6533	At least 10,000 particles/ml	1479	97.7	≥ 85%	516550-05
Chlorine, Taste and Odor	2.1	2.0 mg/L ± 10%	0.27	87.1	≥ 50%	516549-05

APPLICATION GUIDELINES | WATER SUPPLY PARAMETERS

For cold water use only.

Capacity: 2,800 gallons (10,600 liters) depending on local water conditions

Service flow: 0.75 gpm (2.84 lpm)

Water supply: Community or private well

Water pressure: 25–125 psi (172–862 kPa)

Water temperature: 35°F–100°F (1.7°C–38°C)

SPECIAL NOTES

- It is essential that operational, maintenance and filter replacement requirements be carried out for this product to perform as advertised. Change cartridges every 6 months. Use replacement cartridges 7012333.
- Do not use with water that is microbiologically unsafe or of unknown quality without adequate disinfection before or after the system.
- Systems must be installed and operated in accordance with manufacturer’s recommended procedures and guidelines.
- Note that while the testing was performed under standard laboratory conditions, actual performance may vary.

Manufactured for: Sub-Zero, Inc., P.O. Box 44848, Madison, WI 53744, 800-222-7820

WATER FILTER CARTRIDGE LIMITED WARRANTY

Sub-Zero will repair or replace any filter cartridge which proves to be defective in materials or workmanship for a period of one year from the date of purchase. The warranty does not cover routine replacement due to normal use. For warranty claims, call 800-222-7820.

The warranty applies only to products installed in any one of the fifty states of the United States, the District of Columbia or the ten provinces of Canada. This warranty does not cover any parts or labor to correct any defect caused by local poor water quality, negligence, accident or improper use, maintenance, installation, service or repair.

The remedies described above for each warranty are the only ones that Sub-Zero will provide, either under these warranties or under any warranty arising by operation of law. Sub-Zero will not be responsible for any consequential or incidental damages arising from the breach of these warranties or any other warranties, whether express, implied or statutory.

Some states do not allow the exclusion or limitation of incidental or consequential damages, so the above limitation or exclusion may not apply to you. This warranty gives you specific legal rights and you may also have other legal rights, which vary from state to state.

State of California  
Department of Public Health  
Water Treatment Device  
Certificate Number  
05- 1708  
Date Issued: April 18, 2010

---

---

**Trademark/Model Designation**

Sub-Zero 4290510

**Replacement Elements**

4204490

---

---

**Manufacturer:** 3M Purification Inc.

The water treatment device(s) listed on this certificate have met the testing requirements pursuant to Section 116830 of the Health and Safety Code for the following health related contaminants:

**Microbiological Contaminants and Turbidity**

Cysts  
Turbidity

**Inorganic/Radiological Contaminants**

Asbestos  
Lead  
Mercury

**Organic Contaminants**

Atrazine  
Benzene  
Carbofuran  
Lindane  
p-dichlorobenzene  
Toxaphene

---

---

**Rated Service Capacity:** 750 gals

**Rated Service Flow:** 0.78 gpm

**Conditions of Certification:**

Do not use where water is microbiologically unsafe or with water of unknown quality, except that systems certified for cyst reduction may be used on disinfected waters that may contain filterable cysts.

### Troubleshooting

#### UNIT OPERATION

##### Ice machine does not operate.

- Verify power is on.
- Verify electrical power to ice machine and home circuit breaker is on.

##### Ice machine operates, but no ice is produced.

- Verify connection to water supply.
- Verify water filter is not clogged. Replace water filter, then follow cleaning and sanitizing procedure on page 7.
- Verify spray nozzles are not blocked. Follow cleaning and sanitizing procedure on page 7.
- Verify water pressure at 20 psi (1.4 bar) to 80 psi (5.5 bar).
- Verify bin thermostat adjustment, refer to page 5.
- Verify ambient air temperature between 50°F (10°C) and 100°F (40°C) for indoor model and between 50°F (10°C) and 110°F (45°C) for outdoor model.

##### Unit requires frequent cleaning and sanitizing.

- Consult a qualified professional to test water quality and recommend appropriate water treatment.
- Contact Sub-Zero factory certified service to disassemble unit and thoroughly clean and sanitize.

#### ICE PRODUCTION

##### Low ice production.

- Clean condenser area, refer to page 8.
- Verify connection to cold water supply.
- Verify water filter is not clogged. Replace water filter, then follow cleaning and sanitizing procedure on page 7.
- Verify operation of water inlet valve.
- Verify ambient air temperature between 50°F (10°C) and 100°F (40°C) for indoor model and between 50°F (10°C) and 110°F (45°C) for outdoor model.
- Contact Sub-Zero factory certified service if unresolved.

##### Poor ice quality, cubes are shallow, incomplete or white.

- Follow cleaning and sanitizing procedure on page 7.
- Replace water filter, refer to page 8.
- Adjust cube weight, refer to page 5.
- Verify water softener is working properly (if applicable).
- Consult a qualified professional to test water quality and recommend appropriate water treatment.
- Contact Sub-Zero factory certified service to disassemble unit and thoroughly clean and sanitize.

### Troubleshooting

#### SERVICE

- Maintain the quality built into your product by contacting Sub-Zero factory certified service. For the name of the nearest Sub-Zero factory certified service, check the contact & support section of our website, [subzero.com](http://subzero.com) or call Sub-Zero customer care at 800-222-7820.
- When contacting service, you will need the model and serial number of your unit. Both numbers are listed on the product rating plate. Refer to page 4 for rating plate location.
- For warranty purposes, you will also need the date of installation and name of your authorized Sub-Zero dealer. This information should be recorded on page 2.

## Sub-Zero Residential Limited Warranty

FOR RESIDENTIAL USE

### FULL TWO YEAR WARRANTY\*

For two years from the date of original installation, this Sub-Zero product warranty covers all parts and labor to repair or replace, under normal residential use, any part of the product that proves to be defective in materials or workmanship. All service provided by Sub-Zero under the above warranty must be performed by Sub-Zero factory certified service, unless otherwise specified by Sub-Zero, Inc. Service will be provided during normal business hours.

### FULL FIVE YEAR SEALED SYSTEM WARRANTY

For five years from the date of original installation, this Sub-Zero product warranty covers all parts and labor to repair or replace, under normal residential use, these parts that prove to be defective in materials or workmanship: compressor, condenser, evaporator, drier and all connecting tubing. All service provided by Sub-Zero under the above warranty must be performed by Sub-Zero factory certified service, unless otherwise specified by Sub-Zero, Inc. Service will be provided during normal business hours.

### LIMITED TWELVE YEAR SEALED SYSTEM WARRANTY

For twelve years from the date of original installation, Sub-Zero will repair or replace the following parts that prove to be defective in materials or workmanship: compressor, condenser, evaporator, drier and all connecting tubing. If the owner uses Sub-Zero factory certified service, the service provider will repair or replace these parts with the owner paying for all other costs, including labor. If the owner uses non-certified service, the owner must contact Sub-Zero, Inc. (using the information below) to receive repaired or replacement parts. Sub-Zero will not reimburse the owner for parts purchased from non-certified service or other sources.

### TERMS APPLICABLE TO EACH WARRANTY

The warranty applies only to products installed for normal residential use. The warranty applies only to products installed in any one of the fifty states of the United States, the District of Columbia or the ten provinces of Canada. This warranty does not cover any parts or labor to correct any defect caused by negligence, accident or improper use, maintenance, installation, service or repair.

**THE REMEDIES DESCRIBED ABOVE FOR EACH WARRANTY ARE THE ONLY ONES THAT SUB-ZERO, INC. WILL PROVIDE, EITHER UNDER THIS WARRANTY OR UNDER ANY WARRANTY ARISING BY OPERATION OF LAW. SUB-ZERO, INC. WILL NOT BE RESPONSIBLE FOR ANY CONSEQUENTIAL OR INCIDENTAL DAMAGES ARISING FROM THE BREACH OF THIS WARRANTY OR ANY OTHER WARRANTY, WHETHER EXPRESS, IMPLIED OR STATUTORY.**

Some states do not allow the exclusion or limitation of incidental or consequential damages, so the above limitation or exclusion may not apply to you. This warranty gives you specific legal rights and you may also have other legal rights that vary from state to state.

To receive parts and/or service and the name of Sub-Zero factory certified service nearest you, contact Sub-Zero, Inc., P.O. Box 44848, Madison, WI 53744; check the contact & support section of our website, [subzero.com](http://subzero.com), email us at [customerservice@subzero.com](mailto:customerservice@subzero.com) or call 800-222-7820.

\*Stainless steel (doors, panels, handles, product frames and interior surfaces) are covered by a limited 60-day parts and labor warranty for cosmetic defects.

\*Replacement water filters and air purification cartridges are not covered by the product warranty.





## Sub-Zero Outdoor Limited Warranty\*

FOR RESIDENTIAL USE

### FULL ONE YEAR WARRANTY\*\*

For one year from the date of original installation, this Sub-Zero product warranty covers all parts and labor to repair or replace, under normal residential use, any part of the product that proves to be defective in materials or workmanship. All service provided by Sub-Zero under the above warranty must be performed by Sub-Zero factory certified service, unless otherwise specified by Sub-Zero, Inc. Service will be provided during normal business hours.

### FULL FIVE YEAR SEALED SYSTEM WARRANTY

For five years from the date of original installation, this Sub-Zero product warranty covers all parts and labor to repair or replace, under normal residential use, these parts that prove to be defective in materials or workmanship: compressor, condenser, evaporator, drier and all connecting tubing. All service provided by Sub-Zero under the above warranty must be performed by Sub-Zero factory certified service, unless otherwise specified by Sub-Zero, Inc. Service will be provided during normal business hours.

### TERMS APPLICABLE TO EACH WARRANTY

The warranty applies only to products installed for normal residential use. The warranty applies only to products installed in any one of the fifty states of the United States, the District of Columbia or the ten provinces of Canada. This warranty does not cover any parts or labor to correct any defect caused by negligence, accident or improper use, maintenance, installation, service or repair.

**THE REMEDIES DESCRIBED ABOVE FOR EACH WARRANTY ARE THE ONLY ONES THAT SUB-ZERO, INC. WILL PROVIDE, EITHER UNDER THIS WARRANTY OR UNDER ANY WARRANTY ARISING BY OPERATION OF LAW. SUB-ZERO, INC. WILL NOT BE RESPONSIBLE FOR ANY CONSEQUENTIAL OR INCIDENTAL DAMAGES ARISING FROM THE BREACH OF THIS WARRANTY OR ANY OTHER WARRANTY, WHETHER EXPRESS, IMPLIED OR STATUTORY.**

Some states do not allow the exclusion or limitation of incidental or consequential damages, so the above limitation or exclusion may not apply to you. This warranty gives you specific legal rights and you may also have other legal rights that vary from state to state.

To receive parts and/or service and the name of Sub-Zero factory certified service nearest you, contact Sub-Zero, Inc., P.O. Box 44848, Madison, WI 53744; check the contact & support section of our website, [subzero.com](http://subzero.com), email us at [customerservice@subzero.com](mailto:customerservice@subzero.com) or call 800-222-7820.

\*Product must be approved for outdoor use, designated by model and serial number.

\*\*Stainless steel (doors, panels, handles, product frames and interior surfaces) are covered by a limited 60-day parts and labor warranty for cosmetic defects.

\*\*Replacement water filters are not covered by the product warranty.



## Contenido

- 4 Características del generador de hielo
- 5 Funcionamiento
- 6 Recomendaciones sobre el cuidado
- 10 Datos del sistema de filtrado de agua
- 12 Resolución de problemas
- 14 Garantía Sub-Zero

## PROPUESTA 65 DE CALIFORNIA

### ⚠ ADVERTENCIA

Este producto puede contener químicos que, de conformidad con el estado de California, producen cáncer o daño reproductivo.

## Atención al cliente

El modelo y número de serie están impresos en la tarjeta de registro del producto adjunta. Los dos números también aparecen en la placa de datos del producto. Consulte la página 4 para encontrar la placa de datos. Para fines de la garantía, también necesitará la fecha de instalación y el nombre de su distribuidor autorizado de Sub-Zero. Anote esta información abajo para referencia futura.

Si su producto alguna vez necesita servicio, use un proveedor de servicios certificado por Sub-Zero y recomendado por nuestro centro de atención al cliente, o seleccione uno de nuestra lista de proveedores disponibles en [subzero.com/locator](http://subzero.com/locator). Todos los proveedores de los centros de servicio autorizados han sido cuidadosamente seleccionados y entrenados a fondo por nosotros.

### INFORMACIÓN PARA SERVICIO

Número de modelo

Número de serie

Fecha de instalación

Nombre de servicio certificado

Número de servicio certificado

Distribuidor autorizado

Número de distribuidor

## Aviso importante

Para garantizar que este producto se instale y opere de la forma más segura y eficiente posible, tome nota de los siguientes tipos de información resaltada en esta guía:

**AVISO IMPORTANTE** señala la información que es especialmente importante.

**PRECAUCIÓN** indica una situación en la que se pueden sufrir heridas leves o provocar daños al producto si no se siguen las instrucciones.

**ADVERTENCIA** indica peligro de que se produzcan heridas graves o incluso la muerte si no se siguen las precauciones.

**AVISO IMPORTANTE:** en toda esta guía, las dimensiones entre paréntesis son milímetros, a menos que se especifique lo contrario.

## Gracias

Muchas gracias por su compra. Esperamos poder ser parte de su hogar durante las décadas venideras. Como una empresa familiar de tercera generación, tenemos un interés muy personal en conservar los alimentos de su familia. Hemos construido nuestro negocio y nuestra reputación al ayudar a las familias a servir la comida más fresca posible.

Con su compra, usted recibe una de las garantías más sólidas en la industria de los electrodomésticos. Lea la declaración de garantía completa en las páginas 14 -15. También es importante que registre su Sub-Zero para no perder los beneficios de propietario exclusivo, como por ejemplo, la garantía de que va a recibir atención en el improbable caso de que necesite servicio durante el periodo de garantía, y un registro de prueba de compra en caso de un reclamo sobre el seguro de su vivienda. Puede registrarse mediante una de las siguientes opciones:

- Envíe la tarjeta de registro del producto completada a Sub-Zero.
- Regístrese en línea en [subzero.com/register](http://subzero.com/register) y cree una cuenta personal en My Sub-Zero/Wolf con el número de serie de su producto.
- Regístrese por teléfono llamando a la línea de atención al cliente de Sub-Zero al 800-222-7820.

Como propietario de un Sub-Zero, puede contar con soporte técnico constante, día tras día. Nuestro centro de atención al cliente está disponible 24 horas al día, los siete días a la semana, y lo conforman expertos conocedores del producto en nuestra fábrica en Madison, Wisconsin. En caso necesario, simplemente llame al 800-222-7820 y hable con uno de los expertos de nuestros productos. Ellos le ayudarán a solucionar cualquier problema que pueda tener.

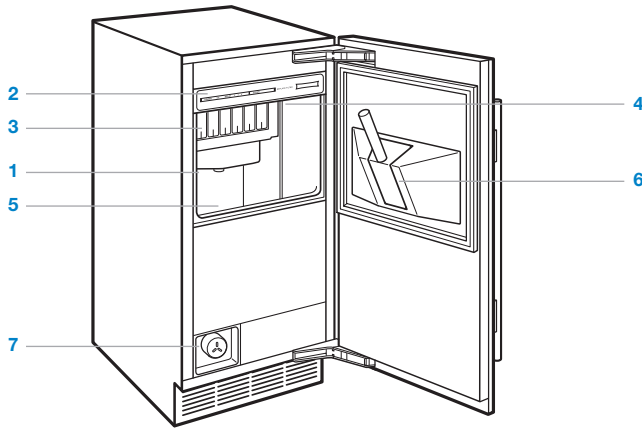
Estamos seguros de que esta guía contestará sus preguntas acerca de las características, funcionamiento y mantenimiento de su Sub-Zero, pero si tiene más preguntas, por favor póngase en contacto con nosotros en el 800-222-7820 o visítenos en línea en [subzero.com](http://subzero.com).



## Características de la máquina de hielo

### CARACTERÍSTICAS

1	Placa de datos del producto
2	Panel de control
3	Obturadores de agua
4	Fábrica automática de hielo
5	Recipiente de almacenamiento de hielo de gran capacidad
6	Pala de hielo
7	Filtro de agua

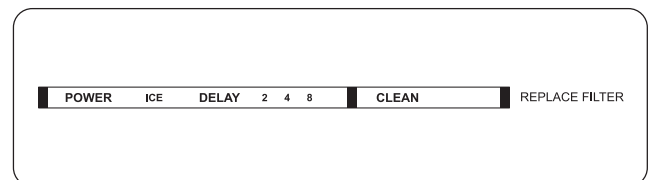


Máquina de hielo.

## Panel de control

### FUNCIÓN

<b>POWER (POTENCIA)</b>	Pulse para encender y apagar la máquina. 'POWER' se iluminará de color verde cuando la máquina de hielo esté encendida.
<b>ICE (HIELO)</b>	'ICE' se iluminará de color azul cuando la máquina esté produciendo hielo.
<b>DELAY (RETRASO)</b>	Pulse una vez para iniciar un retraso de 2 horas en la producción de hielo, pulse una segunda vez para un retraso de 4 horas y una tercera vez para un retraso de 8 horas. Se iluminará el número correspondiente indicando el período de retraso. Pulse una cuarta vez para cancelar.
<b>CLEAN (LIMPIAR)</b>	Pulse para iniciar el ciclo de limpieza. 'CLEAN' se iluminará de color verde durante el ciclo de limpieza y parpadeará para indicar el momento de agregar limpiador y desinfectante.
<b>REPLACE FILTER (CAMBIAR FILTRO)</b>	Cuando la máquina haya realizado 8000 ciclos de producción de hielo, 'REPLACE FILTER' se iluminará de color rojo para indicar que el filtro de agua se debe cambiar. Mantenga presionado 'CLEAN' durante 6 segundos para restablecer el indicador.



Panel de control.

## Funcionamiento

### ANTES DE USARLO

Limpie cuidadosamente la máquina de hielo con agua tibia y detergente suave. Enjuague y seque con un paño suave para eliminar los residuos de aceite y grasa residual que dejó el proceso de fabricación. Consulte las recomendaciones sobre el cuidado en la página 6.

Todas las superficies que entren en contacto con el sistema de agua deben limpiarse y desinfectarse antes de usarlas. Consulte el procedimiento de limpieza y desinfección en la página 7. Solo use un limpiador y desinfectante elaborados para la máquina de hielo Sub-Zero.

El limpiador y desinfectante para generadores de hielo Sub-Zero se pueden solicitar por Internet en [subzerowolfstore.com](http://subzerowolfstore.com). Si tiene alguna pregunta, comuníquese con la línea de atención al cliente de Sub-Zero al 800-222-7820.

### CICLO DE PRODUCCIÓN DE HIELO

Según las condiciones ambientales y la temperatura del agua, un ciclo de producción de hielo tarda aproximadamente 30 minutos.

- 1 **Ciclo de llenado de agua.** La válvula de admisión de agua purga el agua que está en el sistema.
- 2 **Puesta en marcha del sistema de refrigeración.** El compresor arranca después del ciclo de llenado de agua y se mantiene encendido durante los ciclos de congelado y recogida. El motor del ventilador del condensador arranca y funciona durante el ciclo de congelado.
- 3 **Ciclo de congelado.** Se rocía agua en las tazas invertidas. El agua se congela capa por capa hasta que se forma un cubo de hielo en cada taza. El sistema de control ajusta la duración del ciclo de congelado a las condiciones.
- 4 **Ciclo de recogida.** El evaporador calienta, con lo cual los cubos se sueltan y caen en el recipiente de almacenamiento. El sistema de control ajusta la duración del ciclo de recogida a las condiciones. Al final del ciclo de recogida, comienza otro ciclo de congelado.
- 5 **Apagado automático.** El nivel de hielo en el recipiente de almacenamiento controla el apagado automático. Cuando el recipiente está lleno, el hielo entra en contacto con el termostato del recipiente, que se enfría e indica que la producción debe terminar. Cuando el nivel de hielo baja y este ya no está en contacto con el termostato del recipiente, se calentará, lo que indica que la producción de hielo se debe reanudar.

### PESO DE LOS CUBOS

El peso de los cubos aumenta o disminuye según la cantidad de hendiduras o depresiones en el cubo de hielo de forma octagonal. El peso de los cubos se puede ajustar al aumentar el tiempo de congelado.

Para ajustar el peso de los cubos:

- 1 Mantenga presionado 'POWER'.
- 2 Pulse y suelte 'CLEAN' una vez para agregar un minuto de tiempo de congelado. Revise los cubos después de varios ciclos de producción y repita si desea un cubo más pesado. Puede agregar hasta cinco minutos de tiempo de congelado extra.
- 3 Pulse 'CLEAN' seis veces para restablecer el tiempo de congelado a la configuración de fábrica.

### NIVEL DE HIELO

Un termostato en el recipiente de almacenamiento de hielo indica que la producción debe terminar cuando el recipiente está lleno. Si la producción se detiene antes de que el recipiente esté lleno o continúa después, el nivel de hielo se puede ajustar. El control del termostato se encuentra situado detrás del zócalo. Consulte la siguiente ilustración.

Para ajustar el nivel de hielo:

- 1 Retire el zócalo para acceder al control del termostato.
- 2 Gire el control hacia la izquierda para disminuir el nivel de hielo o hacia la derecha para aumentar el nivel.



Ajuste del nivel de hielo.

## Iluminación interna

La iluminación interna se encuentra en la parte superior del recipiente de almacenamiento de hielo. Para cambiar el foco, desenrosquelo del sócate e instale un foco de 25 vatios.

### **▲ PRECAUCIÓN**

Apague la corriente eléctrica en el panel de control antes de cambiar los focos. Utilice guantes de protección al manejar los focos.

## Limpeza

### LIMPIEZA INTERIOR

Para limpiar las superficies interiores y todas las piezas móviles, lave con una solución suave de jabón, agua y bicarbonato de sodio. Enjuague y seque completamente. Evite que el agua entre en contacto con las luces y el panel de control.

### **▲ PRECAUCIÓN**

No use vinagre, alcohol ni otros limpiadores a base de alcohol en ninguna superficie interna.

### EXTERIOR DE ACERO INOXIDABLE

Use un limpiador no abrasivo para acero inoxidable y aplique con un paño suave sin pelusa. Para resaltar el lustre natural, limpie suavemente la superficie con una tela de microfibra humedecida con agua, seguida con una gamuza para pulir en seco. Siempre siga la dirección del acabado del acero inoxidable.



## Limpieza

### LIMPIEZA Y DESINFECCIÓN

Todas las superficies que entren en contacto con el sistema de agua deben limpiarse y desinfectarse antes de usarlas y cada seis meses mediante el siguiente procedimiento. Solo use un limpiador y desinfectante elaborados para la máquina de hielo Sub-Zero.

El limpiador y desinfectante para generadores de hielo Sub-Zero se pueden solicitar por Internet en [subzerowolfstore.com](http://subzerowolfstore.com). Si tiene alguna pregunta, comuníquese con la línea de atención al cliente de Sub-Zero al 800-222-7820.

**AVISO IMPORTANTE:** Si la calidad del agua es mala, es posible que sea necesario limpiar y desinfectar con mayor frecuencia. Consulte con un profesional calificado para que pruebe la calidad del agua y le recomiende el tratamiento adecuado.

### Procedimiento de limpieza y desinfección:

- 1 Pulse 'CLEAN'. Un ciclo de recogida de dos minutos eliminará todo el hielo restante del evaporador.
- 2 Elimine todo el hielo del recipiente de almacenamiento.
- 3 Espere tres minutos hasta que la luz CLEAN parpadee, luego, levante los obturadores de agua y vierta 4 onzas (115 ml) de limpiador para generadores de hielo sin diluir directamente en la zona de rocío. Consulte la siguiente ilustración.
- 4 Comienza un ciclo de limpieza de 10 minutos, seguido de ocho ciclos de enjuague. Una vez que el proceso haya finalizado, la luz CLEAN dejará de estar iluminada. Todo el ciclo de limpieza dura aproximadamente 30 minutos.
- 5 Pulse 'CLEAN'. Espere tres minutos hasta que la luz CLEAN parpadee, luego, levante los obturadores de agua y vierta 1 cucharada (15 ml) de desinfectante para generadores de hielo sin diluir directamente en la zona de rocío.
- 6 Comienza un ciclo de desinfección de 10 minutos, seguido de ocho ciclos de enjuague. Una vez que el proceso haya finalizado, la luz CLEAN dejará de estar iluminada. Todo el ciclo de desinfección dura aproximadamente 30 minutos.



Ubicación de los obturadores de agua.

## Limpieza

### LIMPIEZA DEL CONDENSADOR

#### ⚠ PRECAUCIÓN

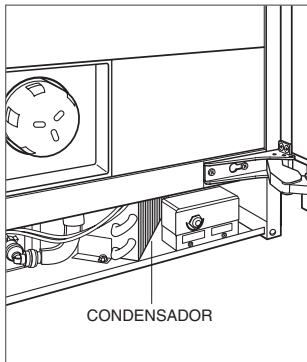
Antes de limpiar el condensador, apague la unidad desde el panel de control. Utilice guantes para evitar que las aletas afiladas del condensador puedan provocarle heridas.

El condensador se encuentra situado detrás del zócalo. Para tener acceso al mismo, retire el zócalo. Use un cepillo de cerdas suaves y vacío para quitar el polvo y pelusa del condensador. Limpie el condensador cada seis meses. Consulte la siguiente ilustración.

**AVISO IMPORTANTE:** Para evitar daños a las aletas del condensador, asegúrese de aspirar en dirección de las aletas.

#### ⚠ PRECAUCIÓN

Si no lo limpia, el condensador puede perder la temperatura, o puede producirse un daño o fallo mecánico en el mismo.



Ubicación del condensador.

## Mantenimiento

### CAMBIO DEL FILTRO DE AGUA

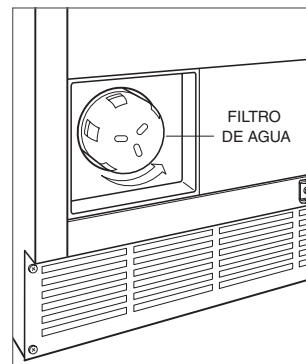
El filtro de agua se debe cambiar cada seis meses, después de una parada prolongada o después de 8000 ciclos de producción de hielo. 'REPLACE FILTER' se iluminará en el panel de control para indicar que es necesario cambiar el filtro de agua. La máquina de hielo elude el filtro cuando se retira, de modo que no es necesario apagar el suministro de agua.

Los filtros de agua de repuesto de Sub-Zero se pueden solicitar en Internet en [subzerowolfstore.com](http://subzerowolfstore.com). Si tiene alguna pregunta, comuníquese con la línea de atención al cliente de Sub-Zero al 800-222-7820.

**AVISO IMPORTANTE:** Si la calidad del agua es mala, es posible que el filtro deba cambiarse con mayor frecuencia.

Para cambiar el filtro de agua:

- 1 Para quitar el filtro de agua, gire el filtro un cuarto de vuelta hacia la izquierda y este saldrá de su posición. Consulte la siguiente ilustración.
- 2 Invierta el proceso para instalar el nuevo filtro.
- 3 Mantenga presionado 'CLEAN' durante 6 segundos para restablecer el indicador.



Ubicación del filtro de agua.

## Mantenimiento

### PARADA PROLONGADA

Si es necesario sacar de servicio la máquina de hielo por un período prolongado, o si se debe exponer a temperaturas de 32°F (0°C) o menos, siga el procedimiento para parada prolongada y preparación para el invierno.

#### Procedimiento para parada prolongada y preparación para el invierno:

- 1 Realice el procedimiento de limpieza y desinfección indicado en la página 7 para evitar el crecimiento de moho.
- 2 Desconecte la corriente eléctrica en el interruptor de circuito o panel de servicio.
- 3 Apague el suministro de agua.
- 4 Elimine el agua del depósito.
- 5 Desconecte la tubería de suministro de agua entrante en la parte posterior de la máquina y deje que drene.
- 6 Desconecte la manguera de vinilo de la bomba de agua y deje que drene.
- 7 Verifique que no haya agua atrapada en ninguna de las tuberías de suministro de agua o drenaje. Se puede usar aire comprimido para soplar las líneas.
- 8 Use una botella con atomizador con una solución de 1 cucharada (15 ml) de desinfectante a 1 galón (3.8 L) de agua y rocíe todas las superficies interiores. No enjuague, deje secar al aire.
- 9 Bloquee la puerta parcialmente abierta para que haya intercambio de aire y así prevenir el crecimiento de moho.

SISTEMA DE FILTRADO DE AGUA SUB-ZERO MODELO 56145 (CARTUCHO DE REPUESTO 7012333)



Sistema probado y certificado por NSF International según la Norma 42 de NSF/ANSI para la reducción del sabor y olor a cloro y partículas de Clase III.

Estos sistemas han sido sometidos a pruebas según la Norma 42 de NSF/ANSI para la reducción de las sustancias enumeradas a continuación. La concentración de las sustancias indicadas en el agua de entrada al sistema fue reducida hasta una concentración menor que o igual al límite permisible para el agua que sale del sistema, según lo especificado en la Norma 42 de NSF/ANSI.

REDUCCIÓN DE CONTAMINANTES DETERMINADA POR PRUEBAS DE NFS

Reducción de contaminantes	Concentración promedio de afluentes	Concentración de riesgo de afluentes; las unidades aplican a cada fila	Concentración promedio de agua del producto	Reducción de % promedio	Requisitos de reducción de NSF	Prueba de NSF
Partículas Tamaño de partículas de Clase III: >5 a <15 um	6533	Por lo menos 10,000 partículas/ml	1479	97.7	≥ 85%	516550-05
Cloro, sabor y olor	2.1	2.0 mg/L ± 10%	0.27	87.1	≥ 50%	516549-05

PAUTAS DE APLICACIÓN | PARÁMETROS DEL SUMINISTRO DE AGUA

Uso exclusivo para agua fría.

Capacidad: 2,800 galones (10,600 litros), según las condiciones de agua locales

Flujo de servicio 0.75 gpm (2.84 lpm)

Suministro de agua: Pozo comunitario o privado

Presión del agua: De 25 a 125 psi (de 172 a 862 kPa)

Temperatura del agua: De 35°F a 100°F (de 1.7°C a 38°C)

NOTAS ESPECIALES

- Es fundamental que se sigan los requisitos de operación, mantenimiento y cambio de filtros para que este producto pueda funcionar de acuerdo con lo previsto. Cambie los cartuchos cada seis meses. Use cartuchos de repuesto 7012333.
- No lo use para agua que no es segura desde el punto de vista microbiológico, o si se desconoce la calidad, sin un sistema de desinfección adecuado instalado antes o después de este sistema.
- Los sistemas se deben instalar y utilizar de acuerdo con los procedimientos y las pautas recomendados del fabricante.
- Tenga en cuenta que, aunque se realizaron pruebas bajo condiciones normales de laboratorio, el rendimiento real puede variar.

Fabricado por: Sub-Zero, Inc., P.O. Box 44848, Madison, WI 53744, 800-222-7820

GARANTÍA LIMITADA DEL CARTUCHO DEL FILTRO DE AGUA

Sub-Zero reparará o cambiará cualquier cartucho del filtro que se compruebe estar defectuoso en material o mano de obra por un período de un año a partir de la fecha de compra. La garantía no cubre el cambio de rutina debido al uso normal. Para reclamaciones de garantía, llame al 800-222-7820.

La garantía se aplica solamente a los productos instalados en cualquiera de los cincuenta estados de los Estados Unidos, el Distrito de Columbia o las diez provincias de Canadá. Esta garantía no cubre las partes o mano de obra para corregir cualquier defecto causado por mala calidad del agua local, negligencia, accidente o uso, mantenimiento, instalación, servicio o reparación inadecuados.

Los recursos descritos anteriormente para cada garantía son los únicos que Sub-Zero proporcionará, ya sea bajo estas garantías o bajo cualquier garantía que resulte de la aplicación de la ley. Sub-Zero no se hace responsable por los daños indirectos o incidentales derivados de la violación de esta garantía o cualquier otra garantía, ya sea expresa, implícita o legal.

Algunos estados no permiten la exclusión o limitación de daños incidentales o consecuentes, por lo tanto la limitación o exclusión anterior podrían no aplicarse en su caso. Esta garantía le otorga derechos legales específicos, y usted también puede tener otros derechos legales que varían entre estados.

State of California  
Department of Public Health  
Water Treatment Device  
Certificate Number  
05 - 1708

Date Issued: April 18, 2010

---

---

**Trademark/Model Designation**

Sub-Zero 4290510

**Replacement Elements**

4204490

---

---

**Manufacturer:** 3M Purification Inc.

The water treatment device(s) listed on this certificate have met the testing requirements pursuant to Section 116830 of the Health and Safety Code for the following health related contaminants:

**Microbiological Contaminants and Turbidity**

Cysts  
Turbidity

**Inorganic/Radiological Contaminants**

Asbestos  
Lead  
Mercury

**Organic Contaminants**

Atrazine  
Benzene  
Carbofuran  
Lindane  
p-dichlorobenzene  
Toxaphene

---

---

**Rated Service Capacity:** 750 gals

**Rated Service Flow:** 0.78 gpm

**Conditions of Certification:**

Do not use where water is microbiologically unsafe or with water of unknown quality, except that systems certified for cyst reduction may be used on disinfected waters that may contain filterable cysts.

### Resolución de problemas

#### OPERACIÓN DE LA MÁQUINA

##### La máquina de hielo no funciona.

- Compruebe que esté encendida.
- Compruebe que la corriente eléctrica a la máquina de hielo y el interruptor de circuito de la casa estén encendidos.

##### La máquina de hielo funciona, pero no produce hielo.

- Verifique la conexión con el suministro de agua.
- Compruebe que el filtro de agua no esté tapado. Cambie el filtro de agua, luego siga el procedimiento de limpieza y desinfección indicado en la página 7.
- Verifique que las boquillas atomizadoras no estén tapadas. Siga el procedimiento de limpieza y desinfección en la página 7.
- Verifique que la presión de agua sea de 20 psi (1.4 bares) a 80 psi (5.5 bares).
- Verifique el ajuste del termostato del recipiente, consulte la página 5.
- Verifique que la temperatura ambiente sea entre 50°F (10°C) y 100°F (40°C) para el modelo para uso interior y entre 50°F (10°C) y 110°F (45°C) para el modelo para uso al aire libre.

##### La máquina se debe limpiar y desinfectar con frecuencia.

- Consulte con un profesional calificado para que pruebe la calidad del agua y le recomiende el tratamiento adecuado.
- Póngase en contacto con servicio certificado de fábrica de Sub-Zero para desarmar la máquina y limpiarla y desinfectarla a fondo.

#### PRODUCCIÓN DE HIELO

##### Baja producción de hielo.

- Limpie la zona del condensador, consulte la página 8.
- Verifique la conexión con el suministro de agua fría.
- Compruebe que el filtro de agua no esté tapado. Cambie el filtro de agua, luego siga el procedimiento de limpieza y desinfección indicado en la página 7.
- Verifique el funcionamiento de la válvula de entrada de agua.
- Verifique que la temperatura ambiente sea entre 50°F (10°C) y 100°F (40°C) para el modelo para uso interior y entre 50°F (10°C) y 110°F (45°C) para el modelo para uso al aire libre.
- Si no puede resolver el problema, póngase en contacto con el servicio certificado de fábrica de Sub-Zero.

##### Los cubos de hielo de mala calidad son poco profundos, incompletos o blancos.

- Siga el procedimiento de limpieza y desinfección en la página 7.
- Para cambiar el filtro de agua, consulte la página 8.
- Para ajustar el peso de los cubos, consulte la página 5.
- Verifique que el suavizante de agua esté funcionando correctamente (si corresponde).
- Consulte con un profesional calificado para que pruebe la calidad del agua y le recomiende el tratamiento adecuado.
- Póngase en contacto con servicio certificado de fábrica de Sub-Zero para desarmar la máquina y limpiarla y desinfectarla a fondo.



### Resolución de problemas

#### SERVICIO

- Para mantener la calidad de su producto, póngase en contacto con el servicio certificado de fábrica de Sub-Zero. Para obtener los datos del centro de servicio autorizado de Sub-Zero más cercano, eche un vistazo a la sección de contacto y servicio técnico en nuestro sitio web, [subzero.com](http://subzero.com) o llame a la línea de atención al cliente de Sub-Zero al 800-222-7820.
- Al comunicarse con el servicio, necesitará el modelo y número de serie de su máquina. Los dos números también aparecen en la placa de datos del producto. Consulte la página 4 para encontrar la placa de datos.
- Para fines de la garantía, también necesitará la fecha de instalación y el nombre de su distribuidor autorizado de Sub-Zero. Esta información debe estar registrada en la página 2.

## Garantía limitada residencial de Sub-Zero

PARA USO RESIDENCIAL

### GARANTÍA COMPLETA DE DOS AÑOS\*

Durante dos años a partir de la fecha de la instalación original, la garantía de su producto Sub-Zero cubre todos los repuestos y mano de obra para reparar o cambiar, bajo el uso residencial normal, cualquier parte del producto que se compruebe estar defectuosa en material o mano de obra. Todos los servicios proporcionados por Sub-Zero bajo la garantía anterior deben ser realizados por servicios certificados de fábrica de Sub-Zero, a menos que Sub-Zero Inc. lo especifique de otra manera. El Servicio se hará durante el horario comercial normal.

### GARANTÍA COMPLETA DE CINCO AÑOS SOBRE EL SISTEMA CERRADO

Durante cinco años a partir de la fecha de la instalación original la garantía de Sub-Zero cubre todos los repuestos y mano de obra para reparar o cambiar, bajo el uso residencial normal, cualquiera de estos componentes que se compruebe estar defectuoso en material o mano de obra: compresor, condensador, evaporador, secador y toda la tubería de conexión. Todos los servicios proporcionados por Sub-Zero bajo la garantía anterior deben ser realizados por servicios certificados de fábrica de Sub-Zero, a menos que Sub-Zero Inc. lo especifique de otra manera. El Servicio se hará durante el horario comercial normal.

### GARANTÍA LIMITADA DE DOCE AÑOS SOBRE EL SISTEMA CERRADO

Durante doce años a partir de la fecha de la instalación original Sub-Zero reparará o cambiará los siguientes componentes que se compruebe estar defectuosos en material o mano de obra: compresor, condensador, evaporador, secador y toda la tubería de conexión. Si el propietario usa el servicio certificado de fábrica de Sub-Zero, el prestador del servicio reparará o cambiará estas piezas mediante el pago de todos los otros costos, incluyendo mano de obra, a cargo del propietario. Si el propietario usa un servicio no certificado, debe ponerse en contacto con Sub-Zero, Inc. (mediante la información anotada más adelante) para recibir los componentes reparados o de reemplazo. Sub-Zero no reembolsará al propietario los importes correspondientes a componentes comprados a un servicio no certificado o a otras fuentes.

### TÉRMINOS APLICABLES A CADA GARANTÍA

La garantía se aplica solamente a los productos instalados para uso residencial normal. La garantía se aplica solamente a los productos instalados en cualquiera de los cincuenta estados de los Estados Unidos, el Distrito de Columbia o las diez provincias de Canadá. Esta garantía no cubre las partes o mano de obra para corregir cualquier defecto causado por negligencia, accidente o uso, mantenimiento, instalación, servicio o reparación inadecuados.

**LOS RECURSOS DESCRITOS ANTERIORMENTE PARA CADA GARANTÍA SON LOS ÚNICOS QUE SUB-ZERO, INC. PROPORCIONARÁ, YA SEA BAJO ESTA GARANTÍA O BAJO CUALQUIER GARANTÍA QUE RESULTE DE LA APLICACIÓN DE LA LEY. SUB-ZERO, INC. NO SE HACE RESPONSABLE POR LOS DAÑOS INDIRECTOS O INCIDENTALES DERIVADOS DEL INCUMPLIMIENTO DE ESTA GARANTÍA O CUALQUIER OTRA GARANTÍA, YA SEA EXPRESA, IMPLÍCITA O LEGAL.**

Algunos estados no permiten la exclusión o limitación de daños incidentales o consecuentes, por lo tanto la limitación o exclusión anterior podrían no aplicarse en su caso. Esta garantía le otorga derechos legales específicos, y usted también puede tener otros derechos legales que varían entre estados.

Para recibir los repuestos y/o el servicio y el nombre del servicio certificado de fábrica de Sub-Zero más cercano a usted, póngase en contacto con Sub-Zero, Inc., P.O. Box 44848, Madison, WI 53744; eche un vistazo a la sección de contacto y servicio técnico en nuestro sitio web, [subzero.com](http://subzero.com), envíenos un correo electrónico a [customerservice@subzero.com](mailto:customerservice@subzero.com) o llame al 800-222-7820.

\*Las puertas, paneles, manijas, estructuras de acero inoxidable y superficies internas están cubiertas por una garantía limitada de 60 días de repuestos y mano de obra, por defectos cosméticos.

\*Los filtros de agua de repuesto y los cartuchos de purificación de agua no están cubiertos por la garantía del producto.



## Garantía limitada de los productos para uso al aire libre de Sub-Zero\*

PARA USO RESIDENCIAL

### GARANTÍA COMPLETA DE UN AÑO\*\*

Durante un año a partir de la fecha de la instalación original, la garantía de su producto Sub-Zero cubre todos los repuestos y mano de obra para reparar o cambiar, bajo el uso residencial normal, cualquier parte del producto que se compruebe estar defectuosa en material o mano de obra. Todos los servicios proporcionados por Sub-Zero bajo la garantía anterior deben ser realizados por servicios certificados de fábrica de Sub-Zero, a menos que Sub-Zero Inc. lo especifique de otra manera. El Servicio se hará durante el horario comercial normal.

### GARANTÍA COMPLETA DE CINCO AÑOS SOBRE EL SISTEMA CERRADO

Durante cinco años a partir de la fecha de la instalación original la garantía de Sub-Zero cubre todos los repuestos y mano de obra para reparar o cambiar, bajo el uso residencial normal, cualquiera de estos componentes que se compruebe estar defectuoso en material o mano de obra: compresor, condensador, evaporador, secador y toda la tubería de conexión. Todos los servicios proporcionados por Sub-Zero bajo la garantía anterior deben ser realizados por servicios certificados de fábrica de Sub-Zero, a menos que Sub-Zero Inc. lo especifique de otra manera. El Servicio se hará durante el horario comercial normal.

### TÉRMINOS APLICABLES A CADA GARANTÍA

La garantía se aplica solamente a los productos instalados para uso residencial normal. La garantía se aplica solamente a los productos instalados en cualquiera de los cincuenta estados de los Estados Unidos, el Distrito de Columbia o las diez provincias de Canadá. Esta garantía no cubre las partes o mano de obra para corregir cualquier defecto causado por negligencia, accidente o uso, mantenimiento, instalación, servicio o reparación inadecuados.

LOS RECURSOS DESCRITOS ANTERIORMENTE PARA CADA GARANTÍA SON LOS ÚNICOS QUE SUB-ZERO, INC. PROPORCIONARÁ, YA SEA BAJO ESTA GARANTÍA O BAJO CUALQUIER GARANTÍA QUE RESULTE DE LA APLICACIÓN DE LA LEY. SUB-ZERO, INC. NO SE HACE RESPONSABLE POR LOS DAÑOS INDIRECTOS O INCIDENTALES DERIVADOS DEL INCUMPLIMIENTO DE ESTA GARANTÍA O CUALQUIER OTRA GARANTÍA, YA SEA EXPRESA, IMPLÍCITA O LEGAL.

Algunos estados no permiten la exclusión o limitación de daños incidentales o consecuentes, por lo tanto la limitación o exclusión anterior podrían no aplicarse en su caso. Esta garantía le otorga derechos legales específicos, y usted también puede tener otros derechos legales que varían entre estados.

Para recibir los repuestos y/o el servicio y el nombre del servicio certificado de fábrica de Sub-Zero más cercano a usted, póngase en contacto con Sub-Zero, Inc., P.O. Box 44848, Madison, WI 53744; eche un vistazo a la sección de contacto y servicio técnico en nuestro sitio web, [subzero.com](http://subzero.com), envíenos un correo electrónico a [customerservice@subzero.com](mailto:customerservice@subzero.com) o llame al 800-222-7820.

\*El producto debe estar aprobado para uso al aire libre, designado por modelo y número de serie.

\*\*Las puertas, paneles, manijas, estructuras de acero inoxidable y superficies internas están cubiertas por una garantía limitada de 60 días sobre piezas y mano de obra, por defectos cosméticos.

\*\*Los filtros de agua de repuesto no están cubiertos por la garantía del producto.



## Table des matières

- 4 Caractéristiques de la machine à glaçons
- 5 Fonctionnement
- 6 Recommandations d'entretien
- 10 Données sur le système de filtration d'eau
- 12 Dépannage
- 14 Garantie Sub-Zero

## PROPOSITION 65 DE LA CALIFORNIE

### ▲ AVERTISSEMENT

Ce produit contient des produits chimiques reconnus par l'État de la Californie comme causant le cancer ou des troubles reproductifs.

## Service à la clientèle

Le numéro de modèle et le numéro de série sont imprimés sur la fiche d'enregistrement du produit ci-jointe. Les deux numéros sont aussi indiqués sur la plaque signalétique du produit. Reportez-vous à la page 4 pour connaître l'emplacement de la plaque signalétique. Pour les besoins de la garantie, vous devrez aussi avoir la date d'installation et le nom de votre dépositaire Sub-Zero autorisé. Inscrivez ces renseignements ci-dessous pour consultation ultérieure.

Si votre produit a besoin d'être réparé, assurez-vous d'utiliser un fournisseur de service certifié par l'usine Sub-Zero recommandé par notre centre de service à la clientèle, ou sélectionnez-en un parmi la liste de fournisseurs disponibles à [subzero.com/locator](http://subzero.com/locator). Tous les fournisseurs de service certifiés par l'usine sont soigneusement sélectionnés et rigoureusement formés par nous.

### RENSEIGNEMENTS SUR LE SERVICE

Numéro de modèle

Numéro de série

Date de l'installation

Nom du service certifié

Numéro du service certifié

Dépositaire autorisé

Numéro du dépositaire

## Remarque importante

Pour s'assurer que ce produit est installé et utilisé en toute sécurité et aussi efficacement que possible, prenez note des types de renseignement mis en évidence tout au long de ce guide :

**REMARQUE IMPORTANTE** met en évidence des renseignements qui sont particulièrement importants.

**MISE EN GARDE** indique une situation où une blessure mineure ou des dommages au produit peuvent se produire si les directives ne sont pas respectées.

**AVERTISSEMENT** décrit un danger qui peut causer une blessure grave ou la mort si les précautions ne sont pas respectées.

**REMARQUE IMPORTANTE** : tout au long de ce guide, les dimensions entre parenthèses sont en millimètres à moins d'indication contraire.

## Merci

Merci de votre achat. Nous nous réjouissons à l'idée de faire partie de votre résidence pendant des décennies à venir. À titre d'entreprise familiale de troisième génération, nous avons un intérêt personnel dans la préservation des aliments de votre famille. Nous avons bâti notre entreprise et notre réputation en aidant les familles à servir les aliments les plus frais possible.

Grâce à votre achat, vous obtiendrez l'une des garanties les plus robustes de l'industrie des appareils électroménagers. Prenez un moment pour lire la déclaration de garantie complète aux pages 14 et 15. Il est aussi important d'enregistrer votre appareil Sub-Zero pour vous assurer de ne pas manquer les avantages exclusifs offerts aux propriétaires, comme l'assurance que vous serez pris en charge dans le cas peu probable où un service serait nécessaire durant la période de garantie et en vue d'avoir une preuve d'achat en cas de réclamation d'assurance habitation. Vous pouvez effectuer l'enregistrement de l'une des façons suivantes :

- En postant la fiche d'enregistrement du produit Sub-Zero dûment remplie.
- En enregistrant votre appareil en ligne à [subzero.com/register](http://subzero.com/register) et en créant un compte personnalisé My Sub-Zero/Wolf avec le numéro de série de votre produit.
- Par téléphone en appelant le service à la clientèle de Sub-Zero au 800-222-7820.

À titre de propriétaire Sub-Zero, vous pouvez compter sur un soutien continu, jour après jour. Notre centre de service à la clientèle est offert 24 heures par jour, sept jours par semaine et doté d'employés experts en produit bien informés dans notre usine de Madison au Wisconsin. En cas de besoin, composez simplement le 800-222-7820 et parlez avec un de nos experts en produit. Ils vous aideront à résoudre tout problème que vous pourriez avoir.

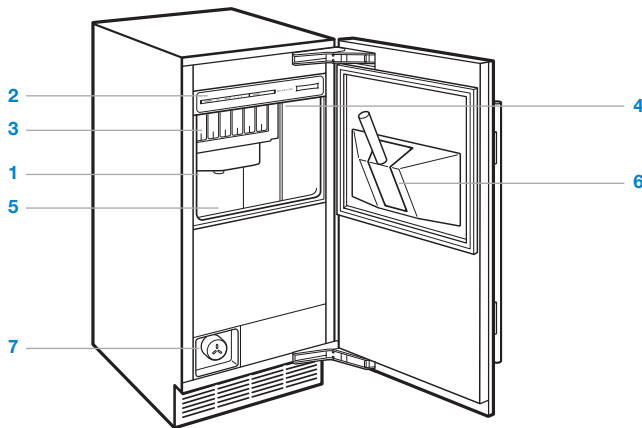
Nous sommes confiants que ce guide répondra à vos questions au sujet des caractéristiques, du fonctionnement et de l'entretien de votre Sub-Zero, mais si vous avez des questions supplémentaires, communiquez avec nous au 800-222-7820 ou visitez-nous en ligne à [subzero.com](http://subzero.com).



## Caractéristiques de la machine à glaçons

### CARACTÉRISTIQUES

1	Plaque signalétique du produit
2	Panneau de commande
3	Volets d'eau
4	Machine à glaçons automatique
5	Bac de rangement à glaçons à grande capacité
6	Pelle à glaçons
7	Filtre à eau

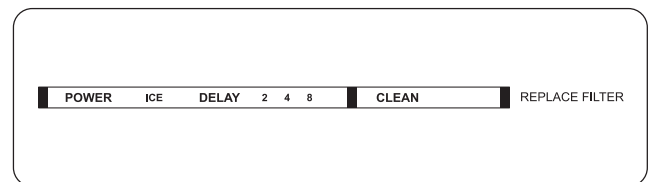


Machine à glaçons.

## Panneau de commande

### FONCTION

<b>POWER (alimentation)</b>	Touchez pour mettre l'unité en marche ou l'éteindre. « POWER » (alimentation) s'illumine en vert lorsque la machine à glaçons est en marche.
<b>ICE (glaçons)</b>	« ICE » (glaçons) s'illumine en bleu lorsque l'unité est en mode de production de glaçons.
<b>DELAY (délai)</b>	Touchez une fois pour initier un délai de deux heures pour la production de glaçons, touchez une seconde fois pour un délai de quatre heures et une troisième fois pour un délai de huit heures. Le chiffre correspondant s'illuminera pour indiquer la durée du délai. Touchez une quatrième fois pour annuler.
<b>CLEAN (nettoyage)</b>	Touchez pour lancer le cycle de nettoyage. « CLEAN » (nettoyage) s'illumine en vert durant le cycle de nettoyage et clignote pour indiquer à quel moment il faut ajouter le nettoyant et le désinfectant.
<b>REPLACE FILTER (remplacer le filtre)</b>	Lorsque l'unité a terminé 8 000 cycles de production de glaçons, les mots « REPLACE FILTER » (remplacer le filtre) s'illuminent en rouge pour indiquer que le filtre à eau doit être remplacé. Enfoncez et tenez la touche « CLEAN » (nettoyage) pendant six secondes pour réinitialiser l'indicateur.



Panneau de commande.



## Fonctionnement

### AVANT L'UTILISATION

Nettoyez la machine à glaçons à fond avec de l'eau chaude et un détergent doux. Rincez et séchez avec un chiffon doux pour éliminer tous les résidus d'huile et de graisse laissés par le processus de fabrication. Reportez-vous aux recommandations d'entretien à la page 6.

Toutes les surfaces qui entrent en contact avec le système d'eau doivent être nettoyées et désinfectées avant l'utilisation. Reportez-vous à la procédure de nettoyage et de désinfection décrite à la page 7. Utilisez seulement le nettoyant et le désinfectant conçus pour la machine à glaçons Sub-Zero.

Le nettoyant et le désinfectant pour la machine à glaçons peuvent être commandés en ligne à [subzerowolfstore.com](http://subzerowolfstore.com). Pour toute question, communiquez avec le service à la clientèle de Sub-Zero à 800-222-7820.

### CYCLE DE PRODUCTION DE GLAÇONS

Selon les conditions ambiantes et la température de l'eau, un cycle de production de glaçons peut prendre environ 30 minutes.

- 1 Cycle de remplissage d'eau.** La soupape d'admission d'eau élimine l'ancienne eau du système.
- 2 Le système de réfrigération se met en marche.** Le compresseur se met en marche après le cycle de remplissage d'eau et demeure en marche tout au long des cycles de congélation et de production. Le moteur du ventilateur du compresseur se met en marche et fonctionne tout au long du cycle de congélation.
- 3 Cycle de congélation.** L'eau est pulvérisée dans les godets inversés. L'eau se congèle couche par couche, jusqu'à ce qu'un glaçon se forme dans chaque godet. Le système de commande règle la longueur du cycle de congélation en fonction des conditions.
- 4 Cycle de production.** L'évaporateur est réchauffé, permettant ainsi aux glaçons de se dégager de l'évaporateur et de tomber dans le bac. Le système de commande règle la longueur du cycle de production en fonction des conditions. À la fin du cycle de production, un autre cycle de congélation commence.
- 5 Arrêt automatique.** Le niveau de glaçons dans le bac contrôle l'arrêt automatique. Lorsque le bac est plein, les glaçons entrent en contact avec le thermostat du bac, qui refroidit, pour ainsi signaler l'arrêt de la production de glaçons. Lorsque le niveau de glaçons diminue et que ces derniers ne touchent plus au thermostat du bac, il se réchauffe pour signaler la reprise de la production de glaçons.

### POIDS DES GLAÇONS

Le poids des glaçons augmente ou diminue selon la quantité de fossettes ou de dépressions dans le glaçon de forme octogonale. Le poids des glaçons peut être réglé en augmentant la durée de congélation.

Pour régler le poids des glaçons :

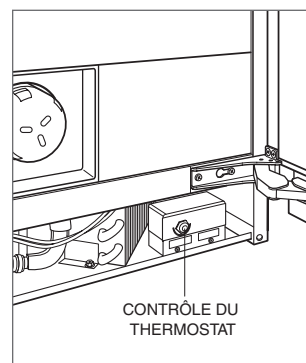
- 1** Enfoncez et tenez la touche « POWER » (alimentation).
- 2** Enfoncez et relâchez la touche « CLEAN » (nettoyage) une fois pour ajouter une minute à la durée de congélation. Examinez les cubes après plusieurs cycles de production et répétez si vous souhaitez des glaçons plus volumineux. Vous pouvez ajouter jusqu'à cinq minutes de congélation supplémentaires.
- 3** Enfoncez la touche « CLEAN » (nettoyage) six fois pour réinitialiser la durée de congélation au réglage établi en usine.

### NIVEAU DE GLAÇONS

Un thermostat dans le bac de rangement à glaçons signale l'arrêt de la production lorsque le bac est plein. Si la production de glaçons s'arrête avant que le bac soit plein ou si elle continue lorsque le bac est plein, le niveau de glaçons peut être modifié. La commande du thermostat est située derrière la plaque de protection. Reportez-vous à l'illustration ci-dessous.

Pour modifier le niveau de glaçons :

- 1** Retirez la plaque de protection pour accéder à la commande du thermostat.
- 2** Tournez la commande vers la gauche pour réduire le niveau de glaçons ou vers la droite pour augmenter le niveau de glaçons.



Réglage du niveau de glaçons.

## Éclairage intérieur

L'éclairage intérieur est situé dans la partie supérieure du bac de rangement des glaçons. Pour remplacer l'ampoule, dévissez-la de la douille et installez une nouvelle ampoule de 25 watts.

### ▲ MISE EN GARDE

Coupez l'alimentation sur le panneau de commande avant de remplacer les ampoules. Portez des gants protecteurs pour manipuler les ampoules.

## Nettoyage

### NETTOYAGE INTÉRIEUR

Pour nettoyer les surfaces intérieures et toutes les pièces amovibles, lavez avec une solution douce de savon, d'eau et de bicarbonate de soude. Rincez et séchez à fond. Évitez de mettre de l'eau sur les lumières et le panneau de commande.

### ▲ MISE EN GARDE

N'utilisez pas du vinaigre, de l'alcool à friction ou d'autres nettoyeurs à base d'alcool sur toute surface intérieure.

### EXTÉRIEUR EN ACIER INOXYDABLE

Utilisez un nettoyeur non abrasif pour l'acier inoxydable et appliquez-le avec un chiffon doux non pelucheux. Pour faire ressortir le lustre naturel, essuyez légèrement la surface avec un chiffon en microfibres humecté d'eau suivi d'un chamois à polir sec. Suivez toujours le grain de l'acier inoxydable.

## Nettoyage

### NETTOYAGE ET DÉSINFECTION

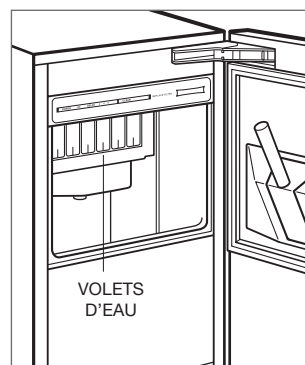
Toutes les surfaces qui entrent en contact avec le système d'eau doivent être nettoyées et désinfectées avant l'utilisation et tous les six mois en respectant la procédure suivante. Utilisez seulement le nettoyant et le désinfectant conçus pour la machine à glaçons Sub-Zero.

Le nettoyant et le désinfectant pour la machine à glaçons peuvent être commandés en ligne à [subzerowolfstore.com](http://subzerowolfstore.com). Pour toute question, communiquez avec le service à la clientèle de Sub-Zero à 800-222-7820.

**REMARQUE IMPORTANTE :** Une mauvaise qualité d'eau peut nécessiter un nettoyage et une désinfection plus fréquents. Consultez un professionnel qualifié pour faire évaluer la qualité de l'eau et obtenir des recommandations sur un traitement d'eau approprié.

### Procédure de nettoyage et de désinfection :

- 1 Touchez à « CLEAN » (nettoyage). Un cycle de production de deux minutes éliminera tout glaçon restant de l'évaporateur.
- 2 Retirez tous les glaçons du bac.
- 3 Attendez trois minutes jusqu'à ce que le voyant CLEAN (nettoyage) clignote, puis soulevez les volets d'eau et versez 4 onces (115 ml) de nettoyant à machine à glaçons non dilué directement dans la zone de pulvérisation. Reportez-vous à l'illustration ci-dessous.
- 4 Un cycle de nettoyage de 10 minutes commence, suivi de huit cycles de rinçage. Lorsque le processus est terminé, le voyant CLEAN (nettoyage) n'est plus illuminé. Le cycle de nettoyage au complet prend environ 30 minutes.
- 5 Touchez à « CLEAN » (nettoyage). Attendez trois minutes jusqu'à ce que le voyant CLEAN (nettoyage) clignote, puis soulevez les volets d'eau et versez 1 cuillère à soupe (15 ml) de désinfectant à machine à glaçons non dilué directement dans la zone de pulvérisation.
- 6 Un cycle de désinfection de 10 minutes commence, suivi de huit cycles de rinçage. Lorsque le processus est terminé, le voyant CLEAN (nettoyage) n'est plus illuminé. Le cycle de désinfection au complet prend environ 30 minutes.



Emplacement des volets d'eau.

## Nettoyage

### NETTOYAGE DU CONDENSATEUR

#### ▲ MISE EN GARDE

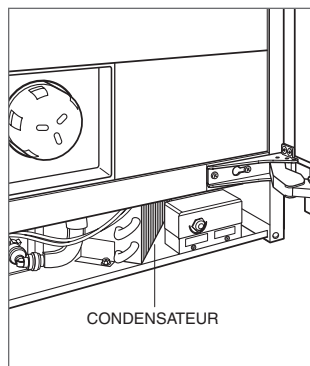
Avant de nettoyer le condensateur, coupez l'alimentation sur le panneau de commande. Portez des gants pour éviter toute blessure causée par les ailettes tranchantes du condensateur.

Le condensateur est situé derrière la plaque de protection. Pour y accéder, retirez la plaque de protection. Utilisez une brosse à soie souple et un aspirateur pour éliminer la poussière et les peluches de la zone du condensateur. Nettoyez le condensateur tous les six mois. Reportez-vous à l'illustration ci-dessous.

**REMARQUE IMPORTANTE :** pour éviter d'endommager les ailes du condensateur, passez l'aspirateur dans la direction des ailettes.

#### ▲ MISE EN GARDE

L'omission de nettoyer le condensateur pourrait entraîner une perte de température, une défaillance mécanique ou des dommages.



Emplacement du condensateur.

## Entretien

### REPLACEMENT DU FILTRE À EAU

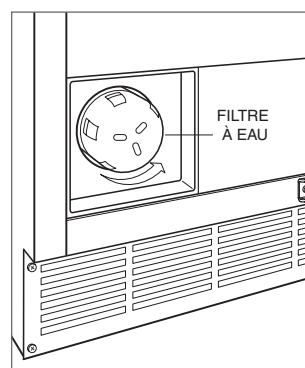
Le filtre à eau doit être remplacé tous les six mois, après un arrêt prolongé ou après 8 000 cycles de production de glaçons. Les mots « REPLACE FILTER » (remplacer le filtre) s'illuminent sur le panneau de commande pour indiquer que le filtre à eau doit être remplacé. La machine à glaçons contourne le filtre lorsqu'il est enlevé, donc il n'est pas nécessaire de couper l'alimentation en eau.

Des filtres à eau Sub-Zero de rechange peuvent être commandés en ligne à [subzerowolfstore.com](http://subzerowolfstore.com). Pour toute question, communiquez avec le service à la clientèle de Sub-Zero à 800-222-7820.

**REMARQUE IMPORTANTE :** Une mauvaise qualité d'eau peut nécessiter un remplacement plus fréquent du filtre à eau.

Pour remplacer le filtre à eau :

- 1 Pour retirer le filtre à eau, tournez-le d'un quart de tour dans le sens antihoraire et il sortira. Reportez-vous à l'illustration ci-dessous.
- 2 Inversez le processus pour installer le nouveau filtre.
- 3 Enfoncez et tenez la touche « CLEAN » (nettoyage) pendant six secondes pour réinitialiser l'indicateur.



Emplacement du filtre à eau.

## Entretien

### ARRÊT PROLONGÉ

Si la machine à glaçons sera retirée du service pendant une période prolongée ou exposée à des températures de 32 °F (0 °C) ou moins, suivez la procédure pour l'arrêt prolongé et l'hivernisation.

#### Arrêt prolongé et hivernisation

- 1 Effectuez la procédure de nettoyage et de désinfection décrite à la page 7 pour éviter la croissance de moisissure.
- 2 Débranchez l'alimentation électrique au niveau du disjoncteur ou du panneau de commande.
- 3 Coupez l'alimentation en eau.
- 4 Retirez l'eau du réservoir d'eau.
- 5 Débranchez la conduite d'alimentation en eau d'admission à l'arrière de la machine et laissez-la se vider.
- 6 Débranchez le tuyau en vinyle de la pompe à eau et laissez-le se vider.
- 7 Assurez-vous qu'il n'y ait pas d'eau piégée dans aucune des conduites d'alimentation ou d'évacuation d'eau. De l'air comprimé peut être utilisé pour dégager les conduites.
- 8 Utilisez un flacon pulvérisateur avec une solution de 1 cuillère à soupe (15 ml) de désinfectant pour 1 gallon (3,8 l) d'eau et pulvérisez toutes les surfaces intérieures. Ne rincez pas; laissez sécher à l'air.
- 9 Bloquez la porte en position partiellement ouverte pour fournir un courant d'air et empêcher la croissance de moisissure.

SYSTÈME DE FILTRATION D'EAU SUB-ZERO MODÈLE 56145 (CARTOUCHE DE RECHANGE 7012333).



Le système a été testé et certifié par la NSF International en vertu de la norme 42 de la NSF/ANSI pour la réduction du goût et de l'odeur de chlore, particule de catégorie III.

Ces systèmes ont été testés conformément à la norme 42 de la NSF/ANSI pour la réduction des substances indiquées ci-dessous. La concentration des substances indiquées dans l'eau entrant dans le système a été réduite à une concentration inférieure ou égale à la limite permise pour l'eau quittant le système, comme il est précisé dans la norme 42 de la NSF/ANSI.

RÉDUCTION DES CONTAMINANTS DÉTERMINÉE PAR LES ESSAIS DE LA NSF

Réduction des contaminants	Concentration influente moyenne	Concentration influente d'amorce—les unités s'appliquent à chaque rangée	Concentration moyenne en eau du produit	% moyen de réduction	Exigences de réduction NSF	Test NSF
Taille des particules de catégorie III : >5 à <15 um	6 533	Au moins 10 000 particules/ml	1 479	97,7	≥ 85 %	516550-05
Chlore, goût et odeur	2,1	2,0 mg/l ± 10 %	0,27	87,1	≥ 50 %	516549-05

DIRECTIVES D'APPLICATION | PARAMÈTRES D'ALIMENTATION EN EAU

Pour utilisation avec de l'eau froide seulement.

Capacité : 2 800 gallons (10 600 litres) selon les conditions d'eau locales

Débit de service : 0,75 g/min (2,84 l/min)

Alimentation en eau : communautaire ou puits privé

Pression d'eau : 25–125 lb/po<sup>2</sup> (172–862 kPa)

Température de l'eau : 35 °F–100 °F (1,7 °C–38 °C)

REMARQUES SPÉCIALES

- Il est essentiel de respecter les exigences de fonctionnement, d'entretien et de remplacement du filtre pour que ce produit fonctionne comme indiqué. Remplacez les cartouches tous les six mois. Utilisez la cartouche de rechange 7012333.
- N'utilisez pas de l'eau qui est microbiologiquement insalubre ou de l'eau de qualité inconnue sans une désinfection adéquate avant ou après le système.
- Les systèmes doivent être installés et utilisés conformément aux procédures et aux directives recommandées par le fabricant.
- Veuillez noter que bien que les essais aient été effectués dans des conditions de laboratoire normales, la performance réelle peut varier.

Fabriqué pour : Sub-Zero, Inc., P. O. Box 44848, Madison, WI 53744 É.-U., 800-222-7820

GARANTIE LIMITÉE DE LA CARTOUCHE FILTRANTE

Sub-Zero réparera ou remplacera toute cartouche filtrante qui s'avèrera défectueuse en vertu des matériaux ou de la fabrication pendant une période d'un an à compter de la date d'achat. La garantie ne couvre pas le remplacement ordinaire durant l'usage normal. Pour les réclamations de garantie, composez le 800-222-7820.

La garantie s'applique seulement aux produits installés dans l'un des cinquante États des États-Unis, dans le District of Columbia ou les dix provinces du Canada. Cette garantie ne couvre pas les pièces ou la main d'œuvre pour corriger tout défaut causé par une mauvaise qualité d'eau locale, de la négligence, un accident ou une utilisation, un entretien, une installation, un service ou une réparation inappropriés.

Les remèdes décrits ci-dessous pour chaque garantie sont les seuls offerts par Sub-Zero, en vertu de ces garanties ou en vertu de toute garantie découlant de l'opération de la loi. Sub-Zero ne sera pas responsable des dommages indirects ou consécutifs issus de la violation de ces garanties ou de toute autre garantie, expresse, implicite ou légale.

Certaines provinces ne permettent pas l'exclusion ou la restriction des dommages indirects ou consécutifs, par conséquent, la limite ou l'exclusion ci-dessus peut ne pas s'appliquer à votre cas. Cette garantie vous confère des droits légaux précis et vous pouvez aussi avoir d'autres droits légaux qui peuvent varier d'une province à l'autre.

State of California  
Department of Public Health  
Water Treatment Device  
Certificate Number  
05 - 1708

Date Issued: April 18, 2010

---

---

**Trademark/Model Designation**

Sub-Zero 4290510

**Replacement Elements**

4204490

---

---

**Manufacturer:** 3M Purification Inc.

The water treatment device(s) listed on this certificate have met the testing requirements pursuant to Section 116830 of the Health and Safety Code for the following health related contaminants:

**Microbiological Contaminants and Turbidity**

Cysts  
Turbidity

**Inorganic/Radiological Contaminants**

Asbestos  
Lead  
Mercury

**Organic Contaminants**

Atrazine  
Benzene  
Carbofuran  
Lindane  
p-dichlorobenzene  
Toxaphene

---

---

**Rated Service Capacity:** 750 gals

**Rated Service Flow:** 0.78 gpm

**Conditions of Certification:**

Do not use where water is microbiologically unsafe or with water of unknown quality, except that systems certified for cyst reduction may be used on disinfected waters that may contain filterable cysts.



### Dépannage

#### FONCTIONNEMENT DE L'UNITÉ

**La machine à glaçons ne fonctionne pas.**

- Assurez-vous qu'il y a du courant.
- Vérifiez l'alimentation électrique vers la machine à glaçons et assurez-vous que le disjoncteur est en marche.

**La machine à glaçons fonctionne, mais aucun glaçon n'est produit.**

- Vérifiez la connexion vers l'alimentation en eau.
- Vérifiez que le filtre à eau n'est pas obstrué. Remplacez le filtre à eau, puis suivez la procédure de nettoyage et désinfection décrite à la page 7.
- Vérifiez que les buses de pulvérisation ne sont pas bloquées. Suivez la procédure de nettoyage et de désinfection décrite à la page 7.
- Vérifiez que la pression d'eau atteint de 20 lb/po<sup>2</sup> (1,4 bar) à 80 lb/po<sup>2</sup> (5,5 bars).
- Vérifiez le réglage du thermostat dans le bac; reportez-vous à la page 5.
- Vérifiez que la température ambiante se trouve entre 50 °F (10 °C) et 100 °F (40 °C) pour le modèle pour l'intérieur et entre 50 °F (10 °C) et 110 °F (45 °C) pour le modèle pour l'extérieur.

**L'unité a besoin d'être nettoyée et désinfectée fréquemment.**

- Consultez un professionnel qualifié pour faire évaluer la qualité de l'eau et obtenir des recommandations sur un traitement d'eau approprié.
- Communiquez avec le service certifié par l'usine de Sub-Zero pour faire démonter l'unité et la faire nettoyer et désinfecter à fond.

#### PRODUCTION DE GLAÇONS

**Faible production de glaçons.**

- Nettoyez le condensateur; reportez-vous à la page 8.
- Vérifiez la connexion vers l'alimentation en eau froide.
- Vérifiez que le filtre à eau n'est pas obstrué. Remplacez le filtre à eau, puis suivez la procédure de nettoyage et désinfection décrite à la page 7.
- Vérifiez le fonctionnement de la soupape d'admission d'eau.
- Vérifiez que la température ambiante se trouve entre 50 °F (10 °C) et 100 °F (40 °C) pour le modèle pour l'intérieur et entre 50 °F (10 °C) et 110 °F (45 °C) pour le modèle pour l'extérieur.
- Communiquez avec le service certifié par l'usine de Sub-Zero si vous ne réussissez pas à résoudre le problème.

**Mauvaise qualité de glaçons, les glaçons sont minces, incomplets ou blancs.**

- Suivez la procédure de nettoyage et de désinfection décrite à la page 7.
- Remplacez le filtre à eau; reportez-vous à la page 8.
- Modifiez le poids des glaçons; reportez-vous à la page 5.
- Vérifiez que l'adoucisseur d'eau fonctionne correctement (le cas échéant).
- Consultez un professionnel qualifié pour faire évaluer la qualité de l'eau et obtenir des recommandations sur un traitement d'eau approprié.
- Communiquez avec le service certifié par l'usine de Sub-Zero pour faire démonter l'unité et la faire nettoyer et désinfecter à fond.



### Dépannage

#### SERVICE

- Préservez la qualité intégrée dans votre produit en communiquant avec un service certifié par l'usine Sub-Zero. Pour obtenir le nom du centre de service Sub-Zero certifié par l'usine le plus près de chez vous, consultez la section Contact et assistance de notre site Web, [subzero.com](http://subzero.com) ou appelez le service à la clientèle de Sub-Zero au 800-222-7820.
- Avant d'appeler pour obtenir du service, ayez en main les numéros de modèle et de série de votre unité. Les deux numéros sont indiqués sur la plaque signalétique du produit. Reportez-vous à la page 4 pour connaître l'emplacement de la plaque signalétique.
- Pour les besoins de la garantie, vous devrez aussi avoir la date d'installation et le nom de votre dépositaire Sub-Zero autorisé. Ces renseignements doivent être notés à la page 2.

## Garantie limitée résidentielle Sub-Zero

POUR UTILISATION RÉSIDENIELLE

### GARANTIE COMPLÈTE DE DEUX ANS\*

Pendant deux ans à compter de la date d'installation originale, cette garantie de produit Sub-Zero couvre toutes les pièces et la main d'œuvre pour réparer ou remplacer, selon un usage résidentiel normal, toute partie du produit qui s'avérerait défectueuse en vertu des matériaux ou de la fabrication. Le service fourni par Sub-Zero en vertu de la garantie ci-dessus doit être effectué par un centre de service Sub-Zero certifié par l'usine, à moins d'être précisé autrement par Sub-Zero, Inc. Le service sera fourni pendant les heures normales d'ouverture.

### GARANTIE COMPLÈTE DE CINQ ANS SUR LE SYSTÈME SCELLÉ

Pendant cinq ans à compter de la date d'installation originale, cette garantie de produit Sub-Zero couvrira toutes les pièces et la main d'œuvre pour réparer ou remplacer, selon un usage résidentiel normal, les pièces qui s'avéreraient défectueuses en vertu des matériaux ou de la fabrication : le compresseur, le condensateur, l'évaporateur, le déshydrateur et toute la tuyauterie de connexion. Le service fourni par Sub-Zero en vertu de la garantie ci-dessus doit être effectué par un centre de service Sub-Zero certifié par l'usine, à moins d'être précisé autrement par Sub-Zero, Inc. Le service sera fourni pendant les heures normales d'ouverture.

### GARANTIE LIMITÉE DE DOUZE ANS SUR LE SYSTÈME SCELLÉ

Pendant douze ans à compter de la date originale d'installation, Sub-Zero réparera ou remplacera les pièces suivantes qui s'avéreront défectueuses en vertu des matériaux ou de la fabrication : le compresseur, le condensateur, l'évaporateur, le déshydrateur et toute la tuyauterie de connexion. Si le propriétaire utilise le service Sub-Zero certifié en usine, le fournisseur de service réparera ou remplacera ces pièces et le propriétaire paiera pour tous les autres frais, y compris la main d'œuvre. Si le propriétaire utilise un service non certifié, il doit communiquer avec Sub-Zero, Inc. (avec les renseignements ci-dessous) pour obtenir des pièces réparées ou de rechange. Sub-Zero ne remboursera pas le propriétaire pour les pièces achetées d'un service non certifié ou d'autres sources.

### CONDITIONS S'APPLIQUANT À CHAQUE GARANTIE

La garantie s'applique uniquement aux produits installés pour un usage résidentiel normal. La garantie s'applique seulement aux produits installés dans l'un des cinquante États des États-Unis, dans le District of Columbia ou les dix provinces du Canada. Cette garantie ne couvre pas les pièces ou la main d'œuvre pour corriger tout défaut causé par de la négligence, un accident ou une utilisation, un entretien, une installation, un service ou une réparation inappropriés.

**LES REMÈDES DÉCRITS CI-DESSUS POUR CHAQUE GARANTIE SONT LES SEULS QUI SONT OFFERTS PAR SUB-ZERO, INC. EN VERTU DE CETTE GARANTIE OU EN VERTU DE TOUTE GARANTIE DÉCOULANT DE L'OPÉRATION DE LA LOI. SUB-ZERO, INC. NE SERA PAS RESPONSABLE DES DOMMAGES INDIRECTS OU CONSÉCUTIFS DÉCOULANT DE LA VIOLATION DE CETTE GARANTIE OU DE TOUTE GARANTIE, EXPRESSE, IMPLICITE OU LÉGALE.**

Certaines provinces ne permettent pas l'exclusion ou la restriction des dommages indirects ou consécutifs, par conséquent, la limite ou l'exclusion ci-dessus peut ne pas s'appliquer à votre cas. Cette garantie vous confère des droits légaux précis et vous pouvez aussi avoir d'autres droits légaux qui peuvent varier d'une province à l'autre.

Pour obtenir des pièces et/ou du service et le nom du centre de service Sub-Zero certifié par l'usine le plus près de chez vous, communiquez avec Sub-Zero, Inc., P.O. Box 44848, Madison, WI 53744 É.-U.; vérifiez la section contact et assistance de notre site Web, [subzero.com](http://subzero.com), envoyez-nous un courriel à [customerservice@subzero.com](mailto:customerservice@subzero.com) ou composez le 800-222-7820.

\*L'acier inoxydable (les portes, les panneaux, les poignées, les cadres et les surfaces intérieures) est couvert par une garantie limitée de 60 jours sur les pièces et la main d'œuvre pour toute défectuosité cosmétique.

\*Les cartouches du filtre à eau et de purification d'air de rechange ne sont pas couvertes par la garantie du produit.



## Garantie limitée pour l'extérieur de Sub-Zero\*

POUR UTILISATION RÉSIDENIELLE

### GARANTIE COMPLÈTE D'UN AN\*\*

Pendant un an à compter de la date d'installation originale, cette garantie de produit Sub-Zero couvre toutes les pièces et la main d'œuvre pour réparer ou remplacer, selon un usage résidentiel normal, toute partie du produit qui s'avérerait défectueuse en vertu des matériaux ou de la fabrication. Le service fourni par Sub-Zero en vertu de la garantie ci-dessus doit être effectué par un centre de service Sub-Zero certifié par l'usine, à moins d'être précisé autrement par Sub-Zero, Inc. Le service sera fourni pendant les heures normales d'ouverture.

### GARANTIE COMPLÈTE DE CINQ ANS SUR LE SYSTÈME SCELLÉ

Pendant cinq ans à compter de la date d'installation originale, cette garantie de produit Sub-Zero couvrira toutes les pièces et la main d'œuvre pour réparer ou remplacer, selon un usage résidentiel normal, les pièces qui s'avèreraient défectueuses en vertu des matériaux ou de la fabrication : le compresseur, le condensateur, l'évaporateur, le déshydrateur et toute la tuyauterie de connexion. Le service fourni par Sub-Zero en vertu de la garantie ci-dessus doit être effectué par un centre de service Sub-Zero certifié par l'usine, à moins d'être précisé autrement par Sub-Zero, Inc. Le service sera fourni pendant les heures normales d'ouverture.

### CONDITIONS S'APPLIQUANT À CHAQUE GARANTIE

La garantie s'applique uniquement aux produits installés pour un usage résidentiel normal. La garantie s'applique seulement aux produits installés dans l'un des cinquante États des États-Unis, dans le District of Columbia ou les dix provinces du Canada. Cette garantie ne couvre pas les pièces ou la main d'œuvre pour corriger tout défaut causé par de la négligence, un accident ou une utilisation, un entretien, une installation, un service ou une réparation inappropriés.

**LES REMÈDES DÉCRITS CI-DESSUS POUR CHAQUE GARANTIE SONT LES SEULS QUI SONT OFFERTS PAR SUB-ZERO, INC. EN VERTU DE CETTE GARANTIE OU EN VERTU DE TOUTE GARANTIE DÉCOULANT DE L'OPÉRATION DE LA LOI. SUB-ZERO, INC. NE SERA PAS RESPONSABLE DES DOMMAGES INDIRECTS OU CONSÉCUTIFS DÉCOULANT DE LA VIOLATION DE CETTE GARANTIE OU DE TOUTE GARANTIE, EXPRESSE, IMPLICITE OU LÉGALE.**

Certaines provinces ne permettent pas l'exclusion ou la restriction des dommages indirects ou consécutifs, par conséquent, la limite ou l'exclusion ci-dessus peut ne pas s'appliquer à votre cas. Cette garantie vous confère des droits légaux précis et vous pouvez aussi avoir d'autres droits légaux qui peuvent varier d'une province à l'autre.

Pour obtenir des pièces et/ou du service et le nom du centre de service Sub-Zero certifié par l'usine le plus près de chez vous, communiquez avec Sub-Zero, Inc., P.O. Box 44848, Madison, WI 53744 É.-U.; vérifiez la section contact et assistance de notre site Web, [subzero.com](http://subzero.com), envoyez-nous un courriel à [customerservice@subzero.com](mailto:customerservice@subzero.com) ou composez le 800-222-7820.

\*Le produit doit être approuvé pour utilisation à l'extérieur, désigné par le numéro de modèle et de série.

\*L'acier inoxydable (les portes, les panneaux, les poignées, les cadres et les surfaces intérieures) est couvert par une garantie limitée de 60 jours sur les pièces et la main d'œuvre pour toute défectuosité cosmétique.

\*\*Les filtres à eau de rechange ne sont pas couverts par la garantie du produit.





**SUB\*ZERO**

SUB-ZERO, INC. P.O. BOX 44848 MADISON, WI 53744 SUBZERO.COM 800.222.7820

7024817 REV-C 9/2016

