

UB 501
Undercounter



 GERMAN
ENGINEERING

LIEBHERR
Quality, Design and Innovation

The 24" **UB 501** takes both the designer and the user in mind, offering convenient features and design flexibility to fit any room, whether it's in a home or business. The universally designed, one-door 32°F refrigerator can be adjusted in height to match that of the counter space, providing an optimal fit for countertops up to 34" high. Like all Liebherr integrated appliances, the UB 501 uses door-on-door technology, allowing custom panels to be affixed directly onto the appliance door, ensuring seamless integration within your custom design, as well as easy installation.

This **UB 501** consists of three full BioFresh compartments, which helps foods retain their healthy vitamins, aromas, and appetizing appearance for significantly longer than in conventional refrigerators. Included in one of the BioFresh drawers is Liebherr's FlexSystem storage solution, where fruits and vegetables can be clearly organized and separated, or stored according use-by date. The UB 501 also includes a hidden compartment at the bottom of the refrigerator for additional storage.

This undercounter model is the perfect solution for when you require additional storage of your freshest and healthiest organic foods. The **UB 501** can be installed in a Side-by-Side combination alongside other undercounter refrigerators, freezers, beverage centers, or wine cabinets as part of a central food and beverage hub. Noise is kept to a minimum thanks to virtually silent, speed controlled, and specially-absorbed compressors along with a low noise cooling circuit, ensuring exact performance, energy efficiency and SuperQuiet operation.



Undercounter

UB 501 Premium



Energy consumption (kWh/y)

214

Estimated Yearly Energy Cost in US \$*

26

Sound rating dB(A)**

38

Refrigerator capacity cu.ft. (l)

2.8 (80)

BioFresh comp. cu.ft. (l)

2.8 (80)

Number of shelves

2

Number of BioFresh drawers

3 with LED lighting

Electronic control

MagicEye with LCD temp. display, touch electronic

Refrigerator temperature range °F (°C)***

+32°F (0°C)

Defrost type

automatic

Door alarm

visual and acoustic

Gallon storage

yes

Door type

panel ready or stainless steel panel as accessory

SoftSystem

yes

Door hinges

left, reversible

Product dimensions (H/W/D) in. (cm)

32 5/16"-34 11/16" / 23 9/16" / 21 11/16" (82-88/59.7/55)

Cut out dimensions (H/W/D) in. (cm)

32 5/16"-34 11/16" / 23 5/8" / 21 11/16" (82-88/60/55)

Net weight lbs. (kg)

83.6 (37.9)

Voltage V/Hz

115/60

* Estimated energy cost will depend on utility rates and use. Estimated energy cost based on a national average electricity cost of 12 cents per kWh.

** Noise output – according to EN 60704-3.

*** BioFresh bins temperatures 32°F (0°C).



German Engineering: Our superior products offer premium quality, cutting edge design, and innovative features that best fit your lifestyle. The use of high quality materials, perfectly detailed finishes, and elite cooling components are combined with the latest production processes, resulting in an outstanding cooling product.



Energy Star: The entire line of North American Liebherr appliances meet or exceed ENERGY STAR® rating requirements, greatly reducing greenhouse emissions and energy costs.



Bio Fresh

BioFresh: BioFresh guarantees the perfect climate for super-long-term freshness. Each drawer can be used individually and provides ideal humidity – HydroSafes with high humidity or DrySafes with low humidity – for a versatile storage solution of meats and cheeses as well as fruits and vegetables.



Super Quiet

SuperQuiet: Noise levels are kept to a minimum thanks to virtually silent, speed-controlled, and sound absorbing compressors. Alongside a low noise cooling circuit, these features ensure exact performance, energy efficiency, and SuperQuiet operation.



Soft System

SoftSystem: Doors close automatically and gently from a minimum opening angle of approx. 30° thanks to our SoftSystem technology, which eliminates slamming even when shelves are fully loaded.



Electronic Control

Electronic Display: Our intuitive electronic touch control panel ensures all functions are easy and convenient to use as well as guarantees that the settings selected remain accurate and constant.

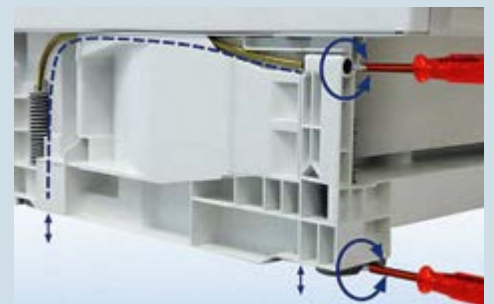


LED

LED: The LED lighting housing is integrated into the side of the inner compartment and its central position provides optimal illumination. Flush integration guarantees a greater net capacity and more storage space.

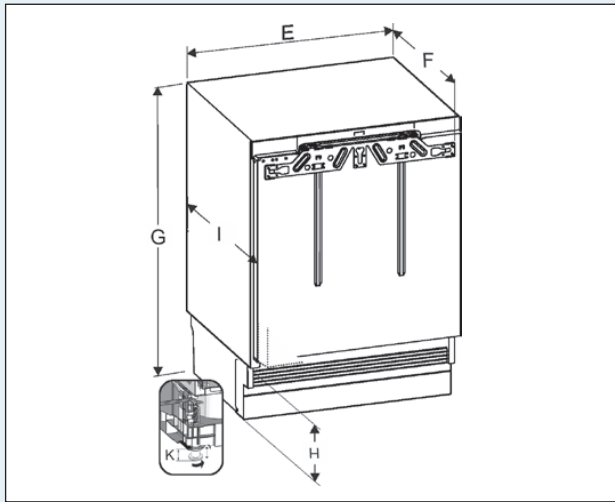


Door-on-Door: Liebherr's door-on-door technology allows custom panels to be affixed directly onto the appliance door, ensuring seamless integration within your custom design, as well as easy installation.



Vario Toe Kick: The Vario Toe Kick permits the adjustment of kitchen units in height and depth. All four height-adjustable feet permit adjustment from the front within a 2" range. In addition, the ventilation grille can be adjusted within a range of 2" to match the front of the kitchen units.

Appliance Dimensions



E	23 - 1/2" (597 mm)
F	closed: 21 - 5/8" (550 mm) max. opened: 55 - 5/8" (1412,9 mm)
G	adjustable feet screwed in: 32 - 1/4" (819,5 mm) adjustable feet screwed out max: 34 - 1/4" (869,5 mm)
H	6 - 5/8" - 8 - 9/16" (168 mm - 218 mm)
I	21 - 1/4" (540 mm)
K	max. height adjustment: 2" (max. 50 mm)

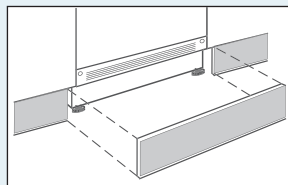
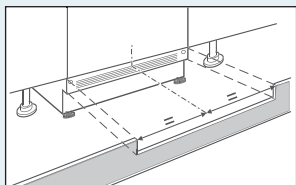
Toe Kick Installation

The toe kick installation will be different depending on the cabinetry where the appliance is installed. A toe kick panel will be required to cover the gap between the ventilation grill and the floor.

A cut-out in the toe kick panel is necessary when the toe kick covers the ventilation openings of the ventilation grill.

If the cabinets do not have a toe kick, a toe kick can be prepared and fitted just in front of the appliance.

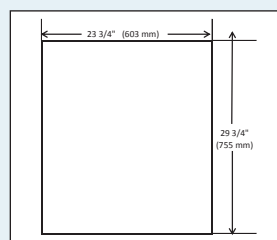
A stainless steel adjustable toe kick is provided with the unit. A custom panel toe kick can also be used.



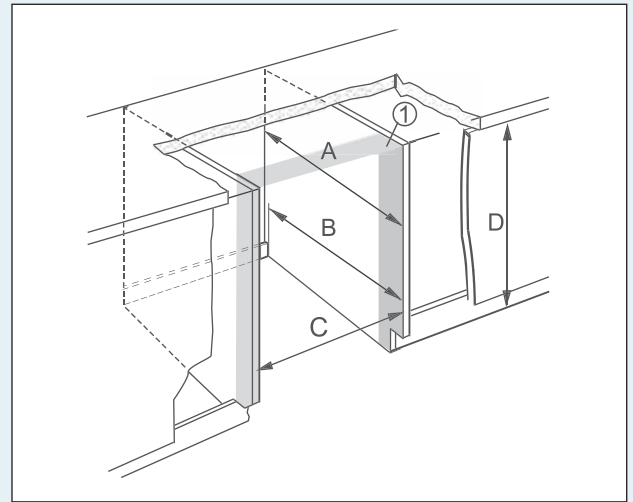
Door Panel for Standard Toe Kick

These panel dimensions are for inset flush installation in a standard cabinet opening of 24" (610 mm) wide with a cabinet that is 30" (762 mm) tall plus a 4" (102 mm) or 4 1/2" (115 mm) toe kick.

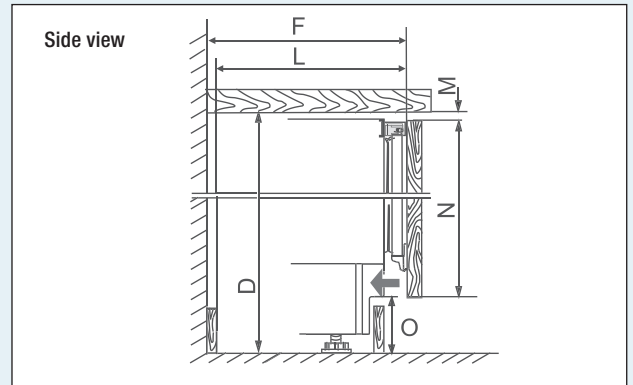
If the cabinet opening is different you will need to modify the door panel accordingly.



Cabinet Dimensions



A	min. 21 - 5/8" (min. 550 mm)
B	21 - 1/4" (540 mm)
C	23 - 5/8" - 24" (600 mm - 610 mm)
D	32 - 1/4" - 34 - 5/8" (820 mm - 880 mm)
	3" (approx. 76 mm) of the cabinet needs to be finished as it can be seen when the door is open.



D	32 - 1/4" - 34 - 5/8" (820 mm - 880 mm)
F	closed: 21 - 5/8" (550 mm) max. opened: 55 - 5/8" (1412,9 mm)
L	21 - 1/4" (540 mm)
M	1/8" (4 mm)
N	25 - 7/16" - 30 - 5/16" (646 mm - 770 mm)
O	max. 4" - 6" (max. 102 mm - 152 mm)

