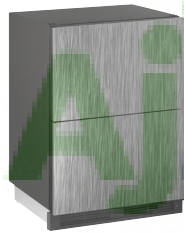


**1224DWR • 24" Solid Refrigerator Drawers • 1000 Series**

**FEATURES & BENEFITS**



STAINLESS SOLID



INTEGRATED SOLID

**PERFORMANCE**

- Volume of 5.4 cu ft holds up to 98 bottles (12 oz) or 150 cans (12 oz)
- Digital Touch Pad Control is conveniently located in top drawer
- Temperature range: 34°F - 45°F
- Digital passive cooling system
- Maintains temperature to within 1°F of the set point to maximize preservation

**INTERIOR/EXTERIOR**

- Black interior is illuminated with LED lighting
- Equipped with 2 full-extension robust stainless drawers
- Standard commercial stainless steel handle is interchangeable with professional handle accessory

**INTEGRATION**

- Unit is designed to be built-in or can be freestanding with the freestanding accessory kit
- Integrated model requires ¾" custom door panel
- Four independently adjustable leveling legs provide a precise undercounter fit
- Available in the following finishes: Stainless or Integrated

**MODEL DETAILS**

| Model            | Voltage | Door Swing | Finish           | Shipping Weight |
|------------------|---------|------------|------------------|-----------------|
| U-1224DWRS-00A   | 115     | Drawers    | Stainless Solid  | 142 lbs         |
| U-1224DWRINT-00A | 115     | Drawers    | Integrated Solid | 134 lbs         |

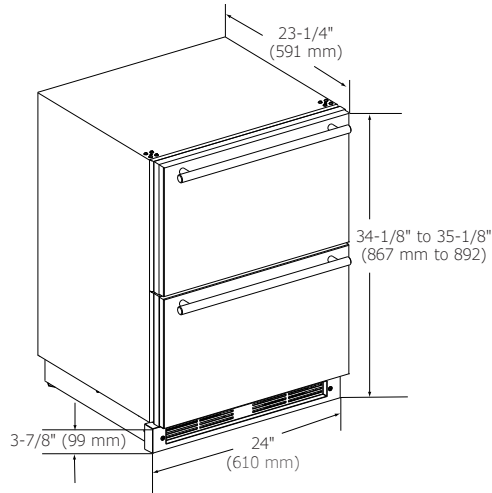
**ACCESSORIES**

| Model    | Description                                  | Finish    | Shipping Weight |
|----------|--|-----------|-----------------|
| 23054-02 | Professional Drawer Handle, 1 ¼" Diameter    | Stainless | 2 lbs           |
| 23050-02 | Commercial Drawer Handle, 7/8" Diameter      | Stainless | 2 lbs           |
| U-FSK-B  | Freestanding Kit                             | Black     | 3 lbs           |
| 26013    | 1k Top Drawer Slide and Divide Bin Organizer | na        | 3 lbs           |

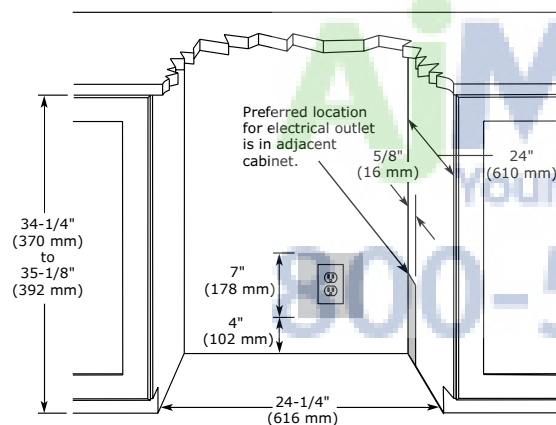
1000 Series • 24" Solid Refrigerator Drawers • 1224DWR

**DIMENSIONS**

Dimensions shown apply to all finishes, including Integrated (INT) models with 3/4" overlay panel/frame installed.



**CABINET CUT-OUT**



**SPECIFICATIONS**

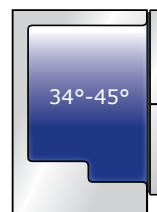
|                                   |                   |
|-----------------------------------|-------------------|
| Model                             | 1224DWR           |
| Amps: Running                     | 1.2               |
| Capacity: Bottle (12 oz)          | 98                |
| Capacity: Can (12 oz)             | 150               |
| Capacity: Volume (cu ft)          | 5.4               |
| Control Type                      | Digital Touch Pad |
| Dimensions: Product Depth         | 23 1/4" / 591 mm  |
| Dimensions: Product Height        | 34 1/8" / 867 mm  |
| Dimensions: Product Width         | 24" / 610 mm      |
| Energy Consumption: Avg. Per Year | 305 kWh           |
| ENERGY STAR                       | No                |
| Product Weight: Max               | 132 lbs           |
| Refrigerant Type                  | R600a             |
| Sabbath (Star K Certified)        | Yes               |
| Temperature Range                 | 34°F - 45°F       |

**INSTALLATION NOTES**

Cutout includes the additional 1/4" width overall to ensure proper installation.

No additional clearance around sides, top or rear of unit is needed for ventilation.

**COOLING SYSTEM**



**ELECTRICAL REQUIREMENTS**

This unit requires a grounded a polarized 115 VAC, 60 Hz, 15 A power supply (normal household current).



Residential & Commercial

Please visit [u-line.com](http://u-line.com) to view this model's User Guide. All specifications are subject to change without notice.