



WALL

## BREEZE THROUGH COOKING

Tivano significantly evolves the under the cabinet models, bridging the gap with the PRO versions. Designed for aspiring chefs or simply food enthusiasts, the new models are ideal for those looking for a premium product for their kitchen. The attention to detail makes Tivano esthetically pleasing.

- Easy to control electronic user interface
- Auto-off timer
- Dimmable LED Lighting
- ADA compliant remote-control option
- Premium Stainless-steel
- Built-in ductless vents for easy recirculating



## AVAILABLE MODELS

Model #	Size / Color	Motor Class (CFM)
TVNO30SS395	30" Stainless Steel	395 CFM
TVNO36SS395	36" Stainless Steel	395 CFM

THE **ENERGY-EFFICIENT** MOTOR  
ALLOWS FOR LONGER DUCT RUNS,  
**IMPROVING PERFORMANCE**



# TIVANO

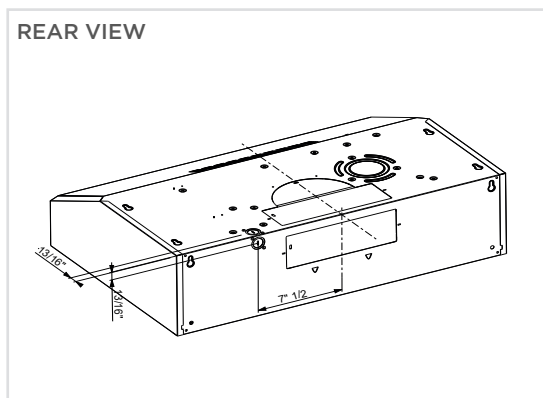
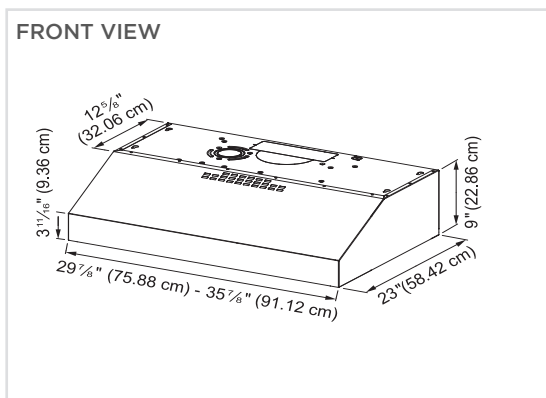
WALL

MODEL	SIZE/MATERIAL	MOTOR CLASS
TVNO30SS395	30" Stainless Steel	395 CFM
TVNO36SS395	36" Stainless Steel	395 CFM



FEATURES		PERFORMANCE		ACCESSORIES
<b>Dimensions</b>		<b>Motor</b>		<b>FILTERS</b>
Canopy Depth-Height	23" D x 9" H	No. of Fan Speed	4	Charcoal Filter Kit
<b>Ducting</b>		Motor Class	395 CFM	<b>REMORIG</b>
Type	Ducted/Ductless	Energy-Efficient Motor	Yes	Wireless Remote Control
Top Vent	Vari-Duct 7" Round, 3 1/4" x 10" Rectangle	<b>Display</b>		
Rear Vent	Vari-Duct 3 1/4" x 10" Rectangle	Controls	Electronic with White LED	
<b>Lighting</b>		Intensive Speed	10 Minutes	
Type	Energy-Efficient LED	Delay Shut-off	15 Minutes	
# of Bulbs	Two - 5 Watt - 1 Level	<b>Other</b>		
<b>Grease Filters</b>		ADA Compliant	With Remote Control	
Filter Type	Stainless Steel Mesh	Remote Control	Purchase Separately	
Dishwasher Safe	Yes	Fixed Wiring Box	Yes	

## DIMENSIONAL DRAWINGS



Rev5 822

800 Aviation Parkway, Smyrna, TN 37167 (508) 358-5353 | www.faberonline.com