

Use and care
GUIDE

Fridge-freezer combination

T36BT110NS
T36BT120NS T36IT100NP



You can find additional information and explanations online. Scan the QR code on the title page.



Table of contents

| | | | |
|---|-----------|---|-----------|
| 1 Safety | 4 | 6.3 Cold storage container | 16 |
| 1.1 Safety definitions | 4 | 6.4 Variable-temperature contain- er | 17 |
| 1.2 General information | 4 | 6.5 Suspended frozen food con- tainer | 17 |
| 1.3 Intended use | 4 | 6.6 Door tray | 17 |
| 1.4 Restrictive Use | 4 | 6.7 Ice storage container | 17 |
| 1.5 Safe transport | 5 | 6.8 Camera | 17 |
| 1.6 Safe installation | 5 | 6.9 Odor filter | 17 |
| 1.7 Safe use | 6 | 6.10 Accessories | 17 |
| 1.8 Damaged appliance | 8 | 7 Before using the appliance for the first time | 18 |
| 1.9 State of California Proposition 65 Warnings | 9 | 7.1 Performing initial start-up | 18 |
| 2 Preventing material damage | 10 | 8 Basic Operation | 19 |
| 3 Environmental protection and energy-saving | 10 | 8.1 Switching on the appliance | 19 |
| 3.1 Disposal of packaging | 10 | 8.2 Operating tips | 19 |
| 3.2 Saving energy | 11 | 8.3 Switching off the appliance | 19 |
| 4 Installation and connection | 11 | 8.4 Setting the temperature | 19 |
| 4.1 Included in delivery | 11 | 8.5 Cold storage compartment storage setting | 20 |
| 4.2 Criteria for the installation lo- cation | 11 | 8.6 Storage setting in the variable- temperature compartment | 20 |
| 4.3 Installing the appliance | 12 | 8.7 Keylock | 20 |
| 4.4 Preparing the appliance for first use | 12 | 9 Basic settings | 20 |
| 4.5 Connecting the appliance to the drinking water connec- tion | 12 | 9.1 Changing the basic settings ... | 20 |
| 4.6 Connecting the appliance to the electricity supply | 12 | 9.2 Overview of the basic set- tings | 20 |
| 5 Familiarizing yourself with your appliance | 13 | 10 Additional functions | 22 |
| 5.1 Appliance | 13 | 10.1 Super cooling | 22 |
| 5.2 Control panel | 14 | 10.2 Automatic Super freezing | 23 |
| 5.3 Control panel (variable-temper- ature compartment) | 15 | 10.3 Manual Super freezing | 23 |
| 6 Features | 16 | 10.4 Shopping mode | 24 |
| 6.1 Shelf | 16 | 10.5 Vacation mode | 24 |
| 6.2 Snack container | 16 | 10.6 Energy-saving mode | 24 |
| | | 10.7 Interior lighting | 24 |
| | | 10.8 Sabbath mode | 24 |
| | | 11 Alarm | 25 |

| | | | |
|--|-----------|---|-----------|
| 11.1 Door alarm | 25 | 19.1 Defrosting in the refrigerator compartment | 35 |
| 11.2 Temperature alarm | 25 | 19.2 Defrosting in the cold storage compartment | 35 |
| 12 Home Connect® | 25 | 19.3 Defrosting in the freezer com- partment | 35 |
| 12.1 Setting up Home Connec- t® | 26 | 19.4 Defrosting in the variable- temperature compartment | 35 |
| 12.2 Installing updates for the Ho- me Connect® software | 26 | 20 Cleaning and maintenance | 35 |
| 12.3 Resetting the Home Connect® settings | 26 | 20.1 Care instructions for stainless steel surfaces | 35 |
| 12.4 Remote Diagnostics | 26 | 20.2 Preparing the appliance for cleaning | 36 |
| 12.5 Data Protection | 27 | 20.3 Cleaning the appliance | 36 |
| 12.6 Status of the Home Con- nect® connection | 27 | 20.4 Cleaning the camera | 36 |
| 13 Service settings | 27 | 20.5 Removing the fittings | 36 |
| 13.1 Changing service settings | 27 | 20.6 Replacing the odor filter | 37 |
| 13.2 Overview of the service set- tings | 28 | 21 Troubleshooting | 38 |
| 14 Refrigerator compartment | 29 | 21.1 Power failure | 43 |
| 14.1 Tips for storing food in the re- frigerator compartment | 30 | 22 Storage and disposal | 43 |
| 14.2 Chill zones in the refrigerator compartment | 30 | 22.1 Taking the appliance out of operation | 43 |
| 15 Cold storage compartment | 30 | 22.2 Disposal of your old appli- ance | 43 |
| 15.1 Storage recommendations for the cold storage compart- ment | 30 | 23 Customer Service | 44 |
| 16 Freezer compartment | 31 | 23.1 Model number (E-Nr.), pro- duction number (FD) and consecutive numbering (Z- Nr.) | 44 |
| 16.1 Tips for storing food in the freezer compartment | 31 | 24 Technical specifications | 44 |
| 16.2 Tips for freezing fresh food ... | 31 | 24.1 Information regarding Free and Open Source Software .. | 44 |
| 16.3 Defrosting methods for frozen food | 31 | Recursos y ayuda en línea en es- pañol | 95 |
| 17 Variable-temperature com- partment | 31 | | |
| 17.1 Storage recommendations in the variable-temperature compartment | 32 | | |
| 18 Water system | 32 | | |
| 18.1 Water filter | 32 | | |
| 18.2 Water dispenser | 33 | | |
| 18.3 Ice maker | 34 | | |
| 19 Defrosting | 35 | | |



IMPORTANT SAFETY INSTRUCTIONS

READ AND SAVE THESE INSTRUCTIONS

Observe the following safety instructions.

1.1 Safety definitions

Here you can find explanations of the safety signal words used in this manual.

WARNING

This indicates that death or serious injuries may occur as a result of non-observance of this warning.

CAUTION

This indicates that minor or moderate injuries may occur as a result of non-observance of this warning.

NOTICE

This indicates that damage to the appliance or property may occur as a result of non-compliance with this advisory.

Note: This alerts you to important information.

1.2 General information

- Read this manual carefully.
- Keep the manual and the product information in a safe place for future reference or for the next owner.
- Do not connect the appliance if it has been damaged in transit.

1.3 Intended use

Only use this appliance:

- for chilling and freezing food, making ice and dispensing water.
- for normal household use and in enclosed spaces in a residential environment.
- Up to an altitude of 9842.5 ft (3000 m) above sea level.

1.4 Restrictive Use

This appliance is not intended for use by persons (including children) with reduced physical, sensory or mental capabilities, or lack of experience and knowledge, unless they have been given supervision or instruction concerning use of the appliance by a person responsible for their safety.

Do not let children play with the appliance.

Cleaning and user maintenance must not be performed by children unless they are being supervised.



IMPORTANT SAFETY INSTRUCTIONS

READ AND SAVE THESE INSTRUCTIONS

1.5 Safe transport

WARNING

The appliance is very top-heavy and may tip over.

- ▶ The appliance must be transported by two or more people.
- ▶ Do not remove the appliance from the pallet until it is ready for installation.
- ▶ Keep the doors and drawers closed until the appliance is secured in the built-in cut-out.

WARNING

The heavy weight of the appliance may result in injury when lifted.

- ▶ Do not lift the appliance on your own.

1.6 Safe installation

WARNING

To avoid risk of injury from incorrect installations, observe the following.

- ▶ Ensure all installation instructions are followed before use.
- ▶ Connect and operate the appliance only in accordance with the specifications on the rating plate.
- ▶ Connect the appliance to a power supply with alternating current only via a correctly installed socket outlet with grounding.
- ▶ The protective conductor system of the domestic electrical installation must be properly installed.
- ▶ Never equip the appliance with an external switching device, e.g. a timer or remote control.
- ▶ When the appliance is installed, the mains plug of the power cord must be freely accessible. If free access is not possible, an isolating switch must be integrated into the permanent electrical installation according to the installation regulations.
- ▶ When installing the appliance, check that the power cord is not trapped or damaged.

To avoid risk of injury from damaged insulation of the power cord, observe the following.

- ▶ Never let the power cord come into contact with heat sources.

WARNING

If the appliance's ventilation openings are closed off, a leak in the refrigeration circuit may result in a flammable mixture of gas and air.

- ▶ Keep ventilation openings in the appliance casing or in the integrated casing clear of obstruction.



IMPORTANT SAFETY INSTRUCTIONS

READ AND SAVE THESE INSTRUCTIONS

WARNING

To avoid risk of injury from an extended power cord and non-approved adapters, observe the following.

- ▶ Do NOT use power cord extensions, power strips or adapters.
- ▶ Only use the power cord provided with the appliance.
- ▶ If the power cord is too short and a longer one is not available, please contact an electrician to make the necessary changes in accordance with national and local electrical codes.

Multiple-socket strips or portable power supply units may overheat and cause a fire.

- ▶ Do not place multiple-socket strips or power supply units on the back of the appliance.

WARNING

The appliance is very top-heavy and may tip over.

- ▶ The appliance must be installed by two or more people as soon as it is no longer secured and is removed from the pallet.
- ▶ Secure the unit using the supplied anti-tip bracket.
- ▶ Do not leave the appliance unattended during installation.

CAUTION

Touching sharp edges on the appliance may lead to cuts.

- ▶ Wear protective gloves.

1.7 Safe use

WARNING

Moisture intrusion may cause an electric shock.

- ▶ Use the appliance in enclosed spaces only.
- ▶ Never expose the appliance to intense heat or humidity.
- ▶ Do not use any steam cleaners or high-pressure cleaners to clean the appliance.

WARNING

To avoid risk of suffocation of children, observe the following.

- ▶ Keep packaging material away from children.
- ▶ Do not allow children to play with packaging material.

Children may breathe in or swallow small parts, causing them to suffocate.

- ▶ Keep small parts away from children.
- ▶ Do not allow children to play with small parts.



IMPORTANT SAFETY INSTRUCTIONS

READ AND SAVE THESE INSTRUCTIONS

WARNING

Damage to the cooling circuit can create a risk of fire or explosion.

- ▶ To accelerate the defrosting process, do not use any other mechanical devices or means other than those recommended by the manufacturer.
- ▶ If food is stuck to the freezer compartment, loosen it with a blunt implement such as the handle of a wooden spoon.

Products which contain flammable propellants and explosive substances may explode, e.g. spray cans.

- ▶ Do not store products which contain flammable propellants (e.g. spray cans) or explosive substances in the appliance.

WARNING

Electrical devices placed inside the appliance may cause a fire, e.g. heaters or electric ice makers.

- ▶ Do not operate electrical devices within the appliance.

WARNING

Containers which contain carbonated drinks may burst.

- ▶ Do not store containers that contain carbonated drinks in the cold storage compartment or in the variable-temperature compartment below 34 °F (1 °C).
- ▶ Do not store containers which contain carbonated drinks in the freezer compartment.

Injury to the eyes caused by escaping flammable refrigerant and hazardous gases.

- ▶ Do not damage the tubes of the refrigerant circuit or the insulation.

WARNING

Contact with frozen food and cold surfaces may cause burns by refrigeration.

- ▶ Never put frozen food straight from the freezer compartment into your mouth.
- ▶ Avoid prolonged skin contact with frozen food, ice and surfaces in the freezer compartment.

CAUTION

To prevent food from being contaminated, you must observe the following instructions.

- ▶ Leaving the door open for an extended period of time may lead to a considerable temperature increase in the compartments of the appliance.
- ▶ Regularly clean the surfaces that may come into contact with food and accessible drain systems.
- ▶ If water has not been dispensed for 5 days, flush the water system.
- ▶ Store raw meat and fish in suitable containers in the refrigerating appliance so that they do not touch or drip on other food.



IMPORTANT SAFETY INSTRUCTIONS

READ AND SAVE THESE INSTRUCTIONS

- ▶ If the fridge/freezer is empty for an extended period of time, switch off the appliance, defrost it, clean it and leave the door open to prevent the formation of mold.

Metal or metal-style parts in the appliance may contain aluminum. If acidic food comes into contact with aluminum in the appliance, aluminum ions may pass into the food.

- ▶ Do not consume soiled food.

1.8 Damaged appliance

WARNING

To avoid risk of injury from a damaged appliance or power cord, observe the following.

- ▶ Never operate a damaged appliance.
- ▶ Never pull on the power cord to unplug the appliance. Always unplug the appliance at the power outlet.
- ▶ If the appliance or the power cord is damaged, immediately unplug the power cord or switch off the breaker in the circuit breaker box and turn off the water tap.
- ▶ Call Customer Service. → *Page 44*

To avoid risk of injury from improper repairs, observe the following.

- ▶ Only qualified technicians or authorized service providers should perform repairs.
- ▶ Only genuine spare parts may be used to repair the appliance.
- ▶ If the power cord of this appliance becomes damaged, it must be replaced by the manufacturer, the manufacturer's Customer Service, or an authorized service provider in order to prevent injury.

WARNING



To avoid risk of fire or exposure to harmful gases, observe the following. Damaged refrigerant tubes can release flammable refrigerant and harmful gases that may ignite.

- ▶ DO NOT use the appliance if you suspect the refrigerant tubes are damaged.
- ▶ Avoid open flames or sparks near the appliance.
- ▶ Unplug the appliance immediately or switch off the circuit breaker.
- ▶ Contact an authorized servicer or call Customer Service for inspection and repair → *Page 44*.



IMPORTANT SAFETY INSTRUCTIONS

READ AND SAVE THESE INSTRUCTIONS

1.9 State of California Proposition 65 Warnings

This product may contain a chemical known to the State of California, which can cause cancer or reproductive harm. Therefore, the packaging of your product may bear the following label as required by California:

STATE OF CALIFORNIA PROPOSITION 65 WARNING: /
AVERTISSEMENT ISSUE DE LA PROPOSITION 65
DE L'ÉTAT DE LA CALIFORNIE:



**WARNING /
AVERTISSEMENT**

Cancer and Reproductive Harm / Cancer et dommages à la
reproduction - www.P65Warnings.ca.gov.

2 Preventing material damage

NOTICE

The high weight of the appliance or, if not rolled in a straight line, the appliance's castors may damage the floor when the appliance is moved.

- ▶ Transport the appliance using a hand-cart.
- ▶ Use floor protection when moving the appliance, and do not move it in a zigzag fashion.

When the appliance door is closed, the mullion rail should be closed (flush with the door edge) or damage may occur.

- ▶ Never open the mullion rail manually.
- ▶ If the mullion rail has been opened, rotate it closed (flush with the door edge) before closing the appliance door.

Using the base, runners or appliance doors as a seat or climbing surface may damage the appliance.

- ▶ Do not stand or lean on the base, runners or doors.

To avoid damage to the appliance or property damage, observe the following.

- ▶ Do not connect the appliance to the water line during construction or if the water appears cloudy or contains visible particles. Failure to follow these instructions may result in foreign materials entering the appliance, which could impair its performance, or cause water leakage.

If the water pressure is too high or too low, this may impair functioning of the appliance.

- ▶ Make sure that the water pressure in the water supply system is at

least 29 psi (200 kPa) and max. 116 psi (800 kPa).

- ▶ If the water pressure exceeds the maximum value specified, a pressure-reducing valve must be installed between the drinking water connection and the hose set of the appliance.

Modified or damaged water hoses may result in material damage and damage to the appliance.

- ▶ Never kink, crush, modify or cut through water hoses.
- ▶ Never re-use water hoses that have been used before.
- ▶ Never pull on the water hose on the rear panel of the appliance.

Contamination with oil or fat may cause plastic parts and door seals to become porous.

- ▶ Keep plastic parts and door seals free of oil and grease.

Metal or metal-style parts in the appliance may contain aluminum. When aluminum comes into contact with acidic foods, it corrodes and discolors.

- ▶ Only store packaged food in the appliance.

If you clean fittings and accessories in the dishwasher, this may cause them to become deformed or discolored.

- ▶ Never clean fittings and accessories in the dishwasher.

3 Environmental protection and energy-saving

3.1 Disposal of packaging

The packaging materials are environmentally compatible and can be recycled.

- ▶ Sort the individual components by type and dispose of them separately.

3.2 Saving energy

If you follow these instructions, your appliance will use less power.

Selecting the installation location

- Keep the appliance out of direct sunlight.
- Install the appliance as far away as possible from heating elements, stoves and other heat sources:
 - Maintain a 1 1/4" (30 mm) clearance to electric or gas stoves.
 - Maintain an 11 13/16" (300 mm) clearance to oil or solid-fuel stoves.
- Never cover or block the external ventilation openings.

Saving energy during use

Note: The arrangement of the fittings does not affect the energy consumption of the appliance.

- Open the appliance only briefly and then close it carefully.
- Never cover or block the interior ventilation openings or the exterior ventilation openings.
- Transport purchased food in a cooler and place quickly in the appliance.
- Allow warm food and drinks to cool down before storing them.
- Thaw frozen food in the refrigerator compartment to utilize the low temperature of the food.
- Always leave some space between the food and to the back panel.
- Vacuum the external ventilation grilles when they are dusty.

4 Installation and connection

4.1 Included in delivery

After unpacking all the parts, check for any damage in transit and for completeness of delivery.

If you have any concerns, contact your dealer or our Customer Service → *Page 44*.

The delivery consists of the following:

- Built-in appliance
- Equipment and accessories ¹
- Installation material
- Installation instructions
- User manual
- Explanation of the limited product warranty
- Warranty enclosure ²
- Energy label
- Information on energy consumption and noises
- Information about Home Connect®

4.2 Criteria for the installation location

WARNING

If the appliance is in a space that is too small, a leak in the refrigeration circuit may result in a flammable mixture of gas and air.

- ▶ Only install the appliance in a space with a volume of at least 35 ft³ (1 m³) per 0.3 oz (8 g) refrigerant. The amount of refrigerant is indicated on the rating label.

→ "Appliance", Fig. **1**/14
Page 14

¹ Depending on the appliance specifications

² Not in all countries

The weight of the appliance from factory may be up to 575 lbs (260 kg) depending on the model. The subfloor must be sufficiently stable to bear the weight of the appliance.

4.3 Installing the appliance

- ▶ Install the appliance in accordance with the enclosed installation instructions.

4.4 Preparing the appliance for first use

1. Remove the information material.
2. Remove the protective film and transit bolts, e.g. remove the adhesive strips and cardboard.
3. Clean the appliance for the first time. → *Page 36*

4.5 Connecting the appliance to the drinking water connection

Requirements

- A shut-off valve must be installed on the water connection and be freely accessible following installation of the appliance.

- Ensure that the water coming from the water connection is potable.
 - The water hose has a sealing ring.
1. Draw mains water from the domestic drinking water connection until the water is no longer cloudy and contains no deposits.
If the mains water is still cloudy or contains deposits, install an external water filter system.
 2. Install the water hose according to the enclosed installation instructions on the appliance.

4.6 Connecting the appliance to the electricity supply

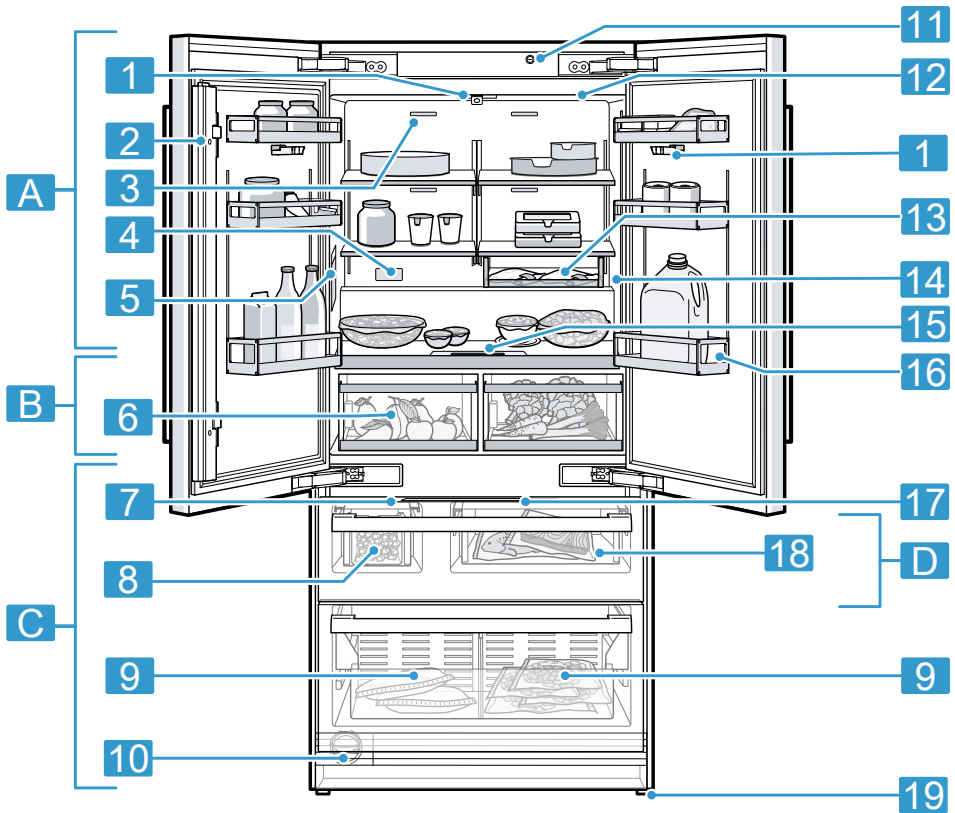
Requirement: After transporting the appliance in a horizontal position and installing it, wait at least one hour before connecting it to the mains.

1. Insert the power plug of the appliance's power cord in a socket outlet with grounding nearby.
The connection data of the appliance can be found on the rating plate.
→ "Appliance", Fig. **1**/14
Page 14
 2. Check the power plug is inserted properly.
- ✓ The appliance is now ready to use.

5 Familiarizing yourself with your appliance

5.1 Appliance

Here you can find an overview of the parts of your appliance.



1

Your appliance may differ from the diagrams with regard to cosmetic features and dimensions.

A Refrigerator compartment
→ Page 29

B Cold storage compartment
→ Page 30

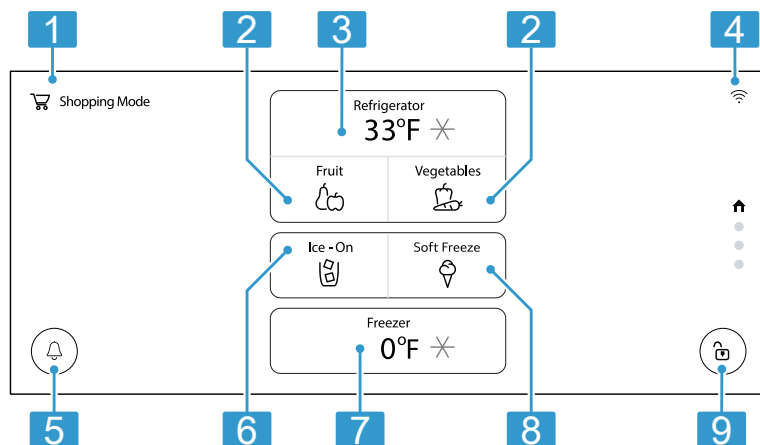
C Freezer compartment
→ Page 31

D Variable-temperature compartment
→ Page 31

| | | | |
|---|---|----|--|
| 1 | Camera | 10 | Water filter → Page 32 |
| 2 | Mullion rail with condensation protection → Page 10 | 11 | Main switch |
| 3 | Inner ventilation openings (refrigerator compartment) | 12 | Interior lighting |
| 4 | Odor filter → Page 17 | 13 | Snack container → Page 16 |
| 5 | Water dispenser → Page 33 | 14 | Rating label → Page 44 |
| 6 | Cold storage container → Page 16 | 15 | Control panel → Page 14 |
| 7 | Ice cube maker → Page 34 | 16 | Door tray for large bottles → Page 17 |
| 8 | Ice storage container → Page 17 | 17 | Control panel (variable-temperature compartment) → Page 15 |
| 9 | Suspended frozen food container → Page 17 | 18 | Variable-temperature container |
| | | 19 | Screw foot |

5.2 Control panel

You can use the control panel to configure all functions of your appliance and to obtain information about the operating status.



| | |
|---|--|
| 2 | |
| 1 | Displays the set mode. |
| 2 | Allows the cold storage compartment to be set. |
| 3 | Allows the refrigerator compartment to be set. |
| 4 | Shows the status of Home Connect®, for example, whether Home Connect® is switched on or off. |
| 5 | 🔔 opens the notification center. |

- 6** Allows ice cube production to be set.

- 7** Allows the freezer compartment to be set.

- 8** Allows the variable-temperature compartment to be set.

- 9** Switches the display's keylock on or off.

Operating logic

Some areas of the display respond to touch. You can activate settings by touching the buttons. The activated settings are highlighted on the display. You can change or deactivate the activated settings by repeatedly pressing the relevant buttons on the display.

NOTICE

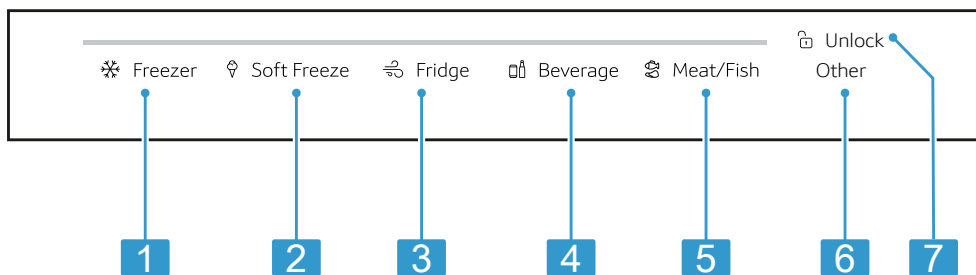
Pressing on the display with force may cause damage.

- ▶ Do not apply heavy pressure on the display.
- ▶ Do not press on the display using pointed or sharp objects.

| Symbol | Description |
|--------|--------------------------------|
| ↑ | Go to the start screen |
| ⓘ | Display additional information |
| ☐ | Switch on the function |
| ○ | Switch off the function |

5.3 Control panel (variable-temperature compartment)

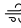
Use the variable-temperature compartment's control panel to set the storage setting.

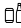



3

- 1** ❄️ **Freezer** sets the storage setting in the variable-temperature compartment to a freezer compartment.


- 2** 💎 **Soft Freeze** sets the storage setting in the variable-temperature compartment to soft freezing.

3  **Fridge** sets the storage setting in the variable-temperature compartment to a refrigerator compartment.

4  **Beverage** sets the storage setting in the variable-temperature compartment for drinks.

5  **Meat/Fish** sets the storage setting in the variable-temperature compartment to meat and fish.

6 "Other" lights up if user-defined settings have been set via the Home Connect® app or the control panel.

7  **Unlock** switches off the button lock for the control panel (variable-temperature compartment).

6 Features

The features of your appliance depend on the model.

6.1 Shelf

NOTICE

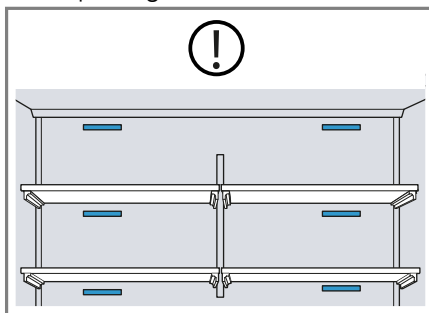
If fitted at an angle, the hooks on the shelf can scratch the rear panel of the refrigerator compartment.

- ▶ Ensure that the shelf is horizontal and that the hooks are properly fitted in place.

To vary the shelf as desired, you can remove the shelf and re-insert it elsewhere.

→ "Removing the shelf", Page 36

Note: To avoid impeding the circulation of air, do not cover the inner ventilation openings.



6.2 Snack container

Store packaged food or small snacks in the snack container.

6.3 Cold storage container

To automatically set the cold storage container to the right humidity and temperature for your food, use the different cold storage container storage settings.

Store fresh fruit and vegetables loose in the cold storage container.

Cover any chopped fruit and vegetables, or store in air-tight packaging. For hygiene reasons, do not store fruit and vegetables in a cold storage container with meat and fish.

Condensation may form in the cold storage container depending on the type and quantity of products stored. Remove the condensation with a dry cloth.

To ensure that the quality and aroma are retained, store fruit and vegetables that are sensitive to cold outside of the appliance at temperatures of approximately 46 °F (8 °C) to 54 °F (12 °C), e.g. pineapple, bananas, citrus fruits, cucumbers, zucchinis, bell peppers, tomatoes and potatoes.

6.4 Variable-temperature container

Use different storage settings to set the correct temperature for your food in the variable-temperature compartment.

6.5 Suspended frozen food container

Store large frozen items in the suspended frozen food container.

6.6 Door tray

To adjust the door tray as desired, you can remove the door tray, and re-insert it elsewhere.

→ *"Removing the door tray", Page 37*

6.7 Ice storage container

If ice cube production is switched on, the ice cubes are automatically stored in the ice cube container.

NOTICE

The ice maker may become blocked or damaged by food or objects stored in the ice storage container.

- ▶ Never store food or objects in the ice storage container.

Note: To prevent the ice cube container from being overfilled, do not manually distribute the ice cubes throughout the ice cube container.

Tip: To ensure that no ice cubes fall into the freezer compartment from the ice cube container, do not slam the freezer compartment drawer shut.

6.8 Camera

Each time the door is closed, the cameras take a photo of the refrigerator compartment, the cold storage compartment and the inside of the refrigerator compartment doors. You

can call up the photos using the Home Connect app and a mobile device. Activating the cameras
→ *Page 21*

Note: Close the appliance door slowly so that the cameras are able to take high-quality photos. If you close the appliance door too quickly, the photos may be blurred. The photos may also be unclear if the camera is dirty.
→ *"Cleaning the camera", Page 36*

6.9 Odor filter

The odor filter filters odors in the refrigerator compartment and can be replaced if required.

→ *"Replacing the odor filter", Page 37*

6.10 Accessories

Only use genuine accessories. These are designed especially for your appliance.

The accessories for your appliance depend on the model.

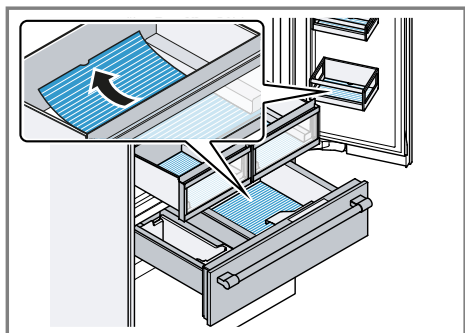
Anti-slip mat

The anti-slip mat prevents bottles and food from slipping.

Condensation may form on the anti-slip mat depending on the type and quantity of food stored. Where necessary, remove the anti-slip mat and

en-us Before using the appliance for the first time

wipe away the condensation with a dry cloth.



Ethylene absorber

For important safety instructions and information about installation and use, see the enclosed installation instructions for the ethylene absorber. The ethylene absorber slows down the ripening of ethylene-sensitive fruit and vegetables to keep them fresher for longer.

Installing the ethylene absorber

- ▶ Install the ethylene absorber in accordance with the installation instructions for the ethylene absorber.

Using the refill set

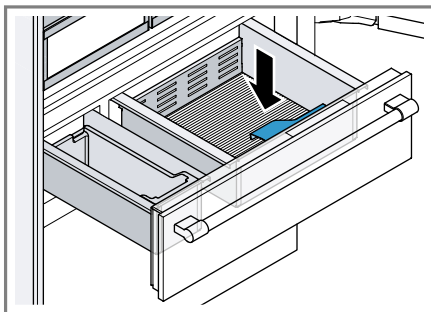
1. Install the components of the refill set in accordance with the installation instructions for the ethylene absorber.
2. Replace the bags at least every 6 months after resetting.

Note: Refill sets can be purchased from customer service or our website.

Ice scoop

You can use the ice scoop to remove a portion of ice cubes.

Tip: Place the ice scoop in the variable-temperature container.



7 Before using the appliance for the first time

7.1 Performing initial start-up

Requirements

- The appliance is installed in accordance with the enclosed installation instructions.
 - The appliance is connected to the electricity supply. → *Page 12*
1. Switch on the appliance at the main switch.
→ "*Appliance*", Fig. **1**/**11** *Page 14*
 2. Close the appliance doors, wait 3 minutes and reopen them.
 3. Select a language.
 4. Check the water connection and the water output.
 5. Select one of the options:
 - ▶ To set up Home Connect®, touch "Connect Now" and follow the instructions on the display.
 - ▶ To manually set the time, date and temperature unit, touch "Manual Set-Up" and follow the instructions on the display.
 - ▶ Press "Install Now" to start the ethylene absorber installation and follow the instructions on the display.

- ▶ To directly access the start screen, touch "Skip".
- ✓ The initial start-up is complete.

8 Basic Operation

8.1 Switching on the appliance

1. Switch on the appliance at the main switch.
→ "Appliance", Fig. **1**/**11**Page 14
- ✓ The appliance begins to cool.
2. Set the desired temperature.
→ Page 19

8.2 Operating tips





- Once you have switched on the appliance, the set temperature is only reached after several hours. Do not put any food in the appliance until the set temperature has been reached.
- The front and side panels of the housing heat up occasionally. This prevents condensation from forming.
- When closing the door, make sure that the door is not blocked by stored items.
- When you close the door, a vacuum may be created. The door is then difficult to open again. Wait a moment until the vacuum is offset.
- The temperature in the appliance varies due to the following conditions:
 - How often the appliance is opened
 - Load capacity
 - Temperature of newly stored food
 - Ambient temperature
 - Direct sunlight

8.3 Switching off the appliance

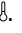
- ▶ Switch off the appliance at the main switch.
→ "Appliance", Fig. **1**/**11**Page 14

8.4 Setting the temperature





Setting the refrigerator compartment temperature

1. Touch the temperature display (refrigerator compartment).
2. Touch / repeatedly until the refrigerator compartment shows the required temperature.
Tip: When you press and hold /, the temperature changes by 1° per second until you release it. The recommended temperature in the refrigerator compartment is 37 °F (3 °C).

Setting the recommended refrigerator compartment temperature

1. Touch the temperature display (refrigerator compartment).
2. Touch "Set to Default" .
- ✓ The refrigerator compartment temperature is set to 37 °F (3 °C).

Setting the freezer compartment temperature

1. Touch the temperature display (freezer compartment).
2. Touch / repeatedly until the freezer compartment shows the required temperature.
Tip: When you press and hold /, the temperature changes by 1° per second until you release it. The recommended temperature in the freezer compartment is 0 °F (-18 °C).

Setting the recommended freezer compartment temperature

1. Touch the temperature display (freezer compartment).
2. Touch "Set to Default" ⏴.
- ✓ The freezer compartment temperature is set to 0 °F (-18 °C).

8.5 Cold storage compartment storage setting

You can set the temperature and humidity of the cold storage container using predefined storage settings.

Tip: Further settings are available in the Home Connect® app.

Setting the cold storage compartment storage setting

1. Touch the required cold storage container.
2. Touch "More" ⋮.
3. Touch the required storage setting and confirm using ⬆.

8.6 Storage setting in the variable-temperature compartment

You can set the temperature of the variable-temperature compartment using predefined storage settings on the control panel on the appliance or on the control panel of the variable-temperature compartment.

Tip: Further settings are available in the Home Connect® app.

Setting the variable-temperature compartment

1. Touch the storage setting for the variable-temperature compartment.

9.2 Overview of the basic settings

Here you can find an overview of the basic settings and factory settings. The basic settings depend on the features of your appliance.

2. Touch "More Options" ⋮.
3. Touch the required storage setting and confirm using ⬆.

Setting the control panel (variable-temperature compartment)

1. In the control panel (variable-temperature compartment), touch and hold 🔒 **Unlock** until the light bar lights up fully.
2. Touch the storage setting that you desire.

8.7 Keylock

The button lock prevents the appliance from being operated accidentally or incorrectly while running.

Note: You can permanently activate or deactivate the automatic keylock.
→ *Page 22*

Switching on the keylock

- ▶ Press and hold 🔒 for 2 seconds.
- ✓ 🔒 lights up.

Switching off the keylock


- ▶ Press and hold 🔒 for 2 seconds.

9 Basic settings





9.1 Changing the basic settings

1. Swipe to "Settings".
- ✓ "General" lights up.
2. Touch and change the desired basic setting.




General

| Setting | Selection | Description |
|-------------------|---|--|
| Connectivity/WiFi | See the information on the display. More Options Connect Now Delete now | Displays the Wi-Fi status. → <i>Page 27</i> Displays the Home Connect® settings. Set up Home Connect®. → <i>Page 26</i> Delete Network Settings |
| Cameras |  | Switch the cameras on or off. → <i>"Camera", Page 17</i> |
| Language | English Español Français | Select the menu language. |
| Units | Fahrenheit Celsius | Set the temperature unit. |


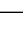

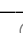
Special Modes

| Setting | Selection | Description |
|----------------|--|---|
| Normal Mode | Normal Mode | Switch standard mode on or off. |
| Shopping |  Shopping | Switch shopping mode on or off. → <i>"Shopping mode", Page 24</i> |
| Sabbath |  Sabbath | Switch Sabbath mode on or off. Select a preset time and follow the instructions on the display. → <i>"Sabbath mode", Page 24</i> Tip: You can adjust the preset times. |
| Eco |  Eco | Switch energy-saving mode on or off. → <i>"Energy-saving mode", Page 24</i> |
| Vacation |  Vacation | Switch vacation mode on or off. → <i>"Vacation mode", Page 24</i> |





Display

| Setting | Selection | Description |
|------------------------|---|--|
| Display Brightness | Auto "Manual" from "1" to "5" | Switch the automatic display lighting on or off. Use  and  to set the display lighting manually. |
| Automatic Display Lock |  | Activate or deactivate the automatic keylock. |

Audio

| Setting | Selection | Description |
|---------------------|-----------------|---|
| Display Volume | From "0" to "8" | Use  and  to set the display volume. |
| Notification Volume | From "0" to "8" | Use  and  to set the volume of the notification sounds. |

Lighting

| Setting | Selection | Description |
|------------------|---|---|
| Interior Lights | Auto "Manual" from "1" to "5" | Switch the automatic brightness of the interior lighting on or off. → <i>"Interior lighting"</i> , <i>Page 24</i> Use  /  to manually set the brightness of the interior lighting. |
| Light Guidance |  | Switch the lighting assistant on or off. |
| Theater Lighting |  | Switch the theater lighting on or off. |

10 Additional functions

Find out which additional functions can be used for your appliance. Additional functions can be set via the Home Connect® app.

10.1 Super cooling

With Super cooling, the refrigerator compartment cools as cold as possible.

Switch on Super cooling before placing large quantities of food in the refrigerator compartment.

Note: When Super cooling is switched on, increased noise may occur.

Switching on Super cooling

1. Touch the temperature display (refrigerator compartment).
 2. Touch "Super Cool" ✱ "Off".
- ✓ ✱ "On" lights up on the temperature display (refrigerator compartment).

Note: After approximately 6 hours, the appliance switches to normal operation.

Switching off Super cooling

1. Touch the temperature display (refrigerator compartment).
 2. Touch "Super Cool" ✱ "Off".
- ✓ ✱ "On" goes out on the temperature display (refrigerator compartment).
 - ✓ The previously set temperature is displayed.

10.2 Automatic Super freezing

With automatic Super freezing, the freezer compartment cools down to a much lower temperature than in normal mode. This freezes food more quickly.

Automatic Super freezing is switched on if you place a certain quantity of fresh food in the freezer compartment.

Automatic Super freezing is activated at the factory. You can deactivate automatic Super freezing.

If the automatic Super freezing is switched on, ✱ lights up and increased noise may occur.

After operation, the appliance switches from automatic Super freezing to normal operation.

Note: You can find out how to activate and deactivate automatic Super freezing in the service settings.

→ *Page 29*

Canceling automatic Super freezing

1. Touch the temperature display (freezer compartment).
 2. Touch ✱ "On".
- ✓ ✱ "On" goes out on the temperature display (freezer compartment).
 - ✓ The previously set temperature is displayed.

10.3 Manual Super freezing

With Super freezing, the freezer compartment cools as cold as possible. Switch on Super freezing before placing a larger quantity of food in the appliance.

Use Super freezing to accelerate ice cube production.

Note: When Super freezing is switched on, increased noise may occur.

Switching on manual Super freezing

1. Touch the temperature display (freezer compartment).
 2. Touch "Super Freeze" ✱ "Off".
- ✓ ✱ "On" lights up on the temperature display (freezer compartment).

Note: After approximately 8 hours, the appliance switches to normal operation.

Switching off manual Super freezing

1. Touch the temperature display (freezer compartment).
 2. Touch "Super Freeze" ✱ "Off".
- ✓ ✱ "On" goes out on the temperature display (freezer compartment).
 - ✓ The previously set temperature is displayed.

10.4 Shopping mode

Switch on the "Shopping Mode" before you go shopping for food. The "Shopping Mode" switches Super cooling and Super freezing on at the same time.

Note: You can find out how to switch on shopping mode in the basic settings. → *Page 21*

10.5 Vacation mode

If you are going to be away for a long time, you can switch on energy-saving vacation mode on the appliance.

CAUTION

The refrigerator compartment heats up while the vacation mode is switched on. The increased temperature may cause bacteria to increase and spoil the food.

- ▶ When the vacation mode is switched on, do not store any food in the refrigerator compartment.

The appliance automatically sets the temperatures.

| | |
|----------------------------------|-------------------------------|
| Refrigerator compartment | 58 °F (14 °C) |
| Cold storage compartment | Temperature remains unchanged |
| Freezer compartment | Temperature remains unchanged |
| Variable-temperature compartment | Temperature remains unchanged |

Notes

- While the vacation mode is activated, the ice cube production and the water dispenser are switched off.
- You can find out how to switch on vacation mode in the basic settings. → *Page 21*

10.6 Energy-saving mode

You can set the appliance to save energy with the energy-saving mode. The appliance automatically sets the temperatures.

| | |
|----------------------------------|-------------------------------|
| Refrigerator compartment | 43 °F (6 °C) |
| Cold storage compartment | 32 °F (0 °C) |
| Freezer compartment | 6 °F (-14 °C) |
| Variable-temperature compartment | Temperature remains unchanged |

Temperatures above 0 °F (-18 °C) reduce the shelf life of food. Use energy-saving mode for short-term storage of food.

Note: You can find out how to switch on energy-saving mode in the basic settings. → *Page 21*

10.7 Interior lighting

You can switch the interior lighting off or set the brightness.

10.8 Sabbath mode

To ensure that you can also use the appliance on the Sabbath, the Sabbath mode switches off all non-essential functions.


During Sabbath mode, the following functions are switched off:

- Super cooling
- Automatic Super freezing and manual Super freezing
- Alarm
- Water dispensing
- Ice cube production
- Interior lighting
- Audible signals
- Messages on the control panel

Notes

- The brightness of the control panel lighting is reduced during the Sabbath mode.
- You can find out how to switch on Sabbath mode in the basic settings. → *Page 21*

11 Alarm**11.1 Door alarm**


If the appliance door is open for a while, the door alarm switches on. A signal tone sounds and  "Door Alarm" appears in the display.

Switching off the door alarm

- ▶ Close the appliance door or touch "Mute Alarm".
- ✓ The warning tone is switched off.

11.2 Temperature alarm

If the freezer compartment becomes too warm, the temperature alarm will switch on.

A warning tone sounds and  "Freezer High Temp. Alarm" lights up.

 CAUTION

During the thawing process, bacteria may multiply and spoil the frozen food.

- ▶ Do not refreeze partly or completely thawed food.
- ▶ Refreeze food only after cooking.
- ▶ The frozen items should no longer be stored for the maximum storage period.

The temperature alarm can be switched on in the following cases:

- The appliance is switched on.
Do not store any food until the appliance has reached the set temperature.

- Large quantities of fresh food are being placed inside.
Switch on Super freezing before placing large quantities of food in the appliance.
- The freezer compartment door is open for too long.
Check whether the frozen food has defrosted or thawed.

Switching off the temperature alarm

- ▶ Touch "Yes, see highest temp." and use "OK" to confirm.
- ✓ The warning tone is switched off.
- ✓ The display indicates the warmest temperature reached in the freezer compartment. The display will then indicate the set temperature again.
- ✓ From this time on, the warmest temperature is recalculated and saved.

12 Home Connect®

This appliance is network-capable. Connecting your appliance to a mobile device lets you control its functions via the Home Connect® app. The Home Connect® services are not available in every country. The availability of the Home Connect® function depends on the availability of the Home Connect® services in your country. You can find information on this at: www.home-connect.com.

To be able to use Home Connect®, you must first set up the connection

to the WLAN home network (Wi-Fi ¹) and to the Home Connect® app. After switching on the appliance, wait at least 2 minutes until internal device initialization is complete. Only then should you set up Home Connect®. The Home Connect® app guides you through the entire registration process. Follow the instructions, noting the information in the Home Connect® app.

Notes

- Note the safety information in this instruction manual and ensure that it is also observed when operating the appliance using the Home Connect® app.
→ "Safety", Page 4
- Operating the appliance on the appliance itself always takes priority. It is not possible to operate the appliance using the Home Connect® app during this time.

12.1 Setting up Home Connect®

Requirement: The appliance receives signals from the WLAN home network (Wi-Fi) at its installation location.

1. Scan the following QR code.



You can install the Home Connect® app and connect your appliance via the QR code.

2. Follow the instructions in the Home Connect® app.

12.2 Installing updates for the Home Connect® software

Note: If an update of the Home Connect® software is available, a message appears in the Home Connect® app. You can find the current software version in the Home Connect® app under the appliance information for the appliance.

- ▶ To install the update for the Home Connect® software, follow the instructions in the Home Connect® app.
- ✓ The control panel is partially locked during the installation.

12.3 Resetting the Home Connect® settings

If your appliance experiences connection problems with the WLAN home network (Wi-Fi) or your appliance wants to log into a different WLAN home network (Wi-Fi), you can reset the Home Connect® settings.

Note: You can find out how to reset the Home Connect settings in the basic settings. → Page 20

12.4 Remote Diagnostics

Customer Service can access your appliance via Remote Diagnostics if you ask them to do so, provided your appliance is connected to the Home Connect® server and Remote Diagnostics is available for your appliance and country. For more information on Remote Diagnostics' availability in your country, visit the Service/Support section of your local website: www.home-connect.com.

¹ Wi-Fi is a registered trade mark of the Wi-Fi Alliance.

Please be aware that while Remote Diagnostics can assist in troubleshooting select issues, there may be instances where an on-site service visit is required if the problem cannot be resolved remotely.

12.5 Data Protection

Please read this information on data protection.

The first time your appliance is registered on a home network connected to the Internet, your appliance transmits the following types of data to the Home Connect® server (initial registration):

- Unique appliance identification (consisting of appliance codes as well as the MAC address of the installed Wi-Fi communication module).
- Security certificate of the Wi-Fi communication module (to ensure a secure data connection).
- The current software and hardware version of your home appliance.
- Status of any previous reset to factory settings.

This initial registration prepares the Home Connect® functions for use and is only required when you want to use the Home Connect® functions for the first time.





Notes

- Please note that the Home Connect® functions can only be used in conjunction with the Home Connect® app. Information on data protection can be retrieved in the Home Connect® app.
- It is possible that users, persons or spaces outside of the appliance may be captured by the cameras

and therefore displayed in the Home Connect® app. Such photos are processed in the Home Connect® system for the purpose of provision in the Home Connect® app. Information on data processing can be retrieved in the Home Connect® app.

12.6 Status of the Home Connect® connection

This is where you will find an overview of the status of the Home Connect® connection.

| Symbol | Description |
|---|---|
|  | The appliance is connected to the Home Connect® app. |
|  | The appliance is not connected to the Home Connect® app. |
|  | The appliance is not connected to the Wi-Fi home network. |
|  | The remote diagnostics is activated. |

13 Service settings

You can implement various service settings.

13.1 Changing service settings

1. Swipe to "Service".
- ✓ "Appliance Info" lights up.
2. Touch and change the desired service setting.

13.2 Overview of the service settings

This is where you can find an overview of the service settings.

Appliance Info

| Setting | Selection | Description |
|-------------------------------------|---|--|
| See the information on the display. | E-Number: Production Date: // Z-Number: Serial Number: | Displays information about your appliance. |

Filter Management

| Setting | Selection | Description |
|--------------------|---|--|
| Water Filter | See the information on the display. Reset | Displays the water filter status. Follow the instructions on the display and reset the water filter status. |
| Ethylene Absorbers | See the information on the display. Install Reset Remove | Displays the ethylene absorber status. Install the ethylene absorber. Reset the status of the ethylene absorber. Remove the ethylene absorber. → <i>"Ethylene absorber", Page 18</i> |
| Air Filter | See the information on the display. | Air filter may be replaced if you notice an odor over time. |




How-To Guides

| Setting | Selection | Description |
|-------------------------------------|--|---|
| See the information on the display. | How to restart my appliance. How to change my water filter. How to change my ethylene absorbers. | Shows the step-by-step instructions on the display. Touch the required instruction and follow the instructions on the display. |

Customer Service

| Setting | Selection | Description |
|-----------------------|-------------------------------------|---|
| 24/7 Customer Service | See the information on the display. | Displays the Customer Service telephone number. Scan the QR code in order to access the Customer Service website. |

Advanced Service

| Setting | Selection | Description |
|----------------|--|--|
| Time & Date | See the information on the display. Auto-adjust  | Follow the instructions on the display and set the time and date. Switch the automatically set time and date on or off. Note: "Auto-adjust" is only available if Home Connect® is set up. |
| Auto-Super |  | Activate or deactivate the automatic Super freezing. → "Automatic Super freezing", Page 23 |
| Factory Reset | Reset Now | Reset the appliance to the factory settings. |
| Demo Mode |  | Switch demo mode on or off. The appliance does not cool in demo mode. Note: Demo mode is only available for a limited time after the appliance is switched on. |

14 Refrigerator compartment

You can keep dairy products, eggs, prepared meals, pastries, open preserves and hard cheese in the refrigerator compartment.

The temperature can be set from 33 °F (1 °C) to 43 °F (6 °C). The refrigerator compartment can also be used to store highly perishable foods in the short to medium term. The lower the selected temperature, the longer the food remains fresh.

14.1 Tips for storing food in the refrigerator compartment

- Only store food when fresh and undamaged.
- Store food covered or in air-tight packaging.
- To avoid impeding the circulation of air and to prevent food from freezing, do not place food in front of the inner ventilation openings or in direct contact with the back wall.
- Allow hot food and drinks to cool down first before placing in the appliance.
- Observe the best-before date or expiration date specified by the manufacturer.

14.2 Chill zones in the refrigerator compartment

The air recirculation cooling system allows the air to circulate evenly in the refrigerator compartment and ensures a constant temperature at all shelves.

Coldest zone

The coldest zone is in the bottom area at the back panel.

Tip: Store highly perishable food such as fish, sausages and meat in the cold storage compartment or in the variable-temperature compartment.

→ "Cold storage compartment", Page 30

→ "Variable-temperature compartment", Page 31








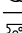


15 Cold storage compartment

In the cold storage compartment, you can keep food fresh for longer than in the refrigerator compartment.


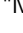
The temperature can be set from 32 °F (0 °C) to 37 °F (3 °C) using pre-defined storage settings.

The low temperature and optimal humidity in the cold storage compartment ensure ideal storage conditions for perishable foods.

15.1 Storage recommendations for the cold storage compartment

| Storage setting | Food |
|--|---|
|  Beverage | Drinks |
|  Vegetable | Vegetables |
|  Fruit | Fruit |
|  Fruit & Veg | Mixed load with fruit and vegetables |
|  Fish | Fish and seafood |
|  Deli | Gourmet food |
|  Cheese | Cheese and dairy products |
|  Charcuterie | Gourmet food, cheese and dairy products |
|  Meat | Meat and sausage |
|  Variety | Mixed load |

Tip: Fruit, vegetables, drinks and snacks may freeze below 32 °F (0 °C).

Use the  and  storage settings for "Meat" and "Fish" only.

16 Freezer compartment

You can store frozen food, freeze food and make ice cubes in the freezer compartment.

The temperature can be set from 6 °F (–14 °C) to –7 °F (–22 °C).

Long-term storage of food should be at 0 °F (–18 °C) or lower.

The freezer compartment can be used to store perishable foods long-term. The low temperatures slow down or stop the spoilage.

16.1 Tips for storing food in the freezer compartment

- Store food in air-tight packaging.
- Do not bring food which is to be frozen into contact with frozen food.
- Distribute the food over a wide area in the suspended frozen food container.

16.2 Tips for freezing fresh food

- Freeze fresh and undamaged food only.
- Freeze food in portions.
- Cooked food is more suitable for freezing than food that can be eaten raw.
- Vegetables: Wash, chop up and blanch before freezing.
- Fruit: Wash, pit and perhaps peel, possibly add sugar or ascorbic acid solution.
- Food that is suitable for freezing includes baked items, fish and seafood, meat, game, poultry, eggs without shells, cheese, butter and curd cheese, prepared meals and leftovers.
- Food that is unsuitable for freezing includes lettuce, radishes, eggs in shells, grapes, raw apples and

pears, yogurt, sour cream, crème fraîche and mayonnaise.

Packing frozen food

If you select suitable packaging material and the correct type of packaging, you can determine the product quality and prevent freezer burn.

1. Place the food in the packaging.
2. Squeeze out the air.
3. Pack food airtight to prevent it from losing flavor or drying out.
4. Label the packaging with the contents and the date of freezing.

16.3 Defrosting methods for frozen food

CAUTION

During the thawing process, bacteria may multiply and spoil the frozen food.

- ▶ Do not refreeze partly or completely thawed food.
- ▶ Refreeze food only after cooking.
- ▶ The frozen items should no longer be stored for the maximum storage period.
- Defrost animal-based food, such as fish, meat, cheese, curd cheese, in the refrigerator compartment.
- Defrost bread at room temperature.
- Prepare food for immediate consumption in the microwave, in the oven, or on the cooktop.

17 Variable-temperature compartment

You can use the variable-temperature compartment as a refrigerator compartment and store food using predefined storage settings. Or you can

use the variable-temperature compartment as a freezer compartment and softly freeze food at lower temperatures.

The temperature can be set from 0 °F (-18 °C) to 39 °F (4 °C) using pre-defined storage settings.

17.1 Storage recommendations in the variable-temperature compartment

This is where you can find out which storage setting you can use in the variable-temperature compartment.

| Storage setting | Food |
|-----------------|---|
| ❄ Freezer | See Freezer compartment → <i>Page 31</i> |
| ❄ Soft Freeze | Soft freezing, e.g. meat, sausage, fish and pureed food |
| 🌀 Fridge | See Refrigerator compartment → <i>Page 29</i> |
| 🍹 Beverage | Drinks |
| 🍖 Meat/Fish | Meat and fish |
| 🧀 Deli/Cheese | Gourmet food, cheese and dairy products |
| 🍰 Pastry | Cakes and other baked goods |

18 Water system

Your appliance is equipped with water-carrying components. The water system only works if a water filter or a bypass cap is installed. Switch off ice cube production before disconnecting the appliance from the drinking water connection.
→ *Page 35*

18.1 Water filter

The water filter filters particles and the taste of chlorine out of the water. The water filter reduces further contamination, e.g. from chloramines, lead and pharmaceutical products.

Note: The water filter does not filter bacteria or microbes out of the water.

Change the water filter:

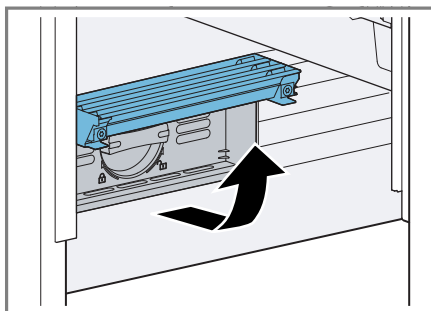
- Every 6 months.
- If ⚠ "Filter is expired." lights up.
- If the water output has visibly reduced.
- If ice cube production has visibly reduced.

Tips

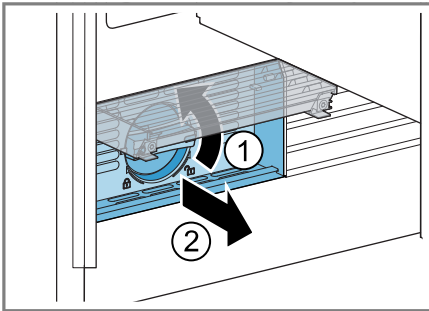
- A new water filter can be purchased from our customer service, your dealer or our website.
- If you do not want to use a water filter in your appliance or an external water filter system is installed, you can permanently replace the water filter with a bypass cap. The bypass cap filters only large particles out of the water and can be cleaned as required. A bypass cap can be purchased from customer service or our website.

Changing the water filter or replacing it with a bypass cap

1. Hinge the filter cover upwards.

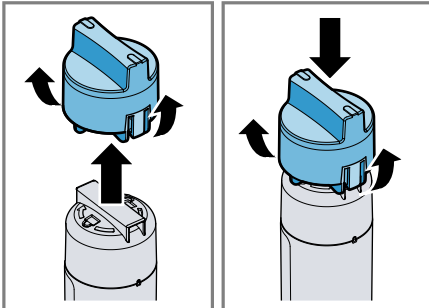


2. Turn the water filter counterclockwise by 90° ① and remove it ②.
 - ▶ Remove the water filter with care as it is under pressure.



Tip: You can dispose of the old water filter with your household garbage.

3. Take off the cap of the used water filter and put it on the new water filter or a bypass cap.



4. Insert the new water filter or the bypass cap in the filter opening as far as it will go and turn it 90° clockwise as far as it will go.
5. Close the filter cover.
6. Discard the ice cubes produced during the first 24 hours, and dispense water for 5 minutes and discard.

18.2 Water dispenser

Dispense cold water via the water dispenser.

Putting the water dispenser into operation

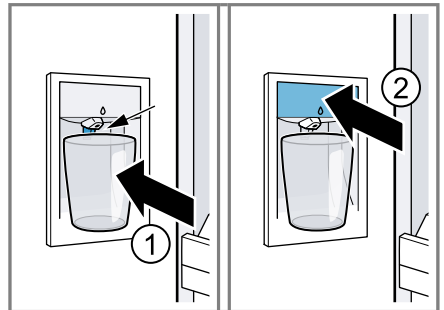
Note: Once the appliance has been connected or a new water filter has been installed, there will be air in the water system.

Requirement: The appliance is connected to the drinking water connection.

1. Keep dispensing water until it contains no more air bubbles. Remove any splashes of water with a dry cloth.
2. For hygiene reasons, dispense water for 5 minutes and discard.

Dispensing water

- ▶ Press and hold the glass against the dispensing button ① or hold the glass under the water dispenser and press \odot ②.



Notes

- After a while of continuous dispensing, the water stops being dispensed. Wait a few seconds before dispensing water again.
- After water has been dispensed several times consecutively, water stops being dispensed. Wait a few minutes before dispensing water again.

Water dispenser keylock

The keylock prevents the water dispenser from being operated accidentally or incorrectly while running.

Switching on the water dispenser keylock

1. Swipe to Water.
 2. Press and hold Hold to unlock until the light bar lights up fully.
- ✓ Lock icon lights up.

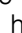
Switching off the water dispenser keylock

1. Swipe to Water.
 2. Press and hold Lock Water until the light bar lights up fully.
- ✓ The water capacity favorites light up.

Water capacity


Your appliance has 4 water capacities at the factory and these are stored as favorites on the display. The predefined water capacities can be adjusted or deleted.


Removing a favorite

1. Swipe to Water.
2. Touch the desired favorite.
3. Hold a glass below the water dispenser and press and hold  until the water capacity has been fully removed.




Saving new favorites

Note: Max. 6 water capacities can be stored.


1. Swipe to Water.
2. Hold a glass below the water dispenser, and press and hold  until the desired water capacity has been removed.
3. Touch Save as Favourite.
4. Touch the desired name.

5. Touch the desired color.
 6. Touch .
- ✓ The new favorite is saved.

Adjusting a favorite

1. Swipe to Water.
 2. Touch the desired favorite.
 3. Touch .
 4. Touch the desired name and confirm using .
 5. Touch the desired color and confirm using .
- ✓ The favorite is adjusted.

Deleting a favorite

1. Swipe to Water.
 2. Touch the desired favorite.
 3. Touch .
 4. Touch Delete favourite and use Yes, delete to confirm.
- ✓ The favorite is deleted.



18.3 Ice maker


Use the different functions of the ice cube maker to produce ice cubes.


WARNING

Rotating parts may cause injury.

- ▶ Never reach into or underneath the ice maker.

| | |
|---|---------------------------------|
|  Ice | Ice cube production |
|  Quick Ice | Accelerated ice cube production |

Note:  "Quick Ice" is only available if ice cube production is switched on.

Note: The ice cube maker automatically detects that the ice storage container is full and stops producing ice cubes. The display shows . It may take up to 48 hours until the ice storage container is full.

Tip: If the ice cubes taste stale, dispose of the remaining ice cubes and the cubes produced over the next 24 hours. If the ice cubes still taste stale, change the water filter.

Putting the ice maker into operation

Notes

- Ice cube production starts as soon as the appliance is switched on and the freezer compartment has reached the set temperature.
- As soon as the freezer compartment reaches the set temperature, the first batch of ice cubes will be ready in approximately 4 hours.

Requirement: The appliance is connected to the drinking water connection.

- ▶ For hygiene reasons, discard the ice cubes produced within the first 24 hours.

Switching on ice cube production

1. Touch the ice cube maker setting and confirm using **ooo**.
2. Switch on the desired ice cube production.

Switching off ice cube production

1. Touch the ice cube maker setting and confirm using **ooo**.
2. Switch off the desired ice cube production.

19 Defrosting

19.1 Defrosting in the refrigerator compartment

The refrigerator compartment in your appliance defrosts automatically.

19.2 Defrosting in the cold storage compartment

The cold storage compartment in your appliance defrosts automatically.

19.3 Defrosting in the freezer compartment

The fully automatic NoFrost system ensures that the freezer compartment remains frost-free. Defrosting is not required.

19.4 Defrosting in the variable-temperature compartment

The variable-temperature compartment in your appliance defrosts automatically.

20 Cleaning and maintenance

Note: The Statement of Limited Product Warranty covers defects in materials and workmanship. Cleaning and maintenance is not covered by the warranty and a charge will apply. See the Statement of Limited Product Warranty for more details.

20.1 Care instructions for stainless steel surfaces

When taking care of and cleaning stainless steel surfaces, use only cleaning cloths and cleaning agents suitable for stainless steel.

Tips

- To prevent visible scratches, wipe the stainless steel surface in the direction of the grain.
- Suitable cleaning agents and cleaning cloths are available from our customer service, your dealer or on our website.

20.2 Preparing the appliance for cleaning

1. Switch off the appliance.
2. Disconnect the appliance from the power supply.
Unplug the appliance from the power source or switch off the circuit breaker in the fuse box.
3. Take out all of the food and store it in a cool place.
Place ice packs (if available) onto the food.
4. Remove all fittings and accessories from the appliance.
→ *Page 36*

20.3 Cleaning the appliance

⚠ WARNING

Moisture entering the appliance may cause electrical shock.

- ▶ Do not use any steam cleaners or high-pressure cleaners to clean the appliance.
- ▶ Do not use the appliance with damp hands.

NOTICE

Unsuitable cleaning agents may damage the surfaces of the appliance.

- ▶ Do not use hard scouring pads or cleaning sponges.
- ▶ Do not use strong or abrasive cleaning agents.
- ▶ Do not use cleaning agents with a high alcohol content.

If you clean fittings and accessories in the dishwasher, this may cause them to become deformed or discolored.

- ▶ Never clean fittings and accessories in the dishwasher.
1. Prepare the appliance for cleaning.
→ *Page 36*
 2. Clean the appliance, the fittings, the accessories and the door seals

with a dish cloth, lukewarm water and a little pH-neutral dishwashing liquid.

3. Dry thoroughly with a soft, dry cloth.
4. Insert the fittings.
5. Connect the appliance to the electricity supply. → *Page 12*
6. Switch on the appliance.
7. Put the food into the appliance.

20.4 Cleaning the camera

If the temperature or the air humidity changes, this may cause the camera lenses to steam up.

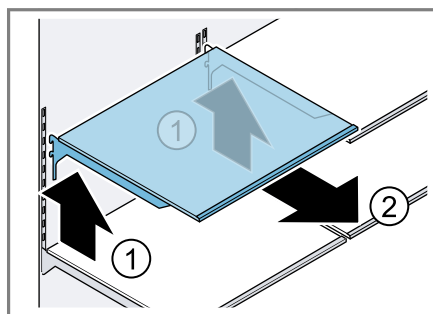
1. Clean the camera with a microfiber cloth.
2. Clean the camera lenses with a microfiber cloth and a commercially available rain deflector.

20.5 Removing the fittings

If you want to clean the fittings thoroughly, remove these from your appliance.

Removing the shelf

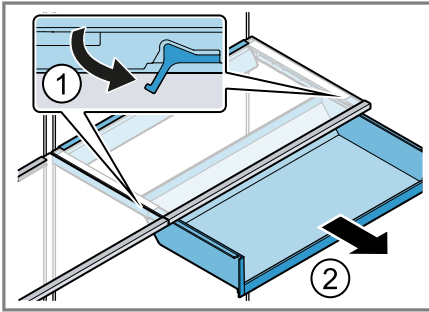
- ▶ Lift the shelf ① and remove it ②.



Removing the snack container

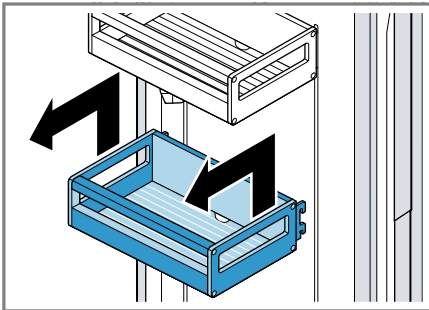
1. Pull the snack container out all the way.
2. Underneath the snack container on both sides, press the telescopic

rail lock downwards ① and remove the snack container ②.



Removing the door tray

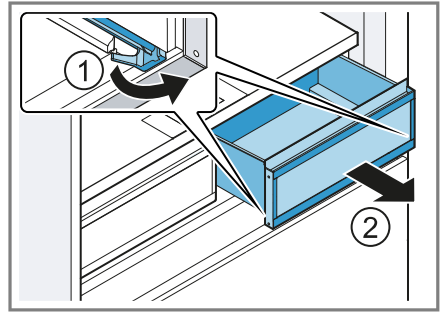
► Lift the door tray and remove it.



Removing the cold storage container

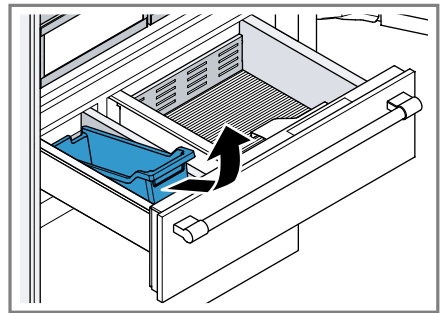
1. Pull out the cold storage container as far as it will go.
2. Underneath the cold storage container on both sides, press the pull-out rail lock outward ① and re-

move the cold storage container ②.



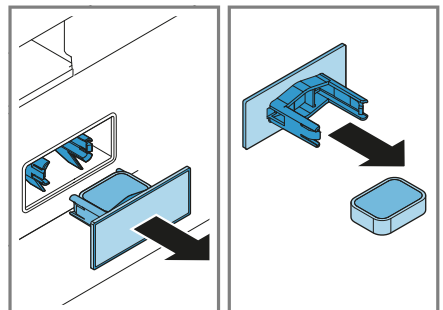
Removing the ice storage container

► Remove the ice storage container upwards.



20.6 Replacing the odor filter

1. Remove the odor filter holder.
2. Take the used odor filter out of the odor filter holder and replace it with the new odor filter.



Note: A new odor filter can be purchased from our Customer Service or our website.



21 Troubleshooting


You can eliminate minor issues on your appliance yourself. Please read the information on eliminating issues before contacting Customer Service. This may avoid unnecessary repair costs.

WARNING

To avoid risk of injury from improper repairs, observe the following.

- ▶ Only qualified technicians or authorized service providers should perform repairs.
- ▶ Only genuine spare parts may be used to repair the appliance.
- ▶ If the power cord of this appliance becomes damaged, it must be replaced by the manufacturer, the manufacturer's Customer Service, or an authorized service provider in order to prevent injury.

| Fault | Cause and troubleshooting |
|--|---|
| The appliance is not cooling, the displays and lighting are lit. | Showroom mode is switched on. <ol style="list-style-type: none"> 1. Swipe to "Service". 2. Touch "Advanced Service". 3. Touch "Demo Mode" . |
| The LED lighting does not work. | Various causes are possible. <ul style="list-style-type: none"> ▶ Call customer service. → <i>"Customer Service", Page 44</i> |
| The refrigeration unit is switching on more frequently and for longer. | The appliance has been opened frequently. <ul style="list-style-type: none"> ▶ Do not open appliance door unnecessarily. External ventilation openings are covered up. <ul style="list-style-type: none"> ▶ Remove any obstructions from in front of the external ventilation openings. |
| | Not a fault. Modern refrigeration machines switch on more frequently and have different power levels to cool more efficiently. <div style="text-align: center;">  </div> <ul style="list-style-type: none"> ▶ Remove any obstructions from in front of the external ventilation openings. ▶ Install the appliance as far away as possible from heating elements, cookers and other heat sources. Avoid prolonged exposure of the appliance to direct sunlight. |


| Fault | Cause and troubleshooting |
|--|--|
| The refrigeration unit is switching on more frequently and for longer. | <ul style="list-style-type: none"> ▶ Only open the appliance door as briefly as necessary. ▶ Allow hot food and drinks to cool down first before storing in the appliance. |
| A layer of frost forms on the back wall of the refrigerator compartment. | <p>Not a fault. Modern refrigeration machines ensure a more even temperature in the refrigerator compartment. The back wall of the refrigerator compartment is defrosted automatically at regular intervals.</p>  <ul style="list-style-type: none"> ▶ Only open the appliance door as briefly as necessary. ▶ Pack the food airtight or cover it. ▶ Allow hot food and drinks to cool down first before storing in the appliance. ▶ Always leave some space between the food and the interior walls. |
| Home Connect® is not working properly. | <p>Various causes are possible.</p> <ul style="list-style-type: none"> ▶ Go to www.home-connect.com. |
| The cameras do not take any photos. | <p>The cameras are not activated in Home Connect.</p> <ul style="list-style-type: none"> ▶ Activate the cameras. <hr/> <p>Cameras are not calibrated.</p> <ol style="list-style-type: none"> 1. Switch off the appliance. 2. Disconnect the appliance from the power supply. Unplug the power plug or switch off the circuit breaker in the fuse box. 3. Reconnect the appliance after 5 minutes. 4. Use the main switch to switch the appliance on. → "Appliance", Fig. 1 / 11 Page 14 5. Close the appliance doors and wait for 3 minutes. 6. If the fault persists, call customer service. → Page 44 |
| The cameras take blurred photos. | <p>The appliance door was closed too quickly.</p> <ul style="list-style-type: none"> ▶ Close the appliance door slowly. <hr/> <p>The camera lenses are misted up. The appliance door was left open for too long.</p> <ol style="list-style-type: none"> 1. Clean the cameras. → Page 36 2. Do not leave the appliance door open for too long. |

| Fault | Cause and troubleshooting |
|---|---|
| The cameras take blurred photos. | The anti-mist film is damaged. ▶ Call customer service. → "Customer Service", Page 44 |
| Photos are missing, are not cropped or show an incorrect angle. | Cameras are not calibrated. 1. Switch off the appliance. 2. Disconnect the appliance from the power supply. Unplug the power plug or switch off the circuit breaker in the fuse box. 3. Reconnect the appliance after 5 minutes. 4. Use the main switch to switch the appliance on. → "Appliance", Fig. 111 Page 14 5. Close the appliance doors and wait for 3 minutes. 6. If the fault persists, call customer service. → Page 44 |
| A message with "D" or "E" appears on the display. | The electronics have detected a fault. 1. Switch off the appliance. 2. Disconnect the appliance from the power supply. Unplug the power plug or switch off the circuit breaker in the fuse box. 3. Reconnect the appliance after 5 minutes. 4. If the message still appears on the display, call Customer Service. → "Customer Service", Page 44 |
| A warning tone sounds and "Door Alarm" appears. The door alarm is switched on. | The appliance door is open. ▶ Close the appliance door. |
| A warning tone sounds and "Freezer High Temp. Alarm" lights up. The temperature alarm is switched on. | Various causes are possible. 1. Touch "Yes, see highest temp." and use "OK" to confirm. ✓ The alarm is switched off. 2. After several hours, check whether the set freezer compartment temperature has been reached again. <hr/> Large quantities of fresh food have been placed inside. ▶ Do not exceed the freezing capacity. |
| The temperature differs greatly from the setting. | Various causes are possible. 1. Switch off the appliance. 2. Switch the appliance back on after approximately 5 minutes. ▶ If the temperature is too warm, check the temperature again after a couple of hours. |

| Fault | Cause and troubleshooting |
|---|---|
| The temperature differs greatly from the setting. | <ul style="list-style-type: none"> ▶ If the temperature is too cold, check the temperature again on the following day. |
| Water is leaking out of the appliance. | <p>The water connection or water hose is not leak-tight.</p> <ul style="list-style-type: none"> ▶ Check if the water connections are fastened firmly and the water hose is undamaged. <p>If necessary, replace the water hose.</p> |
| Water output is reduced. | <p>Low water pressure.</p> <ul style="list-style-type: none"> ▶ Check the pressure of the water supply system or the external water filter system, e.g. reverse osmosis system. <p>Connect the appliance only to a water connection with sufficient water pressure. → <i>Page 10</i></p> <hr/> <p>The water filter is blocked.</p> <ul style="list-style-type: none"> ▶ Change the water filter. |
| Water is dripping from the water dispenser. | <p>Air is in the water system.</p> <ul style="list-style-type: none"> ▶ Keep dispensing water until it contains no more air. |
| The water dispenser is not functioning. | <p>There is no water being supplied to the appliance.</p> <ul style="list-style-type: none"> ▶ Ensure that there is a water supply and that the shut-off valve on the water connection is open. <p>Contact an installer if necessary.</p> <hr/> <p>Kink in the water hose.</p> <ul style="list-style-type: none"> ▶ Turn off the water supply and straighten the kink in water hose. <p>If necessary, replace the water hose.</p> |
| Ice cube production is low. | <p>The appliance has only recently been connected.</p> <ul style="list-style-type: none"> ▶ Wait approximately 4 hours until the first batch of ice cubes is ready. <hr/> <p>The freezer compartment has been opened frequently or for an extended period of time.</p> <ul style="list-style-type: none"> ▶ Check ice cube production after a few hours. <hr/> <p>Low water pressure.</p> <ul style="list-style-type: none"> ▶ Check the pressure of the water supply system or the external water filter system, e.g. reverse osmosis system. <p>Connect the appliance only to a water connection with sufficient water pressure. → <i>Page 10</i></p> <hr/> <p>The water filter is blocked.</p> <ul style="list-style-type: none"> ▶ Change the water filter. |

| Fault | Cause and troubleshooting |
|--|--|
| Ice cube production is low. | <p>Food or objects are blocking the fill level sensor for the ice maker.</p> <ul style="list-style-type: none"> ▶ Remove all food and objects from the ice storage container. <hr/> <p>Fault in the ice maker.</p> <ol style="list-style-type: none"> 1. Switch off the appliance. 2. Disconnect the appliance from the power supply. Unplug the power plug or switch off the circuit breaker in the fuse box. 3. Reconnect the appliance after 5 minutes. 4. If the fault persists, call customer service. <p>→ <i>Page 44</i></p> |
| The ice maker is not functioning. | <p>Ice cube production is switched off.</p> <ul style="list-style-type: none"> ▶ Switch on ice cube production. → <i>Page 35</i> <hr/> <p>There is no water being supplied to the appliance.</p> <ul style="list-style-type: none"> ▶ Ensure that there is a water supply and that the shut-off valve on the water connection is open. Contact an installer if necessary. <hr/> <p>Kink in the water hose.</p> <ul style="list-style-type: none"> ▶ Turn off the water supply and straighten the kink in water hose. <p>If necessary, replace the water hose.</p> <hr/> <p>Fault in the ice maker.</p> <ol style="list-style-type: none"> 1. Switch off the appliance. 2. Disconnect the appliance from the power supply. Unplug the power plug or switch off the circuit breaker in the fuse box. 3. Reconnect the appliance after 5 minutes. 4. If the fault persists, call customer service. <p>→ <i>Page 44</i></p> |
| The appliance hums, bubbles, buzzes, gurgles, clicks, crackles or rumbles. | <p>Not a fault. A motor is running, e.g. refrigerating unit, fan. Refrigerant is flowing through the pipes. The motor, switches, solenoid valves or water valves are switching on or off. Automatic defrosting is running. Ice cubes fall into the ice storage container.</p> <p>No action required.</p> |
| The appliance makes noises. | <p>The appliance is not level.</p> <ul style="list-style-type: none"> ▶ Align the appliance using a bubble level and the screw feet. <hr/> <p>Fittings wobble or stick.</p> <ul style="list-style-type: none"> ▶ Check the removable fittings and, if required, replace these. |



| Fault | Cause and troubleshooting |
|--|---|
| The appliance makes noises. | Bottles or containers are touching. ▶ Move the bottles or containers away from each other. |
|  | <hr/> Super freezing is switched on. No action required. |

21.1 Power failure

During a power failure, the temperature in the appliance rises; this reduces the storage time and the quality of the frozen food.

Notes

- Open the appliance as little as possible during a power failure and do not place any other food in the appliance.
- Check the quality of the food immediately after a power failure.
 - Dispose of any frozen food that has defrosted and is warmer than 41 °F (5 °C).
 - Cook or fry slightly thawed frozen food, and then either consume it or freeze it again.

22 Storage and disposal

22.1 Taking the appliance out of operation

1. Switch off the appliance.
2. Disconnect the appliance from the power supply.
Unplug the appliance from the power source or switch off the circuit breaker in the fuse box.
3. Disconnect the appliance from the drinking water connection.
4. Remove all of the food.
5. Remove the water filter.

6. Clean the appliance. → *Page 36*

7. To ensure the ventilation inside the appliance, leave the appliance open.

22.2 Disposal of your old appliance

Environmentally compatible disposal allows valuable raw materials to be recycled.

WARNING

Children can lock themselves in the appliance, thereby putting their lives at risk.

- ▶ Remove the appliance doors and the appliance drawers.
- ▶ To prevent children from climbing in, leave shelves and containers in the appliance.
- ▶ Keep children away from the discarded appliance.

WARNING

If the tubes are damaged, flammable refrigerant and harmful gases may escape and ignite.

- ▶ Do not damage the tubes of the refrigerant circuit or the insulation.

1. Unplug the appliance from the power supply.
2. Cut through the power cord.
3. Remove the appliance doors and the appliance drawers.
4. Dispose of the appliance in an environmentally responsible manner. Information about current disposal methods can be obtained from

your specialist dealer or local authority.

23 Customer Service

With any warranty repair, we will make sure your appliance is repaired by an authorized service provider using genuine replacement parts. We use only genuine replacement parts for all repairs.

You can obtain function-relevant and storable genuine spare parts from our Customer Service for up to 15 years from the date on which your appliance was placed on the market. For more information, please contact our Customer Service team.

Detailed information on the warranty period and terms of warranty can be found in the Statement of Limited Product Warranty, from your retailer, or on our website.

USA:

1-800-735-4328

www.thermador.com/support

www.thermador.com/us/accessories

CA:

1-800-735-4328

www.thermador.ca

www.thermador.ca/en/support/filters-cleaners-accessories

For assistance with connecting to Home Connect®, you can also view instructions here:

www.home-connect.com/us/en/help-support/set-up

23.1 Model number (E-Nr.), production number (FD) and consecutive numbering (Z-Nr.)

If you contact Customer Service, you will need the product number (E-Nr.), production number (FD), and consecutive numbering (Z-Nr.), which you can find on the appliance's rating label.

→ "Appliance", Fig. **1** / **14** Page 14

Making a note of your appliance's details and the Customer Service telephone number will enable you to find them again quickly.

24 Technical specifications

Refrigerant, cubic capacity and further technical specifications can be found on the rating plate.

→ "Appliance", Fig. **1** / **14** Page 14

24.1 Information regarding Free and Open Source Software

This product includes software components that are licensed by the copyright holders as free or open source software.

The applicable license information is stored on your home appliance. You can also access the applicable license information via your Home Connect® app: "Profile -> Legal information -> License Information".¹ You can also download the license information on the brand product website. (Please search on the product website for

¹ Depending on the appliance specifications

your appliance model and additional documents). Alternatively, you can request the relevant information from ossrequest@bshg.com or BSH Hausgeräte GmbH, Carl-Wery-Str. 34, 81739 Munich, Germany.

The relevant source code will be made available to you on request. Please send your request to ossrequest@bshg.com or BSH Hausgeräte GmbH, Carl-Wery-Str.34, 81739 Munich, Germany.

Subject: „OSSREQUEST“

The cost of performing your request will be charged to you. This offer is valid for three years from the date of purchase or at least as long as we offer support and spare parts for the relevant appliance.

Vous pouvez trouver d'autres informations et explications en ligne. Scannez le code QR sur la page de titre.



Table des matières

| | | | |
|---|-----------|--|-----------|
| 1 Sécurité | 49 | 6 Équipement | 62 |
| 1.1 Définitions des termes de sécurité | 49 | 6.1 Clayette | 62 |
| 1.2 Indications générales | 49 | 6.2 Bac à snacks | 63 |
| 1.3 Conformité d'utilisation | 49 | 6.3 Bac de rangement à froid | 63 |
| 1.4 Restrictions au cercle d'utilisateurs | 49 | 6.4 Récipient à température variable | 63 |
| 1.5 Transport sûr | 50 | 6.5 Bac à produits congelés suspendu | 63 |
| 1.6 Installation sûre | 50 | 6.6 Compartiment de contre- porte | 63 |
| 1.7 Utilisation sûre | 51 | 6.7 Réserve à glaçons | 63 |
| 1.8 Appareil endommagé | 53 | 6.8 Caméras | 64 |
| 1.9 Mises en garde conformément à la proposition 65 de l'État de Californie | 54 | 6.9 Filtre anti-odeurs | 64 |
| 2 Prévenir les bris matériels | 55 | 6.10 Accessoires | 64 |
| 3 Protection de l'environnement et économies | 56 | 7 Avant la première utilisation | 65 |
| 3.1 Mise au rebut de l'emballage | 56 | 7.1 Première mise en service | 65 |
| 3.2 Économiser de l'énergie | 56 | 8 Opération de base | 65 |
| 4 Installation et branchement | 56 | 8.1 Allumer l'appareil | 65 |
| 4.1 Contenu de livraison | 56 | 8.2 Remarques concernant le fonctionnement de l'appareil .. | 65 |
| 4.2 Critères pour le lieu d'installation | 57 | 8.3 Éteindre l'appareil | 66 |
| 4.3 Monter l'appareil | 57 | 8.4 Régler la température | 66 |
| 4.4 Préparer l'appareil pour la première utilisation | 57 | 8.5 Réglage de stockage pour le compartiment froid | 66 |
| 4.5 Brancher l'appareil au raccordement d'eau potable ... | 57 | 8.6 Réglage de palier du compartiment à température variable | 67 |
| 4.6 Raccordement électrique de l'appareil | 57 | 8.7 Verrouillage des touches | 67 |
| 5 Description de l'appareil | 59 | 9 Réglages de base | 67 |
| 5.1 Appareil | 59 | 9.1 Modifier les réglages de base | 67 |
| 5.2 Bandeau de commande | 60 | 9.2 Vue d'ensemble des réglages de base | 67 |
| 5.3 Bandeau de commande (compartiment à température variable) | 62 | 10 Fonctions additionnelles | 70 |
| | | 10.1 Super-réfrigération | 70 |
| | | 10.2 Super-congélation automatique | 70 |

| | | | |
|---|-----------|---|-----------|
| 10.3 Fonction Super-congélation manuelle | 71 | 16.3 Méthodes de décongélation pour aliments congelés | 79 |
| 10.4 Mode Achat | 71 | 17 Compartiment à température variable | 80 |
| 10.5 Mode Vacances | 71 | 17.1 Recommandations de conservation dans le compartiment à température variable | 80 |
| 10.6 Mode économie d'énergie | 71 | 18 Système hydraulique | 80 |
| 10.7 Éclairage intérieur | 72 | 18.1 Filtre à eau | 80 |
| 10.8 Mode Sabbat | 72 | 18.2 Distributeur d'eau | 82 |
| 11 Alarme | 72 | 18.3 Distributeur de glaçons | 83 |
| 11.1 Alarme de porte | 72 | 19 Dégivrer | 84 |
| 11.2 Alarme de température | 72 | 19.1 Dégivrer le compartiment réfrigération | 84 |
| 12 Home Connect® | 73 | 19.2 Dégivrage dans le compartiment froid | 84 |
| 12.1 Configurer Ho- me Connect® | 73 | 19.3 Dégivrer le compartiment congélation | 84 |
| 12.2 Installer la mise à jour du logiciel Home Connect® | 74 | 19.4 Décongeler dans le compartiment à température variable | 84 |
| 12.3 Réinitialiser les réglages Ho- me Connect® | 74 | 20 Nettoyage et entretien | 84 |
| 12.4 Diagnostic à Distance | 74 | 20.1 Consignes d'entretien pour les surfaces en inox | 84 |
| 12.5 Protection des données | 74 | 20.2 Préparer l'appareil pour le nettoyage | 84 |
| 12.6 État de la connexion Ho- me Connect® | 75 | 20.3 Nettoyer l'appareil | 85 |
| 13 Réglages de service | 75 | 20.4 Nettoyer la caméra | 85 |
| 13.1 Modifier des réglages de service | 75 | 20.5 Retirer les pièces d'équipement | 85 |
| 13.2 Vue d'ensemble des réglages de service | 75 | 20.6 Remplacer le filtre anti- odeurs | 86 |
| 14 Compartiment réfrigération | 77 | 21 Dépannage | 87 |
| 14.1 Conseils pour ranger des produits alimentaires dans le compartiment réfrigération | 77 | 21.1 Panne de courant | 92 |
| 14.2 Zones froides du réfrigérateur | 78 | 22 Entreposage et mise au rebut | 92 |
| 15 Compartiment froid | 78 | 22.1 Mettre l'appareil hors service | 92 |
| 15.1 Recommandations de stockage dans le compartiment froid | 78 | 22.2 Éliminer un appareil usagé ... | 93 |
| 16 Compartiment congélation | 78 | 23 Service à la clientèle | 93 |
| 16.1 Conseils pour ranger des aliments dans le compartiment congélation | 79 | | |
| 16.2 Conseils pour congeler des aliments frais | 79 | | |

23.1 Numéro de modèle (E-Nr.),
numéro de fabrication (FD) et
numéro de comptage (Z-
Nr.) 94

24 Données techniques 94

24.1 Informations sur le logiciel
libre 94

**Recursos y ayuda en línea en
español 95**



IMPORTANTES CONSIGNES DE SÉCURITÉ

LIRE ET CONSERVER CES INSTRUCTIONS

Respectez les consignes de sécurité suivantes.

1.1 Définitions des termes de sécurité

Vous trouverez ici des explications sur les mots de signalisation de sécurité utilisés dans ce manuel.

AVERTISSEMENT

Signale un risque de mort ou de blessure grave si l'avertissement n'est pas respecté.

MISE EN GARDE

Signale un risque de blessures mineures ou modérées si l'avertissement n'est pas respecté.

AVIS

Ceci indique que la non-conformité à cet avis de sécurité peut entraîner des dégâts matériels ou endommager l'appareil.

Remarque : Ceci vous signale des informations importantes.

1.2 Indications générales

- Lisez attentivement cette notice.
- Veuillez conserver la notice et les renseignements sur le produit en vue d'une réutilisation ultérieure ou pour un futur nouveau propriétaire.
- Ne branchez pas l'appareil si ce dernier a été endommagé durant le transport.

1.3 Conformité d'utilisation

Utilisez l'appareil uniquement :

- pour réfrigérer et congeler des aliments, pour préparer de la glace et pour distribuer de l'eau.
- dans un domicile privé et dans une pièce fermée de l'environnement domestique.
- jusqu'à une altitude maximale de 3000 m (9842,5 pieds).

1.4 Restrictions au cercle d'utilisateurs

Cet appareil n'est pas destiné à être utilisé par des personnes (y compris des enfants) présentant des capacités physiques, sensorielles ou mentales réduites, à moins qu'elles n'aient été informées de la manière d'utiliser l'appareil par une personne responsable de leur sécurité.

Ne permettez jamais aux enfants de jouer avec l'appareil.



IMPORTANTES CONSIGNES DE SÉCURITÉ

LIRE ET CONSERVER CES INSTRUCTIONS

Le nettoyage de l'appareil et l'entretien par l'utilisateur sont des activités que les enfants ne peuvent pas effectuer sans surveillance.

1.5 Transport sûr

AVERTISSEMENT

L'appareil est très lourd, son poids est inégalement réparti et il peut basculer.

- ▶ L'appareil doit être transporté par deux ou plusieurs personnes.
- ▶ Retirer l'appareil de la palette seulement lorsqu'il est prêt à être installé.
- ▶ Maintenir les portes et les tiroirs fermés jusqu'à ce que l'appareil soit fixé dans la niche d'encastrement.

AVERTISSEMENT

Il peut être risqué de soulever l'appareil en raison de son poids élevé.

- ▶ Soulevez l'appareil à deux personnes.

1.6 Installation sûre

AVERTISSEMENT

Pour éviter tout risque de blessure lié à une installation incorrecte, il convient de respecter les points suivants.

- ▶ Assurez-vous que toutes les instructions d'installation ont été suivies avant l'utilisation.
- ▶ Observer impérativement les indications figurant sur la plaque signalétique lors du raccordement et de l'utilisation de l'appareil.
- ▶ Brancher l'appareil uniquement à l'aide d'une fiche dûment installée avec mise à la terre dans une prise secteur à courant alternatif.
- ▶ Le système à conducteur de protection de l'installation électrique de la maison doit être installé correctement.
- ▶ Ne jamais alimenter l'appareil par l'intermédiaire d'un appareil de commutation externe, par ex. une minuterie ou une télécommande.
- ▶ Si l'appareil est encastré, la fiche du cordon d'alimentation secteur doit être librement accessible ou, si un accès libre est impossible, un dispositif de sectionnement doit être installé dans l'installation électrique fixe, conformément aux réglementations d'installation.
- ▶ Veillez à ne pas coincer ou endommager le câble d'alimentation en posant l'appareil.

Pour éviter tout risque de blessure dû à une isolation endommagée du cordon d'alimentation, observez ce qui suit.

- ▶ Ne mettez jamais en contact le cordon d'alimentation avec des sources de chaleur.



IMPORTANTES CONSIGNES DE SÉCURITÉ

LIRE ET CONSERVER CES INSTRUCTIONS

AVERTISSEMENT

Si les orifices de ventilation de l'appareil sont obstrués, un mélange gaz-air inflammable peut se produire si le circuit de réfrigération fuit.

- ▶ N'obstruez pas les orifices de ventilation dans le boîtier de l'appareil ou dans le boîtier d'installation.

AVERTISSEMENT

Pour éviter tout risque de blessure dû à un cordon d'alimentation trop long et à des adaptateurs non approuvés, observez ce qui suit.

- ▶ N'utilisez JAMAIS l'appareil avec une rallonge, une multiprise ou un adaptateur.
- ▶ Utilisez l'appareil uniquement avec le cordon d'alimentation secteur fourni.
- ▶ Si le câble de raccordement est trop court et qu'aucun cordon d'alimentation secteur plus long n'est disponible, confiez les modifications nécessaires à un électricien qualifié qui respectera les normes électriques nationales et locales en vigueur.

Les blocs multiprises ou blocs secteur mobiles peuvent surchauffer et provoquer un incendie.

- ▶ Ne placez pas les blocs multiprises ou blocs secteur mobiles à l'arrière des appareils.

AVERTISSEMENT

L'appareil est très lourd, son poids est inégalement réparti et il peut basculer.

- ▶ L'appareil doit être installé par deux personnes ou plus dès qu'il n'est plus sécurisé et qu'il est retiré de la palette.
- ▶ Sécuriser l'appareil à l'aide des arceaux anti-basculement fournis.
- ▶ Surveillez l'appareil pendant son installation.

MISE EN GARDE

Vous risquez de vous couper en touchant les arêtes vives de l'appareil.

- ▶ Portez des gants de protection.

1.7 Utilisation sûre

AVERTISSEMENT

L'humidité qui pénètre peut occasionner une électrocution.

- ▶ Utiliser l'appareil uniquement dans des pièces fermées.
- ▶ Ne jamais exposer l'appareil à une forte chaleur ou humidité.
- ▶ N'utilisez pas de nettoyeur haute pression ou de nettoyer à vapeur pour nettoyer l'appareil.



IMPORTANTES CONSIGNES DE SÉCURITÉ

LIRE ET CONSERVER CES INSTRUCTIONS

AVERTISSEMENT

Pour éviter tout risque d'étouffement chez les enfants, respectez les consignes suivantes.

- ▶ Gardez le matériel d'emballage à l'écart des enfants.
- ▶ Ne permettez jamais aux enfants de jouer avec le matériel d'emballage. Les enfants risquent d'inhaler ou d'avalier des petits morceaux et s'étouffer.
- ▶ Gardez les petits morceaux à l'écart des enfants.
- ▶ Ne permettez jamais aux enfants de jouer avec les petits morceaux.

AVERTISSEMENT

Les dommages au niveau du circuit de refroidissement peuvent provoquer un incendie ou une explosion.

- ▶ Pour accélérer le dégivrage, n'utilisez pas d'autres dispositifs mécaniques ou d'autres produits que ceux recommandés par le fabricant.
- ▶ Détachez les aliments congelés à l'aide d'un objet émoussé, par exemple le manche d'une cuillère en bois.

Des produits contenant des gaz propulseurs inflammables et des matières explosives peuvent exploser, par ex. bombes aérosols.

- ▶ Ne stockez pas de produits contenant des gaz propulseurs inflammables et des matières explosives dans l'appareil.

AVERTISSEMENT

Les appareils électriques à l'intérieur de l'appareil peuvent provoquer un incendie, par ex. appareils de chauffage ou fabriques de glace électriques.

- ▶ N'utilisez aucun appareil électrique à l'intérieur de l'appareil.

AVERTISSEMENT

Les récipients contenant des boissons gazeuses risquent d'éclater.

- ▶ Ne stockez jamais de récipient contenant des boissons gazeuses dans le compartiment froid ou dans un compartiment à température variable à moins de 34 °F (1 °C).
- ▶ Ne stockez jamais de boissons gazeuses dans le compartiment congélation. Lésions oculaires dues à la fuite de fluide frigorigène inflammable et de gaz nocifs.
- ▶ Veillez à ne pas endommager les tubulures du circuit frigorifique, ni l'isolant.

AVERTISSEMENT

Un contact avec les produits congelés et les surfaces froides peut entraîner des brûlures par le froid.

- ▶ Ne portez jamais des produits surgelés à la bouche immédiatement après les avoir sortis du compartiment congélation.
- ▶ Évitez tout contact prolongé de la peau avec les produits congelés, la glace et les surfaces métalliques présents dans le compartiment congélation.



IMPORTANTES CONSIGNES DE SÉCURITÉ

LIRE ET CONSERVER CES INSTRUCTIONS

MISE EN GARDE

Pour éviter toute contamination des produits alimentaires, respectez les instructions suivantes.

- ▶ L'ouverture prolongée de la porte peut entraîner une importante augmentation de la température dans les compartiments de l'appareil.
- ▶ Nettoyez régulièrement les surfaces qui peuvent entrer en contact avec des produits alimentaires et systèmes d'écoulement accessibles.
- ▶ Rincez le système hydraulique si aucune eau n'a été prélevée pendant 5 jours.
- ▶ Conserver la viande et le poisson crus dans des récipients appropriés dans l'appareil de réfrigération de sorte qu'ils ne soient pas en contact avec d'autres aliments et qu'ils ne coulent pas dessus.
- ▶ Si le réfrigérateur/congélateur reste vide pendant une longue période, éteignez l'appareil, dégivrez-le, nettoyez-le et laissez la porte ouverte, afin d'éviter la formation de moisissures.

Les pièces métalliques ou d'aspect métallique de l'appareil peuvent contenir de l'aluminium. Si des aliments acides entrent en contact avec de l'aluminium, des ions d'aluminium peuvent être transférés dans les aliments.

- ▶ Ne consommez pas les aliments contaminés.

1.8 Appareil endommagé

AVERTISSEMENT

Pour éviter tout risque de blessure dû à un appareil ou à un cordon d'alimentation endommagé, observez ce qui suit.

- ▶ Ne jamais utiliser un appareil endommagé.
- ▶ Ne jamais tirer sur le cordon d'alimentation secteur pour débrancher l'appareil du secteur. Toujours débrancher la fiche mâle du cordon d'alimentation secteur.
- ▶ Si l'appareil ou le cordon d'alimentation secteur est endommagé, débrancher immédiatement la fiche mâle du cordon d'alimentation secteur ou couper le fusible dans le boîtier à fusibles et fermer le robinet d'eau.
- ▶ Appeler le service à la clientèle. → *Page 93*

Pour éviter tout risque de blessure dû à des réparations incorrectes, respectez les points suivants.

- ▶ Seuls des techniciens qualifiés ou des prestataires de services agréés peuvent effectuer des réparations.
- ▶ Seules des pièces de rechange d'origine peuvent être utilisées pour réparer l'appareil.



IMPORTANTES CONSIGNES DE SÉCURITÉ

LIRE ET CONSERVER CES INSTRUCTIONS

- ▶ Afin d'écartier tout danger, quand le cordon d'alimentation de cet appareil est endommagé, seul le fabricant, son service à la clientèle ou toute autre personne de qualification équivalente est habilité à le faire.

AVERTISSEMENT



Veillez respecter les consignes suivantes afin d'éviter tout risque d'incendie ou de fuite de gaz nocifs.

Les dommages au niveau du circuit de refroidissement peuvent provoquer un incendie ou une explosion.

- ▶ En cas de suspicion de dommages au niveau des tuyaux de refroidissement, N'UTILISEZ PAS l'appareil.
- ▶ Évitez que des flammes nues et des étincelles soient présentes à proximité de l'appareil.
- ▶ Débranchez immédiatement l'appareil ou coupez le fusible.
- ▶ Contactez un prestataire de services autorisé ou appelez le service clientèle pour procéder à une vérification et à une réparation → *Page 93*.

1.9 Mises en garde conformément à la proposition 65 de l'État de Californie

Ce produit pourrait contenir un produit chimique reconnu par l'État de la Californie comme cancérigène ou ayant des effets nocifs sur la reproduction. Par conséquent, vous pourriez devoir apposer l'étiquette suivante sur l'emballage du produit comme requis par la Californie :

STATE OF CALIFORNIA PROPOSITION 65 WARNING: /
AVERTISSEMENT ISSUE DE LA PROPOSITION 65
DE L'ÉTAT DE LA CALIFORNIE:



WARNING /
AVERTISSEMENT

Cancer and Reproductive Harm / Cancer et dommages à la
reproduction - www.P65Warnings.ca.gov.

2 Prévenir les bris matériels

AVIS

Le poids élevé de l'appareil ou le basculement des roulettes de l'appareil risquent d'endommager le sol lors de son déplacement.

- ▶ Transportez l'appareil avec un diable.
- ▶ Lorsque vous déplacez l'appareil, protégez le sol et ne faites pas de zigzags.

Lorsque vous fermez la porte de l'appareil, un montant de porte déplié peut endommager l'appareil.

- ▶ Ne dépliez jamais le montant de porte manuellement.
- ▶ Lorsque le montant de porte est déplié, repliez-le avant de refermer la porte de l'appareil.

L'utilisation du socle, des glissières ou des portes de l'appareil comme surface d'assise ou comme marchepied peut endommager l'appareil.

- ▶ Ne vous servez jamais du socle, des glissières ou des portes comme marchepieds et ne vous appuyez jamais dessus.

Observez les consignes suivantes pour éviter d'endommager l'appareil ou votre propriété.

- ▶ Ne raccordez pas l'appareil à la conduite d'eau si des travaux de construction sont en cours ou si l'eau semble trouble ou contient des particules visibles. Négliger ces instructions pourrait entraîner la présence de corps étrangers dans l'appareil, ce qui pourrait en affecter la performance ou causer des fuites d'eau.

Une pression de l'eau trop faible ou trop élevée peut gêner le fonctionnement de l'appareil.

- ▶ Assurez-vous que la pression d'eau au niveau de l'alimentation en eau est comprise entre 29 psi (200 kPa) minimum et 116 psi (800 kPa) maximum.
- ▶ Si la pression hydraulique excède la valeur maximale indiquée, un réducteur de pression entre le raccord d'eau potable et la trousse de tuyaux de l'appareil doit être installé.

Les tuyaux d'eau modifiés ou endommagés peuvent provoquer des dégâts matériels ou endommager l'appareil.

- ▶ Veillez à ne jamais plier, écraser, modifier ou couper les tuyaux d'eau.
- ▶ Ne réutilisez jamais des tuyaux d'eau usagés.
- ▶ Ne tirez jamais sur le tuyau d'eau ou sur la paroi arrière de l'appareil.

En cas de salissures provenant d'huile ou de graisse, des pièces en matière plastique et les joints de porte peuvent devenir poreux.

- ▶ Veillez à ce que les pièces en matière plastique et les joints de porte soient exempts d'huile et de graisse.

Les pièces métalliques ou d'aspect métallique de l'appareil peuvent contenir de l'aluminium. Au contact avec des aliments acides, l'aluminium se corrode et se décolore.

- ▶ Ne conserver des aliments dans l'appareil que s'ils sont emballés.
- Si vous nettoyez les pièces d'équipement et les accessoires au

lave-vaisselle, ceux-ci risquent de se déformer ou de déteindre.

- ▶ Ne nettoyez jamais les équipements et accessoires au lave-vaisselle.

3 Protection de l'environnement et économies

3.1 Mise au rebut de l'emballage

Les matériaux d'emballage sont écologiques et recyclables.

- ▶ Veuillez éliminer les pièces détachées après les avoir triées par matières.

3.2 Économiser de l'énergie

Si vous respectez les instructions suivantes, votre appareil consommera moins de courant.

Choisir le lieu d'installation

- Protégez l'appareil de la lumière directe du soleil.
- Installez l'appareil aussi loin que possible des radiateurs, des cuisinières et des autres sources de chaleur :
 - Respectez une distance de $1\frac{1}{4}$ " (30 mm) par rapport aux cuisinières électriques ou à gaz.
 - Respectez une distance de $11\frac{13}{16}$ " (300 mm) par rapport à un appareil de chauffage au fuel ou au charbon.
- Ne recouvrez et ne bouchez jamais les orifices de ventilation extérieurs.

Économiser de l'énergie lors de l'utilisation

Remarque : La disposition des pièces d'équipement n'a aucune influence sur la consommation d'énergie de l'appareil.

- N'ouvrez que brièvement l'appareil et fermez-le avec précaution.
- Ne recouvrez et n'obstruez jamais les grilles de ventilation intérieures ni les orifices de ventilation extérieurs.
- Transportez les produits alimentaires achetés dans un sac isotherme et rangez-les rapidement dans l'appareil.
- Attendez que les aliments et les boissons chaudes refroidissent avant de les ranger.
- Pour profiter du froid des produits congelés, placez les produits à décongeler dans le compartiment réfrigération.
- Laissez toujours un peu de place entre les produits alimentaires et la paroi arrière.
- Aspirez la poussière des grilles de ventilation extérieures.

4 Installation et branchement

4.1 Contenu de livraison

Après avoir déballé le produit, inspectez toutes les pièces pour détecter d'éventuels dégâts dus au transport et vous assurer de l'intégralité de la livraison.

En cas de réclamation, veuillez vous adresser à votre revendeur ou auprès de notre service à la clientèle → *Page 93*.

La livraison comprend :

- Appareil encastrable

- Des équipements et accessoires ¹
- Matériel de montage
- Notice de montage
- Le mode d'emploi
- Déclaration de garantie limitée du produit
- Le document annexe de la garantie ²
- Le label énergétique
- Des informations relatives à la consommation d'énergie et aux bruits
- Des informations sur Home Connect®

4.2 Critères pour le lieu d'installation

AVERTISSEMENT

Si l'appareil est installé dans une pièce trop petite, une éventuelle fuite du circuit de réfrigération pourrait donner lieu à un mélange de gaz et d'air inflammable.

- ▶ Placez l'appareil uniquement dans une pièce dont le volume minimum est de 35 ft³ (1 m³) par 8 g de fluide frigorigène. La quantité de fluide frigorigène est indiquée sur la plaque signalétique.

→ "Appareil", Fig. **1**/**14** Page 60

Selon le modèle, le poids de l'appareil départ usine peut atteindre 575 lbs (260 kg).

Le plancher doit être assez stable pour supporter le poids de l'appareil.

4.3 Monter l'appareil

- ▶ Montez l'appareil selon les instructions de montage jointes.

4.4 Préparer l'appareil pour la première utilisation

1. Retirez le matériel d'informations.
2. Retirer les films protecteurs et les sécurités de transport, par ex. les bandes adhésives et le carton.
3. Nettoyez l'appareil pour la première fois. → Page 85

4.5 Brancher l'appareil au raccordement d'eau potable

Exigences

- Une vanne d'arrêt est installée au niveau du raccordement d'eau et est librement accessible après l'installation de l'appareil.
- Le raccordement d'eau est testé et la qualité de l'eau est potable.
- Le tuyau d'évacuation d'eau est pourvu d'une bague d'étanchéité.

1. Prélevez de l'eau potable à partir du raccordement à l'eau potable de l'installation domestique jusqu'à ce qu'il n'y ait plus de dépôts ou de turbidité.

En cas de dépôts permanents ou de turbidité dans l'eau potable, installez un système de filtre à eau externe.

2. Installez le tuyau d'évacuation d'eau sur l'appareil selon les instructions de montage.

4.6 Raccordement électrique de l'appareil

Exigence : Après avoir transporté l'appareil et l'avoir installé, patientez au moins une heure avant de le brancher.

¹ selon l'équipement de l'appareil

² Pas dans tous les pays

1. Branchez la fiche secteur du cordon d'alimentation de l'appareil dans une prise murale avec mise à la terre à proximité de l'appareil. Les données de raccordement de l'appareil sont indiquées sur la plaque signalétique.

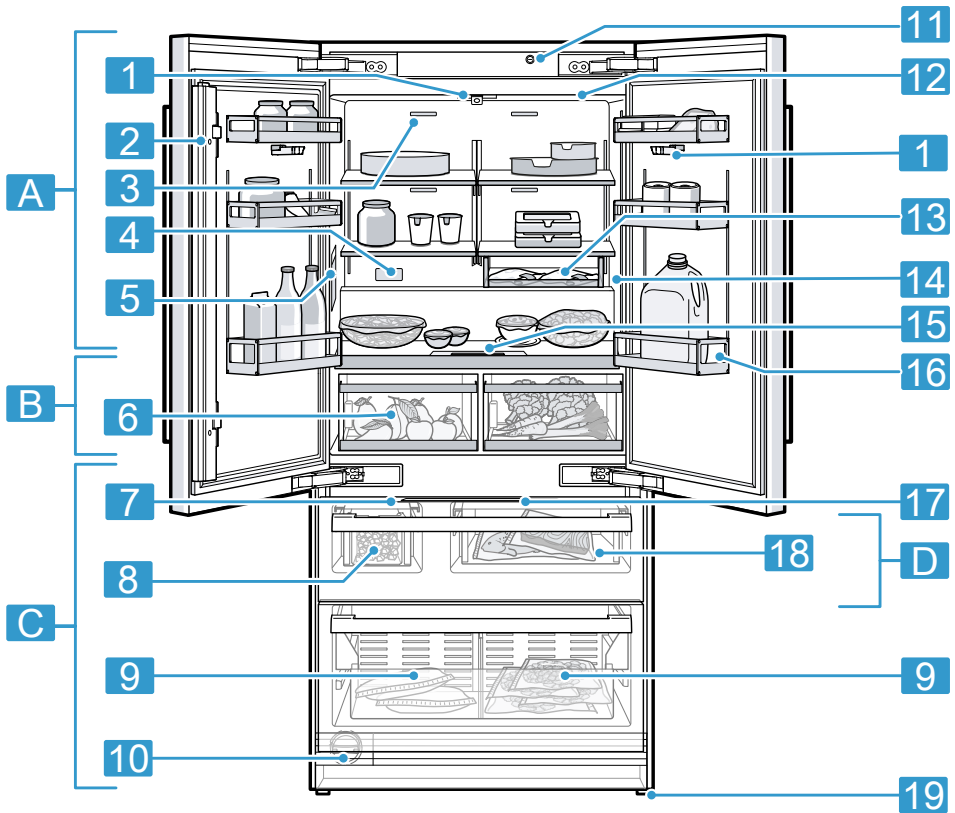
→ "Appareil", Fig. **1** ✓ **14** Page 60

2. S'assurer que la fiche est correctement insérée.
✓ L'appareil est maintenant prêt à fonctionner.

5 Description de l'appareil

5.1 Appareil

Cette section contient une vue d'ensemble des composants de votre appareil.



1

Selon l'équipement et la taille, des divergences sont possibles entre votre appareil et les illustrations.

A Compartiment réfrigération
→ Page 77

B Compartiment froid → Page 78

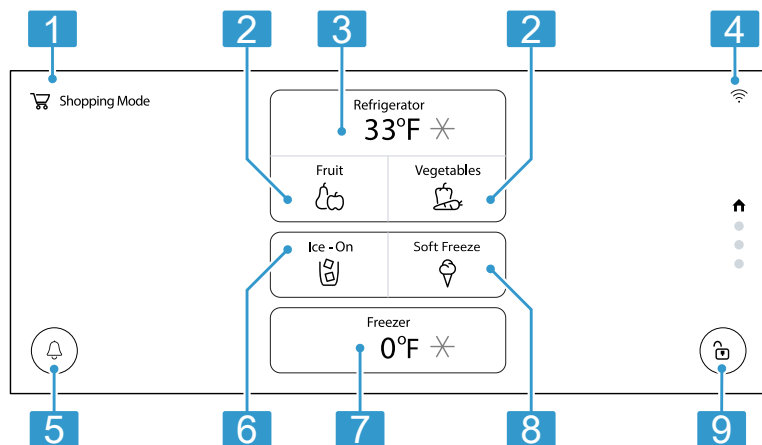
C Compartiment congélation
→ Page 78

D Compartiment à température variable → Page 80

| | |
|--|---|
| 1 Caméras | 11 Interrupteur principal |
| 2 Montant de porte avec protection anti-condensation → Page 55 | 12 Éclairage intérieur |
| 3 Orifices de ventilation internes (compartiment réfrigération) | 13 Bac à snacks → Page 63 |
| 4 Filtre anti-odeurs → Page 64 | 14 Plaque signalétique → Page 94 |
| 5 Distributeur d'eau → Page 82 | 15 Panneau de configuration → Page 60 |
| 6 Bac de rangement à froid → Page 63 | 16 Compartiment de contre-porte pour grandes bouteilles → Page 63 |
| 7 Distributeur de glaçons → Page 83 | 17 Bandeau de commande (compartiment à température variable) → Page 62 |
| 8 Réserve à glaçons → Page 63 | 18 Récipient à température variable |
| 9 Bac à produits congelés suspendu → Page 63 | 19 Pied à vis |
| 10 Filtre à eau → Page 80 | |

5.2 Bandeau de commande

Le bandeau de commande vous permet de configurer toutes les fonctions de votre appareil et d'obtenir des informations sur son état de fonctionnement.



| | | |
|----------|---------------------------------|--|
| 2 | 1 Affiche le mode réglé. | 2 Permet de régler le compartiment froid. |
|----------|---------------------------------|--|

| | |
|----------|---|
| 3 | Permet de régler le compartiment réfrigération. |
| 4 | Affiche le statut de Home Connect®, par ex. si l'appli Home Connect® est activée ou désactivée. |
| 5 | 🔔 ouvre le centre de notifications. |
| 6 | Permet de régler la production de glaçons. |
| 7 | Permet de régler le compartiment congélation. |
| 8 | Permet de régler le compartiment à température variable. |
| 9 | Active ou désactive le verrouillage des touches de l'écran. |

Logique de commande





Certaines zones de l'écran réagissent au toucher. Vous pouvez activer les réglages en effleurant les touches.

Les réglages activés sont mis en surbrillance à l'écran. Vous pouvez modifier ou désactiver les réglages activés en appuyant plusieurs fois sur les touches correspondantes à l'écran.

AVIS

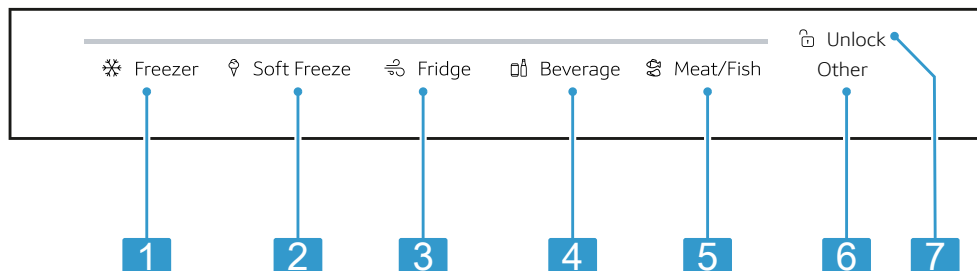
Un choc violent sur l'écran peut entraîner des dommages.

- ▶ N'exercez aucune pression forte sur l'écran.
- ▶ N'appuyez pas sur l'écran avec des objets tranchants ou pointus.

| Symbole | Description |
|---|--|
|  | Accéder à l'écran de démarrage |
|  | Afficher d'autres informations à l'écran |
|  | Activer la fonction |
|  | Désactiver la fonction |

5.3 Bandeau de commande (compartiment à température variable)

Le bandeau de commande du compartiment à température variable vous permet de définir le réglage de palier.



3

1 ❄️ **Congélateur** règle le réglage de palier dans le compartiment à température variable sur Congélateur.

2 ❄️ **Congélation douce** règle le réglage de palier dans le compartiment à température variable sur Congélation douce.

3 🧊 **Réfrigérateur** règle le réglage de palier dans le compartiment à température variable sur Réfrigérateur.

4 🥤 **Boissons** règle le réglage de palier dans le compartiment à température variable sur Boissons.

5 🍖 **Viande et poisson** règle le réglage de palier dans le compartiment à température variable sur Viande et poisson.

6 "Autre" s'allume lorsque des réglages définis par l'utilisateur sont réglés via l'appli Home Connect® ou le bandeau de commande.

7 🔓 **Déverrouiller** désactive le verrouillage des touches du bandeau de commande (compartiment à température variable).

6 Équipement

L'équipement de votre appareil dépend de son modèle.

6.1 Clayette

AVIS

Les crochets de la clayette peuvent rayer la paroi arrière du

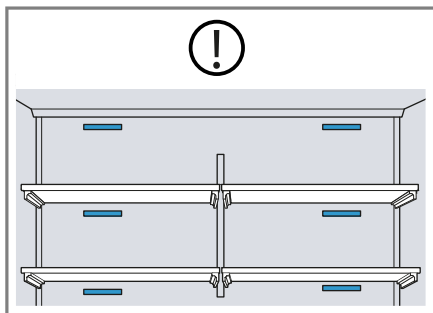
compartiment réfrigération lorsqu'elle est accrochée en biais.

- ▶ Assurez-vous que la clayette est à l'horizontale et que les crochets sont bien enclenchés.

Pour varier la position de la clayette selon les besoins, vous pouvez retirer la clayette et la replacer à un autre endroit.

→ "Retirer la clayette", Page 85

Remarque : Pour ne pas entraver la circulation de l'air, ne couvrez pas les orifices de ventilation internes.



6.2 Bac à snacks

Conservez les aliments ou les petits en-cas emballés dans le bac à snacks.

6.3 Bac de rangement à froid

Pour régler automatiquement l'humidité et la température correctes de vos aliments dans le bac de rangement à froid, utilisez les différents réglages de stockage du bac de rangement à froid.

Conservez les fruits et légumes frais non emballés dans le bac de rangement à froid.

Conservez les fruits et légumes coupés recouverts ou dans un emballage hermétique.

Pour des raisons d'hygiène, ne stockez pas les fruits et légumes en contact avec de la viande et du

poisson dans un bac de rangement à froid.

Suivant la quantité et la nature des produits stockés, de l'eau peut se condenser dans le bac de rangement à froid.

Essuyez l'eau condensée avec un chiffon sec.

Afin de conserver leur qualité et leurs arômes, rangez les fruits et légumes sensibles au froid en dehors de l'appareil à des températures comprises entre 46 °F (8 °C) à 54 °F (12 °C) environ, par ex. les ananas, les bananes, les agrumes, les concombres, les courgettes, les poivrons, les tomates et les pommes de terre.

6.4 Récipient à température variable

Utilisez différents réglages de palier afin de régler la bonne température pour vos aliments dans le récipient à température variable.

6.5 Bac à produits congelés suspendu

Stockez les aliments congelés volumineux dans le bac à produits congelés suspendu.

6.6 Compartiment de contre-porte

Pour varier la position du compartiment dans la contreporte selon les besoins, vous pouvez le retirer et le replacer à un autre endroit.

→ "Retirer le compartiment de contre-porte", Page 86

6.7 Réserve à glaçons

Si la production de glaçons est activée, des glaçons sont

automatiquement entreposés dans la réserve à glaçons.

AVIS

Le distributeur de glaçons peut être bloqué ou endommagé par des aliments ou des objets stockés dans le bac à glaçons.

- ▶ Ne stockez jamais d'aliments ou d'objets dans le bac à glaçons.

Remarque : Pour éviter de trop remplir la réserve à glaçons, ne répartissez pas les glaçons à la main dans celle-ci.

Conseil : Pour éviter que des glaçons ne tombent de la réserve à glaçons dans le compartiment congélation, ne claquez pas le tiroir du compartiment congélation.

6.8 Caméras

Les caméras prennent une photo du compartiment réfrigération, du compartiment froid et de l'intérieur des portes du compartiment réfrigération à chaque fermeture de porte. Vous pouvez accéder aux photos via l'appli Home Connect et un appareil mobile. Activer les caméras → *Page 68*

Remarque : Fermez lentement la porte de l'appareil pour permettre aux caméras de prendre des photos de bonne qualité. Si vous fermez la porte de l'appareil trop rapidement, les photos risquent d'être floues. Les photos floues peuvent également être dues à une caméra sale.

→ *"Nettoyer la caméra", Page 85*

6.9 Filtre anti-odeurs

Le filtre anti-odeurs filtre les odeurs et peut être remplacé si nécessaire.

→ *"Remplacer le filtre anti-odeurs", Page 86*

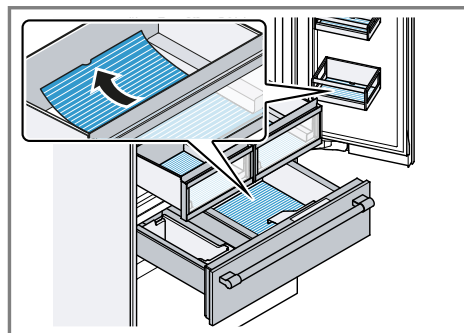
6.10 Accessoires

Utilisez uniquement des accessoires d'origine. Ils ont été spécialement conçus pour votre appareil.

L'accessoire de votre appareil dépend du modèle.

Tapis antidérapant

Le tapis antidérapant empêche les bouteilles et les aliments de glisser. Suivant la quantité et la nature du produit stocké, de la condensation peut se former sur le tapis antidérapant. Si nécessaire, retirez le tapis antidérapant et essuyez l'eau condensée avec un chiffon sec.



Absorbeur d'éthylène

Des consignes de sécurité importantes et des informations sur l'installation et l'utilisation figurent dans les instructions de montage de l'absorbeur d'éthylène.

L'absorbeur d'éthylène ralentit la maturation des fruits et légumes sensibles à l'éthylène afin de préserver leur fraîcheur plus longtemps.

Installer l'absorbeur d'éthylène

- ▶ Installez l'absorbeur d'éthylène conformément aux instructions de montage de ce dernier.

Utiliser le kit de recharge

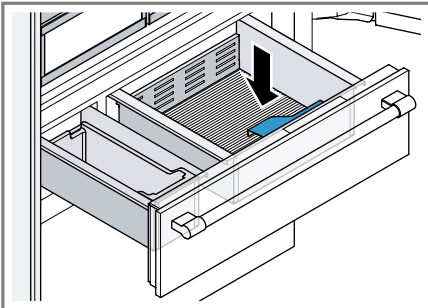
1. Installez les composants de la trousse de recharge conformément aux instructions de montage de l'absorbeur d'éthylène.
2. Remplacez les sachets au moins tous les 6 mois après la réinitialisation.

Remarque : Pour obtenir des trousse de recharge, adressez-vous à notre service après-vente ou consultez notre site Web.

Pelle à glace

Utilisez la palette à glace pour prélever une portion des glaçons.

Conseil : Placez la palette à glace dans le récipient à température variable.



7 Avant la première utilisation

7.1 Première mise en service

Exigences

- L'appareil est monté conformément aux instructions de montage jointes.
- L'appareil est raccordé électriquement. → Page 57

1. Mettez l'appareil sous tension à l'aide de l'interrupteur principal.
→ "Appareil", Fig. 1/11 Page 60

2. Fermez les portes de l'appareil, patientez 3 minutes puis rouvrez-les.
 3. Sélectionnez une langue.
 4. Vérifiez le raccordement à l'eau et le débit d'eau.
 5. Sélectionnez l'une des options :
 - ▶ Pour configurer Home Connect®, appuyez sur "Se connecter" et suivez les instructions à l'écran.
 - ▶ Pour régler manuellement l'heure, la date et l'unité de température, appuyez sur "Manual Set-Up" et suivez les instructions à l'écran.
 - ▶ Démarrez l'installation de l'absorbeur d'éthylène avec "Install Now" et suivez les instructions à l'écran.
 - ▶ Pour accéder directement à l'écran de démarrage, effleurez "Ignorer".
- ✓ La première mise en service est terminée.

8 Opération de base

8.1 Allumer l'appareil

1. Mettez l'appareil sous tension à l'aide de l'interrupteur principal.
→ "Appareil", Fig. 1/11 Page 60
- ✓ L'appareil commence à réfrigérer.
2. Réglez la température souhaitée.
→ Page 66

8.2 Remarques concernant le fonctionnement de l'appareil

- Lorsque vous avez allumé l'appareil, il peut s'écouler jusqu'à plusieurs heures avant que la température réglée ne soit atteinte.

Ne rangez aucun aliment avant que la température réglée ne soit atteinte.



- Les surfaces frontales et les parois latérales du boîtier sont légèrement chauffées temporairement. Cela permet d'éviter la condensation.
- Lorsque vous refermez la porte, veillez à ce qu'elle ne soit pas bloquée par les aliments stockés.
- Lorsque vous refermez la porte, une dépression peut se produire. La porte est alors difficile à rouvrir. Patientez quelques instants jusqu'à ce que la dépression soit compensée.
- La température de l'appareil varie selon les conditions suivantes :
 - Fréquence des ouvertures de l'appareil
 - Charge
 - Température des aliments nouvellement stockés
 - Température ambiante
 - Exposition directe au soleil



8.3 Éteindre l'appareil

- ▶ Mettez l'appareil hors tension à l'aide de l'interrupteur principal.
→ "Appareil", Fig. **1**/**11** Page 60

8.4 Régler la température

Régler la température du réfrigérateur


1. Appuyez sur l'affichage de la température (réfrigérateur).
2. Appuyer plusieurs fois sur / jusqu'à ce que le compartiment réfrigération affiche la température souhaitée.

Conseil : Si vous maintenez / enfoncé, la température change de 1 ° par seconde


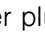
jusqu'à ce que vous relâchiez la touche.


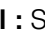
La température recommandée dans le compartiment réfrigération est de 37 °F (3 °C).

Régler la température du réfrigérateur recommandée

1. Appuyez sur l'affichage de la température (réfrigérateur).
 2. Appuyez sur "Réglé défaut" .
- ✓ La température du réfrigérateur est réglée sur 37 °F (3 °C).


Régler la température du congélateur

1. Appuyez sur l'affichage de la température (congélateur).
2. Appuyer plusieurs fois / jusqu'à ce que le compartiment congélation indique la température souhaitée.

Conseil : Si vous maintenez / enfoncé, la température change de 1 ° par seconde jusqu'à ce que vous relâchiez la touche.

La température recommandée dans le compartiment congélation est de 0 °F (-18 °C).

Régler la température du congélateur recommandée

1. Appuyez sur l'affichage de la température (congélateur).
 2. Appuyez sur "Réglé défaut" .
- ✓ La température du congélateur est réglée sur 0 °F (-18 °C).

8.5 Réglage de stockage pour le compartiment froid

Vous pouvez régler la température et l'humidité des bacs de rangement à froid à l'aide de réglages de stockage prédéfinis.

Conseil : D'autres réglages sont disponibles dans l'appli Home Connect®.

Régler le réglage de stockage pour compartiment froid

1. Appuyez sur le bac de rangement à froid souhaité.
2. Appuyez sur "Plus" **ooo**.
3. Appuyez sur le réglage de stockage souhaité et confirmez avec **↑**.

8.6 Réglage de palier du compartiment à température variable

Vous pouvez régler la température du compartiment à température variable à l'aide des réglages de palier prédéfinis dans le bandeau de commande de l'appareil ou dans le bandeau de commande du compartiment à température variable.

Conseil : D'autres réglages sont disponibles dans l'appli Home Connect®.

Régler le compartiment à température variable

1. Appuyez sur le réglage de palier du compartiment à température variable.
2. Appuyez sur "Plus d'options" **ooo**.
3. Appuyez sur le réglage de palier souhaité et confirmez avec **↑**.

Régler le bandeau de commande (compartiment à température variable)

1. Dans le bandeau de commande (compartiment à température

variable), appuyez sur **⏏** **Déverrouiller** jusqu'à ce que la barre lumineuse s'allume entièrement.

2. Appuyez sur le réglage de palier souhaité.

8.7 Verrouillage des touches

Le verrouillage des touches empêche toute utilisation involontaire ou incorrecte de l'appareil.

Remarque : Vous pouvez activer ou désactiver le verrouillage automatique de manière permanente.
→ *Page 69*

Activer le verrouillage des touches

- ▶ Appuyez sur **⏏** pendant 2 secondes.
- ✓ **⏏** s'allume.

Désactiver le verrouillage des touches

- ▶ Appuyez sur **⏏** pendant 2 secondes.

9 Réglages de base


9.1 Modifier les réglages de base

1. Accédez au "Réglages" en balayant.
- ✓ "Généralités" s'allume.
2. Effleurez le réglage de base souhaité et modifiez-le.




9.2 Vue d'ensemble des réglages de base


Cette section contient une vue d'ensemble réglages de base et d'usine. Les réglages de base dépendent de l'équipement de votre appareil.

Généralités




| Réglage | Sélection | Description |
|--------------------|--|--|
| Connectivité/Wi-Fi | Se reporter aux informations affichées. Plus d'options Se connecter Effacer | Affiche le statut du Wi-Fi. → <i>Page 75</i> Affiche les réglages Home Connect®. Configurer Home Connect®. → <i>Page 73</i> Supprimer les paramètres réseau |
| Caméras |  | Allumer ou éteindre les caméras. → <i>"Caméras", Page 64</i> |
| Langue | Anglais Espagno Français | Sélectionner la langue du menu. |
| Unités | Fahrenheit Celsius | Régler l'unité de température. |

Modes spéciaux

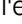



| Réglage | Sélection | Description |
|-------------|--|--|
| Mode normal | Mode normal | Activer ou désactiver le mode standard. |
| Magasinage |  Magasinage | Activer ou désactiver le mode Achat. → <i>"Mode Achat", Page 71</i> |
| Sabbat |  Sabbat | Activer ou désactiver le mode Sabbat. Sélectionner une heure prédéfinie et suivre les instructions à l'écran. → <i>"Mode Sabbat", Page 72</i> Conseil : Vous pouvez adapter les heures préréglées. |
| Eco |  Eco | Activer ou désactiver le mode Économie d'énergie. → <i>"Mode économie d'énergie", Page 71</i> |

| Réglage | Sélection | Description |
|----------|--|--|
| Vacances |  Vacances | Activer ou désactiver le mode Vacances. → "Mode Vacances", Page 71 |





Affichage

| Réglage | Sélection | Description |
|------------------------------|---|--|
| Lumin d'affichage | Auto "Manuel" de "1" à "5" | Activer ou désactiver l'éclairage de l'écran automatique. Régler l'éclairage de l'écran manuellement à l'aide de  et  . |
| Auto-verrouillage de l'écran |  | Activer ou désactiver le verrouillage automatique. |

Audio

| Réglage | Sélection | Description |
|--------------------------|--------------|---|
| Volume d'affichage | de "0" à "8" | Régler le volume de l'écran à l'aide de  et  . |
| Volume des notifications | de "0" à "8" | Régler le volume des notifications à l'aide de  et  . |

Éclairage

| Réglage | Sélection | Description |
|----------------------|---|--|
| Lumières intérieures | Auto "Manuel" de "1" à "5" | Activer ou désactiver la luminosité automatique de l'éclairage intérieur. → "Éclairage intérieur", Page 72 Régler la luminosité de l'éclairage intérieur manuellement à l'aide de  /  . |
| Guidage de lumière |  | Activer ou désactiver les assistants d'éclairage. |
| Éclairage de théâtre |  | Activer ou désactiver l'éclairage Théâtre. |

10 Fonctions additionnelles

Découvrez les fonctions additionnelles dont votre appareil dispose. L'appli Home Connect® vous permet de régler d'autres fonctions supplémentaires.

10.1 Super-réfrigération

La fonction Super-réfrigération permet de refroidir au maximum le compartiment réfrigération. Activez la fonction Super-réfrigération avant de ranger de grandes quantités d'aliments dans le compartiment réfrigération.

Remarque : Lorsque la fonction Super-réfrigération est activée, il est possible que l'appareil fonctionne plus bruyamment.

Allumez la fonction Super-réfrigération

1. Appuyez sur l'affichage de la température (réfrigérateur).
 2. Appuyez sur "Super Cool" ✖ "Arrêt".
- ✓ ✖ "Actif" s'allume dans l'affichage de la température (réfrigérateur).

Remarque : Après environ 6 heures, l'appareil passe en mode de fonctionnement normal.

Désactivez le Super-réfrigération

1. Appuyez sur l'affichage de la température (réfrigérateur).
 2. Appuyez sur "Super Cool" ✖ "Arrêt".
- ✓ ✖ "Actif" s'éteint dans l'affichage de la température (réfrigérateur).
- ✓ La température réglée auparavant s'affiche.

10.2 Super-congélation automatique

Grâce à la fonction Super-congélation automatique, le congélateur refroidit beaucoup plus qu'en fonctionnement normal. De ce fait, les aliments congèlent plus rapidement à cœur.

La fonction automatique Super-congélation s'allume lorsque vous entreposez dans le compartiment congélation un certain nombre d'aliments frais.

La fonction Super-congélation automatique est activée en usine. Vous pouvez désactiver la Super-congélation automatique. Si la fonction Super-congélation automatique est activée, ✖ s'allume et il est possible que l'appareil fonctionne plus bruyamment. L'appareil passe en mode de fonctionnement normal après l'expiration de la fonction Super-congélation automatique.

Remarque : Pour savoir comment activer et désactiver la fonction automatique Super-congélation, consultez les réglages du service.
→ Page 77

Annuler la fonction Super-congélation automatique

1. Appuyez sur l'affichage de la température (congélateur).
 2. Appuyez sur ✖ "Actif".
- ✓ ✖ "Actif" s'éteint dans l'affichage de la température (congélateur).
- ✓ La température réglée auparavant s'affiche.

10.3 Fonction Super-congélation manuelle

Avec la fonction Super-congélation, le compartiment congélation refroidit au maximum.

Éteignez Super-congélation avant de stocker une plus grande quantité d'aliments.

Utilisez Super-congélation pour accélérer la production de glaçons.

Remarque : Lorsque la fonction Super-congélation est activée, il est possible que l'appareil fonctionne plus bruyamment.

Activer la fonction Super-congélation manuelle

1. Appuyez sur l'affichage de la température (congélateur).
 2. Appuyez sur "Super gel" ✳ "Arrêt".
- ✓ ✳ "Actif" s'allume dans l'affichage de la température (congélateur).

Remarque : Après environ 8 heures, l'appareil passe en mode de fonctionnement normal.

Désactiver la fonction Super-congélation manuelle

1. Appuyez sur l'affichage de la température (congélateur).
 2. Appuyez sur "Super gel" ✳ "Arrêt".
- ✓ ✳ "Actif" s'éteint dans l'affichage de la température (congélateur).
- ✓ La température réglée auparavant s'affiche.

10.4 Mode Achat

Allumez le "Mod d'achat" avant d'aller acheter les aliments.

Le "Mod d'achat" allume les fonctions Super-réfrigération et Super-congélation en même temps.

Remarque : Pour savoir comment activer le mode Achat, consultez les réglages de base. → *Page 68*

10.5 Mode Vacances

Si vous vous absentez pendant une longue période, vous pouvez activer le mode Vacances pour économiser l'énergie sur l'appareil.

▲ MISE EN GARDE

Lorsque le mode Vacances est activé, le compartiment réfrigération se réchauffe. L'augmentation de la température peut entraîner la multiplication des bactéries et l'altération des aliments.

- ▶ Quand le mode Vacances est activé, ne stockez pas d'aliments dans le compartiment réfrigération.

L'appareil adapte automatiquement les températures.

| | |
|-------------------------------------|-----------------------|
| Compartiment réfrigération | 58 °F (14 °C) |
| Compartiment froid | Température inchangée |
| Compartiment congélation | Température inchangée |
| Compartiment à température variable | Température inchangée |

Remarques

- En mode Vacances, la production de glaçons et la distribution d'eau sont désactivés.
- Pour savoir comment activer le mode Vacances, consultez les réglages de base. → *Page 69*

10.6 Mode économie d'énergie

Le mode Économie d'énergie permet de commuter en mode de fonctionnement économe en énergie. L'appareil adapte automatiquement les températures.

| | |
|----------------------------|--------------|
| Compartiment réfrigération | 43 °F (6 °C) |
|----------------------------|--------------|

| | |
|-------------------------------------|-----------------------|
| Compartiment froid | 32 °F (0 °C) |
| Compartiment congélation | 6 °F (-14 °C) |
| Compartiment à température variable | Température inchangée |

Les températures supérieures à 0 °F (-18 °C) réduisent la durée de conservation des aliments. Utilisez le mode économie d'énergie pour stocker des aliments à court terme.

Remarque : Pour savoir comment activer le mode Économie d'énergie, consultez les réglages de base.
→ Page 68

10.7 Éclairage intérieur

Vous pouvez éteindre l'éclairage intérieur ou régler la luminosité.

10.8 Mode Sabbat

En mode Sabbat, toutes les fonctions non essentielles sont désactivées pour vous permettre d'utiliser l'appareil le jour du sabbat.

En mode Sabbat, les fonctions suivantes sont désactivées :

- Super-réfrigération
- Super-congélation automatique et Super-congélation manuelle
- Alarme
- Distributeur d'eau
- Production de glaçons
- Éclairage intérieur
- Signaux sonores
- Messages sur le bandeau de commande

Remarques


- En mode Sabbat, l'éclairage du bandeau de commande est moins lumineux.

- Pour savoir comment activer le mode Sabbat, consultez les réglages de base. → Page 68

11 Alarme

11.1 Alarme de porte

L'alarme de porte retentit lorsque la porte de l'appareil reste ouverte longtemps.


Une alarme sonore retentit et  "Alarme de porte" apparaît à l'affichage.

Désactiver l'alarme de porte

- ▶ Fermez la porte de l'appareil ou appuyez sur "Désactiver l'alarme".
- ✓ L'alarme sonore est désactivée.

11.2 Alarme de température

Si la température monte trop dans le compartiment congélation, l'alarme de température retentit.

Une alarme sonore retentit et  "Alarme de température élevée du congélateur" s'allume.

MISE EN GARDE

Lors de la décongélation, les bactéries peuvent se multiplier et les aliments congelés peuvent s'abîmer.

- ▶ Ne remettez pas à congeler des produits alimentaires partiellement ou entièrement décongelés.
- ▶ Ne recongelez les aliments qu'après avoir les avoir fait cuire ou rôti.
- ▶ N'utilisez plus la durée de conservation dans son intégralité.

L'alarme de température peut s'enclencher dans les cas suivants :

- L'appareil est mis en route. Attendez que la température réglée soit atteinte avant de ranger les produits.

- Rangement de grandes quantités de produits alimentaires frais. Activez Super-congélation avant de ranger de grandes quantités de nourriture.
- Porte du compartiment congélation restée trop longtemps ouverte. Vérifiez si les produits surgelés ont été décongelés.

Éteindre l'alarme de température

- ▶ Appuyez sur "Oui, voir temp plus élevée" et confirmez avec "OK".
- ✓ L'alarme sonore est désactivée.
- ✓ L'affichage indique la température la plus élevée qui a régné dans le compartiment congélation. Ensuite l'affichage indique à nouveau la température réglée.
- ✓ À partir de ce moment-là, l'appareil détermine et enregistre à nouveau la température la plus élevée.

12 Home Connect®

Cet appareil peut être mis en réseau. Branchez votre appareil à un appareil mobile pour en effectuer la commande via l'application Home Connect®.

Les services Home Connect® ne sont pas proposés dans tous les pays. La disponibilité de la fonction Home Connect® dépend de la disponibilité des services Home Connect® dans votre pays. Vous trouverez de plus amples informations à ce sujet à l'adresse : www.home-connect.com.

Pour utiliser Home Connect®, configurez d'abord la connexion à votre réseau domestique WLAN (Wi-Fi¹) et à l'application Home Connect®.

Attendez au moins 2 minutes après la mise en marche de l'appareil, jusqu'à ce que l'initialisation interne de l'appareil soit achevée. Réglez ensuite d'abord Home Connect®. L'application Home Connect® vous guide tout au long du processus de connexion. Suivez les directives et observez les consignes de l'application Home Connect®.

Remarques

- Observez les consignes de sécurité de la présente notice d'utilisation et assurez-vous qu'elles sont également respectées si vous utilisez l'appareil avec l'application Home Connect®.
→ "Sécurité", Page 49
- Les commandes sur l'appareil même ont toujours priorité. Pendant ce temps, la commande via l'application Home Connect® n'est pas possible.

12.1 Configurer Home Connect®

Exigence : L'appareil a accès au réseau domestique WLAN (Wi-Fi) sur le lieu d'installation.

1. Scanner le code QR ci-après.



Le code QR vous permet d'installer l'appli Home Connect® et de connecter votre appareil.

2. Suivez les instructions de l'application Home Connect®.

¹ Wi-Fi est une marque déposée de la société Wi-Fi Alliance.

12.2 Installer la mise à jour du logiciel Home Connect®

Remarque : Si une mise à jour du logiciel Home Connect® est disponible, un message apparaît dans l'appli Home Connect®. Vous trouverez la version actuelle du logiciel dans l'appli Home Connect® sous les informations relatives à l'appareil.

- ▶ Pour installer la mise à jour du logiciel Home Connect®, suivez les instructions de l'appli Home Connect®.
- ✓ Pendant l'installation, le bandeau de commande est partiellement verrouillé.

12.3 Réinitialiser les réglages Home Connect®

Si vous rencontrez des problèmes de connexion de votre appareil à votre réseau domestique WLAN (Wi-Fi) ou si vous souhaitez enregistrer votre appareil dans un autre réseau domestique WLAN (Wi-Fi), vous pouvez réinitialiser les réglages de Home Connect®.

Remarque : Vous trouverez comment réinitialiser les réglages Home Connect dans les réglages de base.

→ Page 67

12.4 Diagnostic à Distance

Le service à la clientèle peut accéder à votre appareil à l'aide de Diagnostic à Distance si vous le lui demandez, à condition que votre appareil soit connecté au serveur Home Connect® et que Diagnostic à Distance soit disponible pour votre appareil et votre pays. Pour des informations sur la disponibilité de Diagnostic à Distance dans votre pays, consultez la section Service/

Soutien de votre site Web local : www.home-connect.com.

Veillez noter que si Diagnostic à Distance peut aider à résoudre certains problèmes, il peut arriver qu'une visite sur place soit nécessaire si le problème ne peut être résolu à distance.

12.5 Protection des données

Observez les conseils de protection des données.

Lors de la première connexion de votre appareil à un réseau domestique relié à Internet, votre appareil transmet les catégories de données suivantes au serveur Home Connect® (premier enregistrement) :

- Code d'appareil univoque (constitué de clés d'appareil ainsi que de l'adresse MAC du module de communication Wi-Fi intégré).
- Certificat de sécurité du module de communication Wi-Fi (pour la protection des informations de la connexion).
- La version actuelle du logiciel et du matériel de votre électroménager.
- État d'une précédente restauration éventuelle des réglages d'usine.

Ce premier enregistrement prépare l'utilisation des fonctions Home Connect® et s'avère uniquement nécessaire au moment où vous souhaitez utiliser les fonctions Home Connect® pour la première fois.

Remarques


- Veillez noter que les fonctions Home Connect® ne sont utilisables qu'avec l'application Home Connect®. Vous pouvez consulter les informations sur la

protection des données dans l'appli Home Connect®.

- Il est possible que des utilisateurs, des personnes ou des locaux hors de l'appareil soient capturés par les caméras et donc représentés dans l'appli Home Connect®. De telles photos sont traitées dans le système Home Connect® pour être mis à disposition dans l'appli Home Connect®. Vous pouvez consulter les informations sur le traitement des données dans l'appli Home Connect®.

12.6 État de la connexion Home Connect®

Vous trouverez ici un aperçu de l'état de la connexion Home Connect®.

| Symbole | Description |
|---|--|
|  | L'appareil est connecté à l'appli Home Connect®. |

13.2 Vue d'ensemble des réglages de service




Vous trouverez ici un aperçu des réglages de service.

Info sur l'appareil

| Réglage | Sélection | Description |
|---|--|--|
| Se reporter aux informations affichées. | Numéro E : Date de fabrication : // Numéro Z : Numéro de série: | Affiche des informations sur l'appareil. |

Gestion des filtres

| Réglage | Sélection | Description |
|--------------|---|---|
| Filtre à eau | Se reporter aux informations affichées. Réinit | Affiche le statut du filtre à eau. Suivez les instructions à l'écran et réinitialisez le statut du filtre à eau. |

| Symbole | Description |
|---|--|
|  | L'appareil n'est pas connecté à l'appli Home Connect®. |
|  | L'appareil n'a aucune connexion au réseau domestique. |
|  | Le diagnostic à distance est activé. |

13 Réglages de service

Vous pouvez procéder à différents réglages de service.

13.1 Modifier des réglages de service

1. Accédez au "Service" en balayant.
- ✓ "Info sur l'appareil" s'allume.
2. Appuyez sur le réglage de service souhaité et modifiez-le.

| Réglage | Sélection | Description |
|-----------------------|---|--|
| Absorbeurs d'éthylène | Se reporter aux informations affichées. Installer Réinit Supprimer | Affiche le statut de l'absorbeur d'éthylène. Installer l'absorbeur d'éthylène. Réinitialiser le statut de l'absorbeur d'éthylène. Démonter l'absorbeur d'éthylène. → "Absorbeur d'éthylène", Page 64 |
| Filtre à air | Se reporter aux informations affichées. | Le filtre à air peut être remplacé s'il ya une odeur au fil du temps. |


Guides pratiques



| Réglage | Sélection | Description |
|---|---|--|
| Se reporter aux informations affichées. | Comment redémarrer mon appareil. Comment changer mon filtre à eau. Comment changer mes absorbeurs d'éthylène. | Affiche les instructions étape par étape sur l'écran. Appuyez sur les instructions souhaitées et suivez-les à l'écran. |

Service client

| Réglage | Sélection | Description |
|---------------------------------------|---|--|
| Service à la clientèle 24h/24 et 7j/7 | Se reporter aux informations affichées. | Affiche le numéro de téléphone du service après-vente. Scanner le code QR pour accéder à la page Web du service après-vente. |

Service avancé

| Réglage | Sélection | Description |
|---------------|--|---|
| Heure et Date | Se reporter aux informations affichées. Auto adjust  | Suivez les instructions figurant à l'écran et réglez l'heure et la date. Activez ou désactivez l'heure et la date réglées automatiquement. |

| Réglage | Sélection | Description |
|------------------------|---|---|
| | | Remarque : "Auto adjust" est uniquement disponible si Home Connect® est configuré. |
| Auto-Super |  | Activer ou désactiver la fonction Super-congélation automatique. → " <i>Super-congélation automatique</i> ", Page 70 |
| Réinitialisation usine | Réinitialisez | Réinitialiser l'appareil aux réglages usine. |
| Mode Démo |  | Activer ou désactiver le mode Démo. En mode Démo, l'appareil ne refroidit pas. Remarque : Le mode Démo est disponible pendant une durée limitée après la mise sous tension de l'appareil. |

14 Compartiment réfrigération

Vous pouvez entreposer des produits laitiers, des œufs, des plats cuisinés, des pâtisseries, des conserves ouvertes et des fromages à pâte dure dans le compartiment fraîcheur. La température est réglable de 33 °F (1 °C) à 43 °F (6 °C).

Le stockage au froid vous permet aussi de ranger des denrées facilement périssables à court et moyen terme. Plus la température choisie est basse, plus les aliments restent frais plus longtemps.

14.1 Conseils pour ranger des produits alimentaires dans le compartiment réfrigération

- Stockez uniquement des aliments frais et intacts.
- Conservez les aliments dans un récipient hermétique ou couvert.
- Pour ne pas entraver la circulation de l'air et éviter que les aliments ne gèlent, ne placez pas les aliments devant les orifices de ventilation internes ni en contact direct avec la paroi arrière.
- Laissez les boissons et aliments chauds refroidir avant de les ranger.
- Respectez la date de péremption ou la date limite d'utilisation indiquée par le fabricant.

14.2 Zones froides du réfrigérateur

Le système de refroidissement par recirculation d'air laisse circuler l'air de manière homogène dans le compartiment réfrigération et garantit une température constante au niveau de toutes les clayettes.

Zone la plus froide

La partie inférieure près du panneau arrière est la zone la plus froide.

Conseil : Dans le compartiment froid ou le compartiment à température variable, conservez les aliments facilement périssables, par exemple le poisson, la charcuterie et la viande.

→ "Compartiment froid", Page 78

→ "Compartiment à température variable", Page 80



15 Compartiment froid





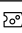


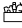
Dans le compartiment froid, vous pouvez conserver les aliments frais plus longtemps que dans le compartiment réfrigération.

La température peut être réglée de 32°F (0°C) à 37°F (3°C) grâce à des réglages de paliers prédéfinis.



La basse température et l'humidité optimale dans le bac de rangement à froid garantissent des conditions de stockage idéales pour les aliments facilement périssables.

15.1 Recommandations de stockage dans le compartiment froid

| Réglage de stockage | Aliments |
|---|----------|
|  Boisson | Boissons |
|  Légumes | Légumes |

| Réglage de stockage | Aliments |
|--|---|
|  Fruits | Fruits |
|  Fruit & légume | Denrées mélangées avec fruits et légumes |
|  Poisson | Poisson et fruits de mer |
|  Deli | Épicerie fine |
|  Fromage | Fromage et produits laitiers |
|  Charcuterie | Épicerie fine, fromage et produits laitiers |
|  Viande | Viande et charcuterie |
|  Variété | Charges mixtes |

Conseil : Les fruits, les légumes, les boissons et les en-cas peuvent être congelés à une température inférieure à 32 °F (0 °C).

Utilisez les réglages de stockage  et  uniquement pour "Viande" et "Poisson".

16 Compartiment congélation

Dans le compartiment congélation, vous pouvez stocker des aliments congelés, congeler des aliments et confectionner des glaçons.

La température est réglable de 6 °F (-14 °C) à -7 °F (-22 °C).

La température de stockage à long terme des aliments doit se situer à 0 °F (-18 °C) ou encore plus bas.

La congélation vous permet de stocker les aliments facilement périssables à long terme. Les basses températures ralentissent ou stoppent la l'altération des aliments.

16.1 Conseils pour ranger des aliments dans le compartiment congélation

- Conservez les aliments dans des emballages hermétiques.
- Veillez à ce que les aliments à congeler n'entrent pas en contact avec d'autres déjà congelés.
- Répartissez les aliments sur une grande surface dans le bac à produits congelés suspendu.

16.2 Conseils pour congeler des aliments frais

- Congelez uniquement des aliments frais et d'un aspect impeccable.
- Congelez les aliments en portions.
- Les plats cuisinés sont plus appropriés que les aliments crus comestibles.
- Lavez, hachez et blanchissez les légumes avant de les congeler.
- Avant la congélation, lavez les fruits, retirez les pépins et épluchez les fruits si nécessaire, ajoutez du sucre ou une solution d'acide ascorbique si nécessaire.
- Les produits de boulangerie, le poisson et les fruits de mer, la viande, le gibier et la volaille, les œufs sans coquille, le fromage, le beurre, le caillé, les plats préparés et les restes se prêtent à la congélation.
- La laitue, les radis, les œufs en coquille, les raisins, les pommes et poires crues, le yaourt, la crème aigre, la crème fraîche et la mayonnaise ne se prêtent pas à la congélation.

Emballer les surgelés

Un matériau d'emballage approprié et le bon type d'emballage sont essentiels pour maintenir la qualité

du produit et éviter les brûlures de congélation.

1. Placez les aliments dans l'emballage.
2. Pressez pour chasser l'air.
3. Fermez hermétiquement l'emballage afin que les aliments ne perdent pas leur saveur ou ne se dessèchent pas.
4. Indiquez sur l'emballage le contenu et la date de congélation.

16.3 Méthodes de décongélation pour aliments congelés

MISE EN GARDE

Lors de la décongélation, les bactéries peuvent se multiplier et les aliments congelés peuvent s'abîmer.

- ▶ Ne remettez pas à congeler des produits alimentaires partiellement ou entièrement décongelés.
- ▶ Ne recongelez les aliments qu'après avoir les avoir fait cuire ou rôti.
- ▶ N'utilisez plus la durée de conservation dans son intégralité.
- Décongelez les aliments d'origine animale dans le compartiment réfrigération, par exemple le poisson, la viande, le fromage et le lait caillé.
- Décongelez le pain à température ambiante.
- Préparez les aliments au micro-ondes, au four ou sur la table de cuisson pour une consommation immédiate.

17 Compartiment à température variable

Utilisez le compartiment à température variable comme réfrigérateur et stockez les aliments via des réglages de stockage prédéfinis. Ou utilisez le compartiment à température variable comme congélateur et congelez les aliments en douceur à des températures plus basses. La température peut être réglée de 0°F (-18°C) à 39°F (4°C) grâce à des réglages de palier prédéfinis.

17.1 Recommandations de conservation dans le compartiment à température variable

Découvrez ici quel réglage de palier vous pouvez utiliser dans le compartiment à température variable.

| Réglage de stockage | Aliments |
|---------------------------|--|
| ❄ Congélateur | Voir Congélateur → <i>Page 78</i> |
| 🍷 Gel doux | Congélation facile, par exemple de la viande, de la charcuterie et du poisson, ainsi que des aliments en purée |
| 🧊 Frigo | Voir Réfrigérateur → <i>Page 77</i> |
| 🍹 Boisson | Boissons |
| 🐟 Poisson/viande | Viande et poisson |
| 🧀 Charcuterie/ Fromage | Épicerie fine, fromage et produits laitiers |

| Réglage de stockage | Aliments |
|---------------------|------------------------|
| 🍰 Pâtisserie | Gâteaux et pâtisseries |

18 Système hydraulique

Votre appareil est doté de composants contenant de l'eau. Le système hydraulique fonctionne uniquement si un filtre à eau ou un capuchon bypass est installé. Désactivez la production de glaçons avant de débrancher l'appareil du raccord d'eau potable. → *Page 84*

18.1 Filtre à eau

Le filtre à eau filtre les particules et le goût de chlore de l'eau. Le filtre à eau réduit d'autres impuretés, par exemple les chloramines, le plomb et les produits pharmaceutiques.

Remarque : Le filtre à eau ne filtre pas les bactéries ou microbes.

Changez le filtre à eau :

- tous les 6 mois.
- lorsque 🕒 "Le filtre a expiré." s'allume.
- lorsque le débit d'eau est visiblement réduit.
- lorsque la production de glaçons est visiblement réduite.

Conseils

- Pour un filtre à eau neuf, adressez-vous à notre service après-vente, à votre revendeur ou consultez notre site Web.
- Si vous ne souhaitez pas utiliser de filtre à eau dans votre appareil ou faire installer un système de filtre à eau externe, vous pouvez remplacer le filtre à eau de façon

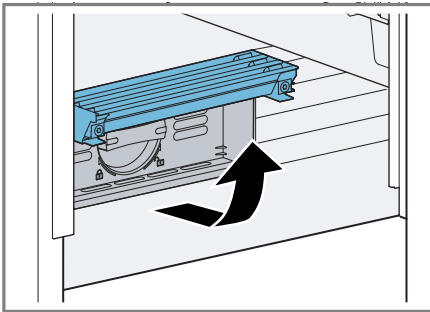
permanente par un capuchon bypass.

Le capuchon bypass filtre uniquement les particules grossières de l'eau et peut être nettoyé si nécessaire.

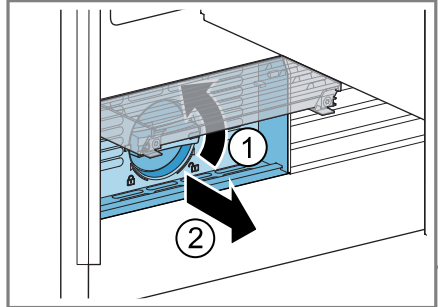
Pour un capuchon bypass, adressez-vous à notre service après-vente ou consultez notre site Web.

Changer le filtre à eau ou le remplacer par un capuchon bypass

1. Ouvrir le couvercle du filtre vers le haut.

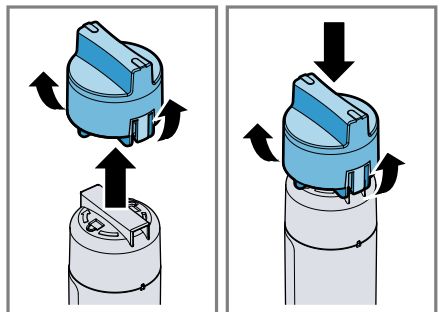


2. Tournez le filtre à eau de 90° dans le sens inverse des aiguilles d'une montre ① et retirez ②.
 - Retirez le filtre à eau avec précaution car il peut se trouver sous pression.



Conseil : Vous pouvez jeter le filtre à eau usé avec les ordures ménagères.

3. Retirez le capuchon du filtre à eau utilisé puis placez-le sur le nouveau filtre à eau ou sur un capuchon bypass.



4. Poussez le nouveau filtre à eau ou le capuchon bypass jusqu'en butée dans l'ouverture du filtre, puis faites-le pivoter à 90° dans le sens horaire jusqu'en butée.
5. Fermer le couvercle du filtre.
6. Jetez tous les glaçons produits au cours des premières 24 heures, prélevez de l'eau pendant 5 minutes et jetez-la.

18.2 Distributeur d'eau

Prélevez de l'eau froide du distributeur d'eau.

Mettre en service le distributeur d'eau

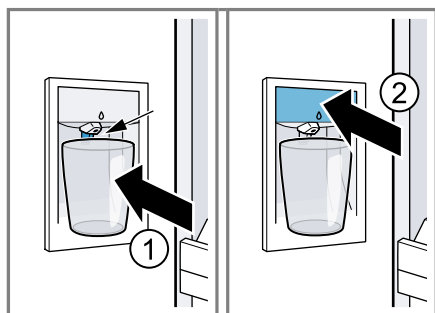
Remarque : Le système hydraulique d'un appareil nouvellement branché, ou pourvu d'un filtre à eau neuf, contient de l'air.

Exigence : L'appareil est raccordé à l'eau potable.

1. Faites couler l'eau jusqu'à ce qu'elle ne contienne plus de bulles d'air.
Essuyez les éclaboussures d'eau avec un essuie-tout sec.
2. Pour des raisons d'hygiène, prélevez et jetez l'eau produite pendant 5 minutes.

Prélever de l'eau

- ▶ Appuyez le verre contre le bouton de retrait ① ou placez le verre sous le distributeur d'eau et appuyez sur Ô②.



Remarques

- Après un certain temps de prélèvement continu, le distributeur d'eau et de glace s'arrête. Patientez quelques secondes avant de prélever à nouveau de l'eau.
- Après quelques cycles de prélèvement consécutifs, le

distributeur d'eau et de glace s'arrête. Patientez quelques minutes avant de prélever à nouveau de l'eau.

Verrouillage des touches du distributeur d'eau

Le verrouillage des touches empêche toute utilisation involontaire ou incorrecte du distributeur d'eau.

Activer le verrouillage des touches du distributeur d'eau

1. Accédez au Water en balayant.
 2. Maintenez Hold to unlock enfoncé jusqu'à ce que le bandeau lumineux s'allume entièrement.
- ✓ Lock icon s'allume.

Désactiver le verrouillage des touches du distributeur d'eau

1. Accédez au Water en balayant.
 2. Maintenez Lock Water enfoncé jusqu'à ce que le bandeau lumineux s'allume entièrement.
- ✓ Les favoris du volume de remplissage d'eau s'allument.

Volume de remplissage d'eau

Votre appareil est équipé en usine de 4 volumes de remplissage d'eau qui sont enregistrés comme favoris à l'affichage.



Les volumes de remplissage d'eau prédéfinis peuvent être adaptés ou supprimés.

Retirer un favori




1. Accédez au Water en balayant.
2. Appuyez sur le favori souhaité.
3. Placez un verre sous le distributeur d'eau et appuyez sur Ô jusqu'à ce que le volume de remplissage d'eau soit entièrement prélevé.

Enregistrer de nouveaux favoris


Remarque : Vous pouvez enregistrer au maximum 6 volumes de remplissage d'eau.

1. Accédez au Water en balayant.
 2. Placez un verre sous le distributeur d'eau et appuyez sur  jusqu'à ce que le volume de remplissage d'eau souhaité soit entièrement prélevé.
 3. Appuyez sur Save as Favourite.
 4. Appuyez sur le nom souhaité.
 5. Appuyez sur la couleur souhaitée.
 6. Appuyez sur .
- ✓ Le nouveau favoris est enregistré.

Adapter un favori

1. Accédez au Water en balayant.
 2. Appuyez sur le favori souhaité.
 3. Appuyez sur .
 4. Appuyez sur le nom souhaité et confirmez avec .
 5. Appuyez sur la couleur souhaitée et confirmez avec .
- ✓ Le favori est adapté.

Supprimer un favori

1. Accédez au Water en balayant.
 2. Appuyez sur le favori souhaité.
 3. Appuyez sur .
 4. Appuyez sur Delete favourite et confirmez avec Yes, delete.
- ✓ Le favori est supprimé.



18.3 Distributeur de glaçons


Utilisez les différentes fonctions du distributeur de glaçons pour produire des glaçons.


AVERTISSEMENT

Les pièces rotatives peuvent provoquer des blessures.

- ▶ Ne passez jamais la main sous ou dans le distributeur de glaçons.

| | |
|--|--|
|  Glace | Production de glaçons |
|  Glace rapide | Accélération de la production de glaçons |

Remarque :
 "Glace rapide" est uniquement disponible lorsque la production de glaçons est activée.

Remarque : Le distributeur de glaçons détecte automatiquement que la réserve à glaçons est pleine et arrête la production de glaçons. L'écran indique .

Le remplissage de la réserve à glaçons peut prendre jusqu'à 48 heures.

Conseil : Si les glaçons ont un goût désagréable, jetez les glaçons restants et la production de glaçons des 24 heures suivantes. Si les glaçons continuent à avoir mauvais goût par la suite, changez le filtre à eau.

Mettre en service le distributeur de glaçons

Remarques

- La production de glaçons démarre dès que l'appareil est allumé et que le compartiment congélation a atteint la température réglée.
- Les premiers glaçons sont prêts environ 4 heures après que le compartiment congélation ait atteint la température réglée.

Exigence : L'appareil est raccordé à l'eau potable.

- ▶ Pour des raisons d'hygiène, jetez tous les glaçons produits pendant les 24 premières heures.

Lancer la production de glaçons

1. Appuyez sur le réglage du distributeur de glaçons et confirmez avec **ooo**.
2. Lancez la production de glaçons souhaitée.

Arrêter la production de glaçons

1. Appuyez sur le réglage du distributeur de glaçons et confirmez avec **ooo**.
2. Arrêtez la production de glaçons souhaitée.

19 Dégivrer

19.1 Dégivrer le compartiment réfrigération

Le compartiment réfrigération de votre appareil se dégèle automatiquement.

19.2 Dégivrage dans le compartiment froid

Le compartiment froid de votre appareil se dégivre automatiquement.

19.3 Dégivrer le compartiment congélation

Grâce au système « NoFrost » entièrement automatique, le compartiment congélation ne se couvre pas de givre. Aucun dégivrage n'est nécessaire. Aucun dégivrage n'est nécessaire.

19.4 Décongeler dans le compartiment à température variable

Le compartiment à température variable de votre appareil décongèle automatiquement.

20 Nettoyage et entretien

Remarque : La déclaration de garantie limitée du produit couvre les défauts de matériaux et de fabrication. Le nettoyage et l'entretien ne sont pas couverts par la garantie et sont payants. Pour plus de détails, voir la déclaration de garantie limitée du produit.

20.1 Consignes d'entretien pour les surfaces en inox

Pour l'entretien et le nettoyage des surfaces en inox, utilisez uniquement des produits de nettoyage et des chiffons adaptés à l'acier inoxydable.

Conseils

- Pour éviter les rayures visibles, essuyez la surface en inox dans le sens de sa structure.
- Vous pouvez vous procurer des produits de nettoyage et des chiffons appropriés auprès de notre Service après-vente, de votre revendeur ou sur notre site Web.

20.2 Préparer l'appareil pour le nettoyage

1. Éteindre l'appareil.
2. Débranchez l'appareil du réseau électrique.
Retirez la fiche du cordon d'alimentation secteur ou désactivez le fusible dans la boîte à fusibles.
3. Retirez tous les aliments de l'appareil et rangez-les dans un endroit frais.
Si possible, placez des accumulateurs de froid sur les aliments.
4. Retirez toutes les pièces d'équipement et les accessoires de l'appareil. → *Page 85*

20.3 Nettoyer l'appareil

⚠ AVERTISSEMENT

L'humidité qui pénètre peut occasionner une électrocution.

- ▶ N'utilisez pas de nettoyeur haute pression ou de nettoyeur à vapeur pour nettoyer l'appareil.
- ▶ N'utilisez pas l'appareil avec les mains humides.

AVIS

Des produits de nettoyage inappropriés risquent d'endommager la surface de l'appareil.

- ▶ Ne pas utiliser de tampon abrasif ni d'éponge en laine d'acier.
- ▶ Ne pas utiliser de produits nettoyeurs abrasifs ou agressifs.
- ▶ N'utilisez pas de produits de nettoyage fortement alcoolisés,

Si vous nettoyez les pièces d'équipement et les accessoires au lave-vaisselle, ceux-ci risquent de se déformer ou de déteindre.

- ▶ Ne nettoyez jamais les équipements et accessoires au lave-vaisselle.
1. Préparez l'appareil pour le nettoyage. → *Page 84*
 2. Nettoyez l'appareil, les pièces d'équipement, les accessoires et les joints de porte avec une lavette, de l'eau tiède et du produit à vaisselle présentant un pH neutre.
 3. Séchez ensuite minutieusement avec un chiffon doux et sec.
 4. Insérez les pièces d'équipement.
 5. Raccordez l'appareil électriquement. → *Page 12*
 6. Mettez l'appareil sous tension.
 7. Rangez les aliments.

20.4 Nettoyer la caméra

Si la température ou l'humidité change, l'objectif de la caméra peut s'embuer.

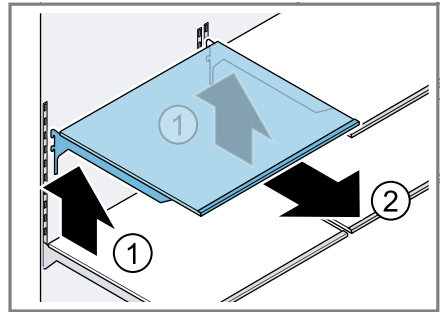
1. Nettoyez la caméra à l'aide d'un chiffon en microfibres.
2. Nettoyez l'objectif de la caméra à l'aide d'un chiffon en microfibre et d'un produit hydrophobe du commerce.

20.5 Retirer les pièces d'équipement

Si vous souhaitez nettoyer soigneusement les pièces d'équipement, retirez celles-ci de votre appareil.

Retirer la clayette

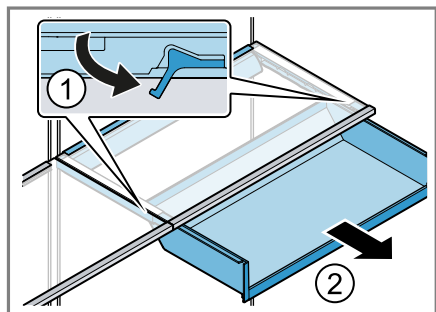
- ▶ Soulevez la clayette ① et retirez-la ②.



Retirer le bac à snacks

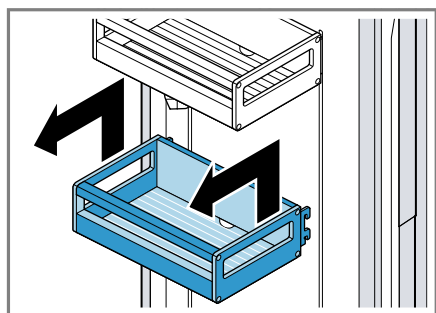
1. Extraire le bac à snacks jusqu'en butée.
2. Sous le bac à snacks, appuyer de chaque côté sur la sécurité des

glissières vers le bas ① et retirer le bac à snacks ②.



Retirer le compartiment de contre-porte

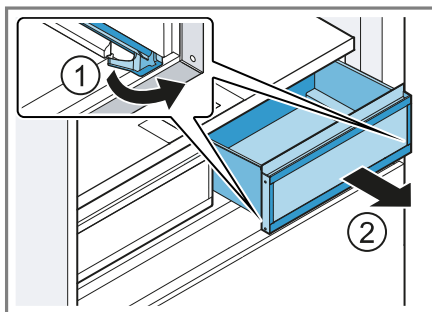
- Soulevez le compartiment dans la contre-porte vers le haut et retirez-le.



Retirer le bac de rangement à froid

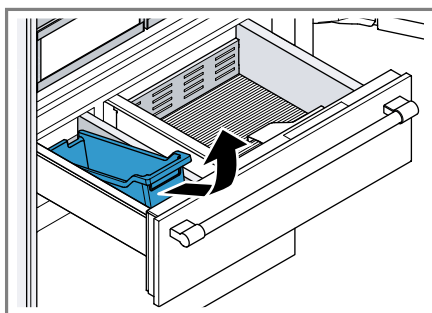
1. Tirez le bac de rangement à froid jusqu'en butée.
2. Sous le bac de rangement à froid, appuyez des deux côtés sur la sécurité des rails télescopiques de l'intérieur vers l'extérieur ① et

retirez le bac de rangement à froid ②.



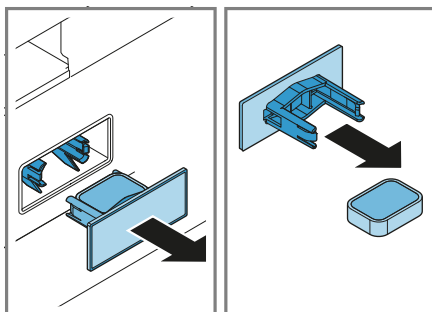
Retirer la réserve à glaçons

- Retirez la réserve à glaçons par le haut.



20.6 Remplacer le filtre anti-odeurs

1. Retirer le support du filtre anti-odeurs.
2. Retirer le filtre anti-odeurs usagé de son support et le remplacer par le nouveau filtre anti-odeurs.



Remarque : Pour un filtre anti-odeurs neuf, adressez-vous à notre service

après-vente ou consultez notre site Web.



21 Dépannage


Vous pouvez éliminer vous-même les défauts mineurs de votre appareil. Veuillez lire les informations de dépannage avant de contacter le service à la clientèle. Cela peut éviter des frais de réparation inutiles.

⚠ AVERTISSEMENT

Pour éviter tout risque de blessure dû à des réparations incorrectes, respectez les points suivants.

- ▶ Seuls des techniciens qualifiés ou des prestataires de services agréés peuvent effectuer des réparations.
- ▶ Seules des pièces de rechange d'origine peuvent être utilisées pour réparer l'appareil.
- ▶ Afin d'écartier tout danger, quand le cordon d'alimentation de cet appareil est endommagé, seul le fabricant, son service à la clientèle ou toute autre personne de qualification équivalente est habilité à le faire.


| Défaut | Cause et dépannage |
|--|---|
| L'appareil ne réfrigère pas, les affichages et l'éclairage sont allumés. | L'appareil se trouve sur le mode Exposition. <ol style="list-style-type: none"> 1. Accédez au "Service" en balayant. 2. Appuyez sur "Service avancé". 3. Appuyez sur "Mode Démo" . |
| L'éclairage par LED ne fonctionne pas. | Ce problème peut avoir de nombreuses causes. <ul style="list-style-type: none"> ▶ Appelez le service après-vente. → "Service à la clientèle", Page 93 |
| Le groupe frigorifique s'enclenche plus souvent et plus longtemps. | L'appareil a été ouvert fréquemment. <ul style="list-style-type: none"> ▶ N'ouvrez pas la porte de l'appareil inutilement. Les orifices de ventilation extérieurs sont recouverts. <ul style="list-style-type: none"> ▶ Retirez les obstacles situés devant les orifices de ventilation extérieurs. |
| | Il ne s'agit pas d'un défaut. Les appareils frigorifiques modernes se mettent en marche plus souvent et ont différents niveaux de puissance afin de refroidir plus efficacement. |
| |  <ul style="list-style-type: none"> ▶ Retirez les obstacles situés devant les orifices de ventilation extérieurs. |

| Défaut | Cause et dépannage |
|--|--|
| Le groupe frigorifique s'enclenche plus souvent et plus longtemps. | <ul style="list-style-type: none"> ▶ Installez l'appareil aussi loin que possible des radiateurs, des cuisinières et des autres sources de chaleur. Évitez toute exposition prolongée de l'appareil aux rayons directs du soleil. ▶ N'ouvrez la porte de l'appareil que le temps nécessaire. ▶ Laissez d'abord les boissons et aliments chauds refroidir avant de les ranger. |
| Une couche de givre se forme sur la paroi arrière du compartiment réfrigération. | <p>Il ne s'agit pas d'un défaut. Les appareils frigorifiques modernes assurent une température uniforme dans le compartiment réfrigération. La paroi arrière du compartiment réfrigération est régulièrement décongelée automatiquement.</p>  <ul style="list-style-type: none"> ▶ N'ouvrez la porte de l'appareil que le temps nécessaire. ▶ Emballez les aliments hermétiquement ou couvrez-les. ▶ Laissez d'abord les boissons et aliments chauds refroidir avant de les ranger. ▶ Laissez toujours un peu d'espace entre les aliments et les parois intérieures. |
| Home Connect® ne fonctionne pas correctement. | <p>Ce problème peut avoir de nombreuses causes.</p> <ul style="list-style-type: none"> ▶ Rendez-vous sur www.home-connect.com. |
| Les caméras ne prennent pas de photo. | <p>Les caméras ne sont pas activées dans Home Connect.</p> <ul style="list-style-type: none"> ▶ Activez les caméras. <p>Les caméras ne sont pas étalonnées.</p> <ol style="list-style-type: none"> 1. Éteignez l'appareil. 2. Débranchez l'appareil du secteur. Retirez la fiche du cordon d'alimentation secteur ou désactivez le fusible dans le boîtier à fusibles. 3. Raccordez à nouveau l'appareil après 5 minutes. 4. Allumez l'appareil à l'aide de l'interrupteur principal. <p>→ "Appareil", Fig. 1 11 Page 60</p> <ol style="list-style-type: none"> 5. Fermez les portes de l'appareil, patientez 3 minutes. 6. Si le dysfonctionnement persiste, appelez le Service après-vente. → Page 93 |

| Défaut | Cause et dépannage |
|--|--|
| Les caméras prennent des photos floues. | <p>La porte de l'appareil a été fermée trop rapidement.</p> <ul style="list-style-type: none"> ▶ Fermez la porte de l'appareil lentement. <hr/> <p>L'objectif de la caméra est embué. La porte de l'appareil a été ouverte trop longtemps.</p> <ol style="list-style-type: none"> 1. Nettoyez les caméras. → <i>Page 85</i> 2. Ne laissez pas la porte de l'appareil ouverte trop longtemps. <hr/> <p>Le film antibuée est endommagé.</p> <ul style="list-style-type: none"> ▶ Appelez le service après-vente. <p>→ <i>"Service à la clientèle", Page 93</i></p> |
| Il manque des photos, elles ne sont pas cadrées ou affichent un mauvais angle. | <p>Les caméras ne sont pas étalonnées.</p> <ol style="list-style-type: none"> 1. Éteignez l'appareil. 2. Débranchez l'appareil du secteur. <p>Retirez la fiche du cordon d'alimentation secteur ou désactivez le fusible dans le boîtier à fusibles.</p> <ol style="list-style-type: none"> 3. Raccordez à nouveau l'appareil après 5 minutes. 4. Allumez l'appareil à l'aide de l'interrupteur principal. <p>→ <i>"Appareil", Fig. 1/11 Page 60</i></p> <ol style="list-style-type: none"> 5. Fermez les portes de l'appareil, patientez 3 minutes. 6. Si le dysfonctionnement persiste, appelez le Service après-vente. → <i>Page 93</i> |
| Un message avec "D" ou "E" apparaît sur l'affichage. | <p>L'électronique a détecté un défaut.</p> <ol style="list-style-type: none"> 1. Éteignez l'appareil. 2. Débranchez l'appareil du secteur. <p>Retirez la fiche du cordon d'alimentation secteur ou désactivez le fusible dans le boîtier à fusibles.</p> <ol style="list-style-type: none"> 3. Raccordez à nouveau l'appareil après 5 minutes. 4. Si ce message persiste, contactez le service après-vente. <p>→ <i>"Service à la clientèle", Page 93</i></p> |
| Une alarme sonore retentit et "Alarme de porte" apparaît. L'alarme de porte est activée. | <p>La porte de l'appareil est ouverte.</p> <ul style="list-style-type: none"> ▶ Fermez la porte de l'appareil. |
| Une alarme sonore retentit et "Alarme de température élevée du congélateur" s'allume. L'alarme de température est activée. | <p>Ce problème peut avoir de nombreuses causes.</p> <ol style="list-style-type: none"> 1. Appuyez sur "Oui, voir temp plus élevée" et confirmez avec "OK". ✓ L'alarme s'éteint. 2. Vérifiez après quelques heures si la température réglée dans le compartiment congélation a de nouveau été atteinte. |

| Défaut | Cause et dépannage |
|--|--|
| Une alarme sonore retentit et "Alarme de température élevée du congélateur" s'allume. L'alarme de température est activée. | L'appareil est rempli de grandes quantités de produits alimentaires frais. ▶ Ne dépassez pas la capacité de congélation. |
| La température dévie fortement par rapport au réglage. | Ce problème peut avoir de nombreuses causes. 1. Éteignez l'appareil. 2. Allumez à nouveau l'appareil après env. 5 minutes. ▶ Si la température est trop élevée, vérifiez-la à nouveau au bout de quelques heures. ▶ Si la température est trop basse, vérifiez-la à nouveau le jour suivant. |
| De l'eau fuit de l'appareil. | Le raccord d'eau ou le tuyau d'eau n'est pas étanche. ▶ Assurez-vous que les raccordements d'eau sont bien serrés et que le tuyau d'eau n'est pas endommagé. Si nécessaire, remplacez le tuyau d'eau. |
| La distribution d'eau est réduite. | La pression de l'eau est basse. ▶ Vérifiez la pression d'eau au niveau de l'alimentation en eau ou du système de filtre à eau externe, par exemple, l'installation d'osmose inverse. Raccordez l'appareil uniquement à un raccordement d'eau ayant une pression suffisante. → <i>Page 55</i> |
| De l'eau s'égoutte du distributeur d'eau. | Le filtre à eau est bouché. ▶ Changez le filtre à eau. Le système hydraulique contient de l'air. ▶ Retirez de l'eau jusqu'à ce qu'il n'y ait plus d'air. |
| Le distributeur d'eau ne fonctionne pas. | Aucune alimentation en eau. ▶ Assurez-vous qu'il y a une alimentation en eau et que la vanne d'arrêt sur le raccordement d'eau est ouverte. Contactez un installateur si nécessaire. Le tube d'entrée est plié. ▶ Fermez l'alimentation en eau et redressez le coude du tuyau d'eau. Si nécessaire, remplacez le tuyau d'eau. |
| Les glaçons sont produits en quantité insuffisante. | L'appareil a été raccordé. ▶ Patientez environ 4 heures jusqu'à ce que la première production de glaçons soit prête. |

| Défaut | Cause et dépannage |
|---|--|
| Les glaçons sont produits en quantité insuffisante. | <p>Le compartiment congélation a été ouvert fréquemment ou pendant une longue période.</p> <ul style="list-style-type: none"> ▶ Vérifiez au bout de quelques heures la production de glaçons. <hr/> <p>La pression de l'eau est basse.</p> <ul style="list-style-type: none"> ▶ Vérifiez la pression d'eau au niveau de l'alimentation en eau ou du système de filtre à eau externe, par exemple, l'installation d'osmose inverse. <p>Raccordez l'appareil uniquement à un raccordement d'eau ayant une pression suffisante. → <i>Page 55</i></p> <hr/> <p>Le filtre à eau est bouché.</p> <ul style="list-style-type: none"> ▶ Changez le filtre à eau. <hr/> <p>Des aliments ou des objets bloquent le capteur de niveau du distributeur de glaçons.</p> <ul style="list-style-type: none"> ▶ Enlevez tous les objets ou aliments du bac à glaçons. <hr/> <p>Dysfonctionnement du distributeur de glaçons.</p> <ol style="list-style-type: none"> 1. Éteignez l'appareil. 2. Débranchez l'appareil du secteur. <p>Retirez la fiche du cordon d'alimentation secteur ou désactivez le fusible dans le boîtier à fusibles.</p> <ol style="list-style-type: none"> 3. Raccordez à nouveau l'appareil après 5 minutes. 4. Si le dysfonctionnement persiste, appelez le Service après-vente. → <i>Page 93</i> |
| Le distributeur de glaçons ne fonctionne pas. | <p>La production de glaçons est désactivée.</p> <ul style="list-style-type: none"> ▶ Lancez la production de glaçons. → <i>Page 84</i> <hr/> <p>Aucune alimentation en eau.</p> <ul style="list-style-type: none"> ▶ Assurez-vous qu'il y a une alimentation en eau et que la vanne d'arrêt sur le raccordement d'eau est ouverte. <p>Contactez un installateur si nécessaire.</p> <hr/> <p>Le tube d'entrée est plié.</p> <ul style="list-style-type: none"> ▶ Fermez l'alimentation en eau et redressez le coude du tuyau d'eau. <p>Si nécessaire, remplacez le tuyau d'eau.</p> <hr/> <p>Dysfonctionnement du distributeur de glaçons.</p> <ol style="list-style-type: none"> 1. Éteignez l'appareil. 2. Débranchez l'appareil du secteur. <p>Retirez la fiche du cordon d'alimentation secteur ou désactivez le fusible dans le boîtier à fusibles.</p> <ol style="list-style-type: none"> 3. Raccordez à nouveau l'appareil après 5 minutes. |

| Défaut | Cause et dépannage |
|---|---|
| Le distributeur de glaçons ne fonctionne pas. | 4. Si le dysfonctionnement persiste, appelez le Service après-vente. → <i>Page 93</i> |
| L'appareil vrombit, fait des bulles, des bourdonnements, des cliquetis, des claquements ou des grondements. | Il ne s'agit pas d'un défaut. Un moteur tourne, par ex. groupe frigorifique, ventilateur. Du fluide frigorigène circule dans les tuyaux. Le moteur, les interrupteurs, les électrovannes et les vannes à eau s'allument ou s'éteignent. Le dégivrage automatique est en cours. Les glaçons tombent dans le bac à glaçons. Aucune action nécessaire. |
| L'appareil émet des bruits. | L'appareil ne repose pas d'aplomb. <ul style="list-style-type: none"> ▶ Nivelez l'appareil à l'aide d'un niveau à bulle et des pieds à vis. |
|  | Les pièces d'équipement vacillent ou se coincent. <ul style="list-style-type: none"> ▶ Vérifiez les pièces d'équipement amovibles et remettez-les éventuellement en place correctement. |
| | Des bouteilles ou récipients se touchent. <ul style="list-style-type: none"> ▶ Écartez les récipients ou bouteilles les uns des autres. |
| | La fonction Super-congélation est activée. Aucune action nécessaire. |

21.1 Panne de courant

En cas de panne de courant, la température à l'intérieur de l'appareil augmente, ce qui raccourcit la durée de conservation et réduit la qualité des aliments congelés.

Remarques

- Ouvrez l'appareil le moins possible en cas de panne de courant et ne stockez pas d'autres aliments.
- Vérifiez la qualité des aliments immédiatement après la panne de courant.
 - Jetez les aliments congelés qui sont décongelés et dont la température est supérieure à 41 °F (5 °C).
 - Faites bouillir ou frire des aliments congelés légèrement décongelés et consommez-les ou recongelez-les.

22 Entreposage et mise au rebut

22.1 Mettre l'appareil hors service

1. Éteindre l'appareil.
2. Débranchez l'appareil du réseau électrique.
Retirez la fiche du cordon d'alimentation secteur ou désactivez le fusible dans la boîte à fusibles.
3. Débranchez l'appareil du raccordement à l'eau potable.
4. Retirez tous les aliments.
5. Démontez le filtre à eau.
6. Nettoyez l'appareil. → *Page 85*
7. Afin de garantir la ventilation de l'espace intérieur, laissez l'appareil ouvert.

22.2 Éliminer un appareil usagé

L'élimination dans le respect de l'environnement permet de récupérer de précieuses matières premières.

⚠ AVERTISSEMENT

Les enfants risquent de s'enfermer dans l'appareil et de mettre leur vie en danger.

- ▶ Retirez les portes et les tiroirs de l'appareil.
- ▶ Pour compliquer la pénétration des enfants dans l'appareil, ne retirez pas les clayettes et les bacs.
- ▶ Éloignez les enfants de l'appareil qui a cessé de servir.

⚠ AVERTISSEMENT

En cas d'endommagement des tuyaux, du fluide frigorigène inflammable et des gaz nocifs peuvent s'échapper et s'enflammer.

- ▶ Veillez à ne pas endommager les tubulures du circuit frigorifique, ni l'isolant.
1. Débranchez la fiche du secteur.
 2. Coupez le câble de raccordement secteur.
 3. Retirez les portes et les tiroirs de l'appareil.
 4. Éliminez l'appareil dans le respect de l'environnement.
Pour connaître les circuits d'élimination actuels, veuillez vous adresser à votre revendeur ou à votre administration municipale.

23 Service à la clientèle

Lors de toute réparation réalisée dans le cadre de la garantie, nous nous assurons que votre appareil est réparé avec des pièces de rechange d'origine par un technicien dûment

formé et agréé. Nous utilisons exclusivement des pièces de rechange d'origine lors des réparations.

Vous pouvez obtenir auprès de notre service après-vente des pièces détachées d'origine relatives au fonctionnement de l'appareil et pouvant être stockées jusqu'à 15 ans après la commercialisation de votre appareil.

Veillez contacter notre service clientèle pour obtenir d'autres informations à ce sujet.

Pour plus d'informations sur la durée et les conditions de la garantie dans votre pays, consultez nos modalités de garantie auprès de votre détaillant ou sur notre site Web.

USA:

1-800-735-4328

www.thermador.com/support

www.thermador.com/us/accessories

CA:

1-800-735-4328

www.thermador.ca

www.thermador.ca/fr/soutien/filtres-nettoyants-accessoires

Résidents du Québec :

Vous trouverez des renseignements sur la disponibilité des pièces de rechange, des services de réparation et des renseignements nécessaires à l'entretien ou à la réparation de l'appareil à l'adresse suivante :
www.thermador.ca/fr/service/residents-du-qc



Thermador ★

4

Vous trouverez également de l'aide pour contacter Home Connect® à l'adresse suivante :
www.home-connect.com/us/en/help-support/set-up

23.1 Numéro de modèle (E-Nr.), numéro de fabrication (FD) et numéro de comptage (Z-Nr.)

Si vous contactez le service à la clientèle, indiquez le numéro de modèle (E-Nr.) le numéro de fabrication (FD) et le numéro de série (Z-Nr.) indiqués sur la plaque signalétique de l'appareil.

→ "Appareil", Fig. **1**/14 Page 60

Pour retrouver rapidement les données de votre appareil et le numéro de téléphone du service à la clientèle, n'hésitez pas à les recopier ailleurs.

24 Données techniques

La plaque signalétique mentionne le fluide frigorigène, le volume net ainsi que d'autres données techniques.

→ "Appareil", Fig. **1**/14 Page 60

24.1 Informations sur le logiciel libre

Ce produit contient des composants logiciels dont la licence est accordée par les détenteurs des droits d'auteur en tant que logiciels libres ou open source.

Les informations de licence correspondantes sont énoncées sur l'électroménager. Il est également possible d'accéder aux informations de licence via l'application

Home Connect®; « Profil -> Consignes légales -> Informations de licence ». ¹ Vous pouvez également télécharger les informations de licence sur le site Web du produit de marque. (Veuillez rechercher votre modèle d'appareil et la documentation connexe sur le site Web du produit.) Vous pouvez également demander les informations nécessaires par courriel à l'adresse ossrequest@bshg.com ou par courrier à l'adresse BSH Hausgeräte GmbH, Carl-Wery-Str. 34, D-81739 München.

Le code source concerné sera mis à votre disposition sur demande.

Veuillez envoyer votre demande par courriel à l'adresse ossrequest@bshg.com ou par courrier à l'adresse BSH Hausgeräte GmbH, Carl-Wery-Str. 34, D-81739 München.

Objet : „OSSREQUEST“

Les coûts de traitement de votre demande vous seront facturés. Cette offre est valide pour une durée de trois ans à compter de la date d'achat ou du moins pour la période durant laquelle nous offrons la prise en charge et des pièces de rechange pour l'appareil correspondant.

¹ selon l'équipement de l'appareil

Recursos y ayuda en línea en español

Muchos manuales están disponibles en línea en inglés, francés y español. Para acceder a manuales de modelos específicos y otros documentos en español:

1. Visite www.thermador.com/us/support/owner-manuals o escanee el código QR.



2. Introduzca el número de producto (E-Nr.) que encontrará en la placa de características del aparato.

3. Seleccione o descargue el manual o documento que desee.

Thermador[®] ★

Exclusive Insider Information



[Thermador.com/us/support/quicklinks](https://thermador.com/us/support/quicklinks)



Owner Manuals

Download owner manuals, specifications and CADs.



How-To Videos

View instructional videos for changing water filters, cleaning, adjusting settings, and beyond.



FAQs & Cleaning Tips

Browse through cleaning, usage, and troubleshooting tips.



Home Connect[®] Support

Find the answers to all your Home Connect[®] related questions.



Thermador Accessories Store

Purchase filters, cleaners, accessories, and parts.



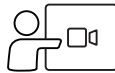
Warranties

View information on Thermador product warranties.



Product Registration

Register your products today to easily manage your appliance information.



Virtual Demo

Schedule a product overview to receive step-by-step guidance on using your appliance.



Virtual Showroom

Take a Virtual Showroom tour to view and interact with our entire collection of appliances.



Newsletter

Get the latest information on product news and events.



Blog

Read about the latest in home design and culinary inspiration.



Recipes

Need inspiration for your next gathering? Browse our vast collection of recipes.

