



## THE LONGBOARD 350LB

PREMIUM HOME IRONING LONG BOARD

INSTRUCTION MANUAL

THE LONGBOARD 350LB  
HOME IRONING BOARD  
INSTRUCTION MANUAL

## RELIABLE. RIGHT THERE WITH YOU.

At Reliable, we do what we love, and take pride in doing it right. You want what's best for the people, places and things that matter in your life - from where you live to what you wear. So do we. From the start, we approach every product with a craftsman's attention to detail and passion for making it right. Quality, functionality, design and customer service play an equally important part in delivering what's right for you. Made in Italy, our ironing tables are engineered and built to exceed your expectations.

For your safety and to fully enjoy the advantages of this product, please take a few minutes to read all the important safeguards and care instructions. Keep this manual handy and review the product warranty for your reference.

THANK YOU FOR YOUR PURCHASE. PLEASE SHARE YOUR RELIABLE PRODUCT EXPERIENCE BY POSTING AN ONLINE REVIEW ON THE WEBSITE FROM WHICH YOU PURCHASED. WE GREATLY APPRECIATE IT!

# CONEX<sup>®</sup> HEAT RESISTANT ZONE



Your new 100% safe iron rest. The Reliable Longboard 350LB is equipped with a Conex<sup>®</sup> heat resistant zone.

Conex<sup>®</sup> allows you to place your iron on the board with no worries, this safe zone is heat resistant up to 700°F and is a flame retardant. Simplify your ironing experience with your Conex<sup>®</sup> Heat resistant zone.



## VERAFOAM TECHNOLOGY

With innovation at the forefront, Reliable has developed and designed the first ironing table and pressing board with our trademarked Verafoam technology.

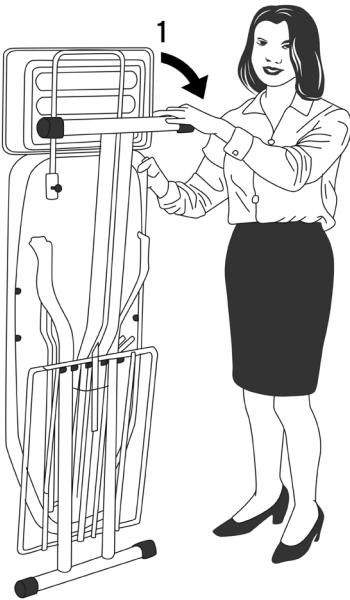
Our in-house product development team introduced a memory foam technology that is breathable, light weight, and keeps your ironing table surface wrinkle free.

# INSTRUCTIONS FOR USE

The Reliable Longboard 350LB is equipped with a quick-grip locking system to keep the board secure when folded. The 350LB is also equipped with an extension for large garments/fabrics and a section of the cover with a special fire-resistant material to rest your iron when the iron rest is out of reach.

## OPENING THE BOARD

To open the board, place it with the iron rest facing upwards. Block the front leg of the ironing board in place on the floor with your foot. Position your right hand on the board at the height of the lever and your left hand on the bottom of the iron rest. Push the lever downwards and at the same time, pull the board to the required height with your other hand (see figure 1). To lower the board, hold the board in both hands and use the lever.

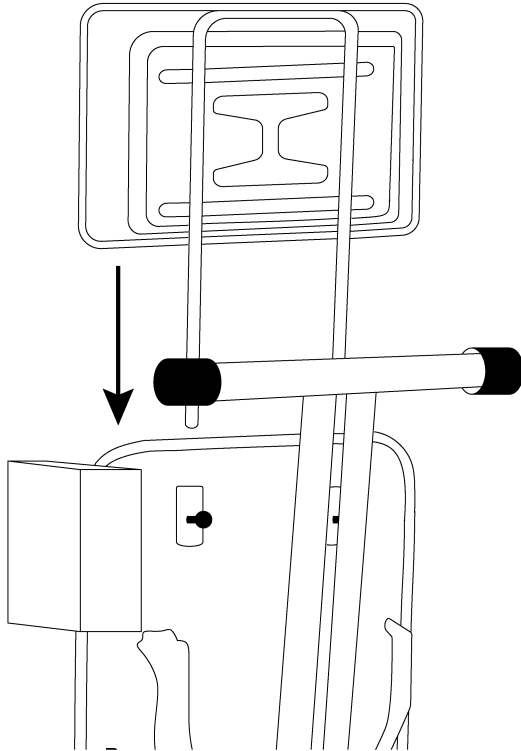


**FOR YOUR SAFETY  
DO NOT OPEN THE IRONING  
BOARD AS PICTURED HERE:**



## REMOVABLE IRON REST

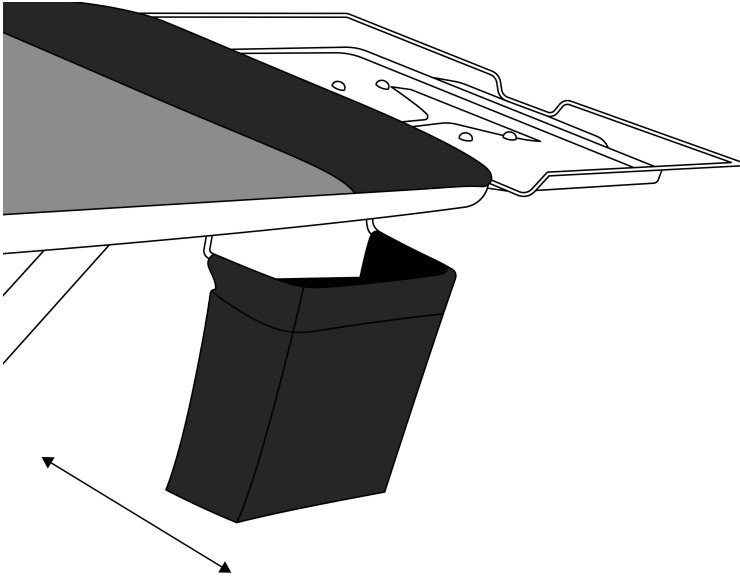
The Reliable Longboard 350LB is equipped with a removable iron rest. To install, align the iron rest to the back of the ironing board from the underside, and insert the iron rest rails into the slots. Tighten the thumb screws to secure the iron rest.



## RETRACTABLE STORAGE

The Reliable 350LB also features a retractable storage bag for your supplies and accessories. Simply slide the drawer in and out.

**NOTE:** For safety, do not put any hot items into the retractable storage.



## CLOSING THE BOARD

DO NOT CLOSE THE IRONING BOARD BEFORE REMOVING THE IRON OR IRONING SYSTEM FROM THE IRON REST.

When cold, put the ironing board in its upright position with the iron rest upwards. Press the lever and in the same time pull the board inwards. Release the lever to activate the quick-grip locking system. The ironing board can now be moved easily and put in a safe place away from children.

## BEFORE IRONING

The ironing board must be placed on a solid and level surface, and the cover must be secure. Place the iron station or steam iron on the iron rest (recommended maximum weight of 5.7kg). Now the ironing board is ready for use. After ironing, wait until the ironing surface has cooled down before folding.

## IMPORTANT SAFETY INSTRUCTIONS

1. The board height regulation pin must never be released when the iron is on the iron rest to avoid the iron falling and/or sudden closure of the board.
2. The ironing board is not intended for use by persons (including children) with reduced physical, sensory or mental capabilities, or lack of experience and knowledge, unless they have been given supervision or instruction concerning use of the appliance by a person responsible for their safety. Children should be supervised to ensure that they do not play with the ironing board.
3. Never insert objects into the apertures in the board.
4. All repairs must be carried out by an authorised service centre only. Repairs performed by unqualified persons are dangerous and invalidate the guarantee. All components of the appliance must be replaced with original spare parts only.
5. The manufacturer is not liable for damage to persons, things or animals deriving from inappropriate or incorrect use of the ironing board.
6. Never expose the ironing board to the elements (rain, sun, etc.)

## ATTACHING THE IRONING BOARD COVER

1. Lay the ironing board cover over the frame of the pressing surface.
2. Stretch the cover over the corners, sides, and tip of the ironing board ensuring that the cover is fully wrapped over the pressing surface.
3. Pull the strings at the tip of the cover downwards to secure the cover tightly in place. Ensure that you are using enough force on the strings to remove any surface wrinkles.
4. Pull the clips under the pressing table and secure them to the opposite side of the cover (350LB extension cover only).
5. Firmly pull on the strings once more to remove any remaining wrinkles and ensure the cover is tightly in place.

## WASHING YOUR IRONING BOARD COVER

Wash on a delicate cycle and hang to dry. If you do not have a delicate setting on your machine, use a short wash cycle with cold water or wash by hand with gentle soap. Rinse thoroughly. Hang straight or lay flat to dry.

## USING THE IRONING REST

1. For iron stations, place the base of the iron station on the removable iron rest.
2. For home irons, fold both the metal plates inward on a 45° angle. This will allow the iron to sit within the iron rest on the silicone knobs.
3. There are four silicone knobs on the iron rest. Silicone is heat resistant and allows you to place the soleplate on the iron rest when in use.
4. Do not exceed the recommended maximum weight of 5.7kg. Do not lean or put extra weight on the iron rest.

## **RELIABLE CORPORATION 10-YEAR PRODUCT WARRANTY POLICY FOR IRONING BOARDS (MODELS 120IB, 220IB, 320LB, 350LB)**

Reliable Corporation (“Reliable”) warrants to the original purchaser of the ironing board models noted above from Reliable (the “Reliable Ironing Board”) that it will be free from defects in materials and workmanship when utilized for normal household use by the original purchaser only. This warranty is void if the purchaser fails to remove the pad/cover set after use of the Reliable Ironing Board. The Warranty does not apply to any pad/cover set purchased with the Reliable Ironing Board.

Subject to the conditions and limitations set forth herein, Reliable will either repair or replace any part of a Reliable Ironing Board that proves defective by reason of improper workmanship or materials. If the defective Reliable Ironing Board is no longer available and cannot be repaired effectively or replaced with an identical model, Reliable shall replace the defective Reliable Ironing Board with a current Reliable Ironing Board of equal or greater value. Replacement products will be provided by Reliable on an exchange basis, and will be either new or refurbished to be functionally equivalent to new. If Reliable is unable to replace a Reliable Ironing Board, it will refund the original purchasing price.

This limited warranty does not cover any damage to a Reliable Ironing Board that results from improper installation, accident, abuse, misuse, unreasonable use, natural disaster, abnormal mechanical or environmental conditions or any unauthorized disassembly, repair or modification. This limited warranty does not extend to any indirect, consequential or incidental damages that may be suffered by a user from the use of a Reliable Ironing Board, including without limitation, any liability for third party claims for damage, and is limited to the amount paid by the original purchaser for the Reliable Ironing Board with respect to which this limited warranty protection applies. This limited warranty does not apply with respect to products that have been altered or for products not purchased directly from Reliable or a dealer authorized by Reliable to sell the Reliable Ironing Board.

This limited warranty is the only warranty that applies to the Reliable Ironing Board, supersedes any and all terms that may be contained in any other document or purchase order and may not be altered or amended except expressly in writing by Reliable.

To obtain a repair or replacement under the terms of this warranty, please contact our customer service group at 1 800 268 1649 or at [support@reliablecorporation.com](mailto:support@reliablecorporation.com). You will be required to submit an original receipt via fax or e-mail. The receipt must reflect that you are the original purchaser, the product was bought directly from Reliable or from an authorized Reliable dealer and that the warranty claim is being made in compliance with the terms set out in this document or any subsequent document issued by Reliable in connection with this policy. You will be issued a return authorization number (RA#) and asked to ship the defective product together with proof of purchase and RA#, prepaid insured to the following address: Reliable Corporation, 5-100 Wingold Ave, Toronto, ON M6B 4K7. Freight collect shipments will be refused. The risk of loss or damage in transit will be borne by the customer. Once Reliable receives the defective product, it will initiate the repair or replacement process.

If you have any questions regarding this warranty, you may write to:

Reliable Corporation  
100 Wingold Avenue, Unit 5  
Toronto, Ontario  
Canada M6B 4K7  
[www.reliablecorporation.com](http://www.reliablecorporation.com)



DID YOU KNOW?

---

**We supply thousands of dry  
cleaners and major  
department store alteration  
shops with ironing stations  
and ironing tables.**



**RELIABLE**

1 800 268 1649

[www.reliablecorporation.com](http://www.reliablecorporation.com)