



Texan Electric Grill Knob Control

SPECIFICATIONS

Single Lid Models:	B70416 (240V) B70416NH (240V) B70464 (208V) B70464NH (208V, no mounting holes)
Split Lid Models:	B70415 (240V) B70415NH (240V)
Cooking Area:	310square inches (Two 14.75"x10.625"grates)
Burners:	2
Voltage:	208V, 240V
Amps:	12.5
Wattage:	3000
Control Type:	Knob Control
Dimensions:	29.5"W x 21"D
Cutout Dimensions:	28" W x 18.5"D
Actual Weight:	42LBS



The Texan Electric Grill is a double burner, built-in grill featuring two 1500-watt elements. This powerful electric grill offers safe alternatives for locations where gas and charcoal grills are prohibited, such as apartments, backyards, and various other settings. The Texan can exceed temperatures of 550°F and operates virtually smokeless, eliminating any chance of flare-ups. Constructed from marine-grade stainless steel, this grill is an ideal choice for balconies and rooftops nationwide.

FEATURES

- Preheats in 7 minutes.
- Infuse grilled food with flavor by adding a variety of liquids to the drip trays.
- Marine-grade 304 stainless steel is passivated to be weather-resistant and rust-proof.
- Patented concealed electric elements eliminate flare-ups.
- No hot or cold zones due to direct contact between the element and the cooking grate.
- Features an independent, waterproof digital touch control panel.
- Non-stick grates impart characteristic barbecue grill marks and are dishwasher safe.

ACCESSORIES



GRIDDLE -B96000

A direct replacement for the cooking grate. Use the smooth griddle for eggs and pancakes.



Grill Cover -A70017

Protect your investment with a sunbrella cover specifically designed for the Texan Grill.



Kenyon backs every grill with a 3-year product replacement warranty



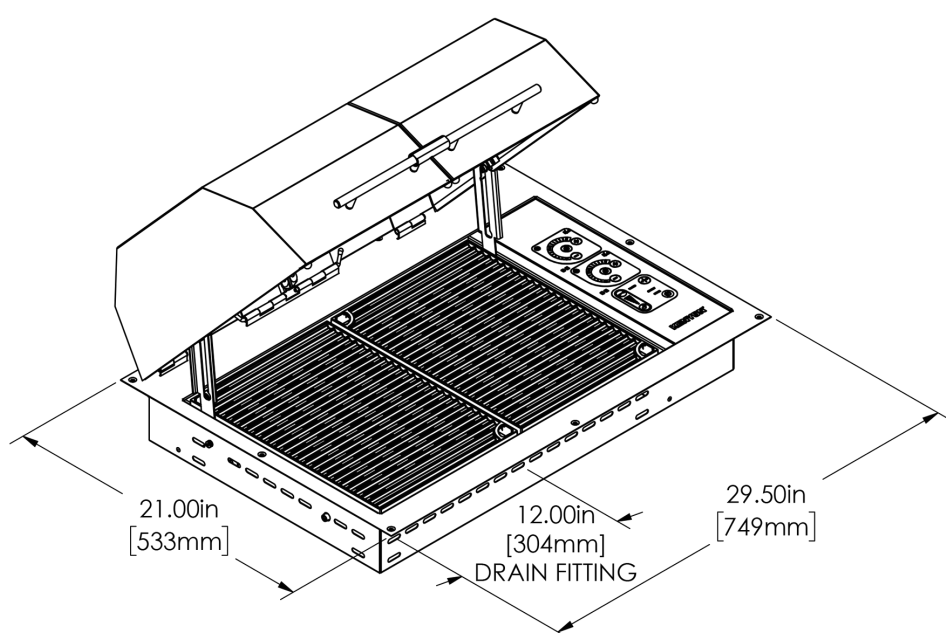
Stainless steel is backed by a lifetime rust-free guarantee



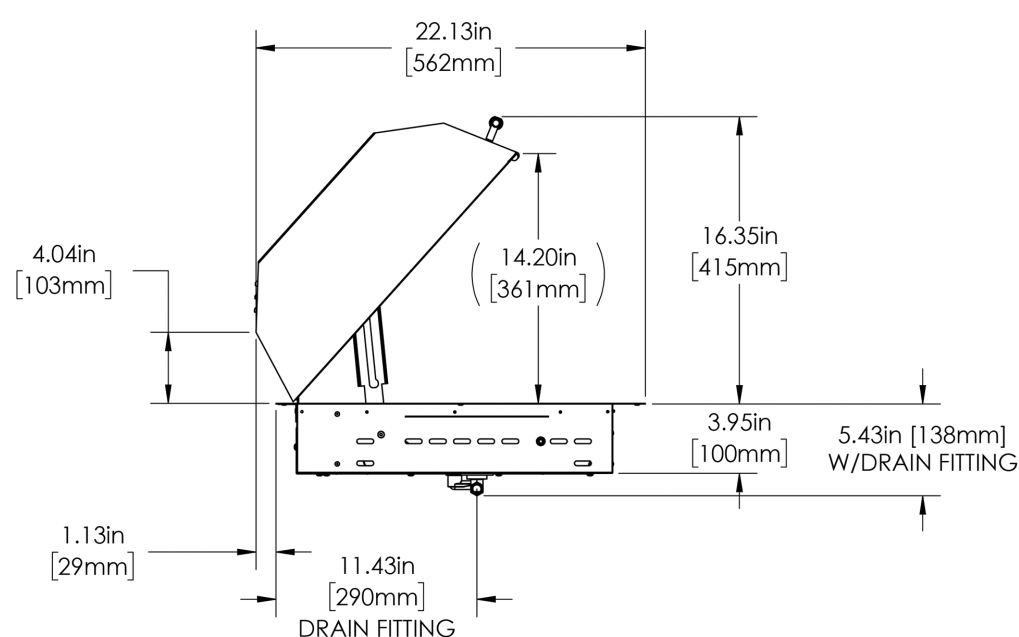
Constructed in the USA



Certified to UL-1026



Dimensions are the same for all Texan Grill models.



KENYON®

WWW.COOKWITHKENYON.COM

Kenyon International, Inc. | P.O. BOX 925 | Clinton, CT USA | (860) 664-4906

c us