



Texan Electric Grill IntelliKEN Touch™

SPECIFICATIONS

Split Lid Models:	B70425 (240V) B70425NH (240V, no mounting holes) B70470(208V) B70470NH (208V, no mounting holes)
Single Lid Models:	B70426 (240V) B70426NH (240V, no mounting holes) B70471 (208V) B70471NH (208V, no mounting holes)
Cooking Area :	310 Square Inches
Burners:	2
Voltage:	208V, 240V
Amps:	13
Output:	(2) Independent 1500 Watt Elements
Control Type:	IntelliKEN Touch™
Overall Dimensions:	29.5" W x 21" D x 5 1/2" H (12 1/2" with lid)
Cutout Dimensions:	28" W x 18 1/2" D
Actual Weight:	42 lbs.



The Texan Grill is a double burner, built-in electric grill. Twice the size of standard Kenyon Grills, the Texan features dual heat control that provides precision cooking with independent controls for each burner. Utilizing two 1500-watt elements, the Texan can exceed temperatures of 550°F and operates virtually smokeless without any chance of flare-ups. Achieve the results you want for any kind of food, from seared steaks to tender grilled vegetables. Waterproof IntelliKEN Touch™ control integrates swipe technology with user-friendly features such as Precision Control (PC) and Direct Temperature Feedback (DTF).

FEATURES

- Patented concealed electric elements eliminate flare-ups.
- No hot or cold zones due to direct contact between the element and the cooking grate.
- Features an independent waterproof digital touch control panel.
- Non-stick grates impart characteristic barbecue grill marks and are dishwasher safe.
- Automatic shut-off at 60 or 90 minutes, depending on the heat setting.
- Select from 16 different heat settings for the perfect temperature every time.
- Precision Control allows users to select the power setting (1-16) or temperature (150°F - 550°F).
- Switch from Fahrenheit to Celsius with a simple push of a button.
- Keep track of kitchen tasks independent of cooking activity on the grill with the kitchen timer.

ACCESSORIES



GRIDDLE -B96000

A direct replacement for the cooking grate. Use the smooth griddle for eggs and pancakes.

Grill Cover -A70017

Protect your investment with a sunbrella cover specifically designed for the Texan Grill.



Kenyon backs every grill with a 3-year product replacement warranty



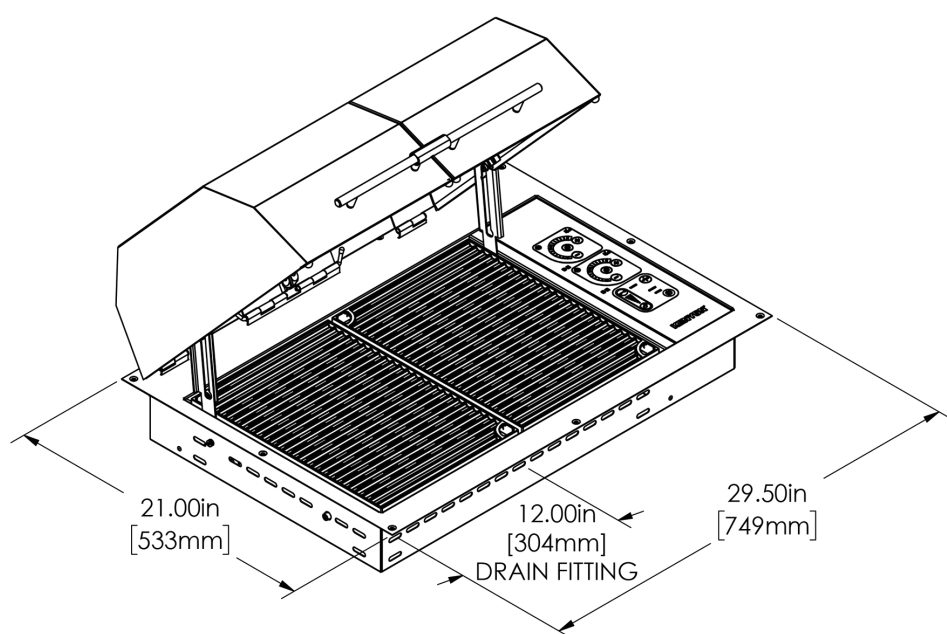
Stainless steel is backed by a lifetime rust-free guarantee



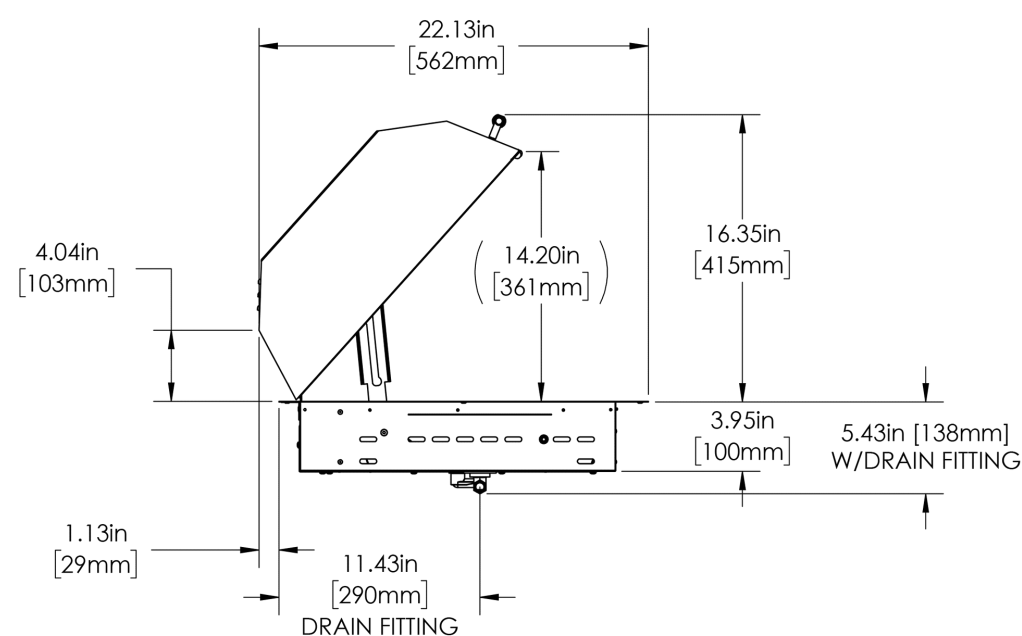
Constructed in the USA



Certified to UL-1026



Dimensions are the same for all Texan Grill models.



KENYON®

WWW.COOKWITHKENYON.COM

Kenyon International, Inc. | P.O. BOX 925 | Clinton, CT USA | (860) 664-4906