

t e x a n



The ever expansive - ever changing possibilities of the Texan grill lend it to large parties or informal gatherings.

Unique styling and the ultimate grilling power.

Made in the USA.

AVAILABLE:



KENYON®

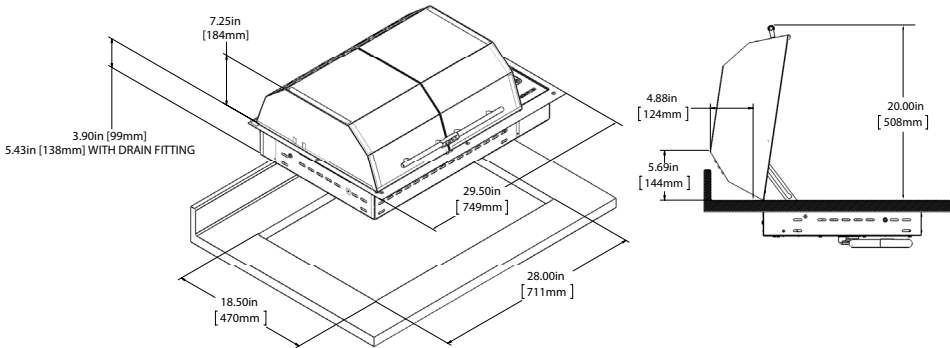
Make any day a weekend



Kenyon International, Inc. building quality specialty cooking appliances since 1931.

t e x a n

Two Burner Grill



Professional style grilling with ease of touch control.

The Texan Electric Grill is the flagship of Kenyon's grills. At twice the size of the standard grills, the Texan has dual heat control to provide precision cooking. The double lined lid can also be split to allow the user to tend to one side without losing the heat on the other.

Utilizing (2) 1500-watt elements, the Texan will exceed temperatures of 600°F and produce no smoke without any chance of flare-ups.

Choose between 2 different touch controls:

New - IntelliKEN Touch™ Control

IntelliKEN is a waterproof touch control system that integrates the latest swipe technology with user-friendly features such as Precision Control (PC) and Direct Temperature Feedback (DTF). Precision Control allows you to select the power setting (1 - 16) best suited for the food being cooked or the temperature you desire (150°F - 550°F). Direct Temperature Feedback (DTF) is our patent pending system giving you the ability to cook by temperature and time. Simply adjust the control to the desired temperature setting, set the timer and your dish is cooked to the correct temperature and time.

Lite-Touch™ Control

Lite-Touch™ is our traditional control. Simply touch the On/Off circle and then raise or lower the heat setting by pressing the (+) or (-) graphic on the sealed moisture proof ceramic glass panel and you are instantly cooking!

The Texan Electric Grill is constructed of the highest quality, marine-grade stainless steel. And as all Kenyon products, backed by uncompromising quality, exclusive 3-year product replacement warranty, and the best customer service in the industry.

Texan Built-in Grill

Model B70425 - with IntelliKEN Touch™ Control

240V AC 50/60Hz - 13 amp. - 3000 watts
Three wire harness

Model B70425NH - No Mounting Holes with IntelliKEN Touch™ Control

240V AC 50/60Hz - 13 amp. - 3000 watts
Three wire harness

Model B70400WH - with Lite-Touch™ Control

240V AC 50/60Hz - 13 amp. - 3000 watts
Three wire harness

Model B70405WH - No Mounting Holes with Lite-Touch™ Control

240V AC 50/60Hz - 13 amp. - 3000 watts
Three wire harness

Overall Dimensions: 29 1/2" x 21" x 5 1/2" (12 1/2" with lid)
749mm x 533mm x 139.7mm (317.5mm with lid)

Cutout Dimensions: 28" x 18 1/2"
711mm x 470mm
Allow additional 2" (50.8mm) below the grill for drain fitting.

300 square inches (968cm²) of grilling space. Unit comes with two cooking grates. Griddle is an option.

ACCESSORIES



UTENSIL KIT - A70011

Designed specifically for Kenyon, these high temperature nylon utensils come packaged in a convenient case.



TEXAN GRILL COVER - B96000

Protect our Texan Built-In Grill from all types of weather conditions with this custom fitted cover.



GRIDDLE - B96000

An optional griddle can be interchanged with the grate for all your flat top cooking needs, especially the best pancakes and eggs you'll ever make.



WARMING RACK - A70083

Maximize your grilling experience by adding a warming rack to your grill. Keep your entire meal at the perfect serving temperature for when everyone is ready to eat.

KENYON®

Kenyon International, Inc.
P.O. Box 925, Clinton, CT 06413
Tel: 860 664-4906
Fax: 860 664-4907
www.CookWithKenyon.com



Tested to UL-1026

KENYON Logo, Lite-Touch Q, All Seasons, SilKEN, KENYON PUPS, City Grill and all related materials are trademarks of Kenyon International, Inc. ©2016 Kenyon International, Inc. All Rights Reserved. Specifications subject to change without notice. Printed in U.S.A. 2-2021.