

Texan Electric Grill IntelliKEN Touch™



SPECIFICATIONS

Split Lid Models:	B70425 (240V) B70425NH (240V, no mounting holes) B70470 (208V) B70470NH (208V, no mounting holes)
Single Lid Models:	B70426 (240V) B70426NH (240V, no mounting holes) B70471 (208V) B70471NH (208V, no mounting holes)
No Lid Models:	B70472 (208V) B70472NH (208V, no mounting holes)
Cooking Area :	310 Square Inches
Burners:	2
Voltage:	208V, 240V
Amps:	13
Output:	(2) Independent 1500 Watt Elements
Control Type:	IntelliKEN Touch™
Overall Dimensions:	29.5" W x 21" D x 5 1/2" H (12 1/2" with lid)
Cutout Dimensions:	28" W x 18 1/2" D
Actual Weight:	42 lbs.
Construction:	Marine-Grade 304 Stainless Steel

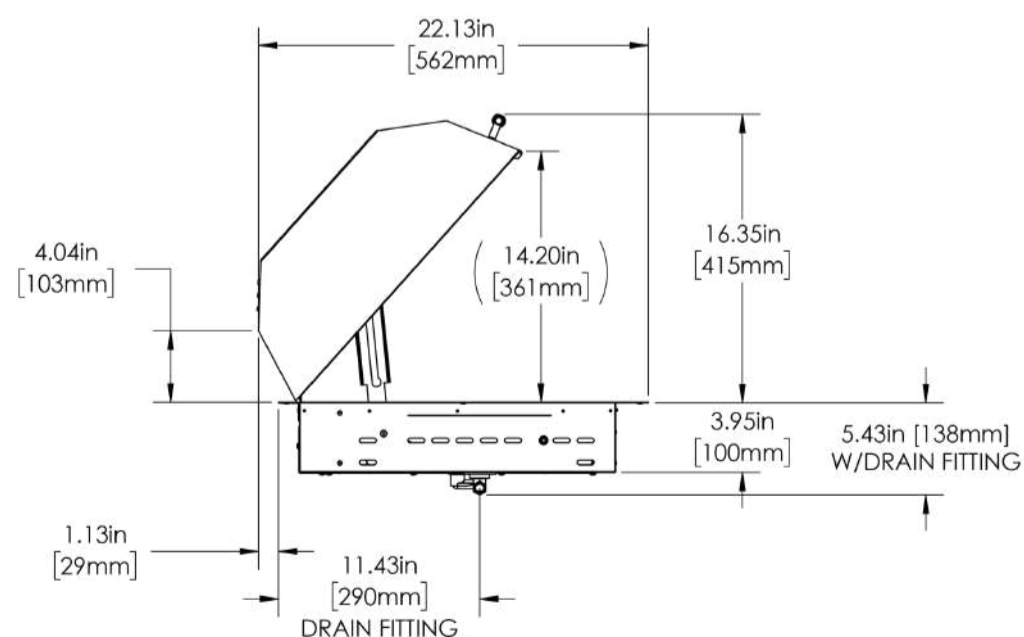
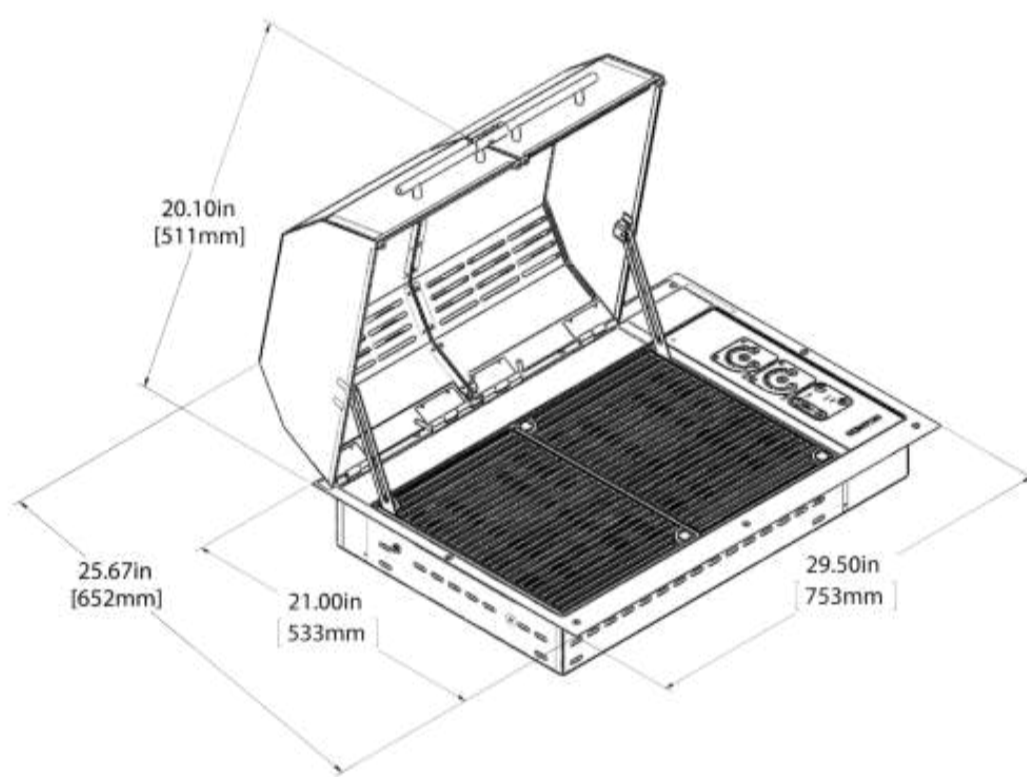
The Texan Electric Grill with IntelliKEN Touch Control is a double burner, built-in grill. With two 1500W elements and max output of 3000W, this powerful electric grill presents opportunities for safe grilling while still experiencing authentic grilled food. These grills meet NFPA fire code regulations and are UL approved for indoor and outdoor applications. Available as a single lid option, or split lid, and flanges designed for stone (no holes for mounting- indicated as NH models) or other counter surfaces (these models include screws and screw holes for affixing to counters)



FEATURES:

- Patented concealed electric elements eliminate flare-ups
- No hot or cold zones due to direct contact between element and cooking grate
- Independent waterproof digital touch control panel
- Non-stick grates imparts characteristic barbeque grill marks and is dishwasher safe
- Automatic shut-off at 60 or 90 minutes depending on heat setting
- Select between 16 different heat settings for the perfect temperature every time
- Precision Control allows the user to select the power setting (1-16) or temperature (150°F - 550°F)
- Switch from Fahrenheit to Celsius with a simple push of a button
- Keep track of kitchen tasks that are independent of cooking activity on the grill with the kitchen timer

ACCESSORIES:



Kenyon backs every grill with a 3-year product replacement warranty



Stainless steel is backed by a lifetime rust-free guarantee



Certified to UL-1026



Griddle - B96000

Replace one or both grates with a flat top griddle for added versatility



Grill Cover - A70017

Protect your investment with a sunbrella cover specifically designed for the Texan Grill

KENYON®

WWW.COOKWITHKENYON.COM

Kenyon International, Inc. | P.O. BOX 925 | Clinton, CT USA | (860) 664-4906

