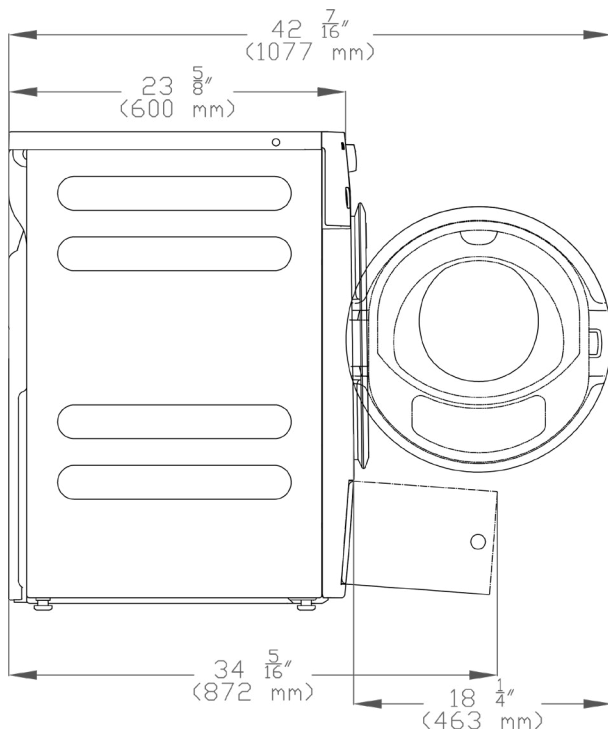
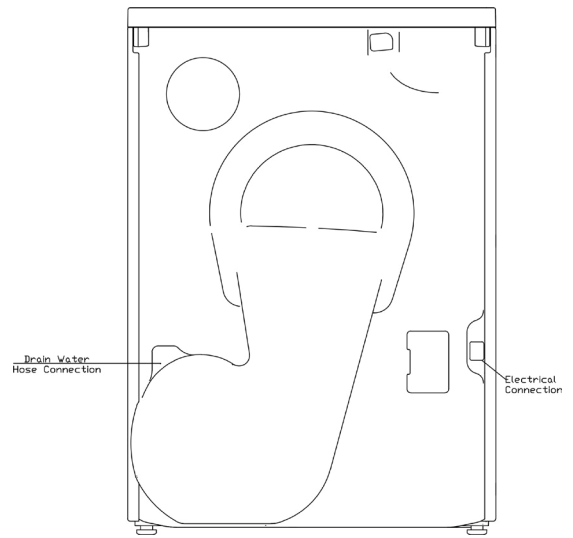


ADDITIONAL PRODUCT DIMENSIONS

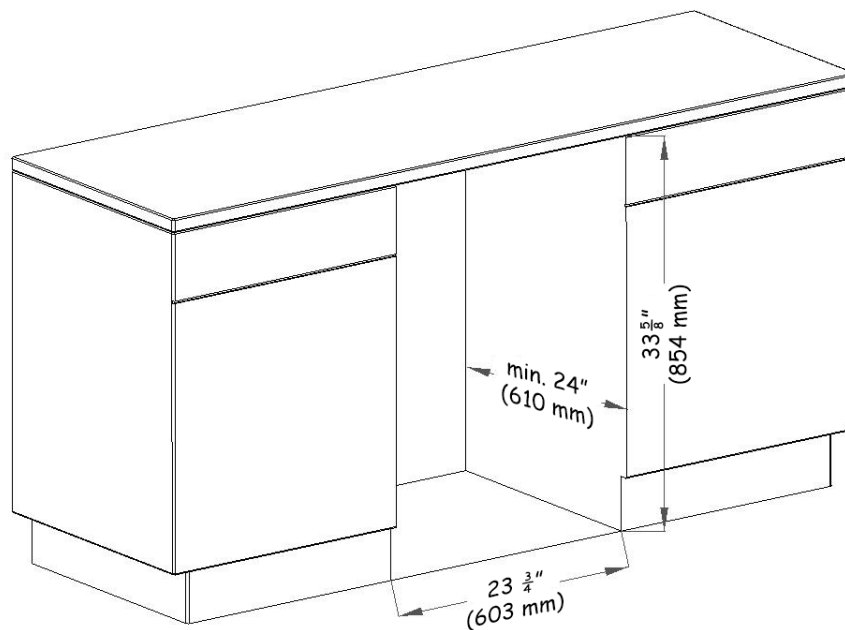
Side View



Rear View



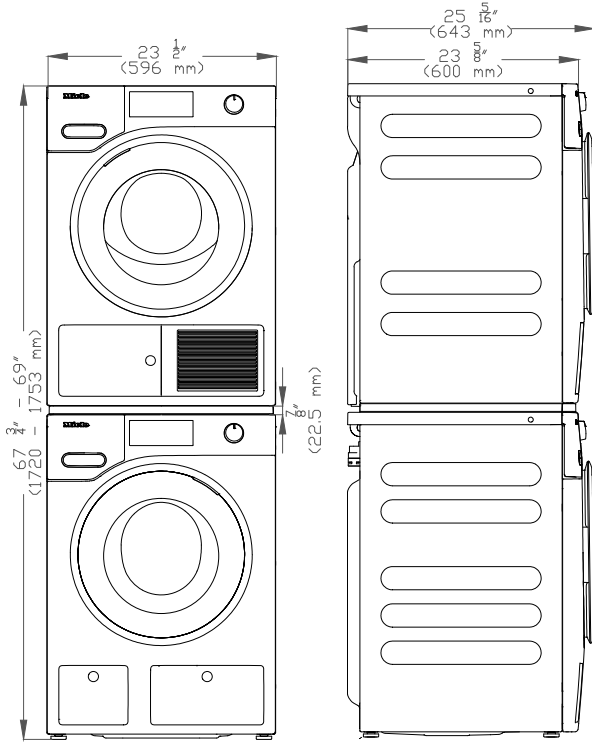
NICHE DIMENSIONS



OPTIONAL ACCESSORIES

WTV502

Material# 9256140



WTV512

Material# 9351790

WTS610

Material# 12349900