

TWC24US

24 INCH UNDERCOUNTER SINGLE DOOR SINGLE ZONE WINE COOLER

INSTALLATION INSTRUCTIONS

THOR
K I T C H E N[®]

INSTALLATION MANUAL

INSTALLATION MANUAL FOR WINE COOLER

MODEL NO.
TWC24US

THOR
K I T C H E N[®]

Thanks for buying our WINE COOLER, Hope our advanced product will give your wine a different joyful taste. Before use, please read and follow all safety rules and operating instructions.

TABLE OF CONTENTS

- WARNING.....4
- IMPORTANT SAFETY INSTRUCTIONS.....5
- ADJUSTABLE SHELVES6
- REVERSIBILITY OF THE DOOR.....7
- INSTALLATION DIMENSIONS8
- FREE STANDING APPLICATION ANTI-TIP BRACKET INSTALLATION INSTRUCTIONS.10

WARNING

- To prevent damaging the door gasket, make sure to have the door all the way opened when pulling shelves out of the rail compartment.
- The appliance must be positioned so that the plug is accessible. Release the electric cord. Move your cabinet to its final location. Do not move your Cabinet while loaded with wine. You might distort the body. The wine cellar should be installed in a suitable place in order to avoid Touching the compressor with the hand. Children should be supervised to ensure that they do not play with the appliance.
- If the supply cord is damaged, it must be replaced by manufacturer of its Service agent or a similarly qualified person in order to avoid a hazard.

This appliance can be used by children aged from 8 years and above and persons with reduced physical, sensory or mental capabilities or lack of experience and knowledge if they have been given supervision or not play with the appliance. Cleaning and user maintenance shall not be made by children without supervision.


Children aged from 3 to 8 years aren't allowed to load and unload wine cooler .

To avoid contamination of wine, please respect the following instructions:

- Opening the door for long periods can cause a significant increase of the temperature in the compartments of the appliance.
- Clean regularly surfaces that can come in contact with bottles and accessible drainage systems.
- Clean water tanks if they have not been used for 48 h; flush the water system connected to a water supply if water has not been drawn for 5 days.
- If the refrigerating appliance is left empty for long periods, switch off, defrost, clean, dry, and leave the door open to prevent mould developing within the appliance.
- **WARNING:** Keep ventilation openings, in the appliance enclosure or in the built-in structure, clear of obstruction.
- **WARNING:** Do not use mechanical devices or other means to accelerate the defrosting process, other than those recommended by the manufacturer.
- **WARNING:** Do not damage the refrigerant circuit.
- **WARNING:** Do not use electrical appliances inside the food storage compartments of the appliance, unless they are of the type recommended by the manufacturer.
- Do not store explosive substances such as aerosol cans with a flammable propellant in this appliance.
- **WARNING:** This refrigerating appliance is not suitable for freezing foodstuffs. This appliance is intended to be used in household and similar applications such as
 - staff kitchen areas in shops, offices and other working environments;
 - farm houses and by clients in hotels, motels and other residential type environments;
 - bed and breakfast type environments;
 - catering and similar non-retail applications.
- **WARNING:** To avoid a hazard due to instability of the appliance, it must be fixed in accordance with the instructions.

PLEASE DON'T TRY TO PLUG INTO OR EXTENSION THE CABLE IN ANY CASE.

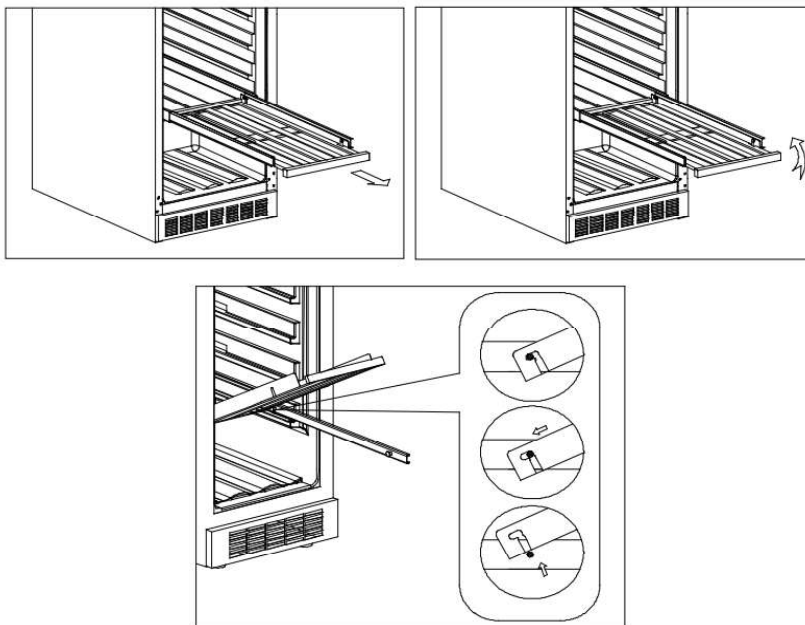
IMPORTANT SAFETY INSTRUCTIONS

⚡WARNING⚡	<p>To reduce the risk of fire, electrical shock, or injury when using your appliance, follow these basic precautions:</p>
<ul style="list-style-type: none"> • Read all instructions before using the wine cooler . • DANGER or WARNING: Risk of child entrapment. Child entrapment and suffocation are not problems of the past. Junked or abandoned appliances are still dangerous . . . even if they will “just sit in the garage a few days”. • Before you throw away your old wine cooler : Take off the door. Leave the shelves in place so that children may not easily climb inside. • Never allow children to operate, play with, or crawl inside the appliance. • Never clean appliance parts with flammable fluids. The fumes can create a fire hazard or explosion. • Do not store or use gasoline or any other flammable vapors and liquids in the vicinity of this or any other appliance. The fumes can create a fire hazard or explosion. • If the refrigerant of these appliances are R600a , Flammable and explosive articles should not be put in or near the cabinet, to avoid the fire or explode caused. 	
<div style="border: 1px solid black; padding: 10px;">  <h2 style="margin: 0;">CYCLOPENTANE</h2> <div style="display: flex; justify-content: space-between;"> <div style="width: 45%;"> <p>DANGER — Risk of fire or explosion. Flammable refrigerant used. To be repaired only by trained service personnel. Use only manufacturer-authorized service parts. Any repair equipment used must be designed for flammable refrigerants. Follow all manufacturer repair instructions. Do not puncture refrigerant tubing.</p> <p>CAUTION — Risk of fire or explosion. Dispose of refrigerator properly in accordance with the applicable federal or local regulations. Flammable refrigerant used.</p> <p>CAUTION — Risk of fire or explosion due to puncture of refrigerant tubing; follow handling instructions carefully. Flammable refrigerant used.</p> </div> <div style="width: 45%;"> <p>DANGER - Risque d'incendie ou d'explosion. Frigorigène inflammable utilisé. La réparation sera faite seulement par un personnel qualifié. Utiliser seulement des pièces de rechange autorisées par le fabricant. Tout équipement de réparation utilisé doit être conçu pour les frigorigènes inflammables. Suivre toutes les instructions de réparation du fabricant. Ne pas perforer la conduite de frigorigène.</p> <p>ATTENTION - Risque d'incendie ou d'explosion. Éliminer convenablement conformément à la réglementation fédérale ou locale. Frigorigène inflammable utilisé.</p> <p>ATTENTION - Risque d'incendie ou d'explosion dû à la perforation de la conduite de frigorigène. Suivre avec soin les instructions de manipulation. Frigorigène inflammable utilisé.</p> </div> </div> </div>	
<p>Save these instructions-</p>	

ADJUSTABLE SHELVES

➤ ADJUSTABLE SHELVES

- To prevent damaging the door gasket, make sure to have the door fully opened when pulling shelves out of the rail compartment.
- For easy access to the storage content, you can pull the shelves approximately 1/3 out of the rail compartment.
- Do not cover the gaps on the racks with aluminum foil or any other material that will prevent adequate air circulation within the cabinet.
- According to the actual configuration of your product, please check the relative Remove or Replace Racks.



1. Fully extend the shelf you wish to remove.
2. Lift the front of the shelf up.
3. Holding the shelf track, push the shelf in, then up to release from the rear dampers.

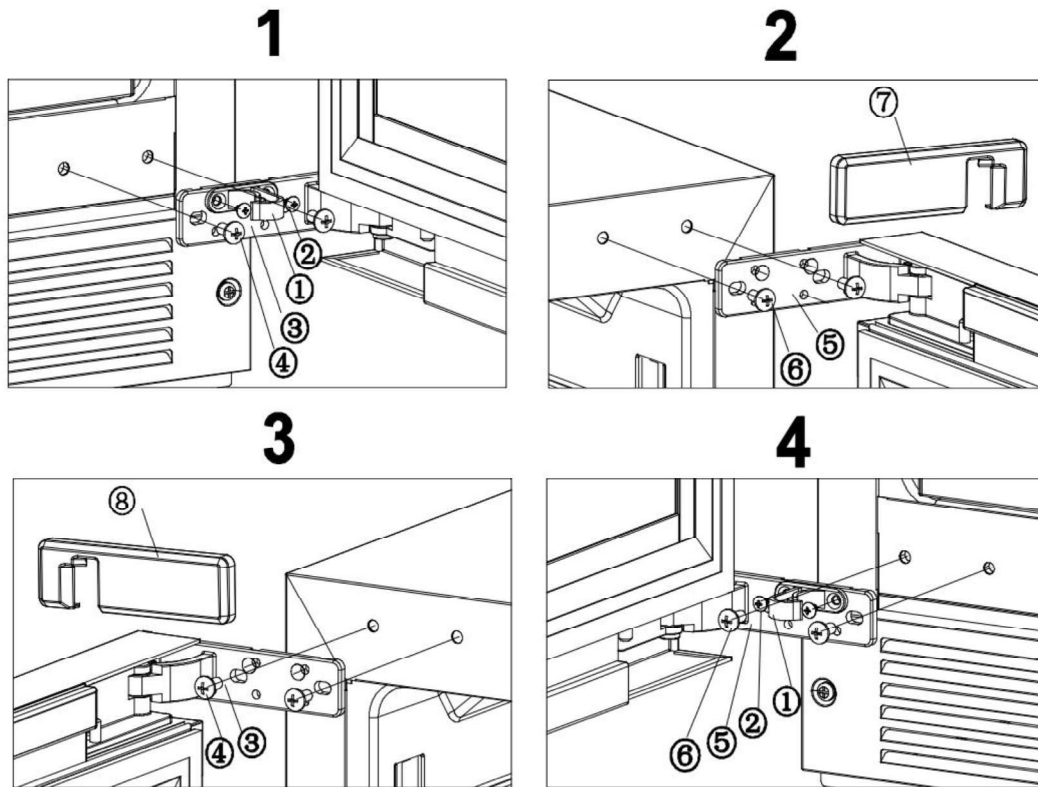
NOTE: The most energy-saving configuration requires food box not to be positioned in the product.

REVERSIBILITY OF THE DOOR

➤ REVERSIBILITY OF THE DOOR

Warning: To avoid accidents during the process of changing the door, we recommend that you get assistance.

The glass door is heavy and may cause injury if dropped.



- 1. DOOR HINGER BUFFER
- 3. HINGE
- 5. HINGE
- 7. HINGE COVER

- 2. DOOR HINGE BUFFER SCREW
- 4. HINGE SCREW
- 6. HINGE SCREW
- 8. HINGE COVER

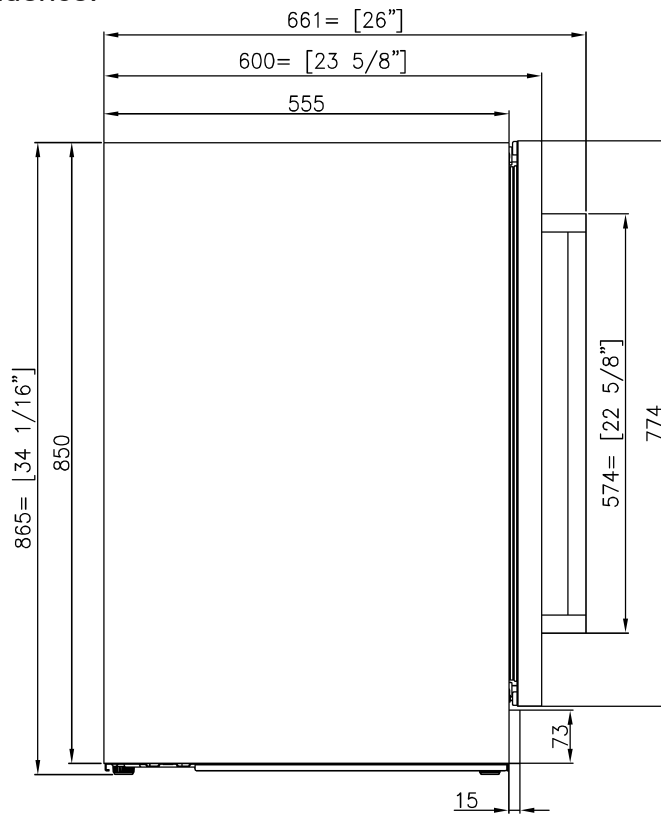
1. Remove the door hinge buffer screw first, and then remove the door hinge buffer (Standby) (Fig1);
2. Then remove the door hinge cover and right upper and lower hinge (Fig1.2);
3. Rotate the door 180 degrees, install the hinge screw, take the lower hinge cover from the kit and install it (Fig3);
4. The install the door hinge buffer (Fig 4) .

INSTALLATION DIMENSIONS

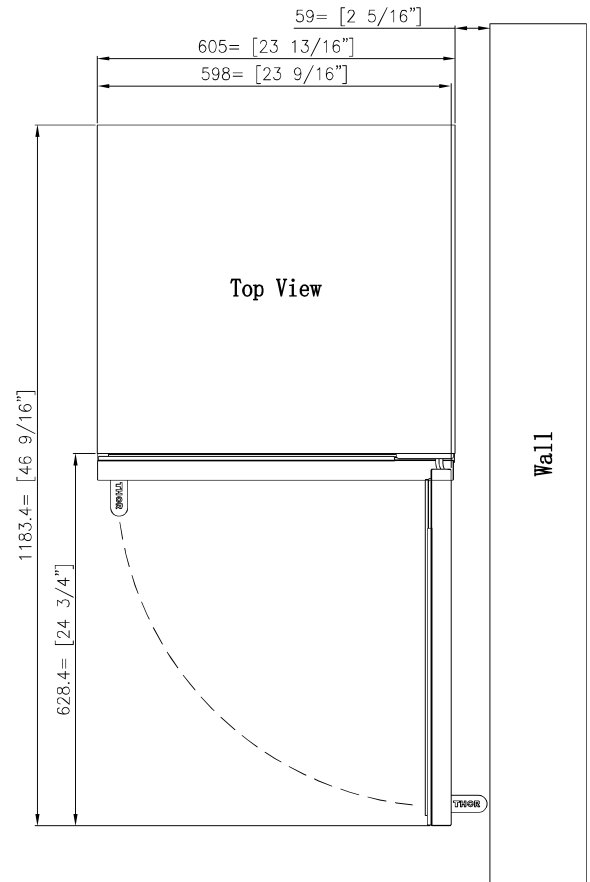
➤ INSTALLATION DIMENSIONS

Be sure your new wine cooler will fit

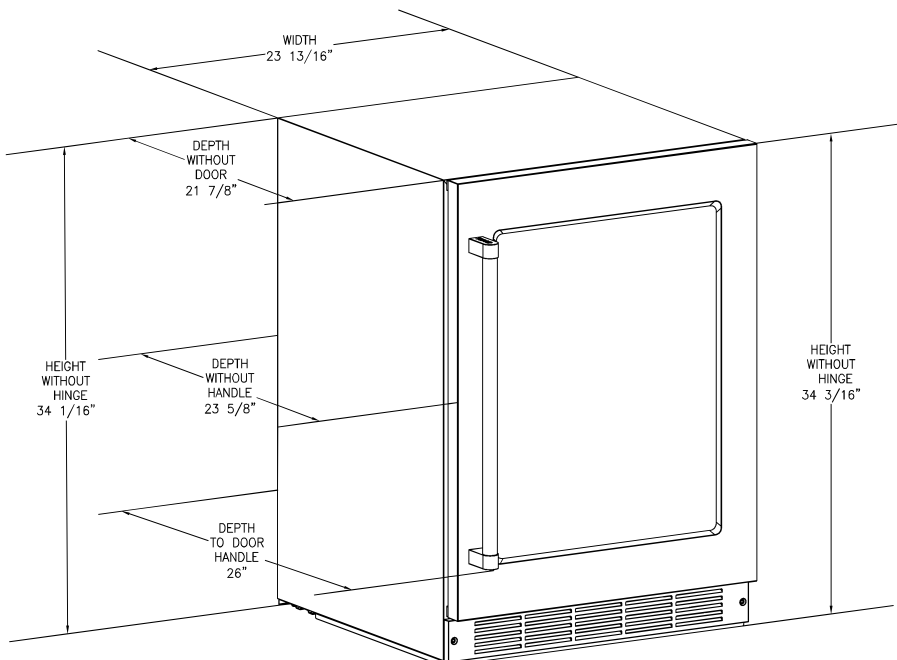
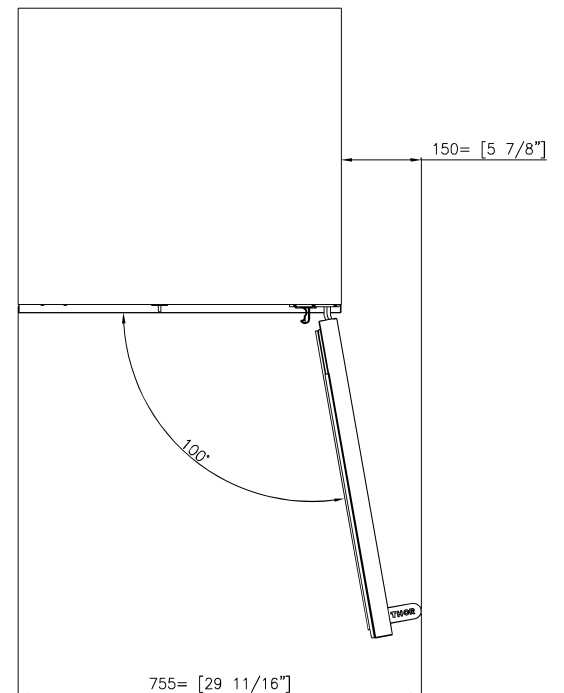
Don't wait until delivery to be sure your new wine cooler will fit -both in your kitchen and through all doorways. This guide includes all pertinent measurements and clearances so you can buy with confidence.



TOP OF BEVERAGE CENTER WITH DOOR OPEN 90°



TOP OF BEVERAGE CENTER WITH DOORS OPEN 100°



INSTALLATION DIMENSIONS

Standard-depth wine cooler

Standard-depth wine cooler typically measure 25 to 29 inches in depth, as opposed to counter-depth wine cooler that sit flush with cabinetry.

Installation Clearances

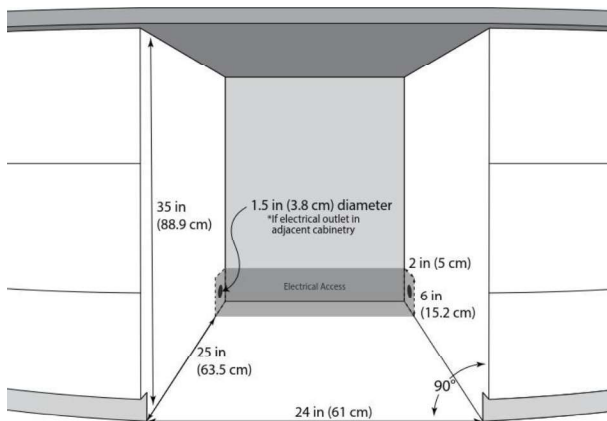
√ It is not recommended to install the appliance into a corner or directly beside a wall. The door will need to be opened more than 90° to allow full extension of the shelves. If it is necessary to place the unit next to a wall or in a corner, leave at least 2-4 inches (5-10 cm) of space between the wall and the appliance to allow for the door opening.

√ The cabinet opening must be at least 24 inches (61cm) wide by 35 inches (88.9 cm) high by 25 inches (63.5cm) deep.

√ If the electrical outlet is located inside adjacent cabinetry, cut a 1.5 inch (3.8 cm) diameter hole to admit the power cord. If the cabinet wall is metal, the hole edge must be covered with a bushing or grommet.

For optimal usage and ability to open refrigerator doors completely, do not install next to a wall.

Please note: The abovedimensionsandcutoutinformationisfor planning purposes only.



Walk the delivery route

√ Identify the narrowest opening that the appliance will travel through, from outside the home to the location where it will be installed.

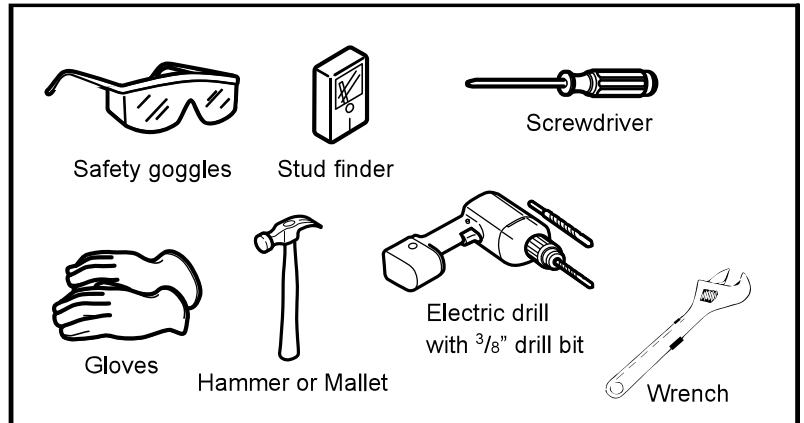
√ Appliance depth or width must be smaller than the width of the narrowest opening.

FREE STANDING APPLICATION ANTI-TIP BRACKET INSTALLATION INSTRUCTIONS

Tools You Will Need

FOR YOUR SAFETY:

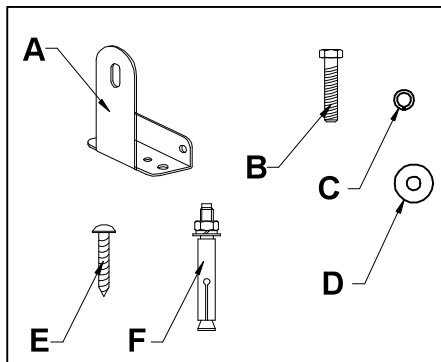
While performing installation described in this section, gloves, safety glasses, or goggles should be worn.



Installing the Anti-Tip Bracket

WARNING:

This appliance may tip when shelves are extended, causing damage or injury. If this appliance is used in a FREE STANDING application, the anti-tip bracket must be installed following these instructions!



Anti-tip bracket parts list:

- A: Anti-tip bracket (1pc)
- B: Hexagon bolt (1pc) size (6mm x 30mm) (1/4"x1.2")
- C: Lock washer (1pc) size (6)
- D: Flat washer (1pc) size (6)
- E: Screw (2pcs) size (ST4x35)
- F: Expansion screw (1 pc) size (6mmx60mm) (1/4"x 2.4")

Secure the bracket with the screws provided.

***For model TWC2470D, 2 sets of the anti-tip bracket will be provided. Both sets MUST be used.**

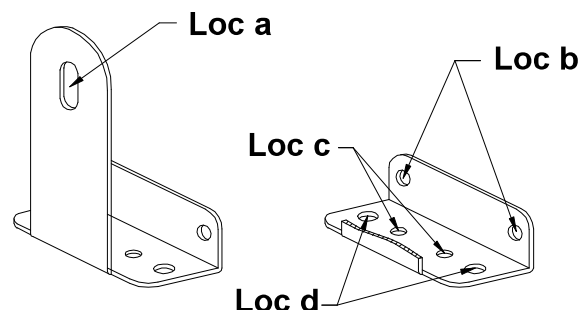
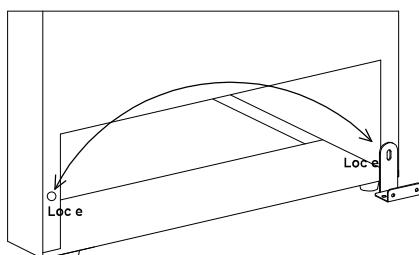
Anti-tip bracket installation

The bracket can be installed at the left bottom OR right bottom of the back of the unit. You can choose which side is convenient for you.

***Notice: For model TWC2470D, both brackets MUST be installed (left and right).**

Anti-tip bracket mounting hole instruction:

- Location a: Fixed mounting hole for unit
- Location b: Fixed mounting holes for Drywall
- Location c: Fixed mounting holes for Wood floor
- Location d: Fixed mounting holes for Concrete floor
- Location e: Mounting hole on the back unit

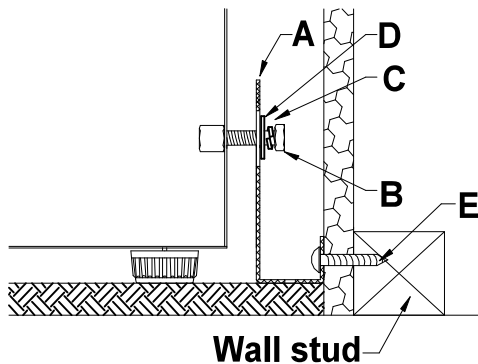


Installation Instructions - Anti-Tip Bracket

Installing the Anti-Tip Bracket

IMPORTANT:

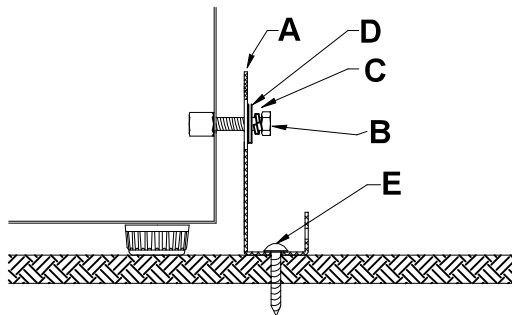
Determine the final location of the appliance before attempting to install the bracket. You will need to choose one of the three installation methods below.



DRYWALL installation:

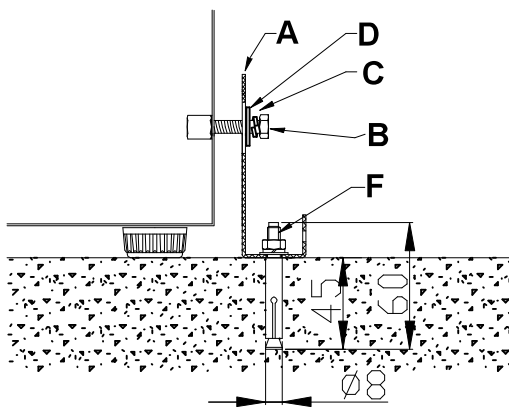
1. After you have chosen the installation location, place the bracket on the floor with Loc b against the wall, use Screw (E) (2pcs) to secure the bracket to the wall. **Ensure at least one screw is secured into a stud.**
2. Move the unit to align Loc e to bracket Loc a, secure with the bolt (B), lock washer (C) and flat washer (D).

NOTE: The screws MUST enter into a wood stud. If the wall contains metal studs or similar materials, then the floor installation must be used



WOOD FLOOR installation:

1. After you have chosen the installation location, place the bracket on the wood floor, use : Screw (E) (2pcs) align Loc c and secure the bracket into wood floor.
2. Move the unit to align Loc e to bracket Loc a, secure with the bolt(B), lock washer (C) and flat washer (D).



CONCRETE FLOOR installation:

1. After you have chosen the installation location, choose any hole of Loc d to secure the bracket into the concrete floor.
2. Using a concrete bit, drill 8mm (3/8") pilot hole 45~55mm (1.7"~2") deep
3. Remove the nut, spring washer and washer of the expansion screw.
4. Carefully tap the expansion screw into the concrete, using a hammer or mallet.
5. Align Loc d and secure the nut, spring washer, washer tightly back on the expansion screw and fix on the concrete floor.
6. Move the unit to align Loc e to bracket Loc a, secure with the bolt(B), lock washer (C) and flat washer (D).

ATTENTION:

Check the bracket: After installing the bracket, try using light force to tip the unit. If the unit does not tip then the bracket mounted securely. If the unit does tip, the bracket **MUST** be reinstalled following these instructions.

WELCOME TO THE CLUB

You chose THOR Kitchen to enhance your culinary journey and we're stoked to have you in the club. Think of it as a secret society of really savvy people, such as yourself, choosing professional power and performance at an affordable price.



Register your product by following the steps below.

WARRANTY REGISTRATION



01

Scan the QR code or visit
thorkitchen.com/warranty



02

Input your product info
and select register



03

You're done.
Let's get cook in'.

WARRANTY



NEED PARTS?

