

24 INCH

REFRIGERATOR / FREEZER



TUR-24-R/L-OP-C



TUR-24-R/L-OG-C

BEVERAGE CENTER



TBC-24-R/L-OP-C



TBC-24-R/L-OG-C

WINE CABINET



TWC-24-R/L-OP-C



TWC-24-R/L-OG-C

DUAL ZONE WINE CABINET



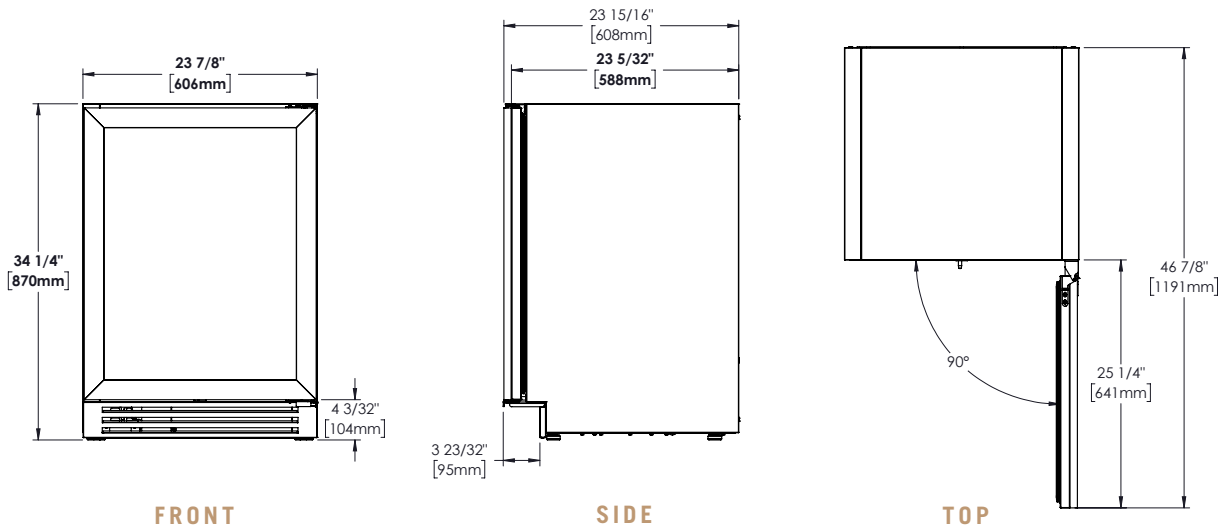
TWC-24DZ-R/L-OP-C



TWC-24DZ-R/L-OG-C

NOTE: Unit shown with overlay panel (not provided by True)

PLAN VIEW DIMENSIONS\*



\*Depth measurement includes 3/4" thick panel (not provided by TRUE).  
Dimensions may vary by ± 1/8" (3.2 mm)

## 24 INCH

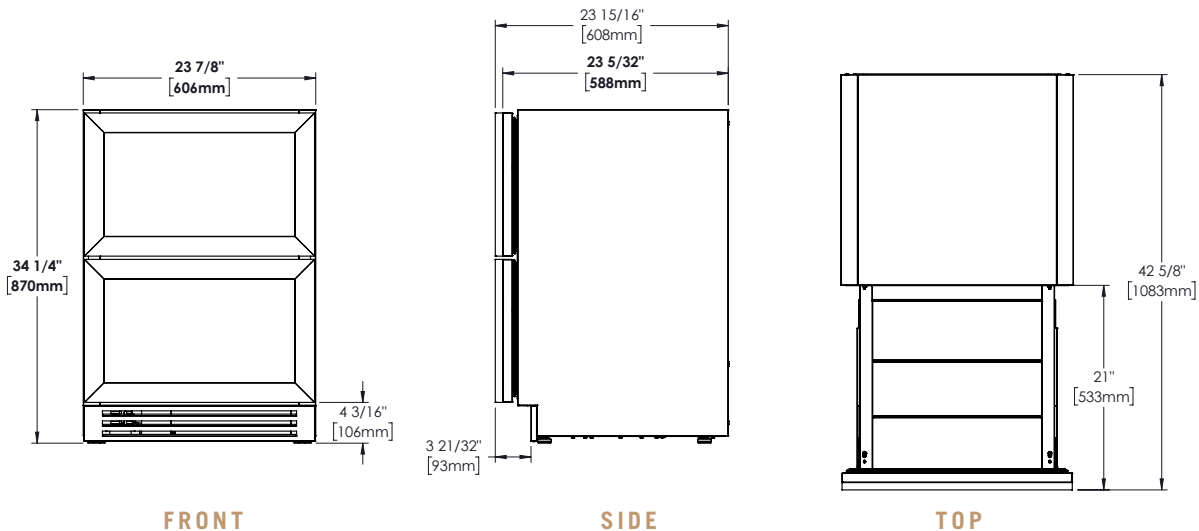
### REFRIGERATOR / FREEZER DRAWERS



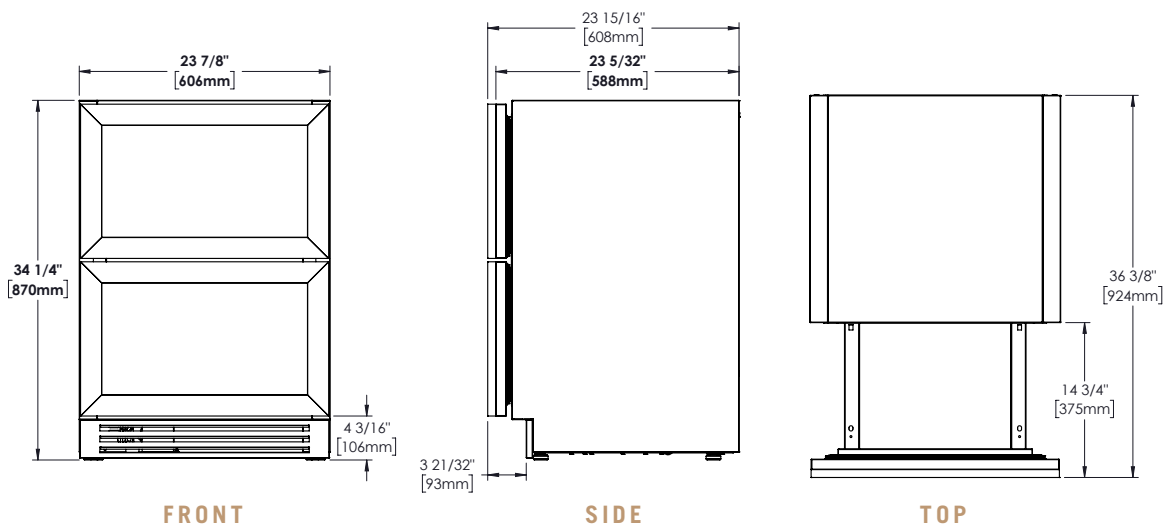
TUR-24-D-OP-C

TUF-24-D-OP-C

### REFRIGERATOR PLAN VIEW DIMENSIONS\*



### FREEZER PLAN VIEW DIMENSIONS\*



\*Depth measurement includes 3/4" thick panel (not provided by TRUE).  
Dimensions may vary by ± 1/8" (3.2 mm)

NOTE: Unit shown with overlay panel (not provided by True)

## 24 INCH

### BEVERAGE DISPENSER

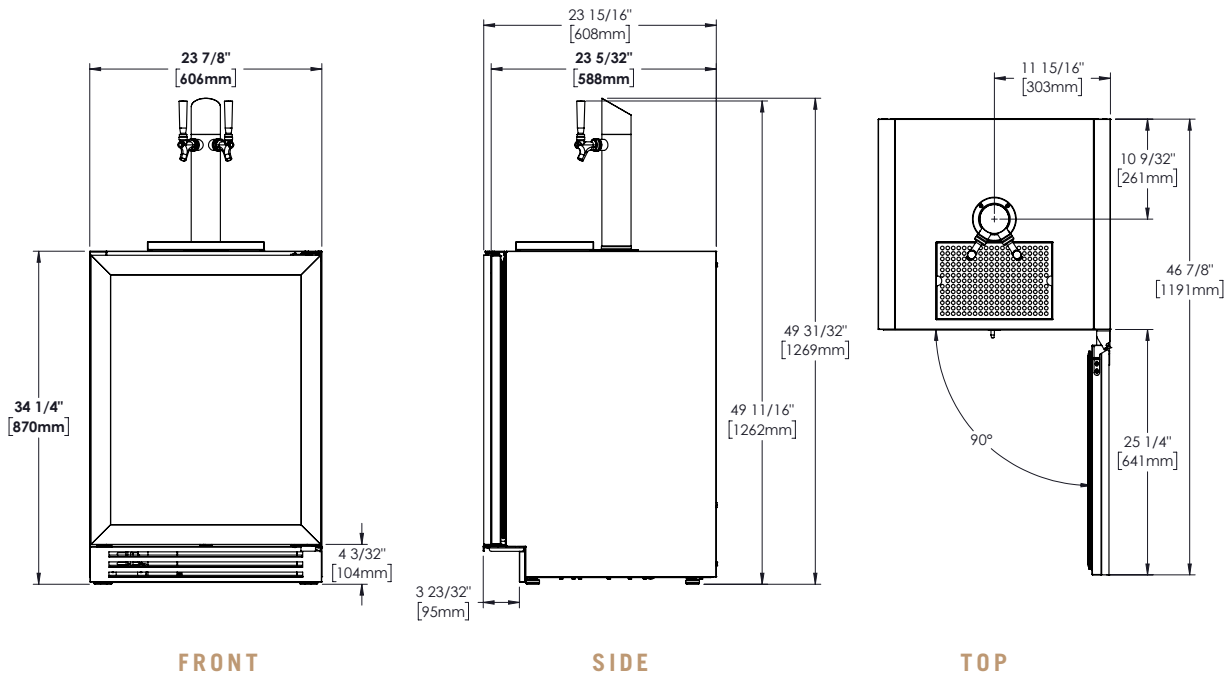


TUR-24BD-R/L-OP-C

TUR-24DD-R/L-OP-C

NOTE: Unit shown with overlay panel (not provided by True)

### PLAN VIEW DIMENSIONS\*



**24" SINGLE TAP UNIT ACCOMMODATES (1) SHORT 1/4 BARREL, (1) SLIM 1/4 BARREL, OR (1) 1/6 BARREL. 24" DUAL TAP UNIT ACCOMMODATES (2) 1/6 BARRELS OR (1) SLIM 1/4 BARREL AND (1) 1/6 BARREL.**

\*Depth measurement includes 3/4" thick panel (not provided by TRUE).  
Dimensions may vary by ± 1/8" (3.2 mm)

15 INCH

**ALL REFRIGERATOR**



TUR-15-R/L-OP-C



TUR-15-R/L-OG-C

**WINE CABINET**



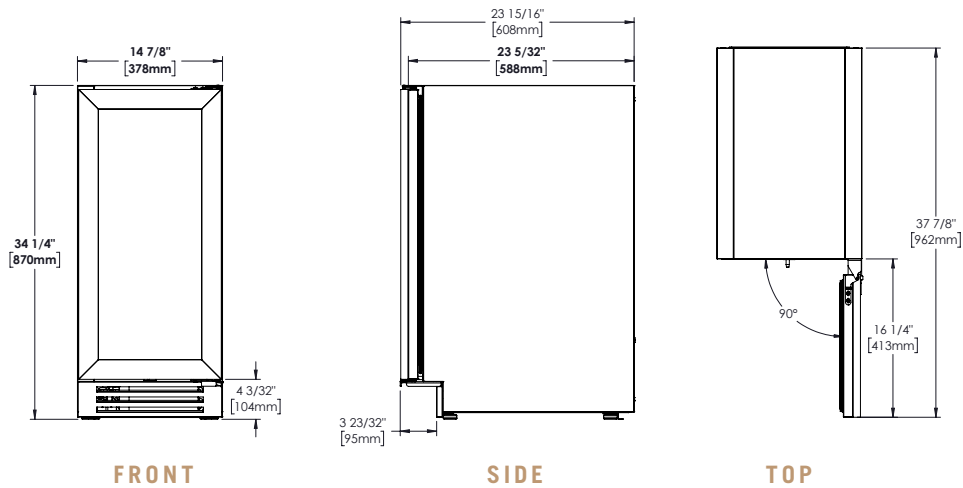
TWC-15-R/L-OP-C



TWC-15-R/L-OG-C

NOTE: Unit shown with overlay panel (not provided by True)

**PLAN VIEW DIMENSIONS\***



\*Depth measurement includes 3/4" thick panel (not provided by TRUE).  
Dimensions may vary by ± 1/8" (3.2 mm)

15 INCH

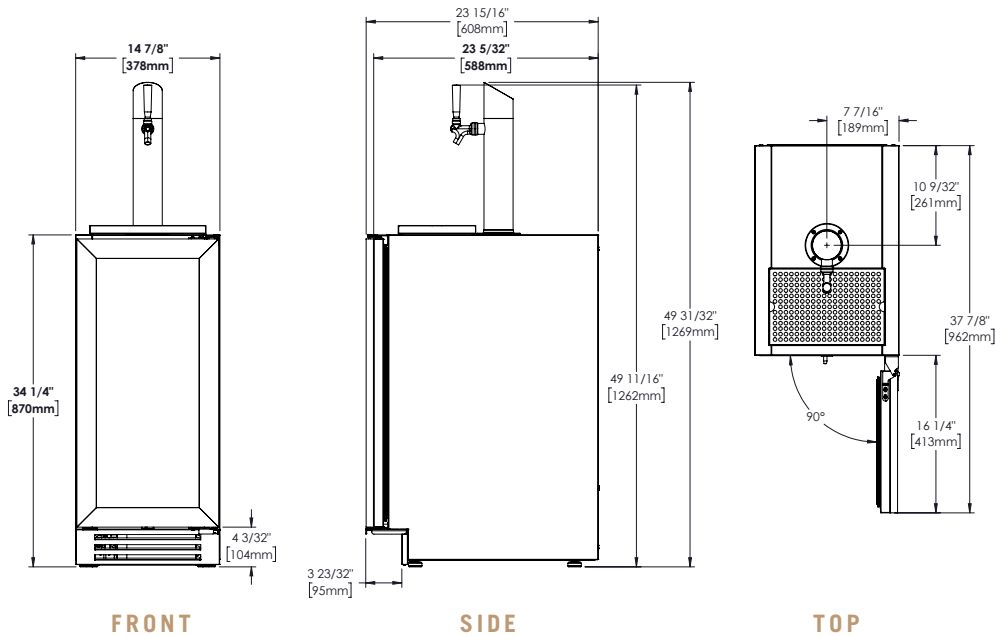
BEVERAGE DISPENSER



TUR-15BD-R/L-OP-C

NOTE: Unit shown with overlay panel (not provided by True)

PLAN VIEW DIMENSIONS\*



15" SINGLE TAP UNIT ACCOMMODATES (1) SLIM  
1/4 BARREL OR (1) 1/6 BARREL.

\*Depth measurement includes 3/4" thick panel (not provided by TRUE).  
Dimensions may vary by ± 1/8" (3.2 mm)

## CUSTOM PANEL SPECIFICATIONS

Overlay units can be fitted with custom panels to match adjacent cabinetry. Two specification options for panel sizes are given in these instructions for overlay units: Standard overlays and Integrated Panels. The standard overlay panel dimensions fully cover the provided appliance door. The integrated panel options extend above the door and conceal the hinge assembly to match full overlay cabinet doors. See pictures below for reference.

### STANDARD OVERLAY PANEL



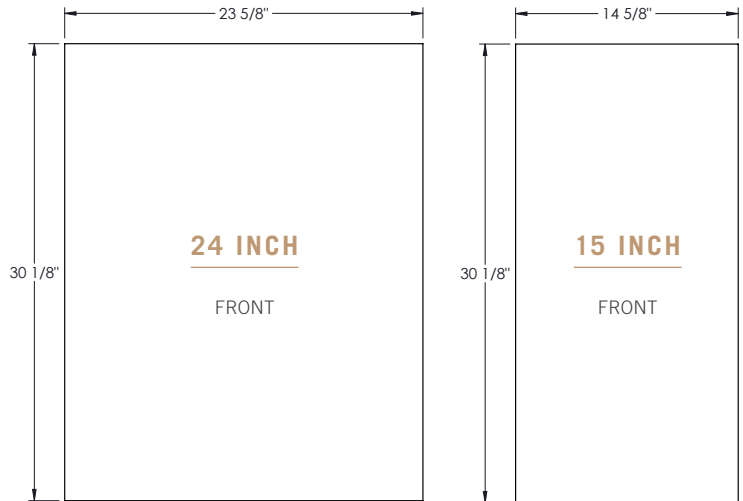
### INTEGRATED OVERLAY PANEL



CUSTOM PANEL SPECIFICATIONS – SOLID DOOR REFRIGERATOR / FREEZER

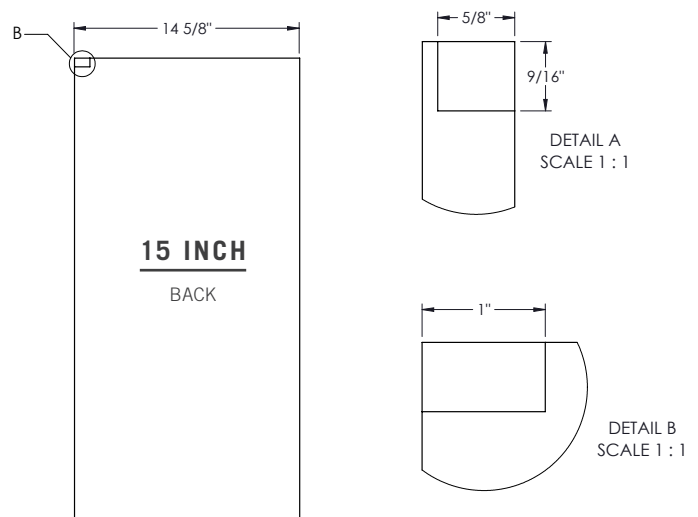
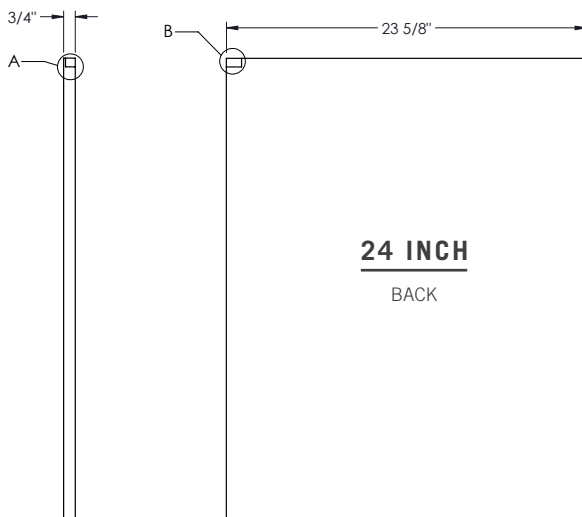
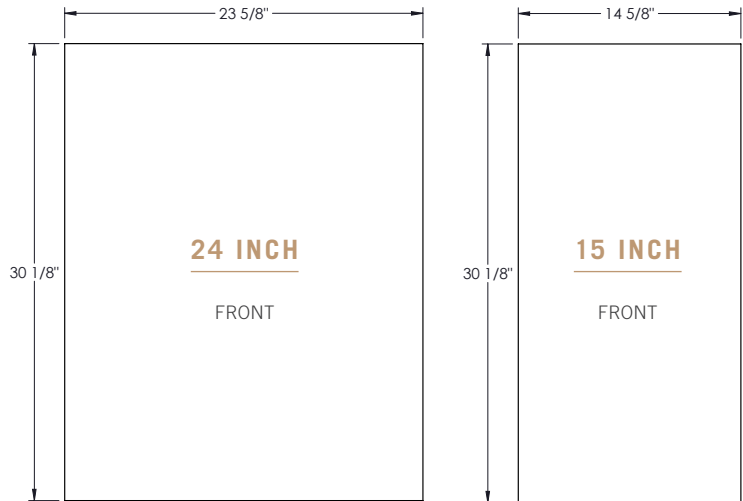
STANDARD OVERLAY PANEL

24"	IN / LB	MM / KG
Width	23-5/8	600
Height	29-23/32	754.9
Depth	3/4 (max)	19 (max)
Weight	10 lb (max)	4.5 kg (max)
Rail Style Dimension	2 (min)	50.8 (min)
15"	IN / LB	MM / KG
Width	14-5/8	371.5
Height	29-23/32	754.9
Depth	3/4 (max)	19 (max)
Weight	10 lb (max)	4.5 kg (max)
Rail Style Dimension	2 (min)	50.8 (min)



INTEGRATED OVERLAY PANEL

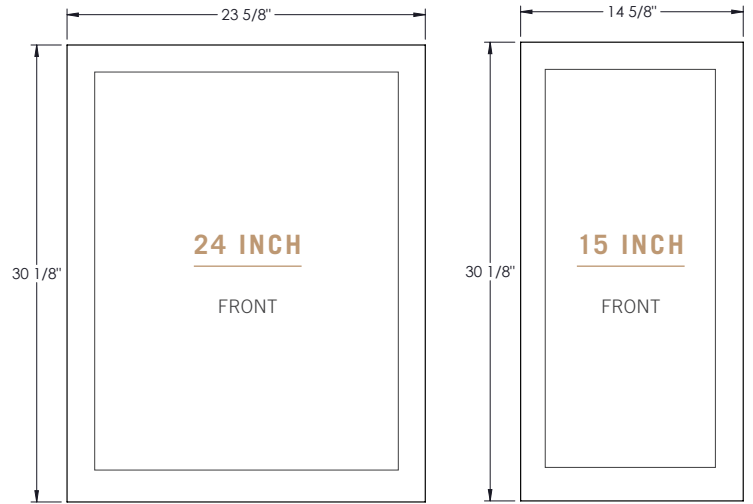
24"	IN / LB	MM / KG
Width	23-5/8	600
Height	30-1/8	765.2
Depth	3/4 (max)	19 (max)
Weight	10 lb (max)	4.5 kg (max)
Rail Style Dimension	2 (min)	50.8 (min)
15"	IN / LB	MM / KG
Width	14-5/8	371.5
Height	30-1/8	765.2
Depth	3/4 (max)	19 (max)
Weight	10 lb (max)	4.5 kg (max)
Rail Style Dimension	2 (min)	50.8 (min)



CUSTOM PANEL SPECIFICATIONS – GLASS DOOR REFRIGERATOR

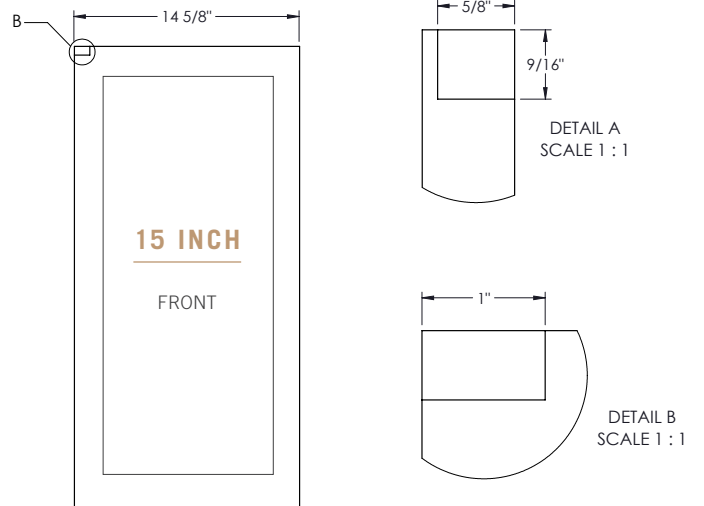
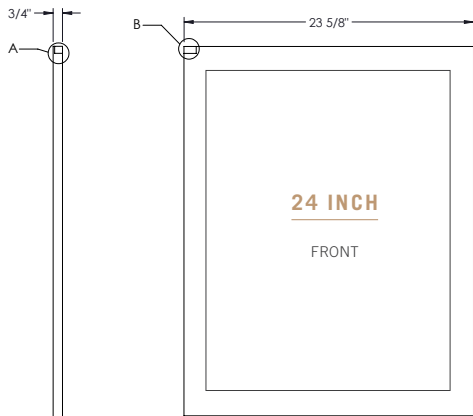
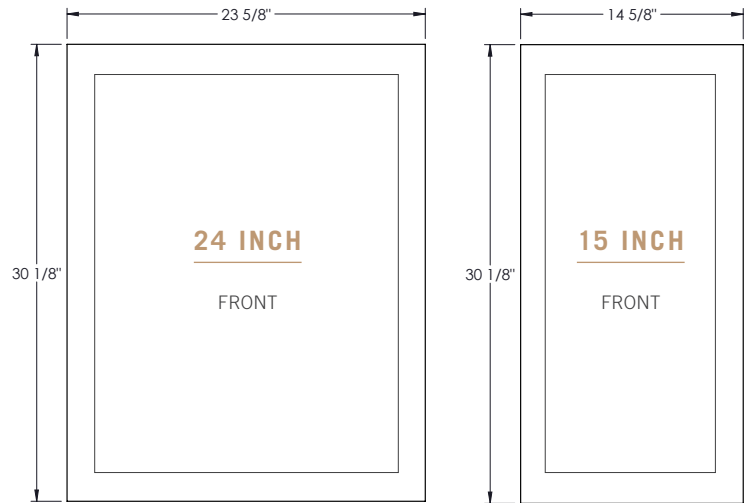
STANDARD OVERLAY PANEL

24"	IN / LB	MM / KG
Width	23-5/8	600
Height	29-23/32	754.9
Depth	3/4 (max)	19 (max)
Weight	10 lb. (max)	4.5 kg (max)
Rail Style Dimension	2 (min)	50.8 (min)
Viewable Area Width	19-5/8	498.5
Viewable Area Height	25-23/32	653.3
15"	IN / LB	MM / KG
Width	14-5/8	371.5
Height	29-23/32	765.2
Depth	3/4 (max)	19 (max)
Weight	10 lb. (max)	9.1 kg (max)
Rail Style Dimension	2 (min)	50.8 (min)
Viewable Area Width	10-5/8	269.9
Viewable Area Height	25-23/32	653.3



INTEGRATED OVERLAY PANEL

24"	IN / LB	MM / KG
Width	23-5/8	600
Height	30-1/8	765.2
Depth	3/4 (max)	19 (max)
Weight	10 lb. (max)	4.5 kg (max)
Rail Style Dimension	2 (min)	50.8 (min)
Viewable Area Width	19-5/8	498.5
Viewable Area Height	25-23/32	653.3
15"	IN / LB	MM / KG
Width	14-5/8	371.5
Height	30-1/8	765.2
Depth	3/4 (max)	19 (max)
Weight	10 lb. (max)	4.5 kg (max)
Rail Style Dimension	2 (min)	50.8 (min)
Viewable Area Width	10-5/8	269.9
Viewable Area Height	25-23/32	653.3

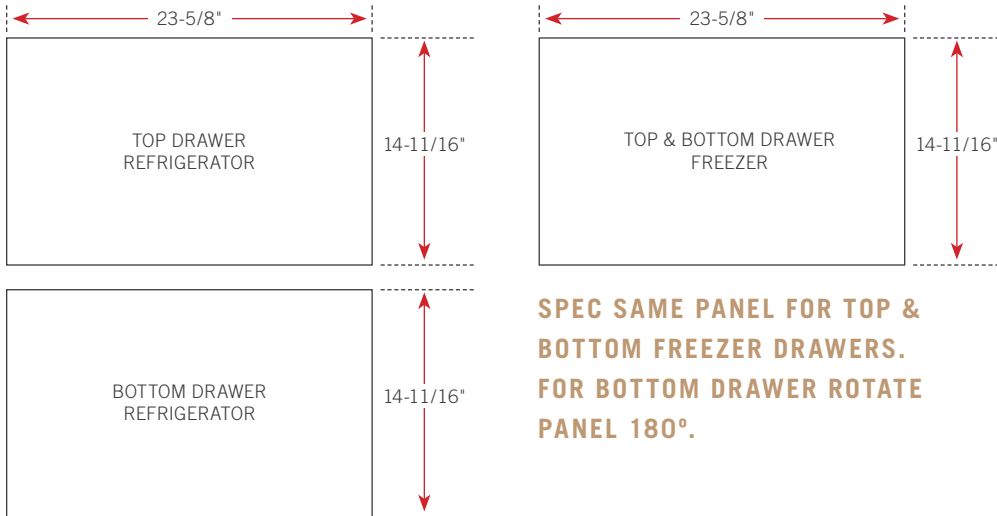




CUSTOM PANEL SPECIFICATIONS – DRAWER REFRIGERATOR / FREEZER

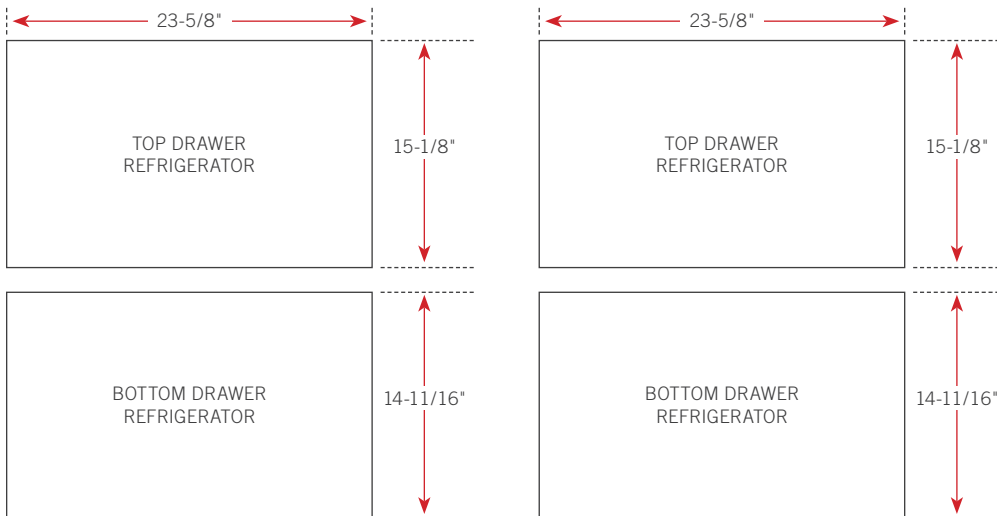
STANDARD OVERLAY PANEL

24"	IN	MM
Width	23-5/8	600
Height	14-11/16	373
Depth	3/4 (max)	19 (max)



INTEGRATED OVERLAY PANEL

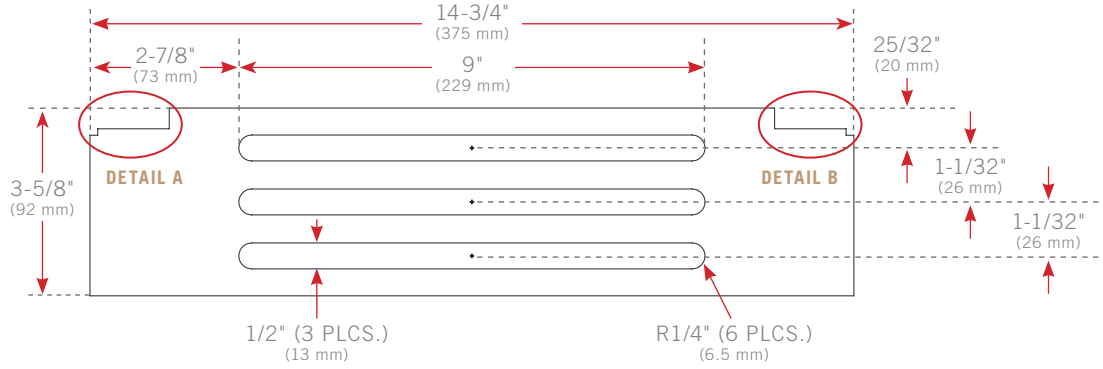
24"	IN	MM
Width	23-5/8	600
Top Panel Height	15-1/8	384
Bottom Panel Height	14-11/16	373
Depth	3/4 (max)	19 mm (max)



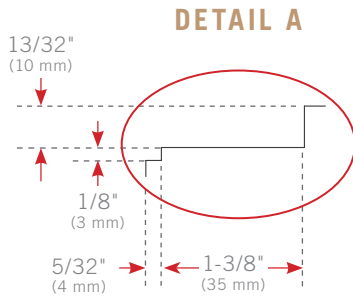
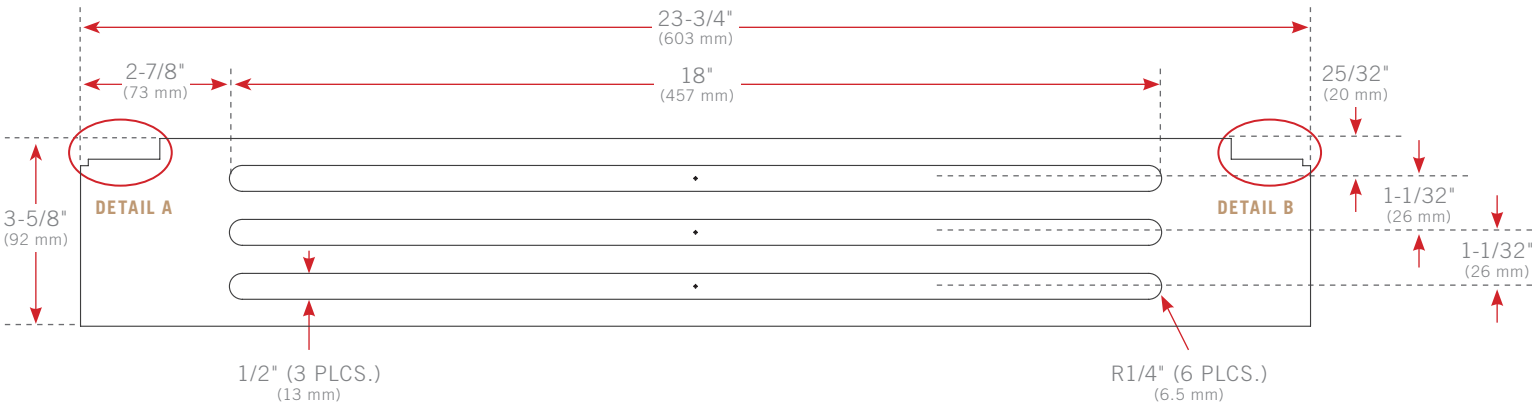
**NOTE: TOP DRAWER WILL EXTEND ABOVE PROVIDED APPLIANCE FRONT**

LOUVER TEMPLATE MEASURES

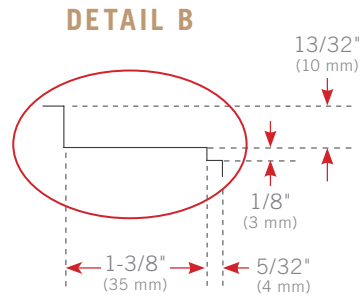
**15 INCH**



**24 INCH**



SCALE 2:3  
 Notch here for a **left hinged** unit.



SCALE 2:3  
 Notch here for a **right hinged** unit.

## DOOR OVERLAY PANEL INSTALLATION

Follow the instructions below to install door overlay panels. Door overlay panel installation is the same for solid and glass door units. For custom panel specifications, please see “Custom Panel Specifications” starting on page 25.

**NOTE: DO NOT INSTALL A SOLID PANEL ON A GLASS DOOR. THIS MAY CAUSE MOISTURE TO FORM BEHIND THE PANEL, RESULTING IN DAMAGE.**

### REQUIRED TOOLS

Required tools include (but may not be limited to) the following:

- Surface Protection\*
- 3/8" Wrench
- Phillips Bit Driver
- 2+ Clamps  $\geq$  2" (51 mm)
- 1/8" Drill Bit
- #6 Screws (qty 10)\*\*
- Drill

\*Cardboard, moving blanket, foam padding, etc.

\*\*Screw type and length varies by material. All screws must be 1/2" (13 mm) + Overlay Panel Thickness.

### PROCEDURE

1. Carefully lay the door overlay panel on a protected surface.
2. Remove the kickplate. See fig. 1.
3. Remove the door from the unit. Leave the hinges installed on the unit. See fig. 2.

**NOTE: BE SURE TO SUPPORT THE DOOR WHILE REMOVING THE HINGE HARDWARE. DO NOT DISCARD.**

4. Remove the gasket. See fig. 3.
5. With a 1/8" drill bit, carefully drill the pre-marked pilot holes in the door. See fig. 4.
6. Carefully place the door face down on the overlay panel. Align the door and panel edges. See fig. 5.
7. Clamp the door and panel. See fig. 6.

**NOTE: IF THE CLAMP JAWS ARE NOT PADDED, INSERT PADDING BETWEEN THE CLAMP AND THE OVERLAY TO PROTECT THE PANEL'S FINISH.**

**IF DESIRED, INSTALL A HANDLE BEFORE PROCEEDING TO THE NEXT STEP. FOR BEST INSTALLATION, FASTEN THE HANDLE WITH RECESSED SCREWS. SEE FIGS. 7 AND 8.**

8. Carefully drill pilot holes into the panel. See fig. 6.

**NOTE: TAKE CARE TO NOT DRILL THROUGH THE FRONT OF THE PANEL.**

9. Fasten the overlay panel to the door front. Then, remove the clamp(s).
10. Install the door gasket.

**NOTE: VERIFY THE GASKET IS FULLY SEATED IN THE GASKET CHANNEL.**

11. Install the door assembly. Verify the door closes correctly and the gasket seals without gaps.



FIG. 1. Pull the kickplate off the magnets.

PRIOR TO INSTALLATION

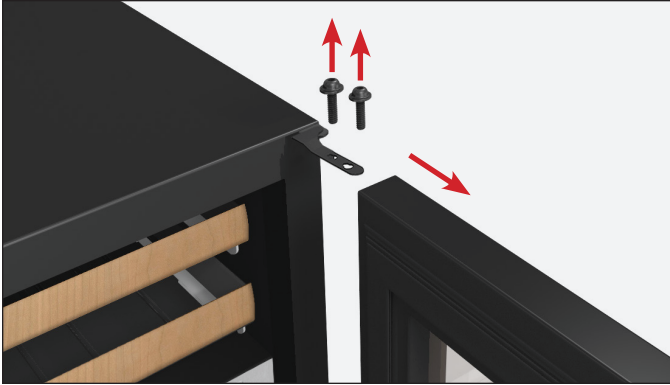


FIG. 2. Remove the hinge bolts from top and bottom hinge

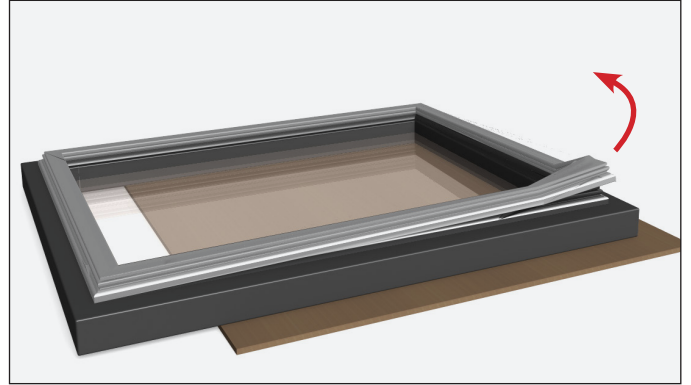


FIG. 3. Pull the gasket from the door.

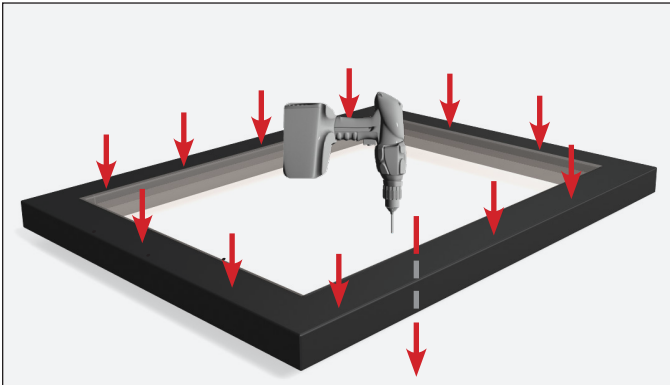


FIG. 4. Drill pilot holes THROUGH the door assembly.

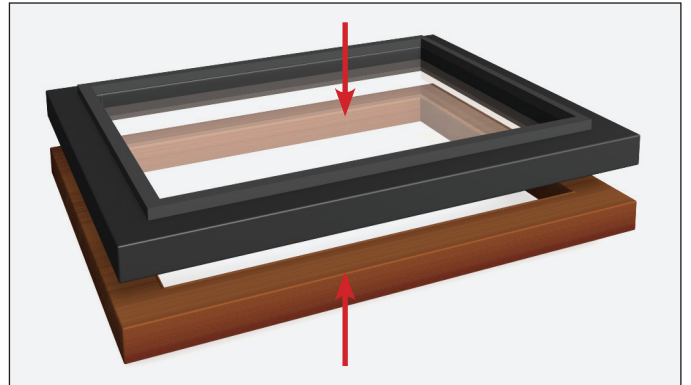


FIG. 5. Be sure the edges are aligned before clamping the panel and door assembly.

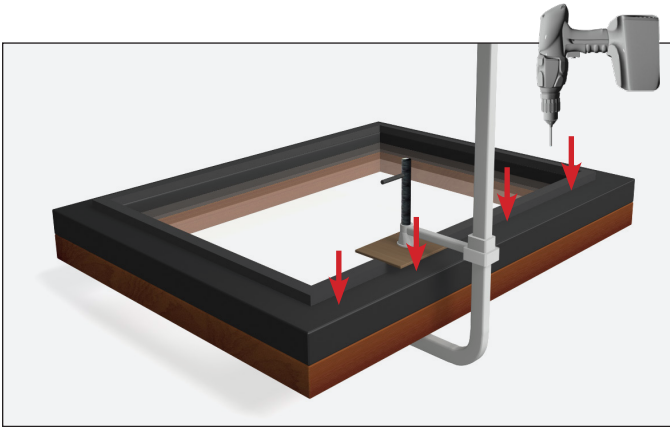


FIG. 6. Be sure to NOT drill through the panel's front.

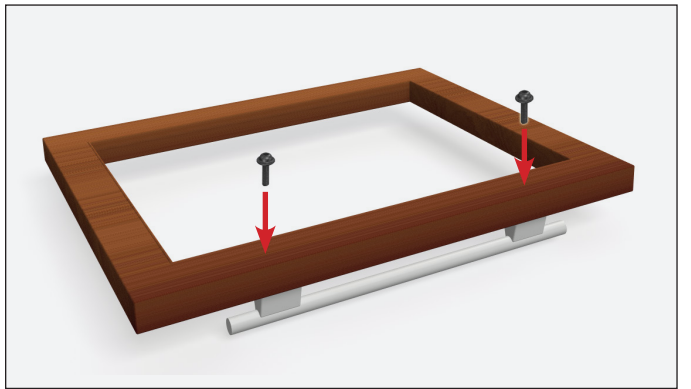


FIG. 7. Install handles before fastening the overlay panel to the door.

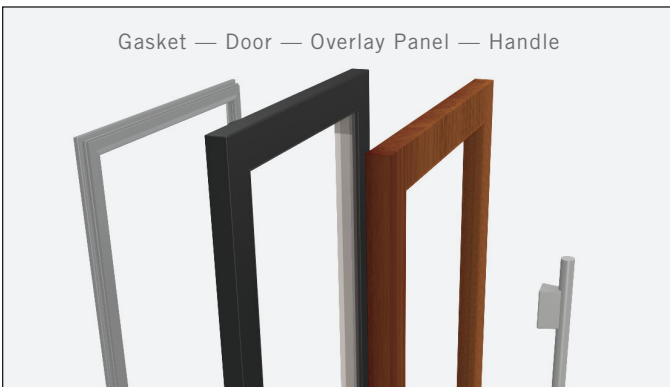


FIG. 8. Door assembly component order.

## DRAWER OVERLAY PANEL INSTALLATION

Follow the instructions below to install drawer overlay panels. For custom panel specifications, please see “Custom Panel Specifications” starting on page 25.

**NOTE: REMOVE THE DRAWER FRONT AS DESCRIBED FOR EASY OVERLAY PANEL INSTALLATION.**

### REQUIRED TOOLS

Required tools include (but may not be limited to) the following:

- Surface Protection\*
- Phillips Bit Driver
- 1+ Clamp  $\geq 2"$  (51 mm)
- 1/8" Drill Bit
- #6 Screws (qty 8)\*\*
- Drill

\*Cardboard, moving blanket, foam padding, etc.

\*\*Screw type and length varies by material. All screws must be 1/2" (13 mm) + Overlay Panel Thickness.

### PROCEDURE

1. Carefully lay the drawer overlay panel face down on a protected surface.
2. With a Phillips bit driver, remove the drawer front assembly. See fig. 1.
3. Remove the gasket. See fig. 2.
4. With a 1/8" drill bit, carefully drill the pre-marked pilot holes in the drawer front. See fig. 3.
5. Place the drawer front face down on the overlay panel. Align the drawer front and panel edges. See fig. 4.
6. Clamp the drawer front and panel. See fig. 5.

**NOTE: IF THE CLAMP JAWS ARE NOT PADDED, INSERT PADDING BETWEEN THE CLAMP AND THE OVERLAY TO PROTECT THE PANEL'S FINISH.**

**IF DESIRED, INSTALL A HANDLE BEFORE PROCEEDING TO THE NEXT STEP. FOR BEST INSTALLATION, FASTEN THE HANDLE WITH RECESSED SCREWS. SEE FIGS. 6.**

7. Carefully drill pilot holes into the panel. See fig. 7.

**NOTE: TAKE CARE TO NOT DRILL THROUGH THE FRONT OF THE PANEL.**

8. Fasten the overlay panel to the drawer front. Then, remove the clamp(s).
9. Install the drawer gasket.

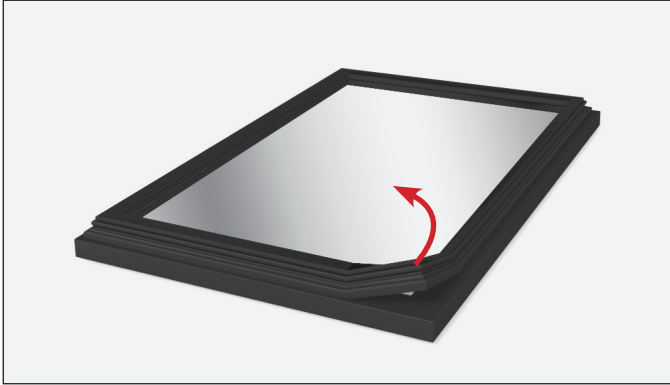
**NOTE: VERIFY THE GASKET IS FULLY SEATED IN THE GASKET CHANNEL.**

10. Install the drawer front assembly. Verify the drawer closes correctly and the gasket seals without gaps.
11. Repeat steps 1-10 for the second drawer.

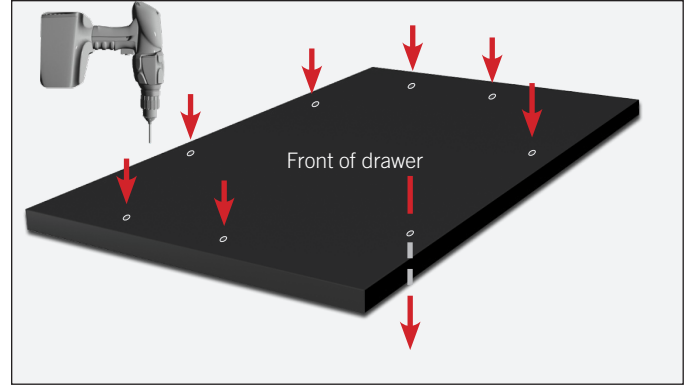


**FIG. 1.** Drawer front screw locations. Other side not shown.

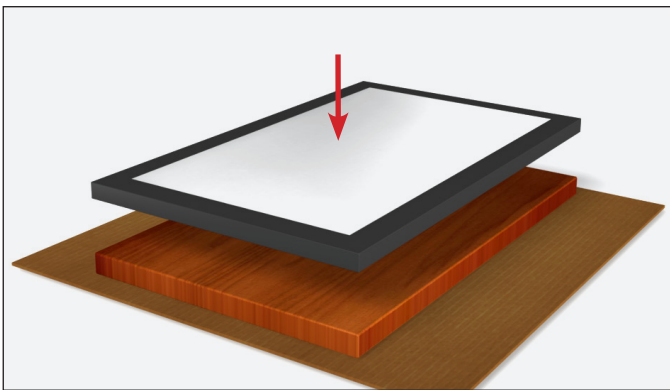
## PRIOR TO INSTALLATION



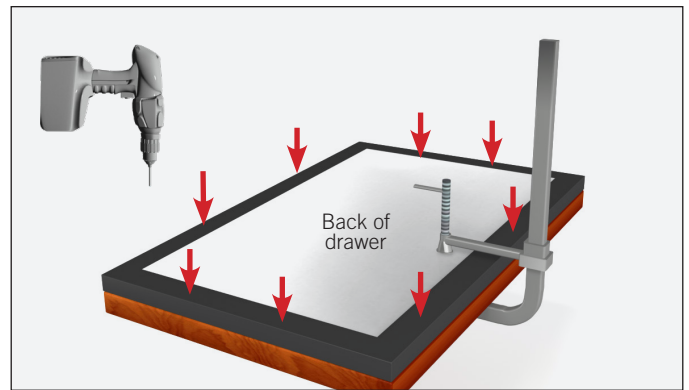
**FIG. 2.** Pull the gasket from the drawer front.



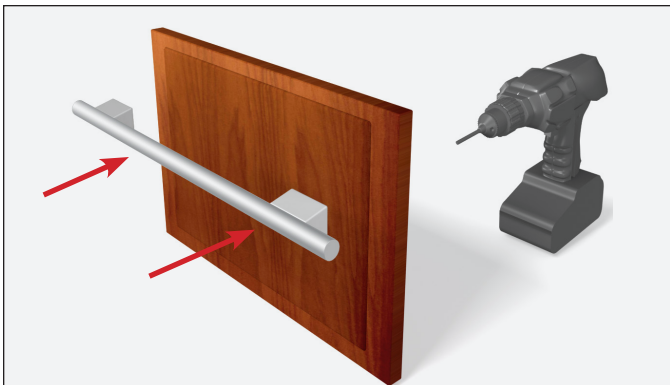
**FIG. 3.** Drill pilot holes THROUGH the drawer front.



**FIG. 4.** Be sure the edges are aligned before clamping the drawer front assembly.



**FIG. 5.** Be sure NOT to drill through the panel's front.



**FIG. 6.** Install handles before fastening the overlay panel to the door.

## WINE RACK HANDLE & OVERLAY PANEL FINISH APPLICATION

See finish (e.g., paint or stain) for application instructions and drying / curing times. Drying / Curing times vary by finish.



**NOTE:** Finish odors from panels installed before fully drying /curing can linger and be absorbed by the cabinet's interior. **True is not responsible for lingering finish odors inside the unit.**

### WINE RACK HANDLES

Follow recommended guidelines associated with treating unfinished natural cherry wood.

**NOTE:** Remove the wine rack handles from the wine rack assembly before applying finish!

### REQUIRED TOOLS

Required tools include (but may not be limited to) the following:

- Phillips Screwdriver or Bit Driver
- Drill (optional)

### REMOVAL

1. Gently lift the wine rack handle and pull the wine rack forward. See fig. 1.
2. Remove the wine rack handle from the wine rack assembly. See fig. 2.

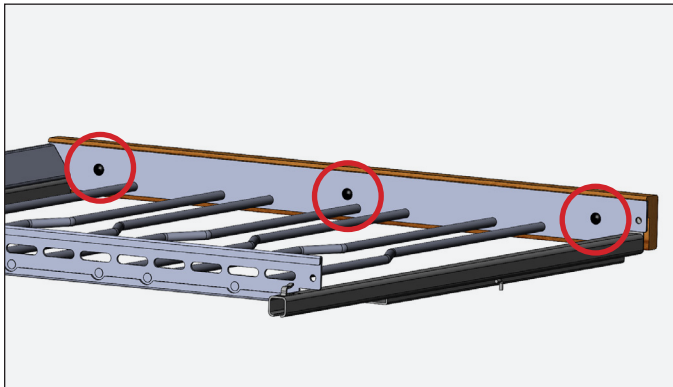


FIG. 2. Wine rack handle screw locations.

### INSTALLATION

Finish odors from wine rack handles installed before fully drying /curing can linger and be absorbed by the cabinets interior. **True is not responsible for lingering finish odors inside the unit.**

1. Install the wine rack handle on the wine rack assembly. See fig. 2.
2. Position the wine rack on the slides and carefully push the wine rack towards the back of the unit. See fig. 3.

**NOTE: BE SURE THE WINE RACK SITS UNDER THE SLIDES REAR TABS. SEE FIG. 4.**



FIG. 1. Lift and pull the wine rack forward.

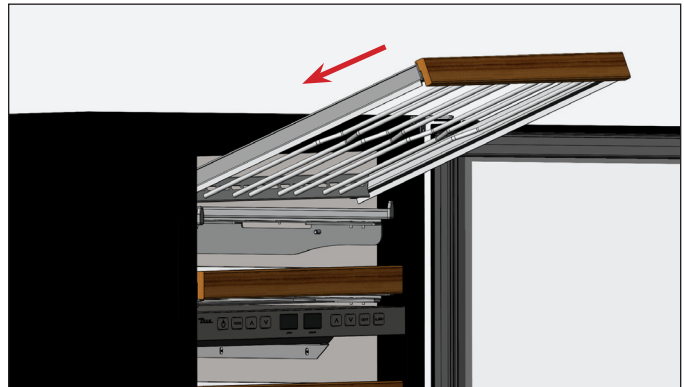
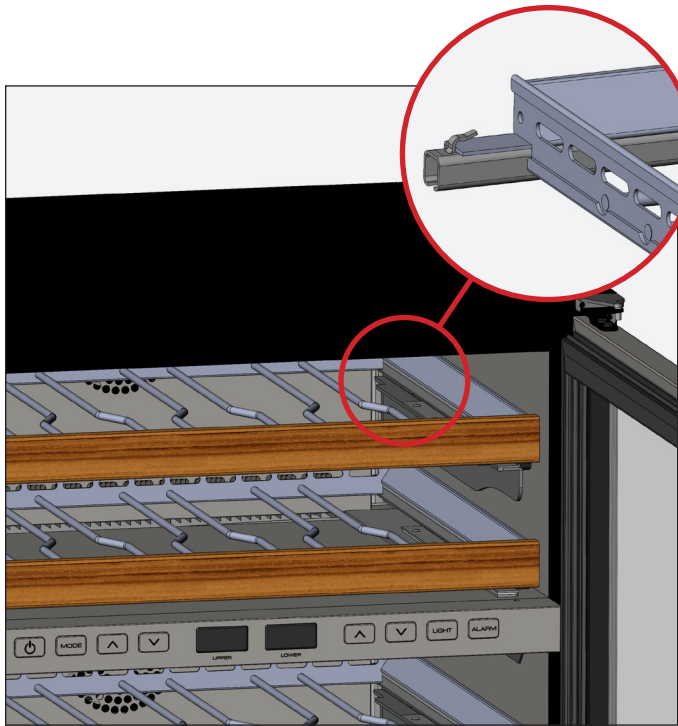


FIG. 3. Slide the wine rack into place.

**OVERLAY PANELS**

See finish (e.g., paint or stain) for application instructions and drying / curing times. Drying / Curing times vary by finish.

For overlay panel installation and removal instructions, please see “Solid (OP) And Glass Framed Panel (OG) Installation” (page 30) or “Drawer Overlay Panel Installation” (page 32).



**FIG. 4.** Be sure the wine rack sits under the rear tabs.