



★ ————— ★

*The originator of professional performance for your home
brings you a taste of Italy you can enjoy every day.*





Florence, Italy is known for outstanding food, delicious wine, impeccable design, and attention to detail. Combining Italian design with Viking Professional performance, the Tuscany range was born in the heart of Italy. These sophisticated new Italian Provincial ranges are sized and featured to meet the needs of American architecture and lifestyles. Incorporating the highest quality materials and unsurpassed reliability Viking is known for, Viking Tuscany is offered in multiple configurations and options to meet the most discriminating tastes.



TUSCANY RANGE - 66" WIDE

- Three different top configurations
 - TVDR6608B – 8 gas burners
 - TVDR6606G – 6 gas burners; electric griddle
 - TVDR6606I – 6 gas burners; 2 induction elements

COOKING FEATURES

- High performance burners provide fast boil times and a gentle simmer
 - 20,000 BTU – 8,500 BTU high burner ratings
- Stainless steel burner pan
- Electronic single point, spark ignition/re-ignition on all burners
- Porcelain coated cast iron burner grates
- Optional surface configurations
 - Machined steel griddle/simmer plate (with grease collection drawer)
- 3.8 cu ft. electric oven (both ovens)
 - 25 3/4" W. x 13" H. x 19 5/8" D.
 - Stainless steel oven cavity
 - Six rack positions with two oven racks including one TruGlide™ Rack
 - Eight cooking functions – Bake, Convection Bake, Tru Convection, Low Broil, High Broil, Convection Broil, Defrost, Proof
 - Two oven lights
- Storage drawer for baking pans with soft-close glides
- Polished chrome die cast knobs

TUSCANY RANGE



TVDR6608B



TVDR6606G



TVDR6606I



TVDR4806B



TUSCANY RANGES - 48" WIDE

- Five different top configurations
 - TVDR4806B – 6 gas burners
 - TVDR4804G – 4 gas burners; electric griddle
 - TVDR4804I – 4 gas burners; 2 induction elements
 - TVDR4802GI – 2 gas burners; electric griddle; 2 induction elements
 - TVDR4804F – 4 gas burners; French top

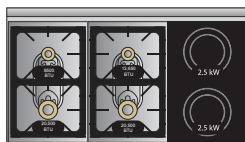
COOKING FEATURES

- High performance burners provide fast boil times and a gentle simmer
 - 20,000 BTU – 8,500 BTU high burner ratings
- Stainless steel burner pan
- Electronic single point, spark ignition/re-ignition on all burners
- Porcelain coated cast iron burner grates
- Optional surface configurations
 - Machined steel griddle/simmer plate (with grease collection drawer)
 - Cast iron French top
 - Induction elements
- 3.8 cu ft. electric oven (left oven)
 - 25 3/4"W. x 13"H. x 19 5/8" D.
 - Stainless steel oven cavity
 - Six rack positions with two oven racks including one TruGlide™ Rack
 - Eight cooking functions – Bake, Convection Bake, Tru Convection, Low Broil, High Broil, Convection Broil, Defrost, Proof
 - Two oven lights
- 2.4 cu ft. oven (right oven)
 - 11 5/8"W. x 18 1/4"H. x 19 5/8"D.
 - Convection bake
 - Side swing oven door
 - One oven rack
- Storage drawer for baking pans with soft-close glides
- Polished chrome die cast knobs

TOP CONFIGURATIONS



TVDR4804G



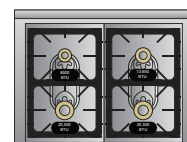
TVDR4804I



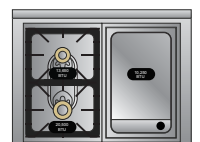
TVDR4802GI



TVDR4804F



TVDR3604B



TVDR3602G



TUSCANY RANGE - 36" WIDE

- Two different top configurations
 - TVDR3604B – 4 gas burners
 - TVDR3602G – 2 gas burners; electric griddle

COOKING FEATURES

- High performance burners provide fast boil times and a gentle simmer
 - 20,000 BTU – 8,500 BTU high burner ratings
- Stainless steel burner pan
- Electronic single point, spark ignition/re-ignition on all burners
- Porcelain coated cast iron burner grates
- Optional surface configurations
 - Machined steel griddle/simmer plate (with grease collection drawer)
- 3.8 cu. ft. electric oven
 - 25 3/4"W. x 13"H. x 19 5/8" D.
 - Stainless steel oven cavity
 - Six rack positions with two oven racks including one TruGlide™ Rack
 - Eight cooking functions – Bake, Convection Bake, Tru Convection, Low Broil, High Broil, Convection Broil, Defrost, Proof
 - Two oven lights
- Full width storage drawer for baking pans with soft-close glides
- Polished chrome die cast knobs



TUSCANY WALL HOODS - 18"H. / 24"D.

- TVWH360 - 36"W.
- TVWH480 - 48"W.
- TVWH660 - 66"W.
- Canopy only; must also purchase interior or exterior ventilator kit, sold separately
- Backlit LED knobs extend and illuminate to control lighting level and ventilation speed
- Dimmable LED lighting is energy efficient and easily replaceable
- Heat lamps standard (250 watt heat lamp bulb not included)
- Dishwasher-safe commercial-type SS baffle filters with handles
- Separate removable grease trough for easy cleaning
- Heat sensor automatically turns ventilator on full power when temperatures reach uncomfortable levels
- Virtually seamless stainless steel canopy interior for easy cleaning



TUSCANY DUCT COVERS FOR WALL HOODS

- TDCW36 - 36"W.
- TDCW48 - 48"W.
- TDCW66 - 66"W.
- For use with all TVWH models
- Extends height of hood 12"H. to conceal duct; 12"D.

TUSCANY DISHWASHER DOOR PANEL KIT

- TVDDP24 - 24"W.
- For use with all FDW model dishwashers (sold separately)



WARRANTY HIGHLIGHTS

- Viking Signature Warranty
 - Two-year full – complete product
 - Ninety-day full – cosmetic parts such as glass, painted items, and decorative items

COLOR FINISHES FOR RANGES, HOODS, AND DISHWASHER PANEL

Dark Blue (DB), Antique White (AW), Graphite Black (GB), and Bordeaux (BX)

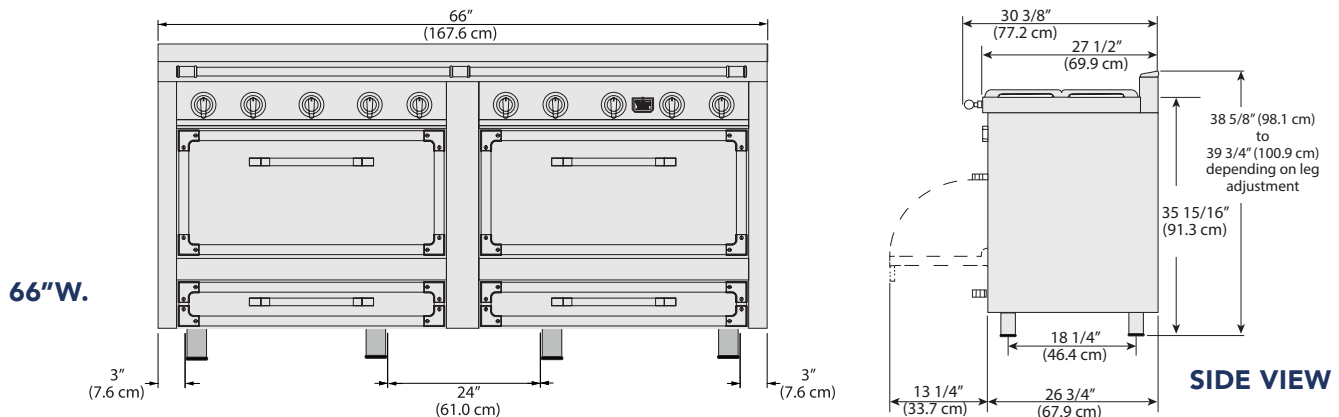
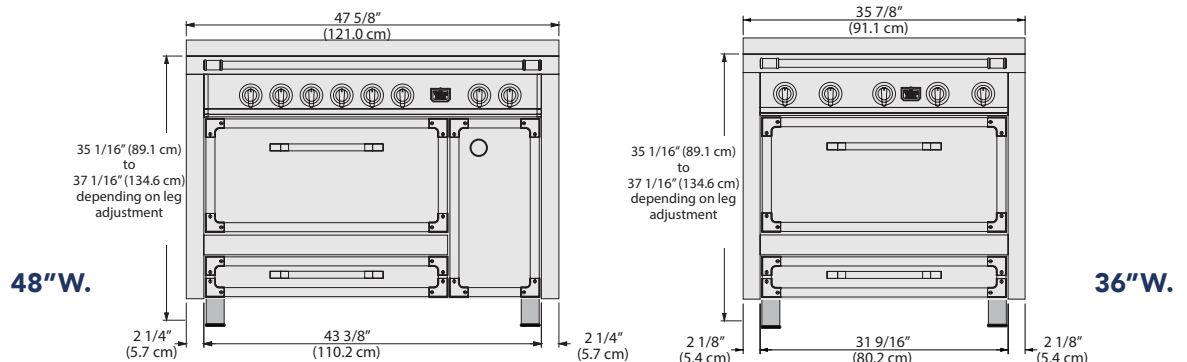
TRIM FINISH

Polished Chrome



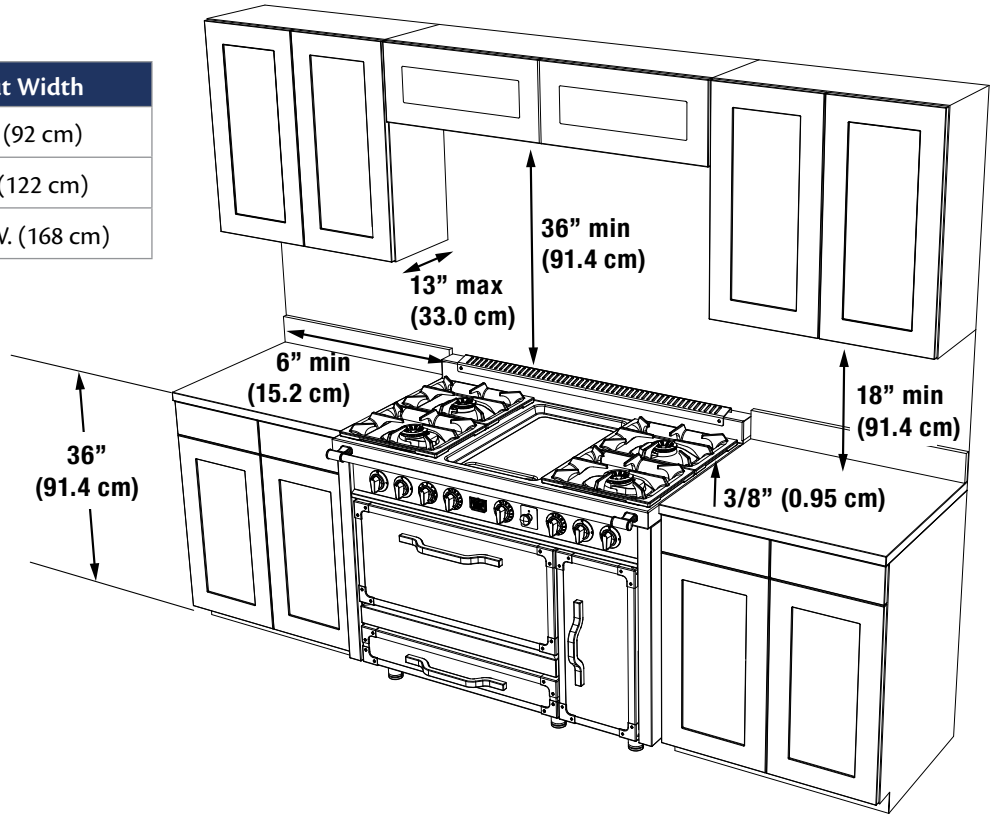
TUSCANY DUAL FUEL RANGES

Description	36" W.	48" W.	66" W.
Overall width	35-7/8" (91.1 cm)	47-7/8" (121.6 cm)	66-1/8" (168.0 cm)
Overall height from bottom To top of side trim Leg adjustment	35-7/8" (91.1 cm) min to 36-5/8" (93.0 cm) max 3/4" (1.9 cm)		
Overall depth from rear To end of side panel To front of door To end of towel bar To end of door handle	26-3/4" (67.9 cm) 26-3/4" (67.9 cm) 30-3/8" (77.2 cm) 28-7/8" (35.2 cm)		
Additions to Base Height To top of island trim	add 4" (10.2 cm)		
Gas requirements	Shipped Natural Gas, accepts standard residential 1/2" (1.3 cm) ID gas service line. Natural 5.0" W.C.P./ Liquid Propane L/P 10.0" W.C.P. Unit is field convertible with optional accessory conversion kit.		
Electrical requirements	40 amp	50 amp	50 amp
	See install guide for more information		
Maximum amp usage	240V - 18.5 amps / 208V - 15.8 amps	240V - 28.5 amps / 208V - 24.4 amps	240V - 31.1 amps / 208V - 26.6 amps
Surface ratings	See illustrations		
Oven interior width	25-3/4" (65.4 cm)	LH 25-3/4" (65.4 cm) RH 11-5/8" (29.5 cm)	Both ovens: 25-3/4" (65.4 cm)
Oven interior height	13" (33.0 cm)	LH 13" (33.0 cm) RH 18-1/4" (46.4 cm)	Both ovens: 13" (33.0 cm)
Oven interior depth	19-5/8" (49.8 cm)	LH 19-5/8" (49.8 cm) RH 19-5/8" (49.8 cm)	Both ovens: 19-5/8" (49.8 cm)
Oven volume Overall AHAM	3.8 cu. ft.	LH 3.8 cu. ft. RH 2.4 cu. ft.	Both ovens: 3.8 cu. ft.
Approximate shipping weight	300 - 340 lbs (135 - 153 kg)	470 - 510 lbs (212 - 230 kg)	640 - 695 lbs (289 - 314 kg)

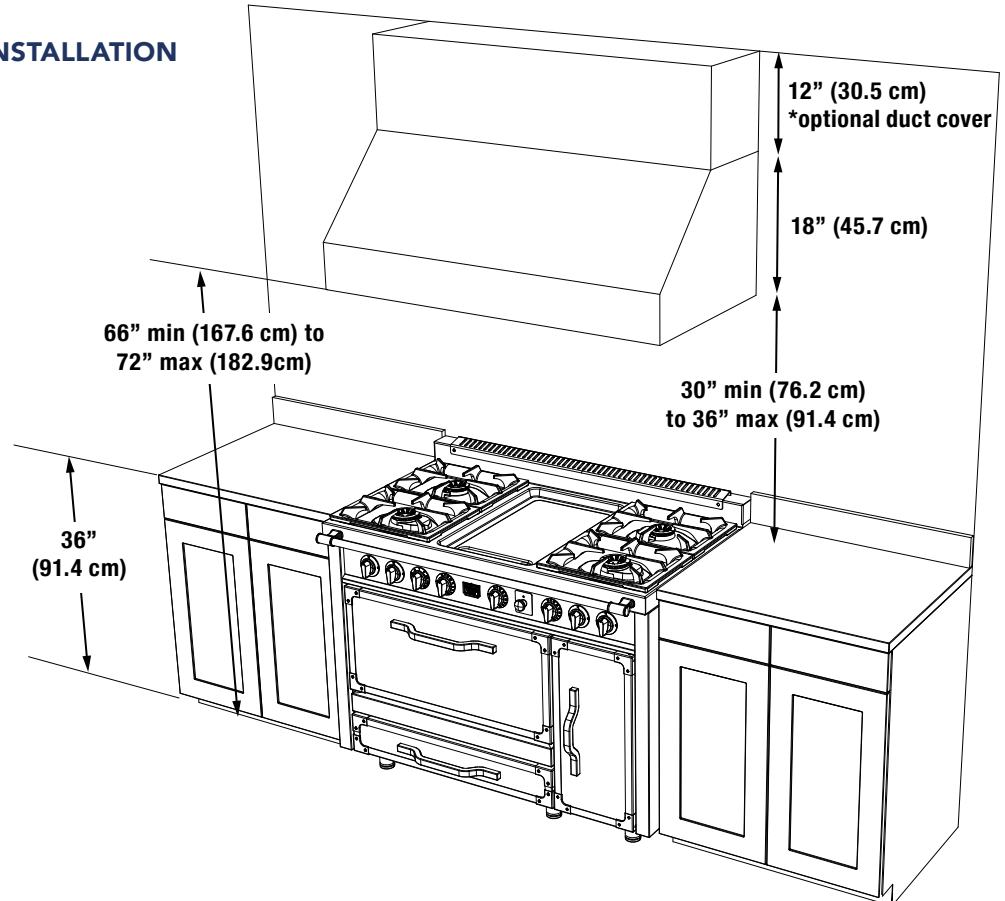


CLEARANCE DIMENSIONS

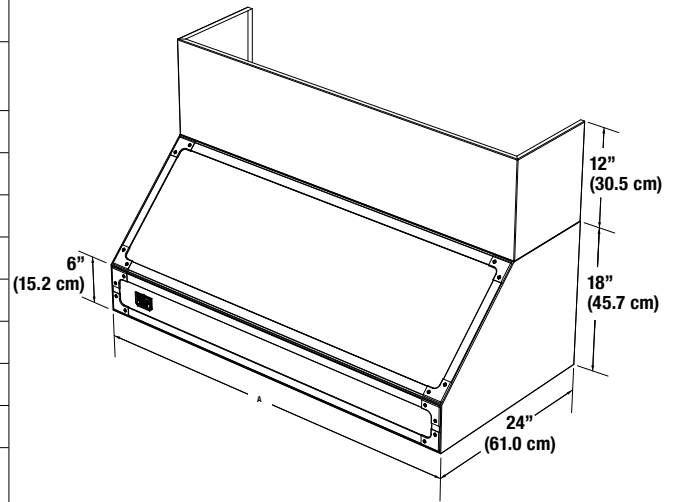
Range Width	Cutout Width
35-7/8" (91.1 cm)	36"W. (92 cm)
47-7/8" (121.6 cm)	48"W. (122 cm)
66" (167.6 cm)	66-1/8"W. (168 cm)



WALL INSTALLATION



TUSCANY 18"H. HOODS			
Description	36" W.	48" W.	66" W.
Duct cover width	35-7/8" (91.1cm)	47-7/8" (121.6 cm)	65-7/8" (167.3 cm)
Duct cover depth	12" (30.5 cm)		
Duct cover height	12" (30.5 cm)		
Number of lights	2	3	
Number of filters	2	3	
Heat lamps	1	2	
Interior ventilator kits	VINV300/600/1200	VINV1200	
Exterior ventilator kits	DEV900/1200*	DEV1200*/1500**	
In-line ventilator kits	DIL1200		
Interior duct size	7"/10" (17.8/25.4 cm)	10" (25.4 cm)	
Exterior duct size	10" (24.5 cm)		
Interior—Max amps	4.2/5.2/8.2	10.8	
Exterior—Max amps	8.0/5.3	7.8/8.5	
In-Line—Max amps	5.3/7.2	9.6	



A	
36"W.	35 7/8" (91.1 cm)
48"W.	47 7/8" (121.6 cm)
66"W.	65 7/8" (167.3 cm)

- It is recommended that the 1,500 CFM ventilator be used with longer duct runs. Max duct run is 75 ft.
- NOTE: Maximum amp rating for hoods includes recommended ventilator kit rating; All products must be hard wired with 2-wire with ground. An interior- or exterior-power ventilator kit must be purchased for installation with all 18"H. hoods.

DISHWASHER	
Description	FDW Dishwashers
Overall Width	23-9/16" (59.8 cm)
Overall Height from Floor	33-7/8" (86.0 cm) minimum to 35 7/8" (91.1 cm) maximum
Overall Depth	To front of door panel: 22 3/16" (56.4 cm)
Cutout Width	24" (61.0 cm)
Cutout Height	34" (86.4 cm) minimum to 36" (91.4 cm) maximum
Cutout Depth	24" (61.0 cm)
Electrical Requirements	12.0 amps, 115V/60Hz; 4" (120cm) electrical cord with 3-prong plug supplied with unit
Water-Heating Element Rating	1240 watts
Inlet Water Temperature	120°F (49°C) required
Drain Hose	6.4' (1.9m) drain hose provided
Drain Hose High Loop Required	Height from floor – 28" (71.0 cm)
Approximate Shipping Weight	97 lb. (44 kg)

