

SOLID AND FRAMED GLASS OVERLAY PANEL UNITS

ADA-Compliant door overlay panel shown. For other panel options, please see “Optional Installation Rough Openings & Plan Views” starting on page 21.

For custom panel specifications, please see “Custom Overlay Panel Specifications” starting on page 25.

REFRIGERATORS



TURADA-24-R/L-RS-A~0



TURADA-24-R/L-RG-A~0

WINE CABINET



TUWADA-24-R/L-RS-A~0



TUWADA-24-R/L-RG-A~0

BEVERAGE CENTERS

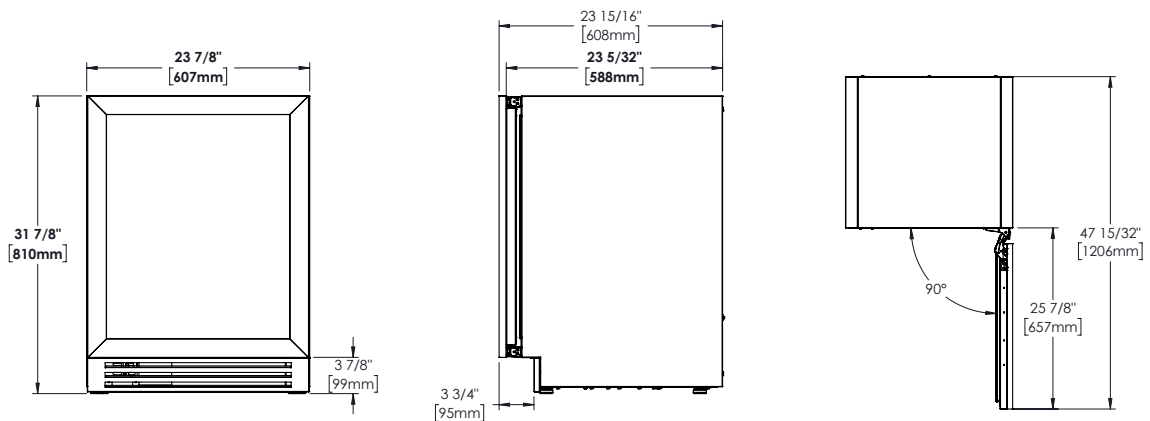


TUBADA-24-R/L-RS-A~0



TUBADA-24-R/L-RG-A~0

PLAN VIEW DIMENSIONS\*



\*Depth measurement includes 3/4" thick panel (not provided by TRUE).  
Dimensions may vary by ± 1/8" (3.2 mm)

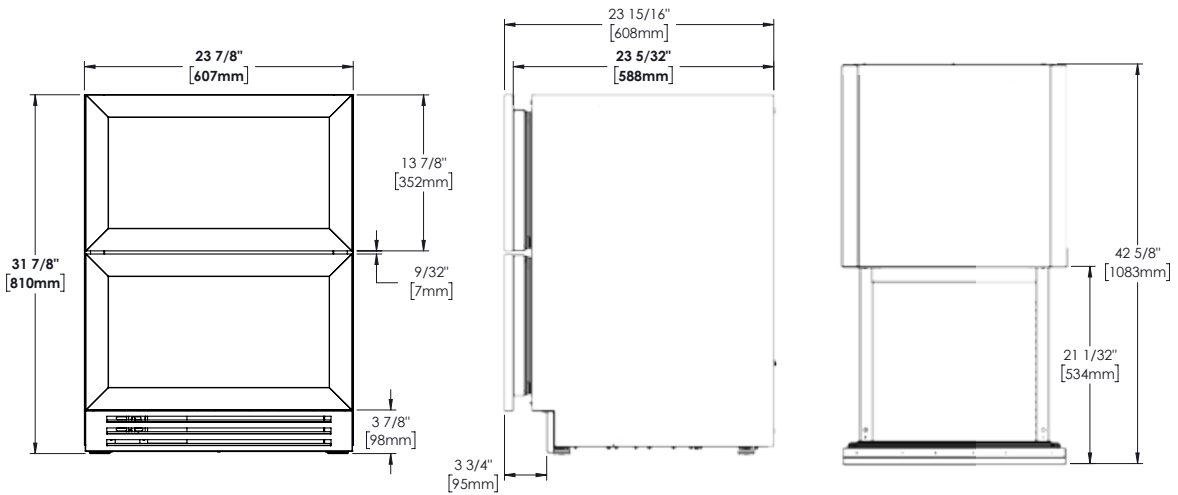
OVERLAY PANEL DRAWER UNITS

REFRIGERATOR



TURADA-24-D-A-0

PLAN VIEW DIMENSIONS\*



\*Depth measurement includes 3/4" thick panel (not provided by TRUE).  
 Dimensions may vary by ± 1/8" (3.2 mm)

**OPTIONAL INSTALLATION ROUGH OPENING & PLAN VIEWS**  
**[34-1/2" (877 MM) OPENING]**

Optional installations use combinations of 2-1/2" (64 mm) leveling legs, 6" (153 mm) grill, and custom overlay panels to raise (or appear to raise) the overall height of the unit. For standard installation rough openings & plan views, see page 16. This section shows the cabinet specifications for the following configurations:

- A.** 2-1/2" leveling legs and 6" grill (stainless steel unit)
- B.** 2-1/2" leveling legs, 6" grill, and standard door overlay panel
- C.** 2-1/2" leveling legs, 6" grill, and tall door overlay panel
- D.** Standard leveling legs and tall door overlay panel

**OPTIONAL INSTALLATION ROUGH OPENING**

Please see the recommended dimensions for a nonstandard rough opening below. The height includes 2-1/2" (64 mm) leveling legs in the measure. For unit specifications, please see "Optional Installation Plan Views" starting on page 21.

**ANTI-SWEAT FOAM END PANELS**

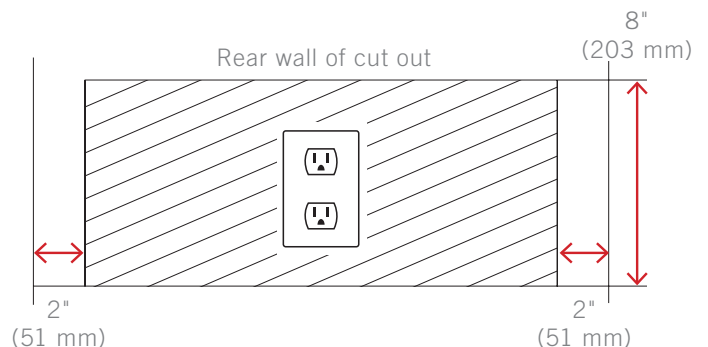
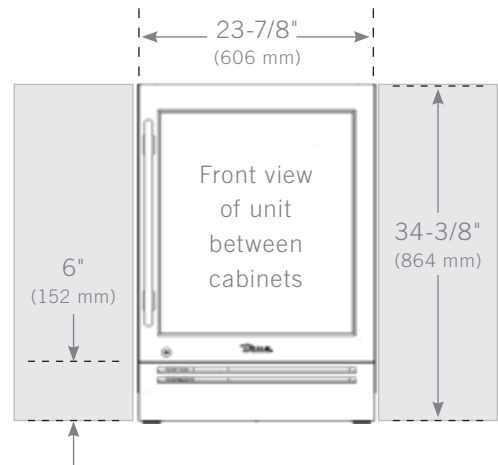
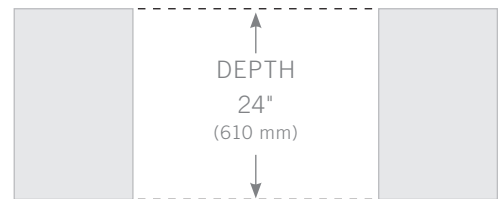
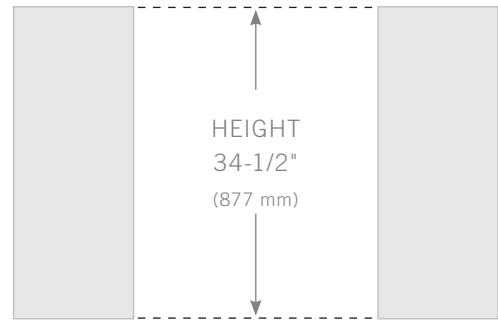
When installing two or more True units side-by-side, be sure to leave at least 5/8" (16 mm) gap between the cabinets, or install foam pads between the cabinets and on any side with 0" clearance, to prevent moisture from developing on applications.

If installing ant-sweat foam end panels, True recommends applying a panel to each of the units being joined together. To order foam pads, contact our parts department at **844-849-6226** or **TrueResidentialParts@TrueMfg.com**.

**CUTOUT OPENINGS**

To minimize the depth of the cutout opening, the electrical outlet must be positioned as shown below. Outlet must be flush with the wall.

**ROUGH OPENING**



## OPTIONAL INSTALLATION PLAN VIEWS

### A & B. 2-1/2" (64 MM) LEVELING LEGS WITH 6" (153 MM) GRILL AND STANDARD DOOR (OVERLAY PANEL)

To order a 6" (153 mm) grill (stainless steel or black) or the 2-1/2" (64 mm) leveling legs please contact our parts department at **844-849-6226** or **TrueResidentialParts@TrueMfg.com**. For custom panel specifications, please see "Custom Overlay Panel Specifications" starting on page 25.

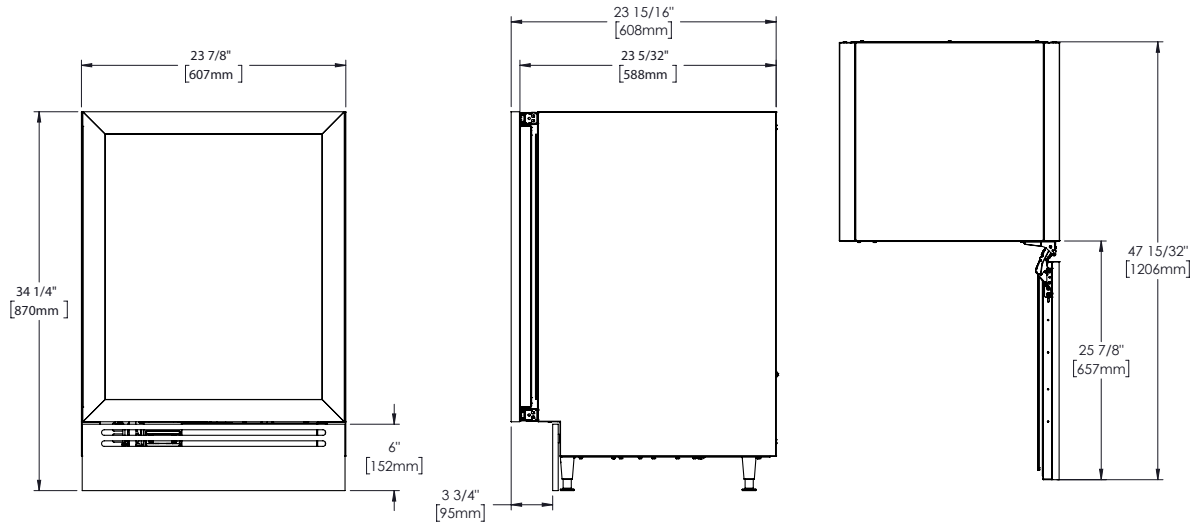


TURADA-24-R/L-RS-A~S



TURADA-24-R/L-RS-A~0

### PLAN VIEW DIMENSIONS \*



\*Depth measurement includes 3/4" thick panel (not provided by TRUE).  
Dimensions may vary by ± 1/8" (3.2 mm)

## OPTIONAL INSTALLATION PLAN VIEWS

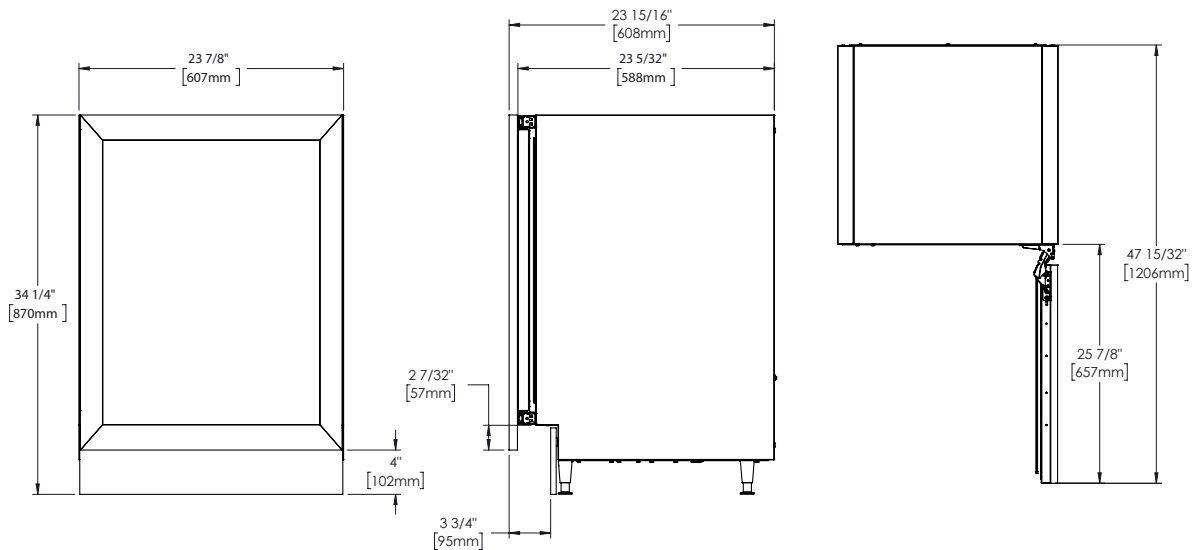
### C. 2-1/2" (64 MM) LEVELING LEGS WITH 6" (153 MM) GRILL AND TALL DOOR OVERLAY PANEL (DOOR EXTENDS DOWN)

To order the stainless steel 6" grill or the 2-1/2" (64 mm) leveling legs please contact our parts department at **844-849-6226** or [TrueResidentialParts@TrueMfg.com](mailto:TrueResidentialParts@TrueMfg.com). For custom panel specifications, please see "Custom Overlay Panel Specifications" starting on page 25.



TURADA-24-R/L-RS-A~0

#### PLAN VIEW DIMENSIONS \*



\*Depth measurement includes 3/4" thick panel (not provided by TRUE).  
Dimensions may vary by  $\pm 1/8''$  (3.2 mm)

## OPTIONAL INSTALLATION PLAN VIEWS

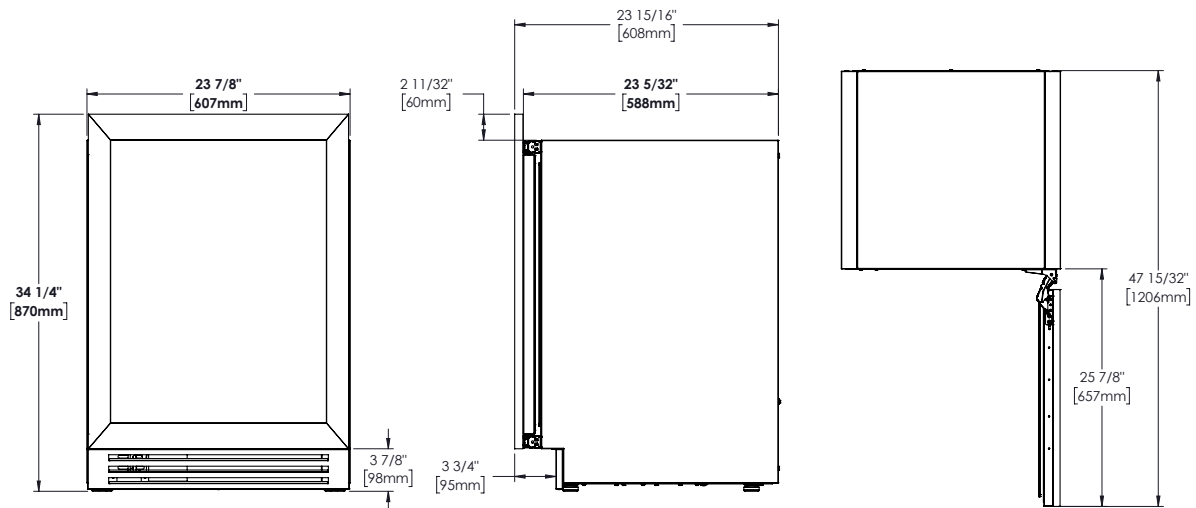
### D. STANDARD LEVELING LEGS WITH TALL DOOR OVERLAY PANEL (DOOR EXTENDS UP)

For custom panel specifications, please see "Custom Overlay Panel Specifications" starting on page 25.



TUBADA-24-R/L-RS-A~0

#### PLAN VIEW DIMENSIONS\*



\*Depth measurement includes 3/4" thick panel (not provided by TRUE).  
Dimensions may vary by ± 1/8" (3.2 mm)

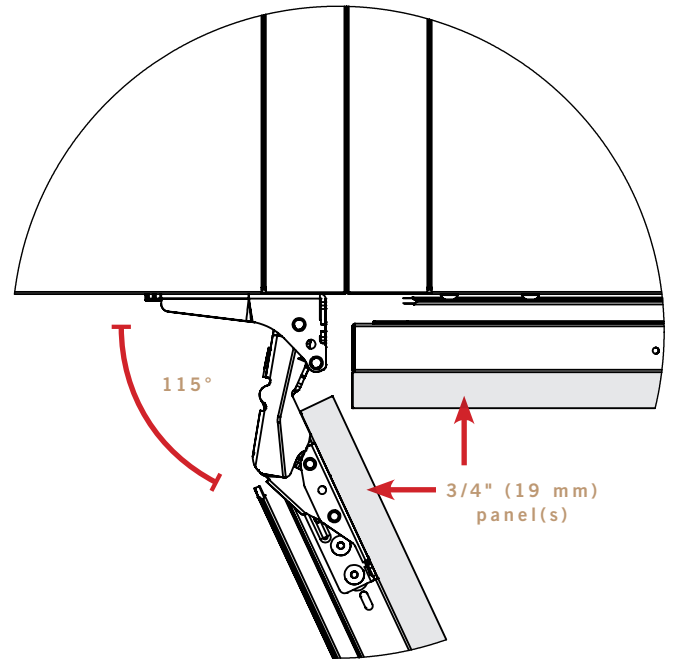
CUSTOM OVERLAY PANEL SPECIFICATIONS

Overlay units can be fitted with custom panels to match adjacent cabinetry. Please see this section for recommended panel specifications.

**NOTE: PANEL HEIGHT CAN EXCEED THESE RECOMMENDATIONS BASED ON ROUGH OPENING SIZE AND CABINET SPECIFICATIONS.**

True units assume 3/4" (19mm) thick overlay panels of the specified width (see specifications tables) to be supplied by the end user or others. Thicker/wider panels increase the potential for panel interference. See fig. 1.

**NOTE: THIS INTERFERENCE CAN BE MINIMIZED WITH A 90° DOORSTOP. SEE "90° DOORSTOP INSTALLATION" (PAGE #).**



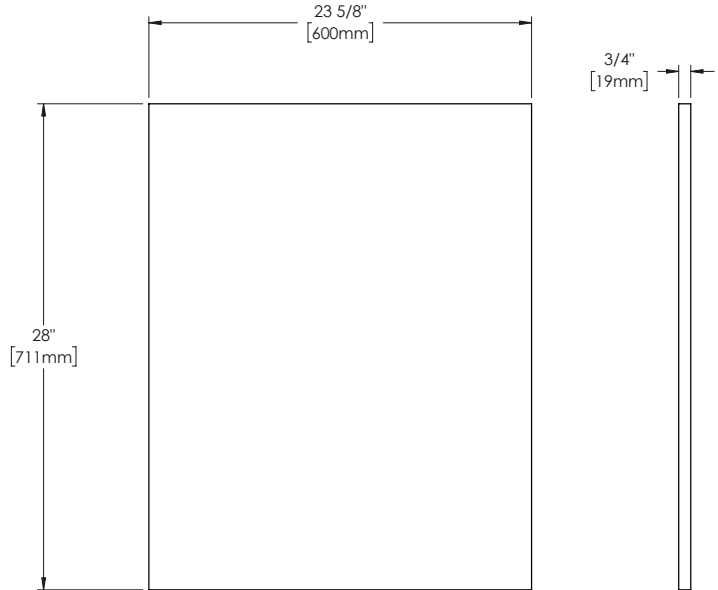
**FIG. 1.** Panels 3/4" (19 mm) thick are designed to not interfere with surrounding units or cabinetry.

## OPTIONAL INSTALLATION

### STANDARD SOLID DOOR OVERLAY PANEL – OPTIONAL INSTALLATIONS A & B

For panel installation instructions, please see “Door Overlay Panel Installation” (page 44). For optional lock installation instructions, please see “Optional Lock Installation” (page 42).

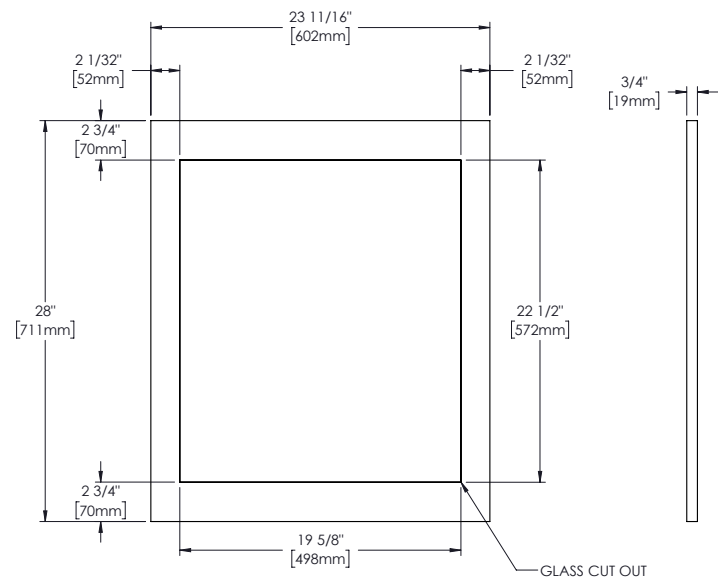
SPECIFICATIONS	
Panel Width	23-5/8" (600 mm)
Panel Height	28" (711 mm)
Panel Depth	3/4" (19 mm) max
Panel Weight	10 lbs (4.5 kg) max
Rail Style Dimension	2" (50.8 mm) max



### STANDARD FRAMED GLASS DOOR OVERLAY PANEL – OPTIONAL INSTALLATIONS A & B

For panel installation instructions, please see “Door Overlay Panel Installation” (page 44).

SPECIFICATIONS	
Panel Width	23-11/16" (602 mm)
Panel Height	28" (711 mm)
Panel Depth	3/4" (19 mm) max
Panel Weight	10 lbs (4.5 kg) max
Rail Style Dimension	2" (50.8 mm) max
Viewable Area Width	19-5/8" (498 mm)
Viewable Area Height	22-1/2" (572 mm)





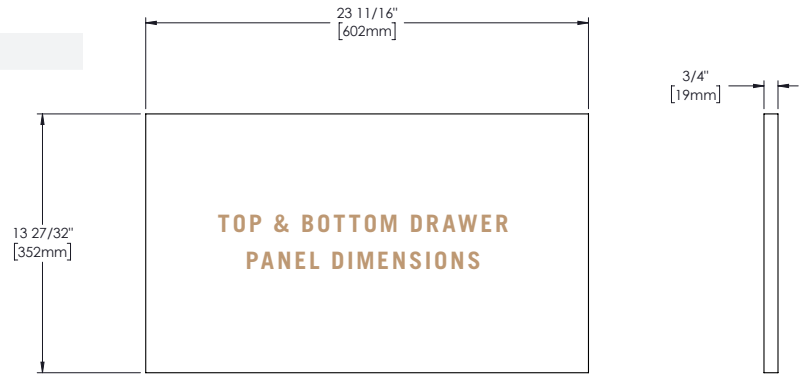
## OPTIONAL INSTALLATION

### DRAWER OVERLAY PANEL

For panel installation instructions, please see “Drawer Overlay Panel Installation” (page 46).

#### SPECIFICATIONS

Panel Width	23-11/16" (602 mm)
Panel Height	13-27/32" (352 mm)
Panel Depth	3/4" (19 mm) max

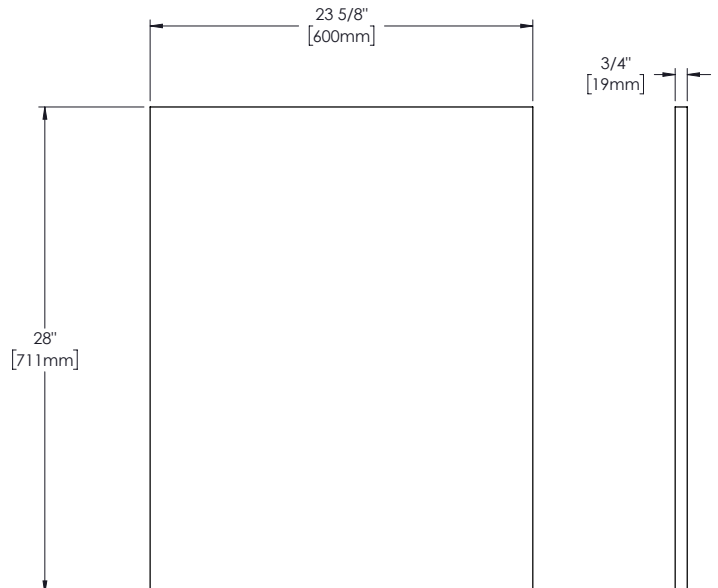


### TALL DOOR OVERLAY PANEL – OPTIONAL INSTALLATIONS C & D

Overlay units can be fitted with custom panels to match adjacent cabinetry. For example, the tall door overlay panel can extend the apparent height of the unit or disguise the actual height of a 6" (600 mm) grill. For more detail, please see “Optional Installations Rough Opening & Plan Views” starting on page 21. Please see below for panel specifications.

#### SPECIFICATIONS

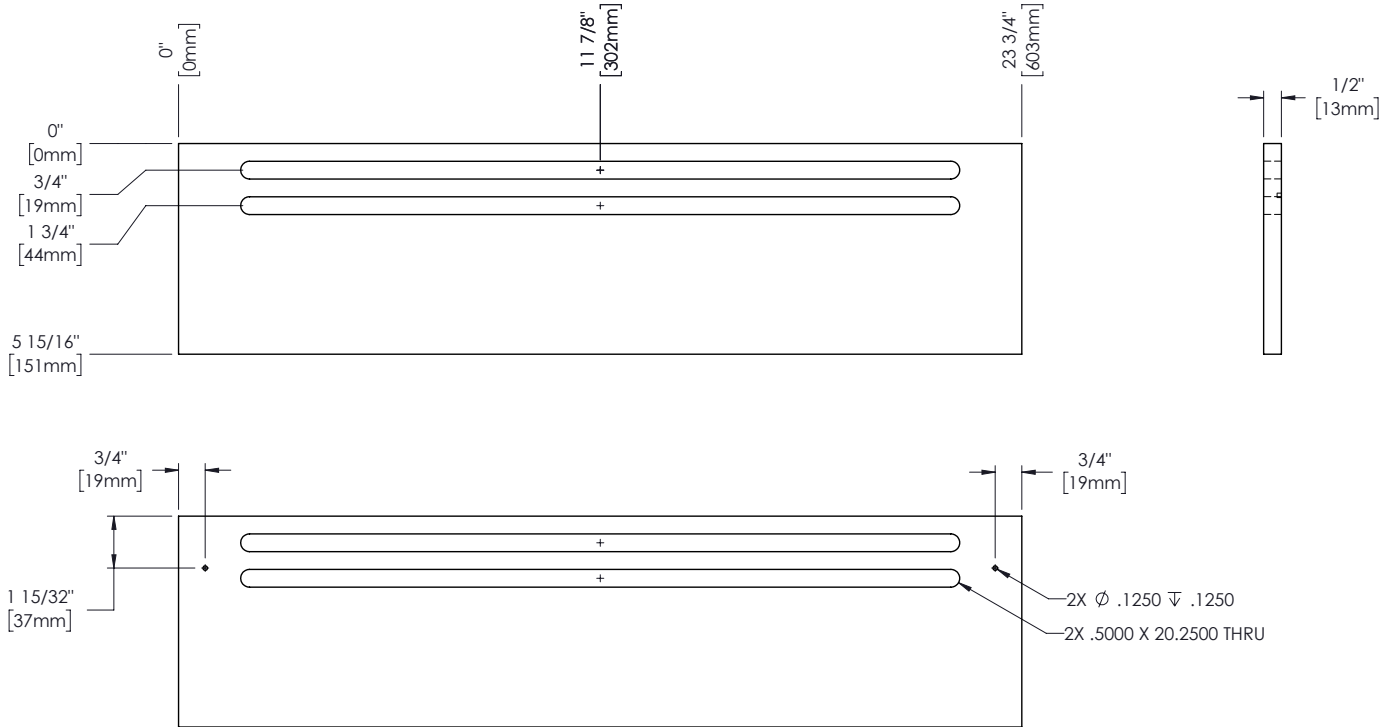
Panel Width	23-5/8" (600 mm)
Panel Height	30" (762 mm)
Panel Depth	3/4" (19 mm)
Panel Weight	10 lbs (4.5 kg) max
Rail Style Dimension	2" (50.8 mm) max



## OPTIONAL INSTALLATION

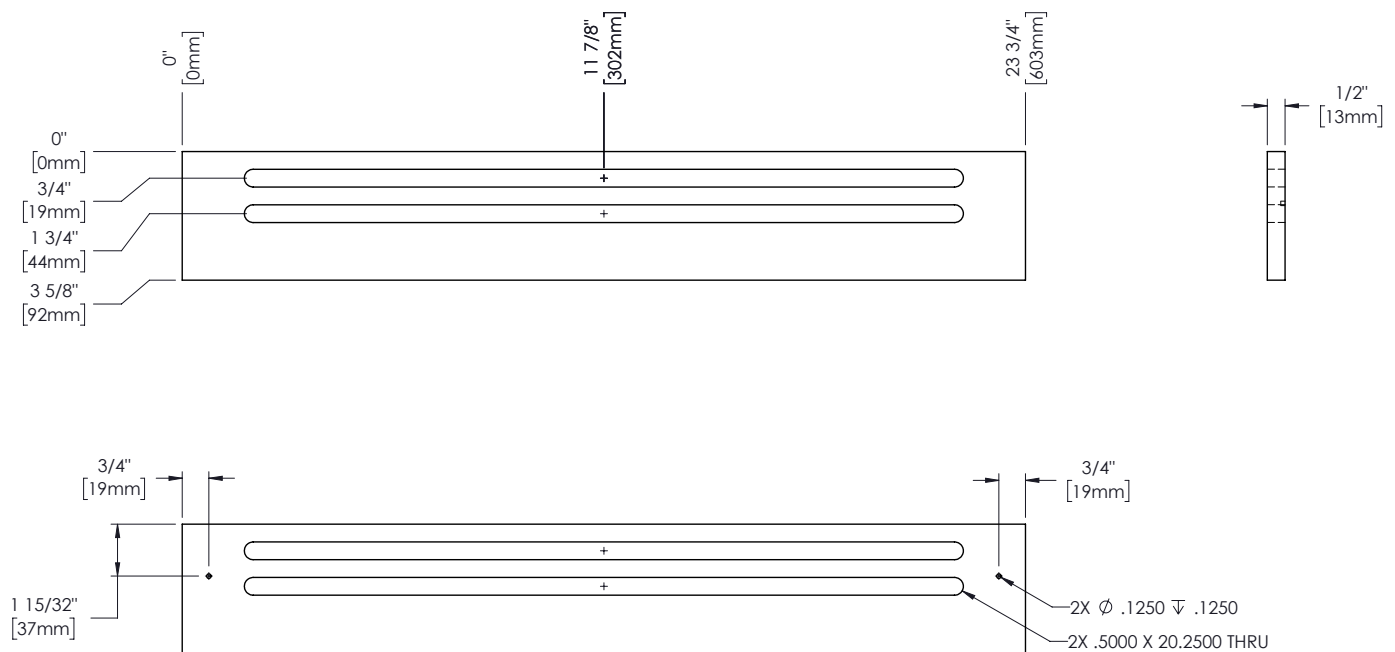
### 6" (153 MM) OVERLAY LOUVER GRILL TEMPLATE – OPTIONAL INSTALLATIONS A, B, & C

2-1/2" (64 mm) leveling legs create a visible gap between the bottom of the grill and the floor. To conceal this gap with overlay, please see the custom overlay louver grill template below.



### STANDARD OVERLAY LOUVER GRILL TEMPLATE – OPTIONAL INSTALLATION D

If so desired, you can replace the kickplate with a custom overlay louver grill. Please see the template below.



ADDITIONAL DOOR OVERLAY PANEL INFORMATION

- Custom door overlay panels must be at least 23-5/8" (600 mm) x 28" (711 mm) x 3/4" (19 mm) to cover the panel-ready door front. Your panel dimensions may vary based on the rough opening size and / or adjacent cabinetry specifications.
- For correct hinge operation, be sure to install door overlay panels with its hinge side aligned flush with the door front's hinge side.
- Doors have pre-drilled holes to assist overlay panel installation. See fig. 1.

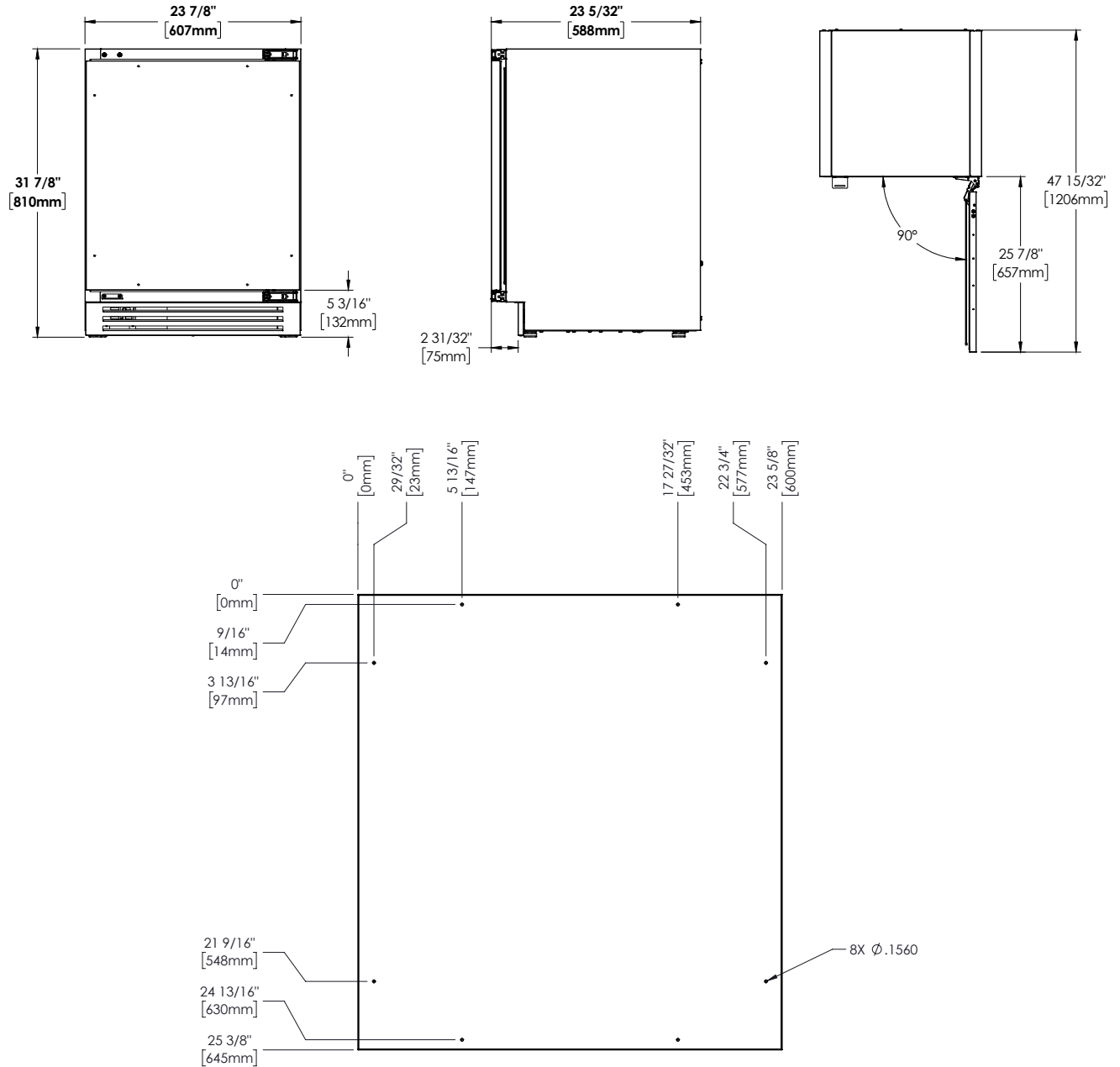


FIG. 1. Door front pre-drilled hole locations and measurements.

ADDITIONAL DRAWER OVERLAY PANEL INFORMATION

- Custom drawer overlay panels must be at least 23-7/8" (607 mm) x 13-5/8" (346 mm) x 3/4" (19 mm) to cover the panel-ready door front. Your panel dimensions may vary based on the rough opening size and / or adjacent cabinetry specifications.
- Drawer fronts have pre-drilled holes to assist overlay panel installation. See fig 2.

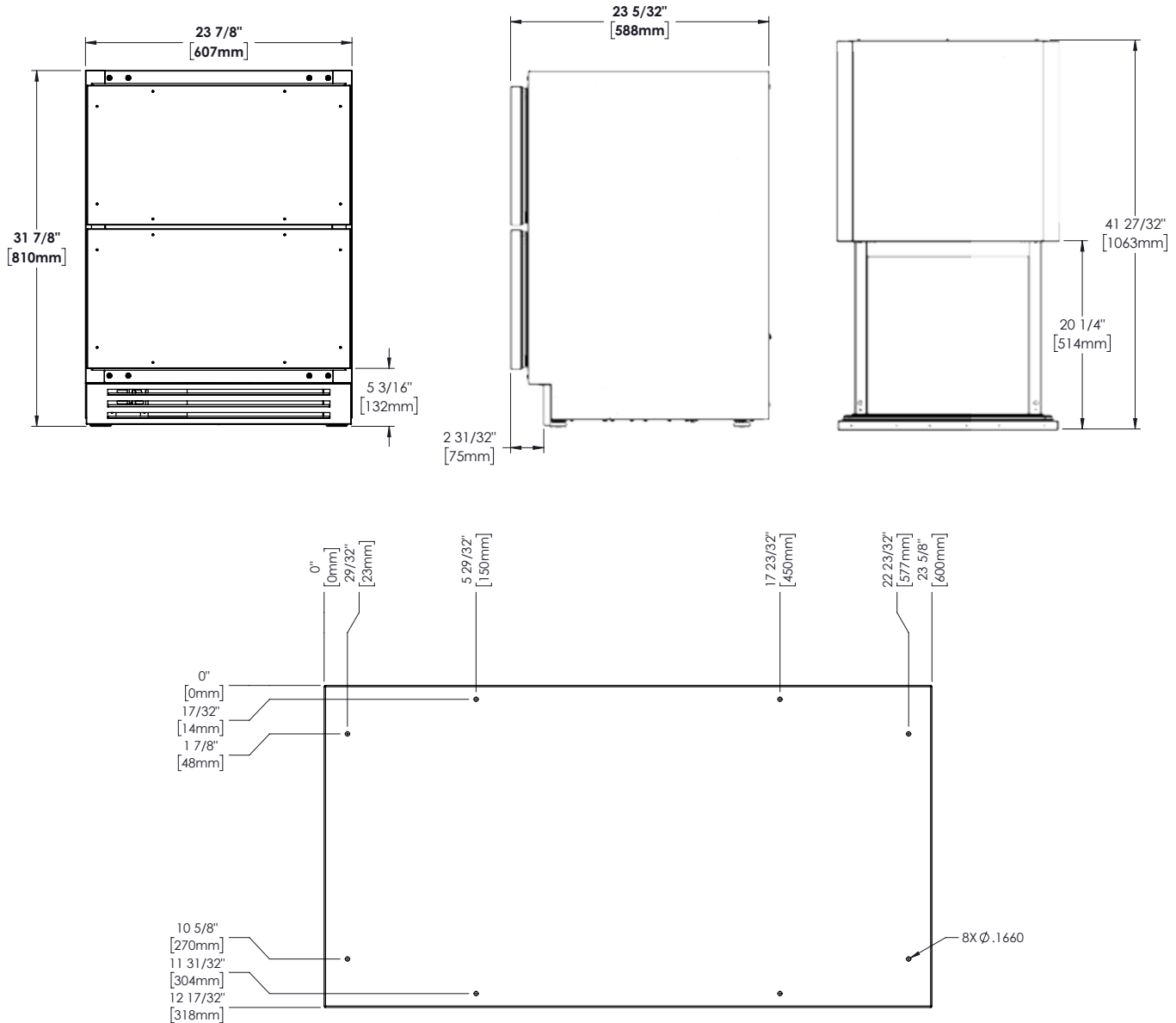


FIG. 2. Drawer front pre-drilled hole locations and measurements.