

The background of the entire page is a close-up, high-angle photograph of a black gas range hood. The hood's surface is visible in the foreground, and several burners are lit with bright blue flames. The lighting is dramatic, with the blue of the flames contrasting against the dark, metallic-looking surfaces of the hood. The overall mood is professional and modern.

THOR
K I T C H E N[®]

INSTALLATION INSTRUCTIONS

**TRH PROFESSIONAL WALL
MOUNTED RANGE HOOD**

TRH MODELS

TRH3035 | TRH3635

TRH3035B | TRH3635B

TRH3035W | TRH3635W

INSTALLATION INSTRUCTIONS MANUAL

TRH PROFESSIONAL WALL MOUNTED RANGE HOOD

TRH MODELS

TRH3035 TRH3635

TRH3035B TRH3635B

TRH3035W TRH3635W

THOR
K I T C H E N[®]

TABLE OF CONTENTS

IMPORTANT SAFETY NOTICE	4
1.1 Read and Save These Instructions	4
1.2 Electrical Requirements	6
PRODUCT FEATURES / SPECIFICATION CHART	6
2.1 Product Features	6
2.2 Specification Chart	7
2.3 Circuit Diagram	7
2.4 Hood Specifications	8
EXPLODED DIAGRAM	9
LIST OF MATERIALS	10
3.1 Parts Supplied	10
INSTALLATION GUIDELINES	10
4.1 Location	10
4.2 Exhaust Duct	10
4.3 Position	11
INSTALLATION INSTRUCTIONS	12
BAFFLE FILTER INSTALLATION, REMOVAL AND MAINTENANCE	16
REPLACING LIGHT STRIP	17
WARRANTY	18

IMPORTANT SAFETY NOTICE

1.1 Read and Save These Instructions

⚠ WARNING

To reduce the risk of fire or electric shock, do not use this fan with any solid-state control device.

CAUTION

For general ventilating use only. Do not use to exhaust hazardous or explosive materials and vapors.

⚠ WARNING

To reduce the risk of fire, electric shock, or injury to persons, observe the following.

- a. Use this unit only in the manner intended by the manufacturer. If you have questions, contact the manufacturer.
- b. Before servicing or cleaning the unit, turn off the power at the service panel and lock the service disconnect to prevent accidental power activation. If locking the disconnect is not possible, securely attach a prominent warning device, such as a tag, to the service panel.

⚠ WARNING

To reduce the risk of a range top grease fire:

- a. Never leave surface units unattended at high settings. Boilovers cause smoking and greasy spillovers that may ignite. Heat oils slowly on low or medium settings.
- b. Always turn the hood ON when cooking at high heat or when flambeing food (i.e. Crepes Suzette, Cherries Jubilee, Peppercorn Beef Flambe).
- c. Clean ventilating fans frequently. Grease should not be allowed to accumulate on fan or filter.
- d. Use proper pan sizes. Always use cookware appropriate for the size of the surface element.

⚠ WARNING

To reduce the risk of injury to persons in the event of a range top grease fire, observe the following*.

- a. SMOTHER FLAMES with a close-fitting lid, cookie sheet, or metal tray, then turn off the burner. BE CAREFUL TO PREVENT BURNS. If the flames do not go out immediately, EVACUATE AND CALL THE FIRE DEPARTMENT.
- b. NEVER PICK UP A FLAMING PAN - You may be burned.
- c. DO NOT USE WATER, including wet dishcloths or towels - a violent steam explosion will result.
- c. Use an extinguisher ONLY if:
 1. You know you have a Class ABC extinguisher, and you already know how to operate it.
 2. The fire is small and contained in the area where it started.
 3. The fire department is being called.
 4. You can fight the fire with your back to an exit.

* Based on "Kitchen Fire Safety Tips" published by NFPA.

IMPORTANT SAFETY NOTICE

⚠ WARNING

To reduce the risk of fire, electric shock, or injury to persons, observe the following:

- a. Installation work and electrical wiring must be done by qualified person (s) in accordance with all applicable codes and standards, including fire - rated construction.
- b. Sufficient air is needed for proper combustion and exhausting of gases through the flue (chimney) of fuel burning equipment to prevent back drafting. Follow the heating equipment manufacturer's guideline and safety standards such as those published by the National Fire Protection Association (NFPA), and the American Society for Heating, Refrigeration and Air Conditioning Engineers (ASHRAE), and the local code authorities.
- c. When cutting or drilling into wall or ceiling, do not damage electrical wiring and other hidden utilities.
- d. Ducted fans must always be vented to the outdoors.
- e. NEVER place a switch where it can be reached from a tub or shower.
- f. Make sure the power is off before installing, wiring or maintaining.

To Reduce The Risk Of Fire, Electric Shock Or Injury To Persons, Do Not Use Replacement Parts That Have Not Been Recommended By The Manufacturer (e.g. Parts Made At Home Using A 3D Printer).

⚠ WARNING

To reduce the risk of fire, use only metal ductwork.

CAUTION

To reduce risk of fire and to properly exhaust air outside - Do not vent exhaust air into spaces within walls, ceilings, attics, crawl spaces or garages.

⚠ WARNING

GROUNDING INSTRUCTIONS

This appliance must be grounded. In the event of an electrical short circuit, grounding reduces the risk of electric shock by providing an escape wire for the electric current. This appliance is equipped with a cord having a grounding wire with a grounding plug. The plug must be plugged into an outlet that is properly installed and grounded.

WARNING - Improper grounding can result in a risk of electric shock.

Consult a qualified electrician if the grounding instructions are not completely understood, or if doubt exists as to whether the appliance is properly grounded.

Do not use an extension cord. If the power supply cord is too short, have a qualified electrician install an outlet near the appliance.

OPERATION

Always leave safety grilles and filters in place. Without these components, operating blowers could catch onto hair, fingers and loose clothing. The manufacturer declines all responsibility in the event of failure to observe the instructions given here for installation, maintenance and suitable use of the product. The manufacturer further declines all responsibility for injury due to negligence and the warranty of the unit automatically expires due to improper maintenance.

CALIFORNIA PROPOSITION 65 WARNING

⚠ WARNING

This appliance contains chemicals known to the State of California to cause cancer and/or reproductive harm, and birth defects or other reproductive harm. For more information go to www.P65Warnings.ca.gov.

IMPORTANT SAFETY NOTICE

1.2 Electrical Requirements

Important: Observe all governing codes and ordinances.

It is the customer's responsibility.

- To contact a qualified electrical installer.
- To assure that the electrical installation is adequate and in conformance with National Electrical Code, ANSI/NFPA 70 latest edition* or CSA standards C22.1-94, Canadian Electrical Code, Part 1 and C22.2 No.0-M91 - latest edition** and all local codes and ordinances.

* National Fire Protection Association Batterymarch Park, Quincy, Massachusetts 02269

** CSA International 8501 East Pleasant Valley Road, Cleveland, Ohio 44131-5575

If codes permit and a separate ground wire is used, it is recommended that a qualified electrician determine that the ground path is adequate.

Do not ground to a gas pipe.

Check with a qualified electrician if you are not sure the range hood is properly grounded.

Do not have a fuse in the neutral or ground circuit.

This appliance requires a 120V / 60Hz electrical supply and connected to an individual properly grounded branch circuit protected by a 15 ampere circuit breaker or time delay fuse. Wiring must be 2 wire with ground. Please also refer to Electrical Diagram on product.

A cable locking connector (not supplied) might also be required by local codes.

Check with local requirements, purchase and install appropriate connector if necessary.


PRODUCT FEATURES / SPECIFICATION CHART

2.1 Product Features

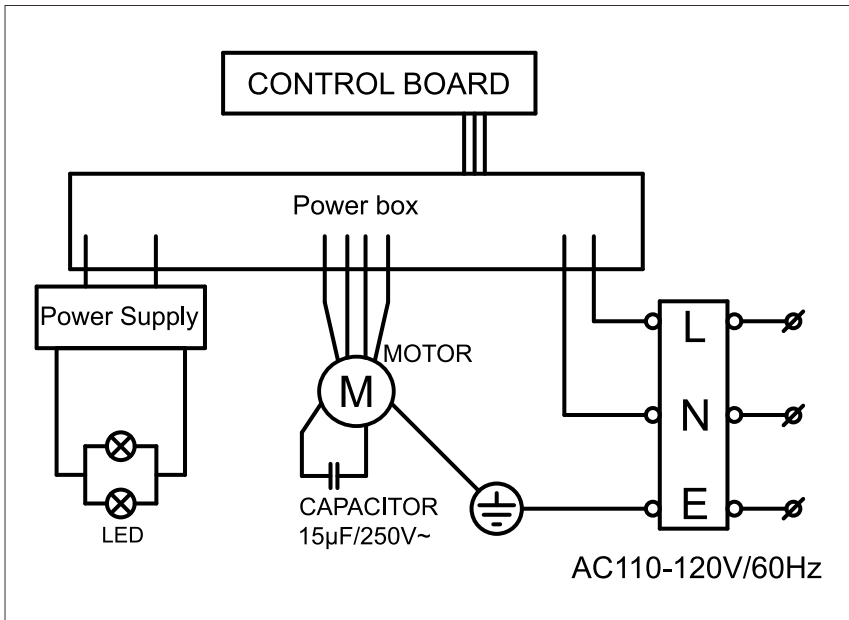
1. Efficient 350 CFM Ventilation
2. Easy Push Button Controls
3. Bright, Energy-Saving LED Lights
4. Removable baffle filters
5. Three-Speed Fan Settings
6. Delay off
7. Dual Installation Options (Ducted or Ductless)

PRODUCT FEATURES / SPECIFICATION CHART

2.2 Specification Chart

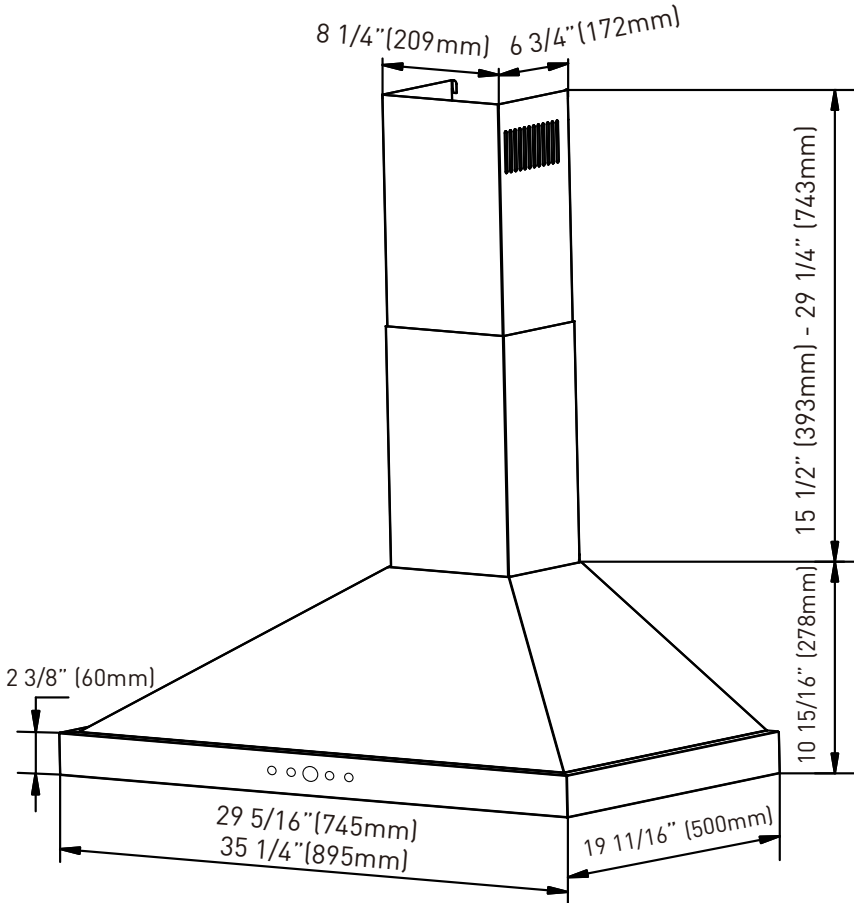
Models	TRH3035 / TRH3635 / TRH3035B TRH3635B / TRH3035W / TRH3635W
Net Weight (lbs)	24 [30 inch] / 27 [36 inch]
Measurement (inches)	TRH3035 / TRH3035B / TRH3035W : [W]29-5/16" [745mm] × [D]19-11/16" [500mm] × [H]26-7/16" [671mm] - 40-3/16" [1021mm] TRH3635 / TRH3635B / TRH3635W : [W]35-1/4" [895mm] × [D]19-11/16" [500mm] × [H]26-7/16" [671mm] - 40-3/16" [1021mm]
Maximum Voltage	120V-60Hz
Duct Shape / Size	Round 6 inch
Light	1.5W LED×2
Certification	

2.3 Circuit Diagram

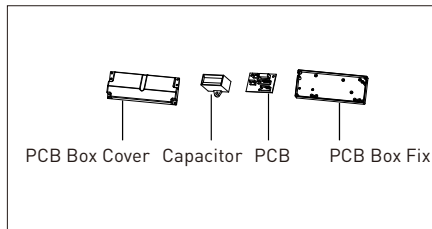
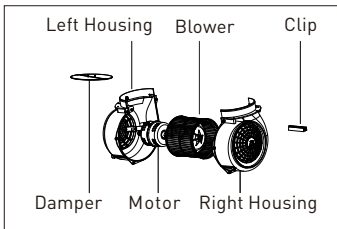
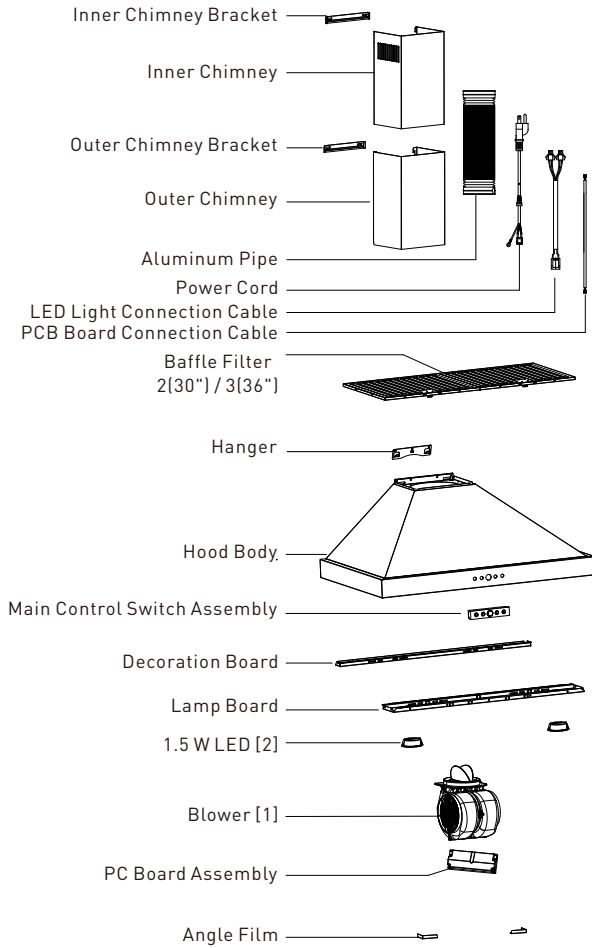


PRODUCT FEATURES / SPECIFICATION CHART

2.4 Hood Specifications

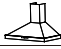














EXPLODED DIAGRAM



LIST OF MATERIALS

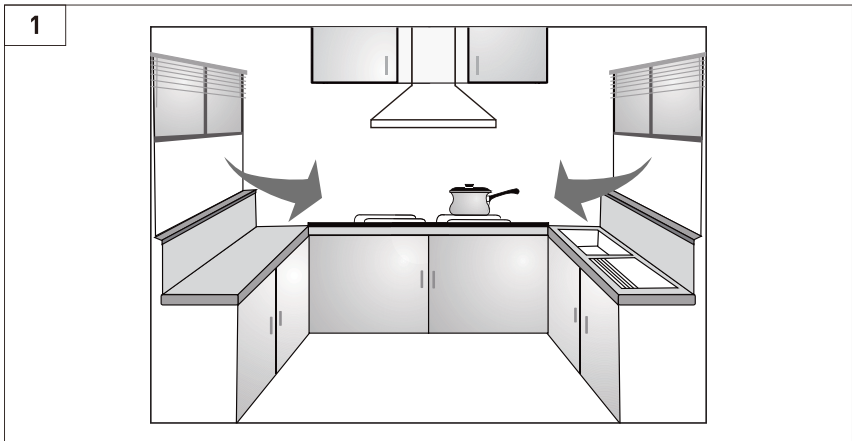
3.1 Parts Supplied

Standard configuration			Hardware package content		
Hood		1	St4×30		9
Installation Guide		1			
2m Aluminum Pipe (φ 150mm)		1	φ 5 × φ 8		9
Hardware Package		1			
Damper		2	St3×10		2
Inner Chimney Bracket		1			
Outer Chimney Bracket		1			
Hanger		1			

INSTALLATION GUIDELINES

4.1 Location

- Air turbulence from window/door may reduce the effectiveness of hood. It is suggested to close window/door before using hood. (FIG.1)
- The smoke has to rise up to 10 inches from cook top in order to reach hood's suction efficiency range.



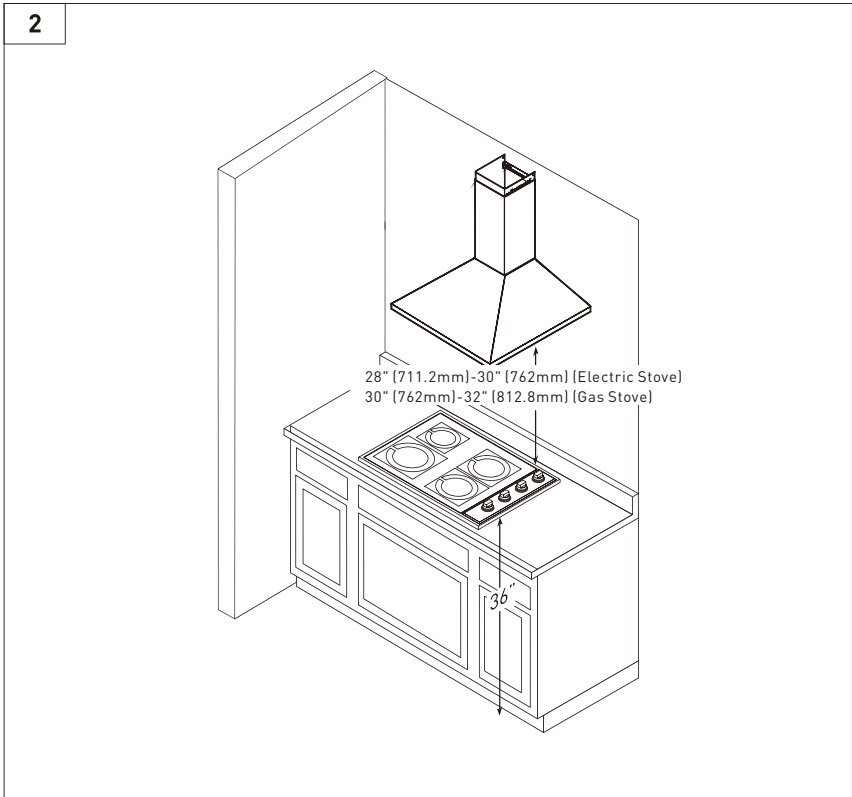
4.2 Exhaust duct

- 6" diameter exhaust duct is recommended to use in order to maximize suction efficiency reduce gap.
- Before installing the range hood, securely attach the **duct collar** to the vent opening on the top of the range hood using heat - resistant metal tape.
- Once the duct collar is in place, connect the exhaust duct to the collar and seal all joints with heat-resistant metal tape to ensure a tight, secure fit.
- Duct collar should be able to easily sourced from local hardware stores.

INSTALLATION GUIDELINES

4.3 Position

- The installation height is measured vertically from the center of the hood's baffle filter to the surface of the cooktop.
- The min installation height is 28 inches and the max is 30 inches for electric hob, and the min installation height is 30 inches and the max is 32 inches for gas hob.(FIG.2)
- Avoid left-right or front-dropped inclination.



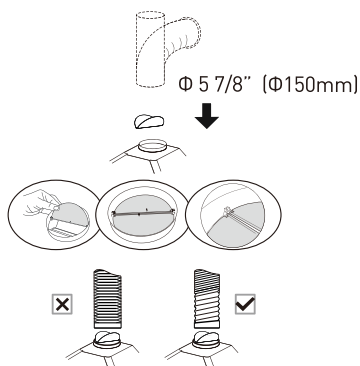
INSTALLATION INSTRUCTIONS

⚠ CAUTION

At least two installers are required due to the weight and size of the hood.

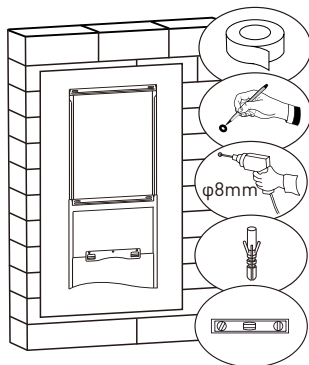
1. Remove all packing materials and protective film prior to installation. Use caution during installation to prevent scratches or damage to the stainless steel.
2. Insert the one-way valve as shown in the picture. (Ducted mode).
Attention: The bump of the one-way-valve must be upward.
The pipe near the air outlet need to be fully face.

3



3. Prepare pencil, electric drill, plastic wall anchors and level before installation.

4



CAUTION: Peel off the paper after drilling the holes.

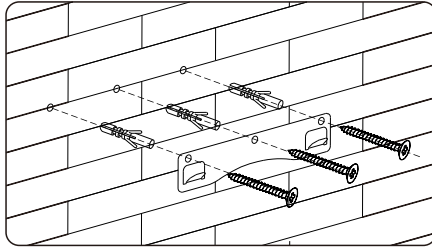
INSTALLATION INSTRUCTIONS

⚠ WARNING

Make sure the surface you are securing the liner to is capable of holding the weight of TRH. Failure to do so may cause personal injury or damage to cooking surface or counter.

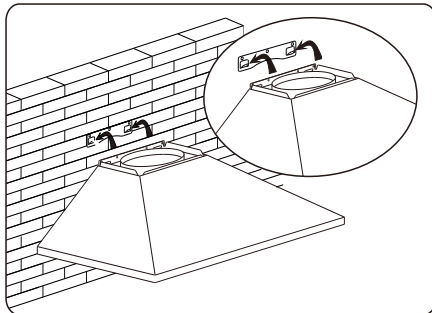
4. Drill 3 x 8mm holes to accommodate the bracket. Screw and tighten the hood onto the wall with the screws & plastic wall anchors provided.

5



5. Lift the hood and hang onto the wall hook.

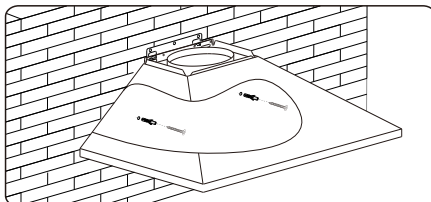
6



INSTALLATION INSTRUCTIONS

6. Drill 2 additional 8mm holes and insert plastic wall anchors. Fix the chimney bracket to the wall with screws.

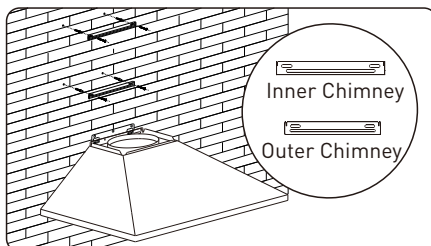
7



7. Mark the position and drill 2 holes for each chimney bracket and tighten the bracket with screws.

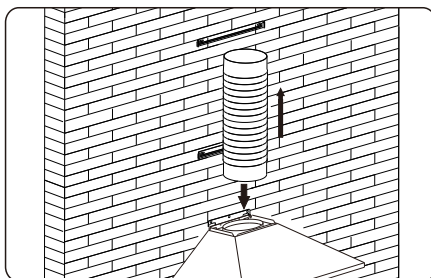
NOTICE The longer bracket is upper chimney bracket.

8



8. Fix the one-way-valve to the air outlet of the hood, and then attached the pipe onto the air outlet as shown in the picture.

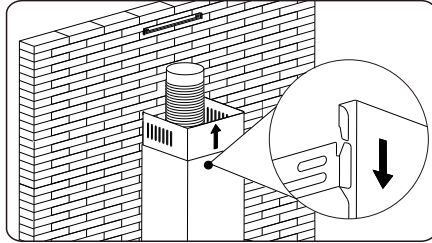
9



INSTALLATION INSTRUCTIONS

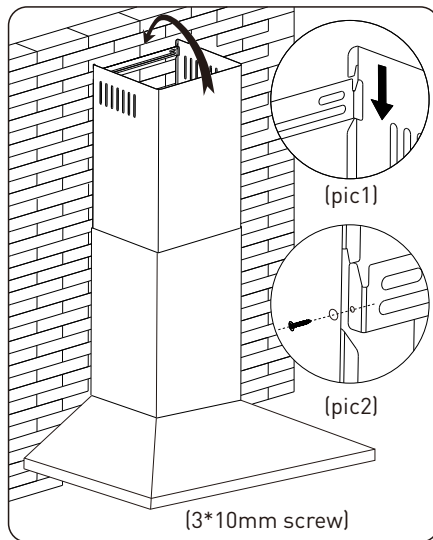
9. Put the upper chimney into lower chimney .Then pulling out the upper chimney upwards. Adjust to reach the height required.

10



10. Install the chimney cover using one of two methods shown.
Method A: After installing the bracket, hang the chimney cover by locking both side hooks (see Pic1).
Method B: After installing the bracket, secure the chimney cover with two screws on both sides (see Pic2).

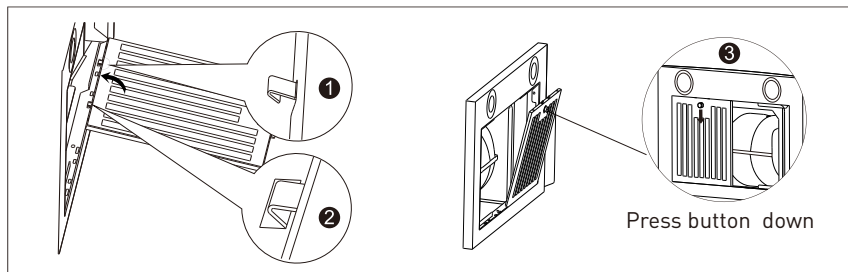
11



BAFFLE FILTER INSTALLATION, REMOVAL AND MAINTENANCE

Installing the Baffle Filters

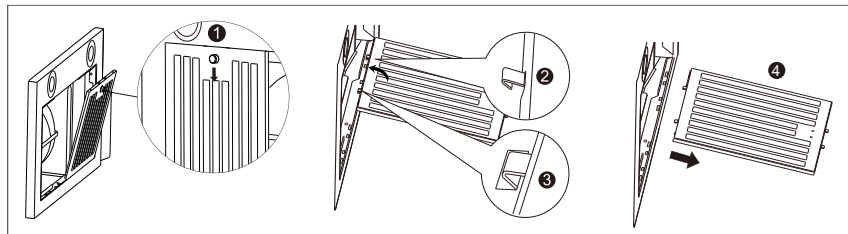
1. Ensure the filter handle is facing outward and will remain visible after installation.
2. Align the rear tabs of the filter with the corresponding slots inside the hood.
3. Press down the latch, insert the filter into position, and release the latch to secure it.
4. Confirm the filter is properly locked in place before using the hood.



Removing the Baffle Filters

1. Remove each grease filter individually by pressing down on the latch to disengage it.
2. Tilt the filter downward and carefully lift it out of the hood.

Note: Each filter should be removed individually, taking care to avoid contact with any sharp edges.



Cleaning the Baffle Filters

The filters are designed to capture grease and cooking residue. While they generally do not require replacement under normal use, they should be cleaned every 30 days, or more frequently depending on usage.

Filters can be cleaned either in the dishwasher on a low-heat setting or by soaking them in hot, soapy water.

Before reinstalling, ensure the filters are completely dry. Always handle with care, as the edges may be sharp.

Ensure the filters are thoroughly dried before reinstalling them into the hood.

Handle with Care: The edges of the filters may be sharp. Always handle them with care and consider wearing protective gloves to avoid cuts.

Cleaning Method:

Remove the filters according to the hood's instructions.

Soak them in hot, soapy water for 10–15 minutes.

Use a non-abrasive brush to gently scrub away grease and residue.

Rinse thoroughly and allow the filters to dry completely before reinstalling.

Dishwasher Safe (if applicable): If your filters are dishwasher safe, place them in the lower rack away from delicate items. Use a normal cycle with a degreasing detergent.

Do Not Use Harsh Chemicals: Avoid using bleach, ammonia, or other harsh chemicals that may damage the metal or compromise the filter's performance.

Inspect Regularly: Check for excessive grease build-up or any signs of damage. Replace the filters if they are deformed or no longer function effectively.

REPLACING LIGHT STRIP

LED Light:

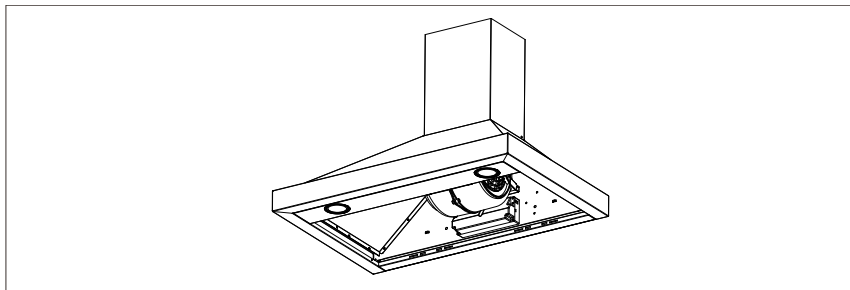
For LED light replacement or service, please contact Thor Kitchen customer service or parts department at (877) 288 - 8099.

⚠ WARNING

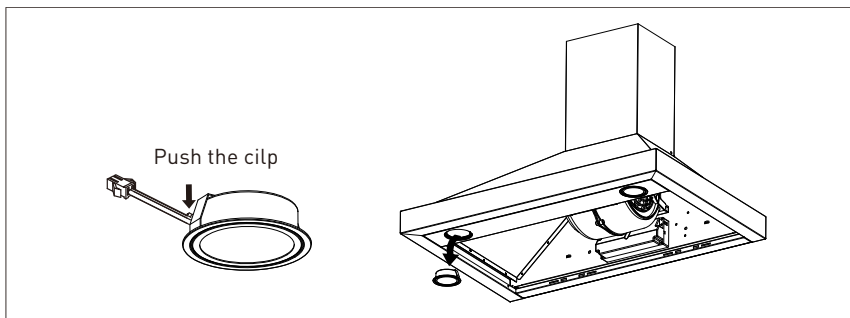
Improper installation, service, or maintenance may cause injury or damage. Refer to this manual for detailed instructions. All other service should be performed by an authorized service provider.

Failure to follow these instructions can result in serious injury, fire, or electrical shock.

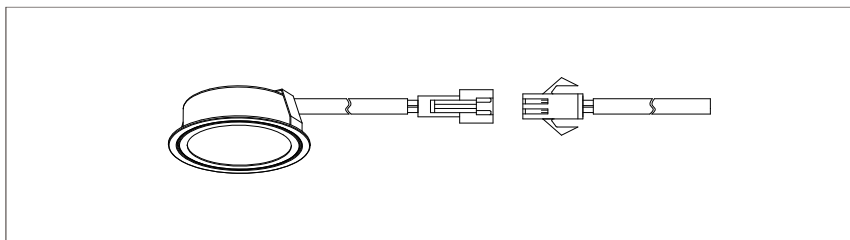
1. Turn off the power, leave it 10 minutes before replacement.
2. Remove the baffle filters.



3. Press the clips on both sides of the LED light and pull it out.



4. Disconnect the LED light connector.



WARRANTY



Warranty&Service

This appliance has been manufactured by Thor International, 4651 E Airport Drive, California 91761

For Customer Service, please call (877) 288 - 8099

For the most up to date warranty and service policy, please refer to our website

WWW.THORKITCHEN.COM/WARRANTY-REGISTRATION

For in-warranty service requests, please visit our website at

WWW.THORKITCHEN.COM/SERVICE

Please Note: You must provide proof of purchase or installation date for any in-warranty service requests

We Stand Behind the Quality of Our Appliances.

Reliability and customer satisfaction are our top priorities. We offer a solid two-year warranty on both parts and labor. Enjoy professional-grade performance with the confidence that we've got you covered.

Warranty Registration Made Easy.

01 Scan the QR Code or visit thorkitchen.com/register-your-product.

02 Input your purchase and product information and select register.

03 That's it. You're all set. Enjoy!



WARRANTY



PARTS

Questions: service@thorinternational.com