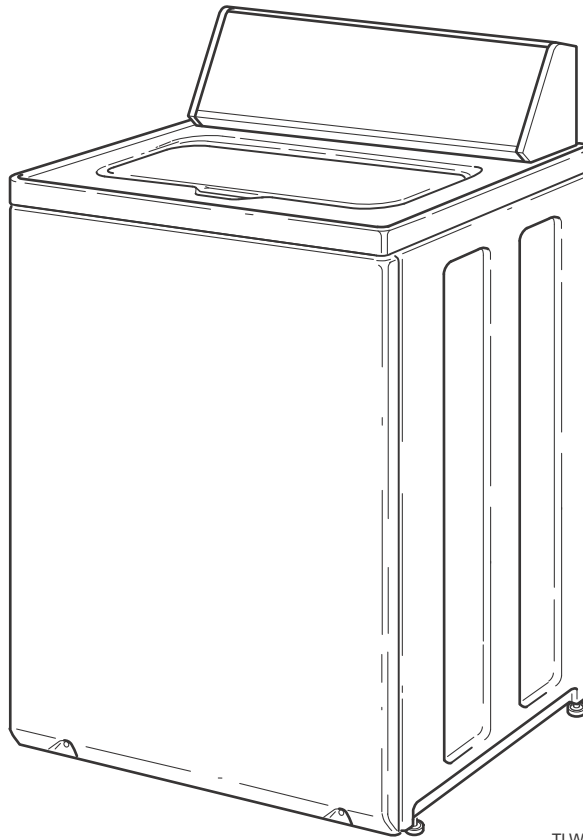


Home Topload Washers

Refer to Page 3 for Model Numbers



TLW24C_204240

Table of Contents

Title	Page
Parts Ordering Information.....	2
Serial Plate Location	2
Model Identification	3
Graphic Panel, Control Support Panel and Controls (Drawing 1 of 2).....	4
Graphic Panel, Control Support Panel and Controls (Drawing 2 of 2).....	6
Lid Switch Assembly	8
Top, Lid and Hood Back Panel	10
Fill Hose, Mixing Valve-to-Tub Cover Hose, Mixing Valve and Bracket.....	12
Motor, Mounting Bracket and Belt.....	14
Agitator, Fabric Softener Dispenser, Drive Bell, Hub and Lip Seal Kit and Washtub.....	16
Outer Tub, Cover, Bearing and Seal Housing, Pressure Hose and Counterweight.....	18
Drain Pump, Drain Hose and Siphon Break Kit	20
Weldment and Bearing Assembly	22
Front Panel, Base Assembly and Cabinet Kit	24
Lead-In Cord and Cable Ties	26
Shipping Brace, Plug and Special Tools	28
Output Board, Wire Harnesses and Wires	30
Wire Harnesses and Wires	32
Parts Index.....	35

© Copyright 2017, Alliance Laundry Systems LLC

All rights reserved. No part of the contents of this book may be reproduced or transmitted in any form or by any means without the expressed written consent of the publisher.

Parts Ordering Information

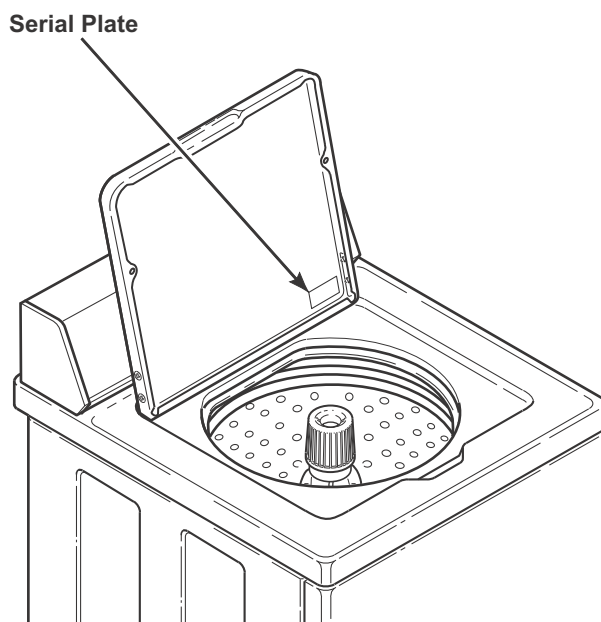
If literature or replacement parts are required, contact the source from whom the machine was purchased or contact Alliance Laundry Systems at (920) 748-3950 for the name and address of the nearest authorized parts distributor.

For technical assistance, call the number listed below:

(920) 748-3121 Ripon, Wisconsin

Serial Plate Location

When calling or writing about your product, be sure to mention model and serial numbers. Model and serial numbers are located on serial plate(s) as shown.



TLW1851P_204240

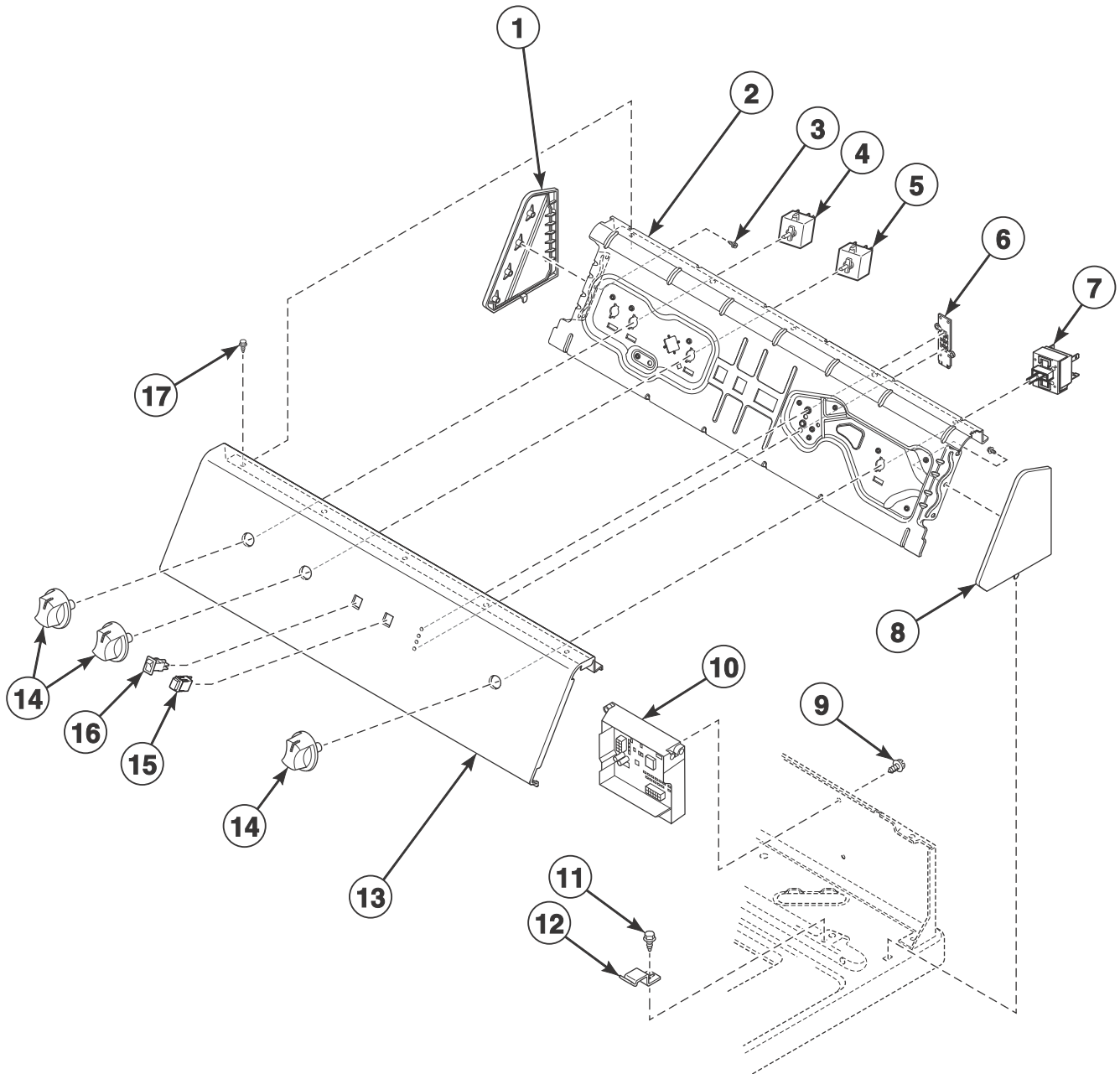
Model Identification

Information in this manual is applicable to these washer models:

AWN43RSN115CW01
AWN43RSN115CW14
AWN43RSN115TW01
AWN63RSN115CW01
AWN63RSN115CW14
AWN63RSN115TW01
AWNE9RSN115CW01
AWNE9RSN115CW14
AWNE9RSN115TW01

Graphic Panel, Control Support Panel and Controls (Drawing 1 of 2)

Models AWN43RSN115CW01, AWN43RSN115CW14, AWN43RSN115TW01, AWN63RSN115CW01, AWN63RSN115CW14
and AWN63RSN115TW01



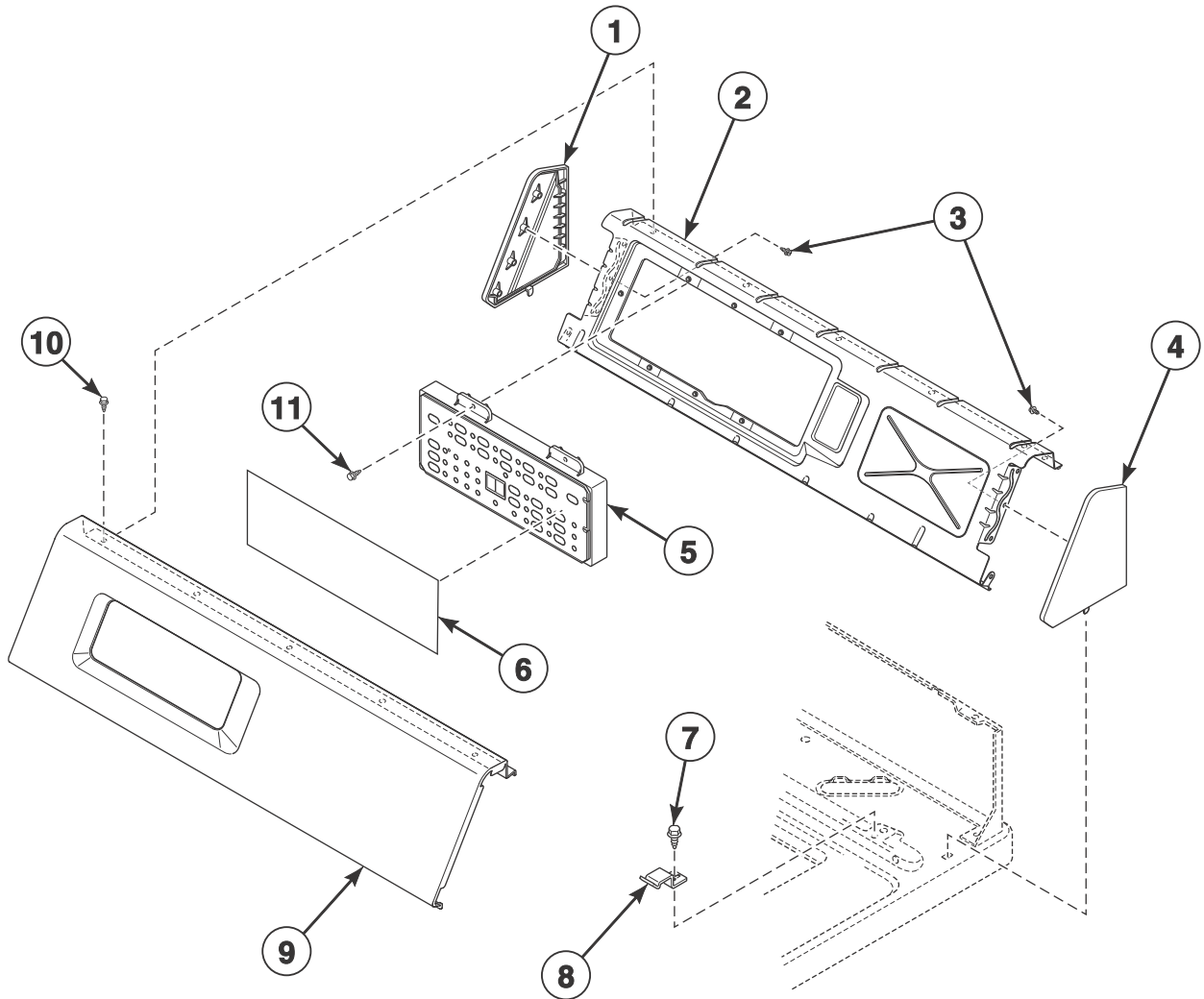
TLW1862P_204240

Graphic Panel, Control Support Panel and Controls (Drawing 1 of 2)

REF	PART NO.	DESCRIPTION	COMMENTS
1	203730W	End Cap	Left
2	203840	Control Support Panel	
3	203799	Screw	
4	35115	Temperature Switch	Model AWN43RSN115TW01
	36335	Temperature Switch	Model AWN63RSN115TW01
5	36335	Temperature Switch	For load size knob
6	203849	LED Display Assembly	
7	203977	Cycle Selector Switch	Models AWN43RSN115CW01, AWN43RSN115CW14 and AWN43RSN115TW01
	203976	Cycle Selector Switch	Models AWN63RSN115CW01, AWN63RSN115CW14 and AWN63RSN115TW01
8	203729W	End Cap	Right
9	804608	Screw	
10	204141	Control Assembly	Models AWN43RSN115CW01, AWN43RSN115CW14 and AWN43RSN115TW01
	204163	Control Assembly	Models AWN63RSN115CW01, AWN63RSN115CW14 and AWN63RSN115TW01
11	23962	Screw	
12	35358	Hold-Down Clip	
13	203989	Graphic Panel	Models AWN43RSN115CW01 and AWN43RSN115TW01
	203735	Graphic Panel	Models AWN63RSN115CW01 and AWN63RSN115TW01
	204010	Graphic Panel	Model AWN43RSN115CW14
	204009	Graphic Panel	Model AWN63RSN115CW14
14	806597	Knob Assembly	
15	203935	Push Button Switch	
16	203934	Rocker Switch	
17	D501086	Screw	

Graphic Panel, Control Support Panel and Controls (Drawing 2 of 2)

Models AWNE9RSN115CW01, AWNE9RSN115CW14 and AWNE9RSN115TW01

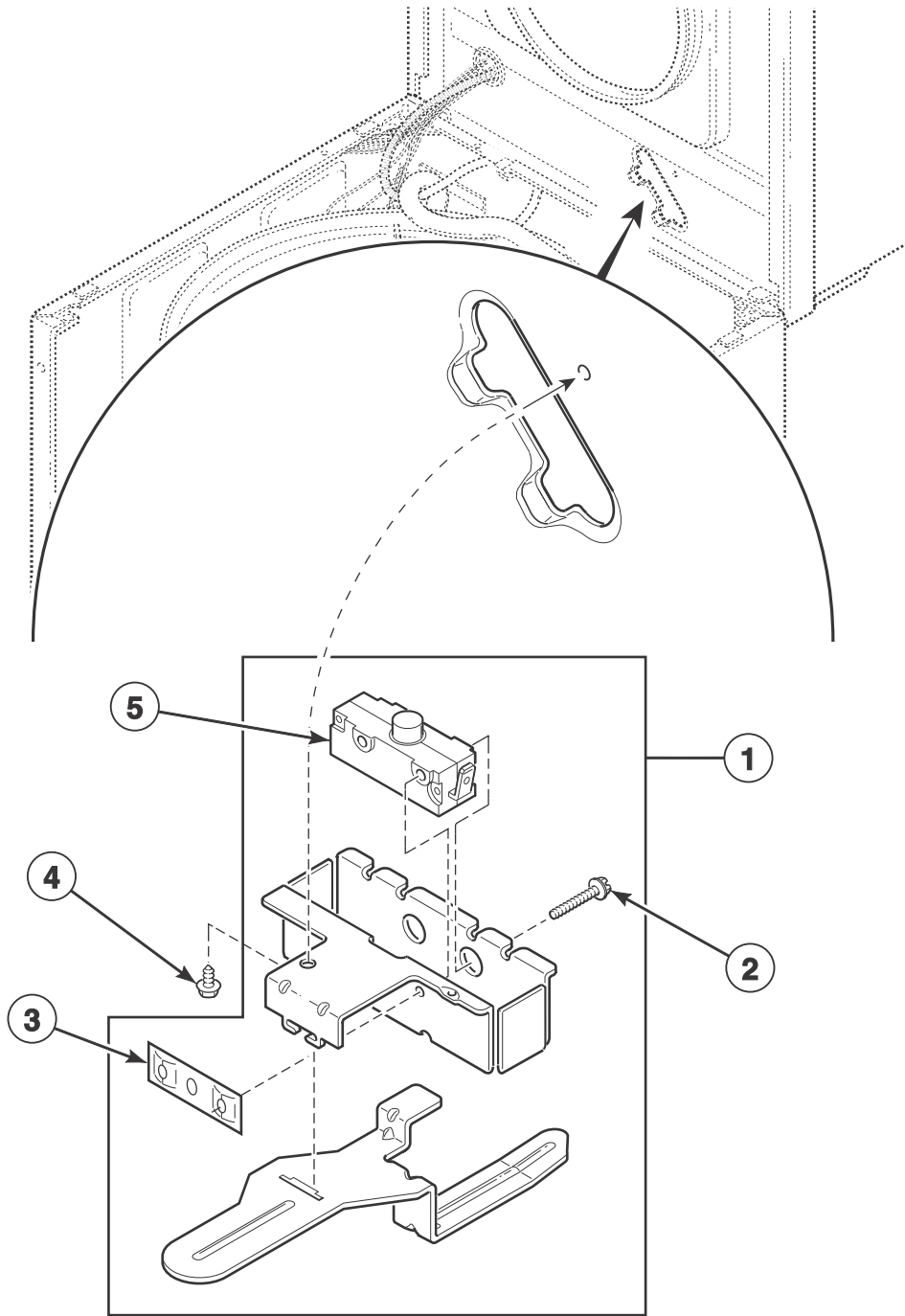


TLW1852P_204240

Graphic Panel, Control Support Panel and Controls (Drawing 2 of 2)

REF	PART NO.	DESCRIPTION	COMMENTS
1	203730W	End Cap	Left
2	203708	Control Support Panel	
3	203799	Screw	
4	203729W	End Cap	Right
5	204074	Control Assembly	Includes item 6
6	204405	Overlay	Model AWNE9RSN115CW14
	204151	Overlay	All other models
7	23962	Screw	
8	35358	Hold-Down Clip	
9	203712	Graphic Panel	
10	D501086	Screw	
11	804667	Screw	

Lid Switch Assembly

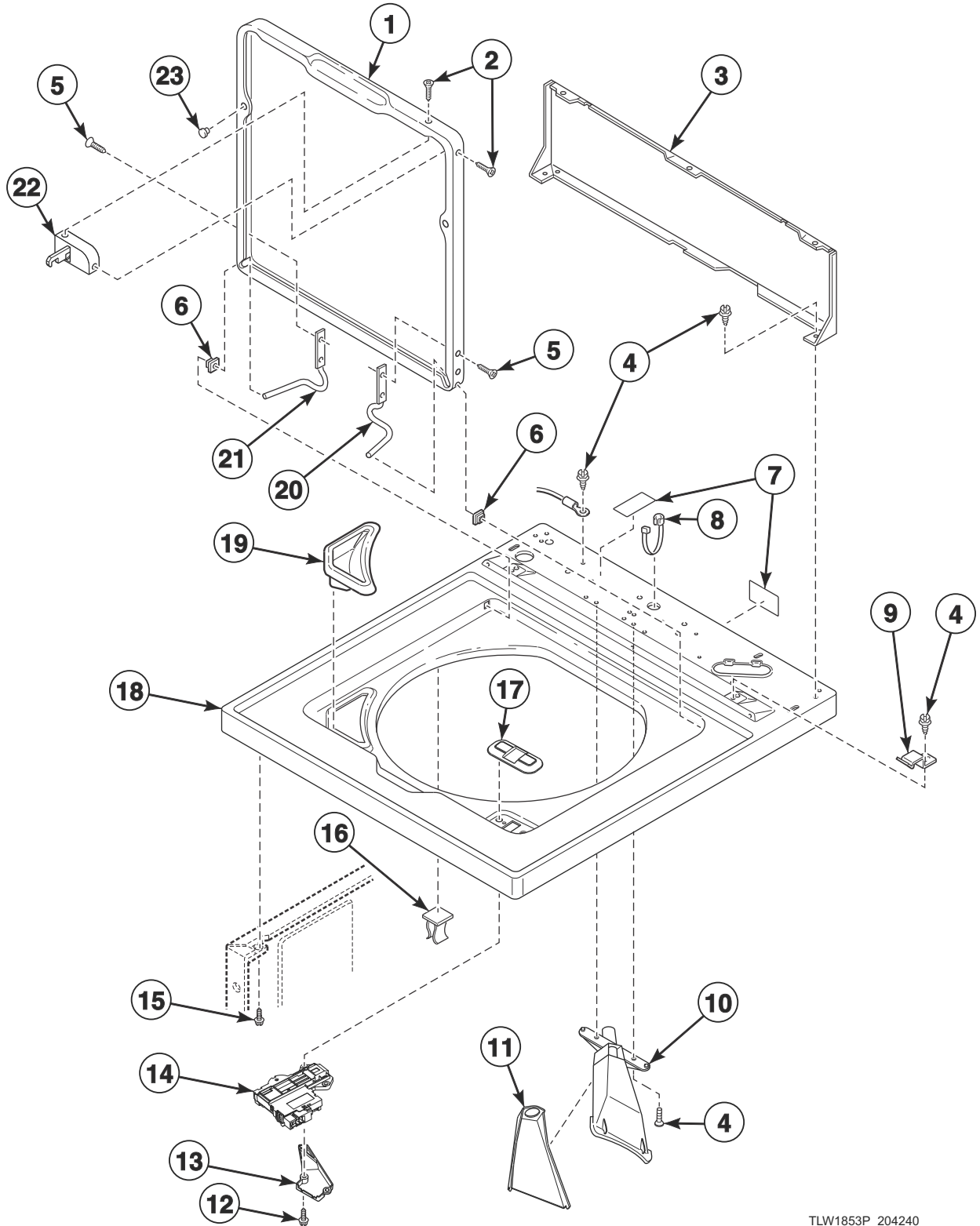


TLW1832B_204240

Lid Switch Assembly

REF	PART NO.	DESCRIPTION	COMMENTS
1	37631	Lid Switch Assembly	
2	M402574	Screw	
3	M400981	Nut	
4	23962	Screw	
5	33445	Switch	

Top, Lid and Hood Back Panel

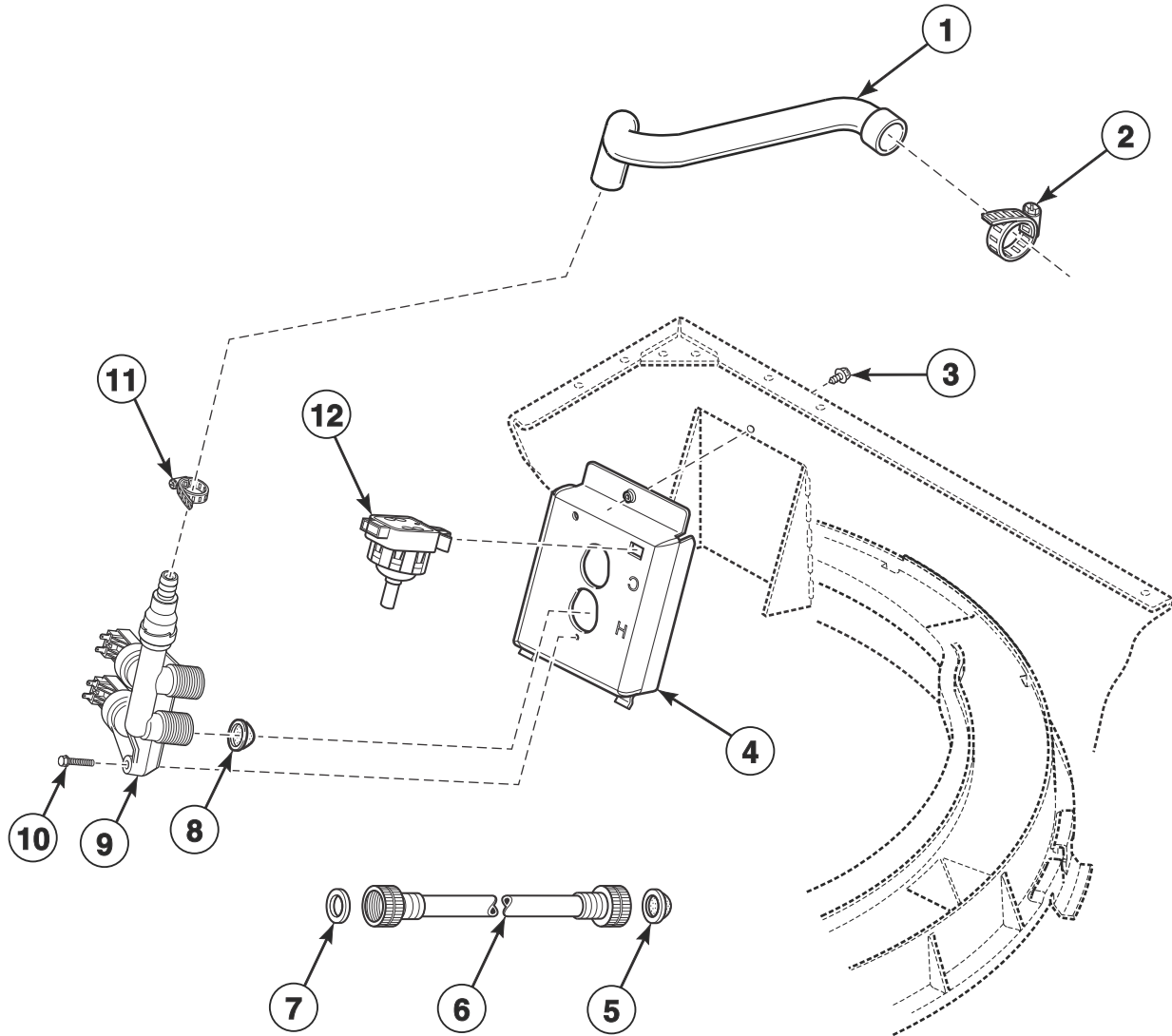


TLW1853P_204240

Top, Lid and Hood Back Panel

REF	PART NO.	DESCRIPTION	COMMENTS
1	203575W	Lid	
2	203755	Screw	
3	203733	Hood Back Panel	Models AWNE9RSN115CW01, AWNE9RSN115CW14 and AWNE9RSN115TW01
	203915	Hood Back Panel	All other models
4	23962	Screw	
5	34337	Screw	
6	33446	Bushing	
7	D505281	Disconnect Power Warning Label	Models AWN43RSN115TW01, AWN63RSN115TW01 and AWNE9RSN115TW01
	D500316	Warning Label	All other models
8	38384	Strain Relief	
9	35358	Hold-Down Clip	
10	202900	Inlet Deflector	
11	202894	Inlet Cover	
12	800548	Screw	
13	204038	Drip Tray	
14	203504	Lid Lock	
15	33562	Screw	
16	36519	Hinge Stop Clip	
17	203643	Lid Lock Bezel	
18	203632W	Top Panel	
19	202996	Bleach Dispenser	
20	36437	Lid Hinge	Right
21	36513	Lid Hinge	Left
22	203573	Lid Lock Catch	
23	21685	Bumper	

Fill Hose, Mixing Valve-to-Tub Cover Hose, Mixing Valve and Bracket

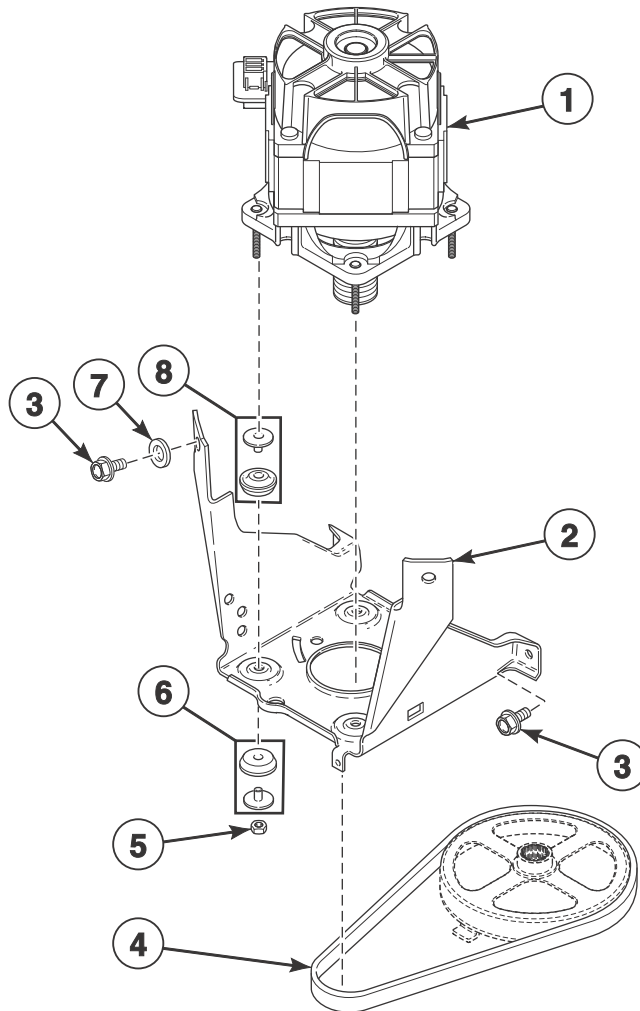


TLW1861P_204240

Fill Hose, Mixing Valve-to-Tub Cover Hose, Mixing Valve and Bracket

REF	PART NO.	DESCRIPTION	COMMENTS
1	202884	Valve to Inlet Hose	
2	800803	Hose Clamp	
3	33562	Screw	
4	204117	Mixing Valve Mounting Bracket	
5	803615	Washer	Filter screen
	802254	Washer	Flow restrictor; Water pressure reducer; Available for water pressure up to but not exceeding 120 psi
6	203719	Fill Hose	4 feet; Marked red for hot water
	203720	Fill Hose	4 feet; Marked blue for cold water
7	20290	Washer	
8	24122	Mixing Valve Screen	
9	202395P	Mixing Valve	
10	39397	Screw	
11	36801	Hose Clamp	
12	203843	Pressure Sensor	

Motor, Mounting Bracket and Belt

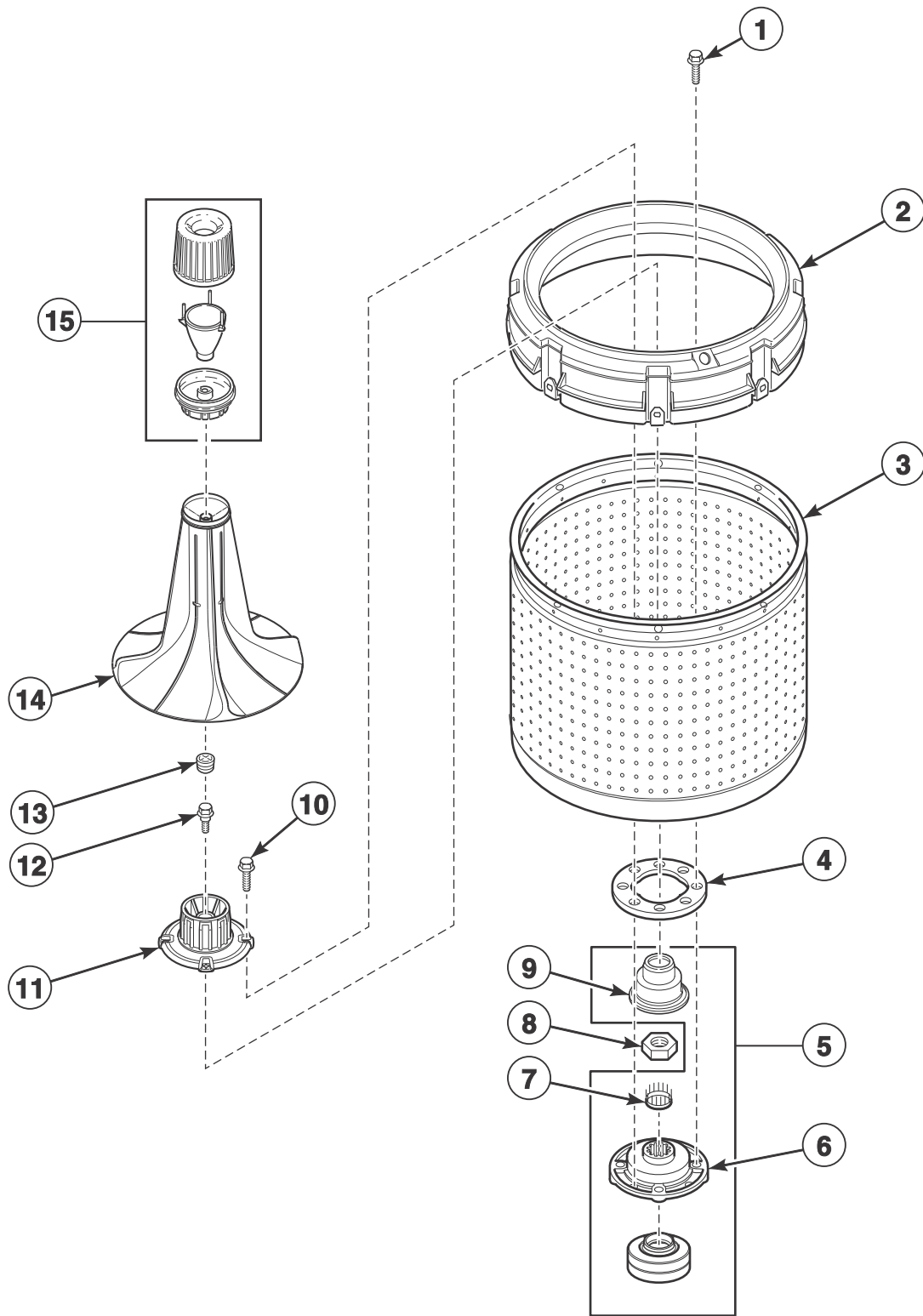


TLW1854P_204240

Motor, Mounting Bracket and Belt

REF	PART NO.	DESCRIPTION	COMMENTS
1	204011	Motor	
2	200941	Motor Mount Bracket	
3	35369	Screw	
4	204008	Belt	
5	35423	Nut	
6	204062	Isolator Assembly	Lower
7	37772	Washer	
8	204063	Isolator Assembly	Upper

Agitator, Fabric Softener Dispenser, Drive Bell, Hub and Lip Seal Kit and Washtub

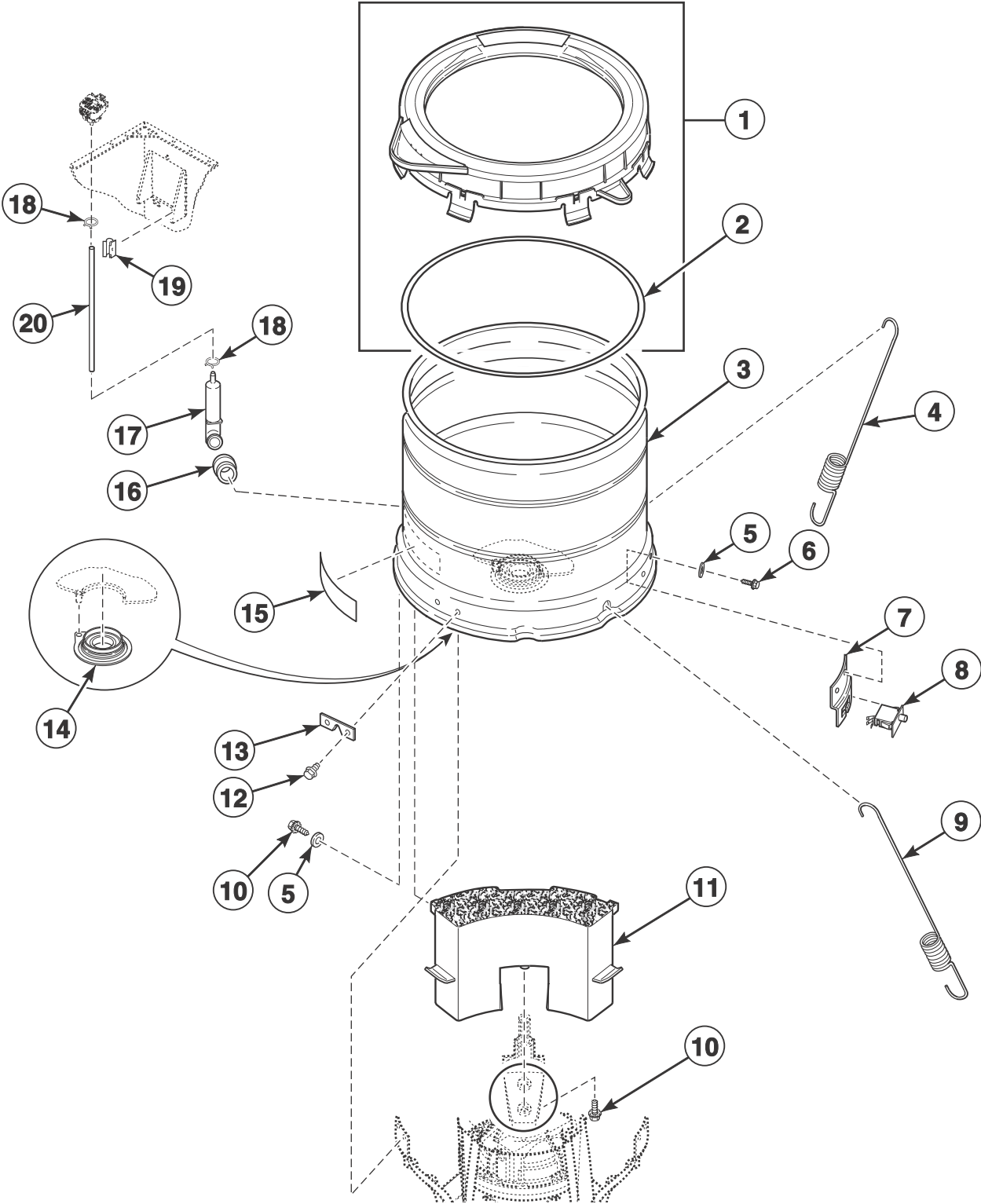


TLW1855P_204240

Agitator, Fabric Softener Dispenser, Drive Bell, Hub and Lip Seal Kit and Washtub

REF	PART NO.	DESCRIPTION	COMMENTS
1	27202	Screw	
2	39837	Balance Ring Assembly	
3	203882	Washtub	Stainless steel
4	39122	Washtub Gasket	
5	766P3A	Hub and Lip Seal Kit	DO NOT use any sealant other than 200996P Sealant; Includes item 10 and installation tool
	200996P	Sealant	Use with hub and lip seal kit
6	203510	Washtub Hub	
7	29728	Spline Insert	
8	29220	Nut	
9	36425	Bell and Transmission Tube Seal	
10	203792	Screw	
11	203851	Drive Bell	
12	39432	Screw	
13	36511	Bell Plug	
14	203852	Straight Agitator	
15	36542	Fabric Softener Dispenser Assembly	

Outer Tub, Cover, Bearing and Seal Housing, Pressure Hose and Counterweight

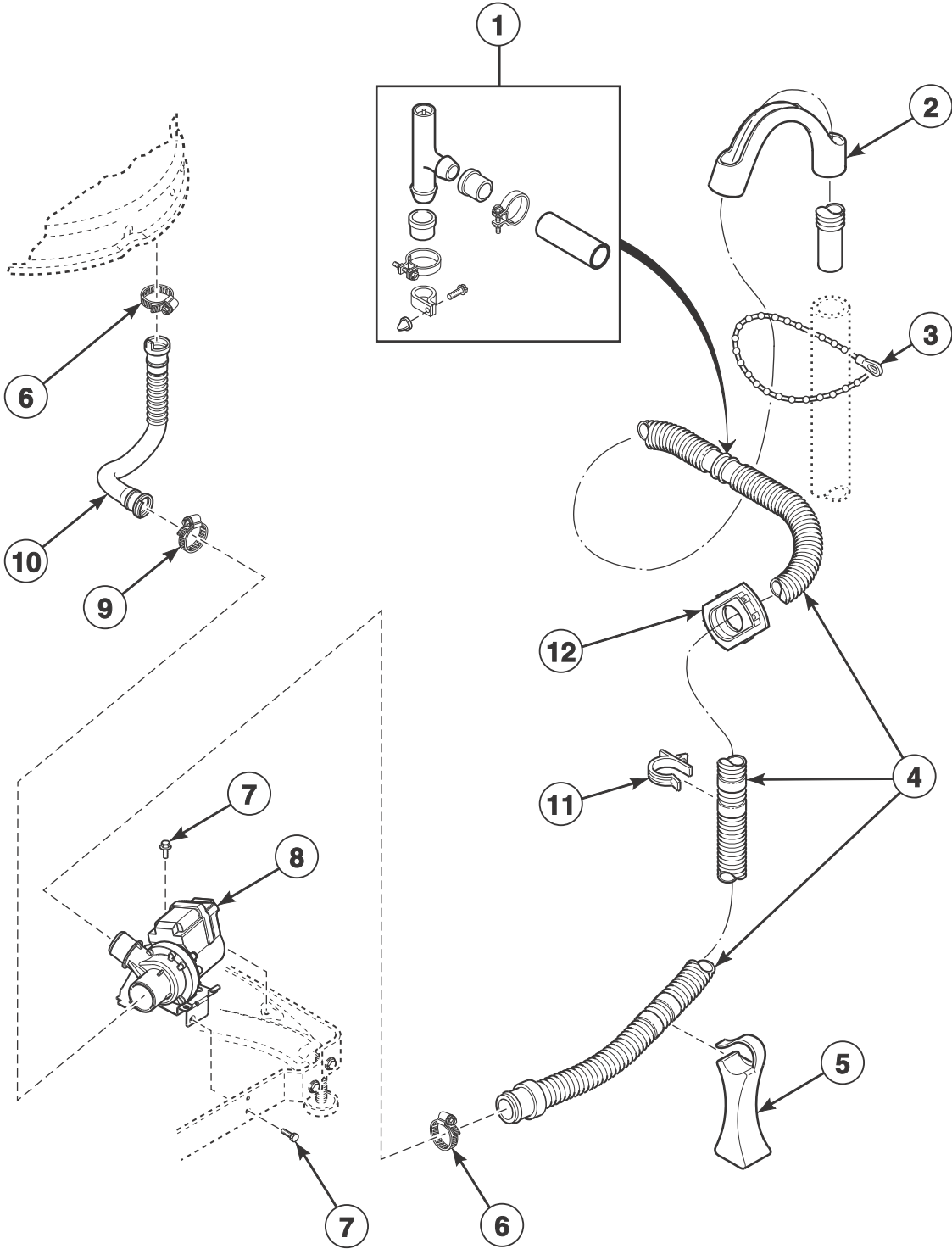


TLW1856P_204240

Outer Tub, Cover, Bearing and Seal Housing, Pressure Hose and Counterweight

REF	PART NO.	DESCRIPTION	COMMENTS
1	203968	Tub Cover Assembly	Includes item 2
2	38359	Tub Cover Gasket	
3	203603	Outer Tub Assembly	
4	201521	Leg Spring	Marked with green paint; Use to replace two rear springs closest to counterweight
5	39249	Washer	
6	35148	Screw	
7	203599	Bracket	
8	803415	Out-of-Balance Switch Assembly	
9	37575	Leg Spring	Marked with blue paint; Use to replace four front springs
10	39566	Screw	
11	38769	Counterweight Assembly	
12	35369	Screw	
13	27926	Leg Plate	
14	766P3A	Hub and Lip Seal Kit	
	200996P	Sealant	Use with hub and lip seal kit
15	D500049	Warning Label	Models AWN43RSN115TW01, AWN63RSN115TW01 and AWNE9RSN115TW01
	D500314	Warning Label	All other models
16	29175	Grommet	
17	30907	Pressure Bulb	
18	39282	Hose Clamp	
19	21036	Cable Clip	
20	203802	Tubing	

Drain Pump, Drain Hose and Siphon Break Kit

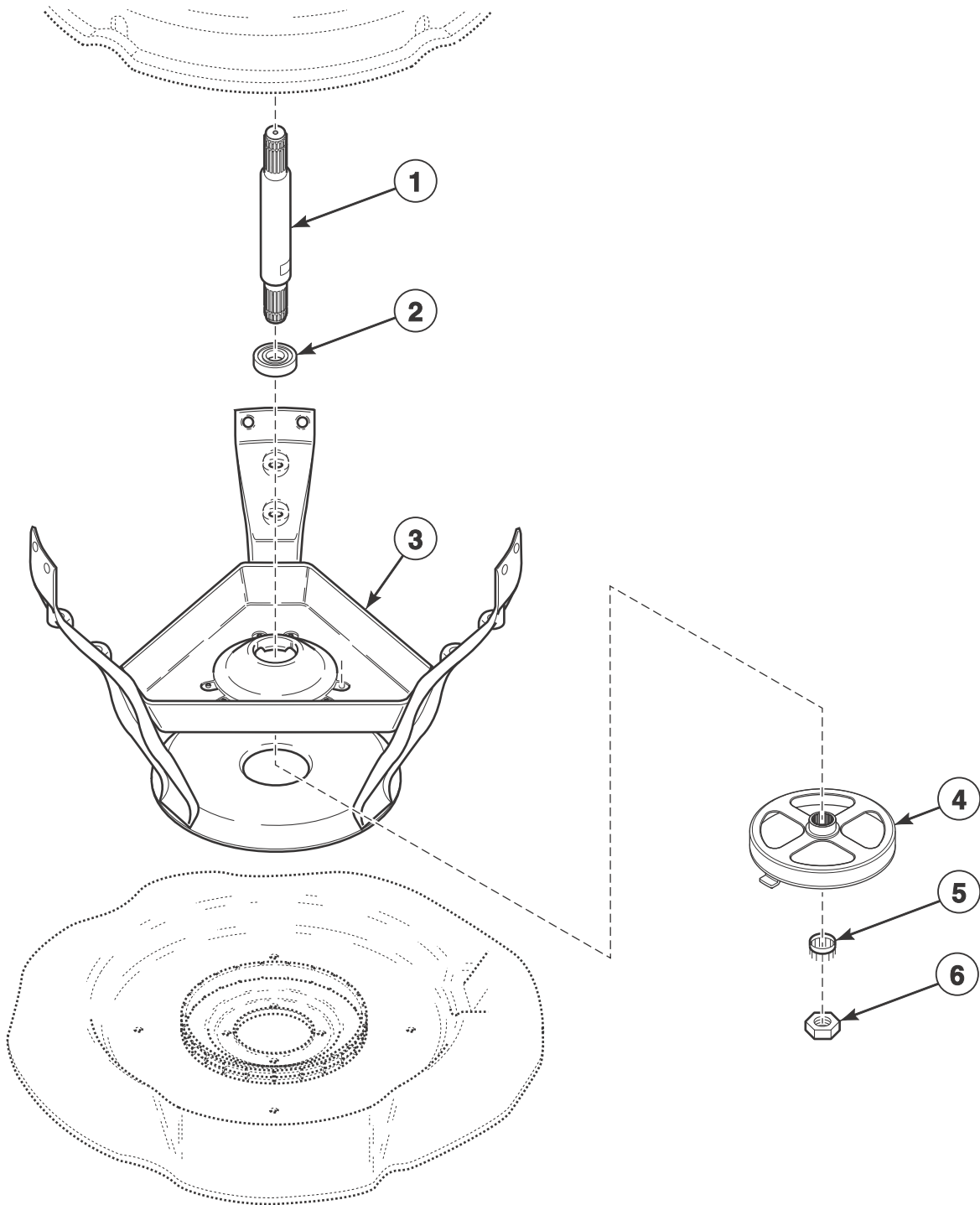


TLW1857P_204240

Drain Pump, Drain Hose and Siphon Break Kit

REF	PART NO.	DESCRIPTION	COMMENTS
	451P3	Drain Extension Kit	
1	562P3	Siphon Break Kit	Siphon break kit MUST be installed in drain hose if drain receptacle is lower than cabinet top of washer
2	33615	Drain Hose Sleeve	
3	33489	Standpipe Strap	
4	203588	Drain Hose	
5	38732	Hose Stand	
6	F200204	Hose Clamp	
7	31645	Screw	
8	203885	Pump and Bracket	
9	90554	Hose Clamp	
10	203560	Tub-to-Pump Hose	
11	36014	Retainer Clip	
12	32219	Strain Relief	

Weldment and Bearing Assembly

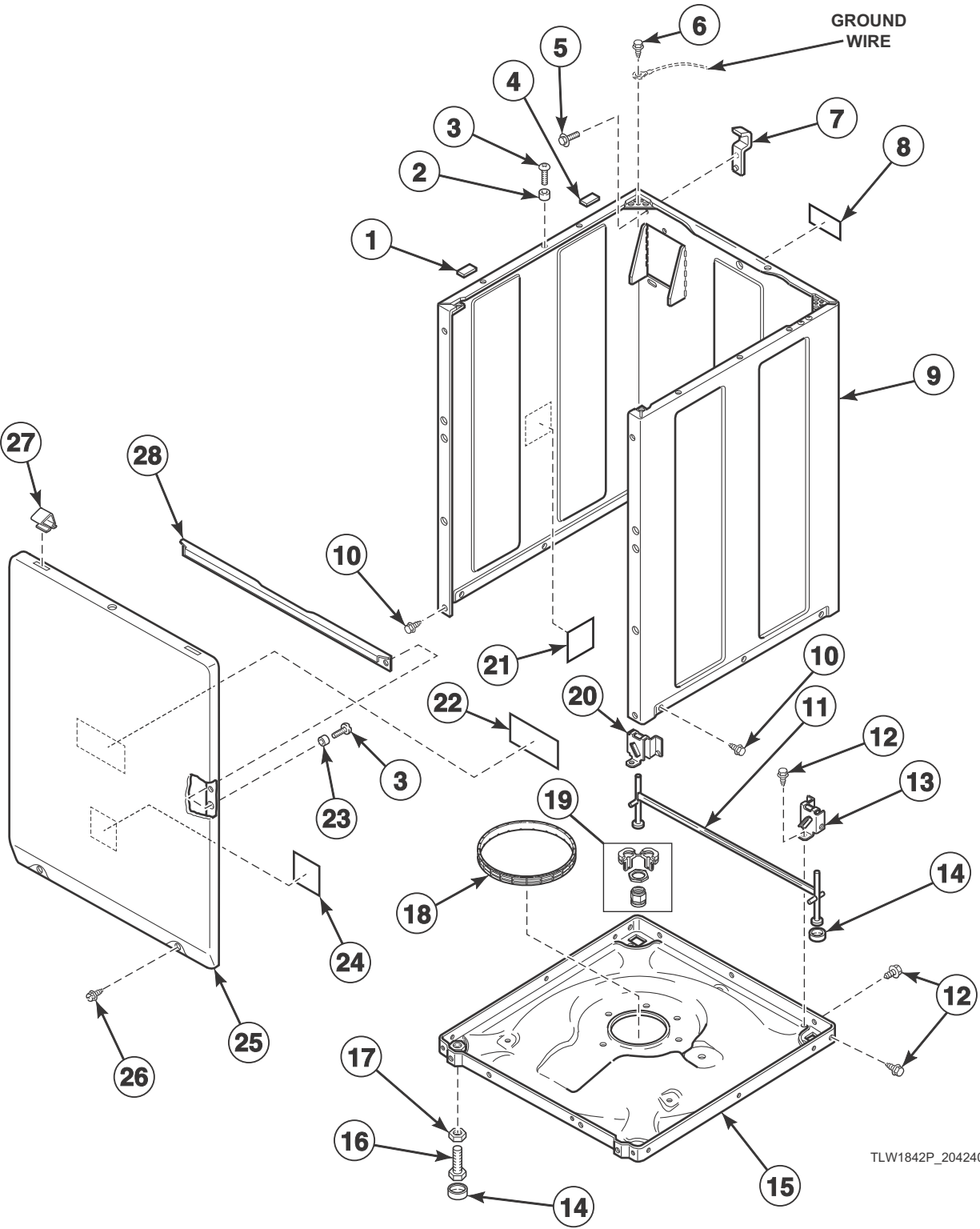


TLW1858P_204240

Weldment and Bearing Assembly

REF	PART NO.	DESCRIPTION	COMMENTS
1	203394	Drive Shaft	
2	28944RP	Lower Bearing	
3	39253	Weldment and Bearing Assembly	
4	203531	Drive Pulley	
5	29728	Spline Insert	
6	29220	Nut	

Front Panel, Base Assembly and Cabinet Kit

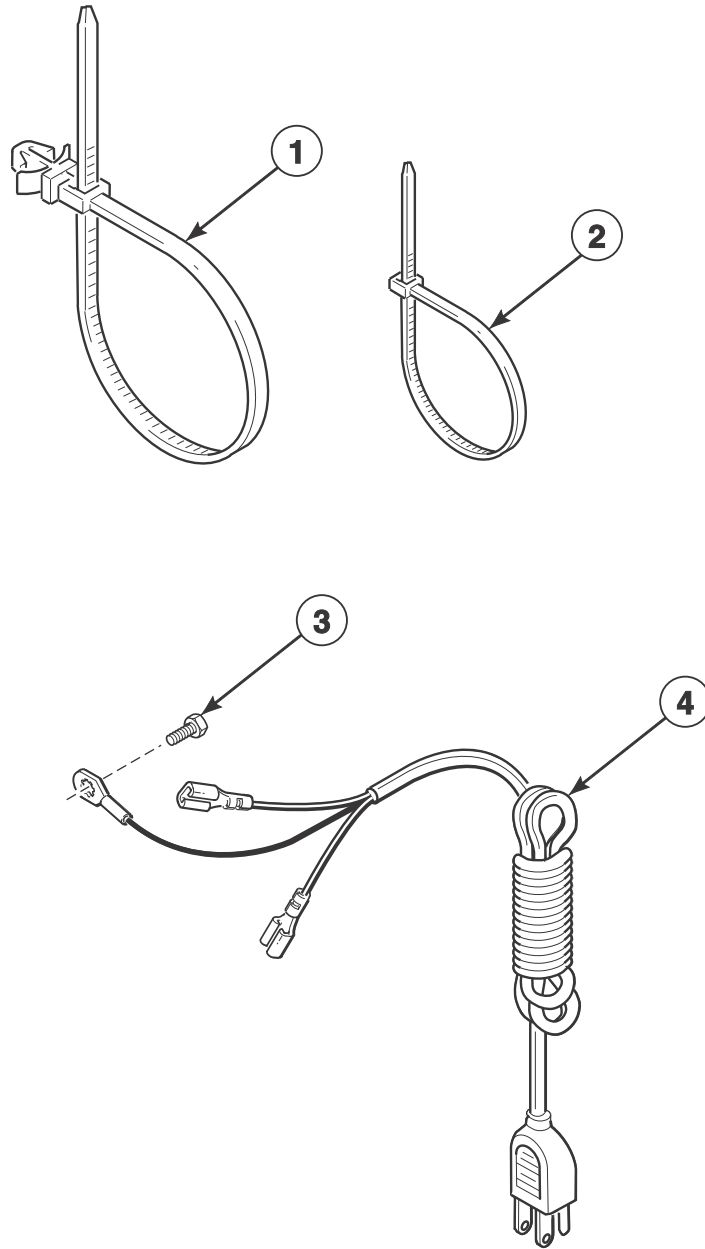


TLW1842P_204240

Front Panel, Base Assembly and Cabinet Kit

REF	PART NO.	DESCRIPTION	COMMENTS
	122P4P	Porcelain Touch-Up Paint	
1	56128	Bumper Pad	
2	56079	Panel Locator	
3	39733	Screw	
4	36226	Bumper Pad	
5	51780	Screw	
6	D501086	Screw	
7	27103	Hold-Down Lug Hinge	
8	803260	Warning Label	
9	38612WP	Service Cabinet Kit	
10	27196	Screw	
11	34443	Leg and Stabilizer Assembly	
12	35148	Screw	
13	36036	Bracket	Right
14	34318	Rubber Foot	
15	39788	Base Assembly	
16	34319	Leveling Leg	
17	21899	Nut	
18	37937	Friction Ring	
19	566P3	Adjustable Leg Extension Kit	
20	36037	Bracket	Left
21	39480	Foam Pad	
22	36204	Front Panel Pad	
23	28102	Panel Locator	
24	203484	Foam Pad	
25	38335WP	Front Panel	
26	38272	Screw	
27	35865	Hold-Down Clip	
28	35097	Front Panel Brace	

Lead-In Cord and Cable Ties

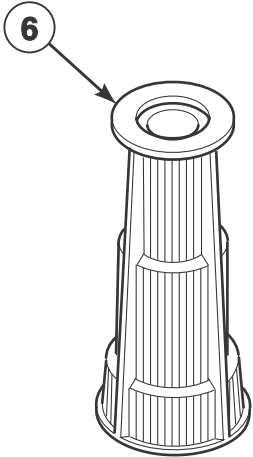
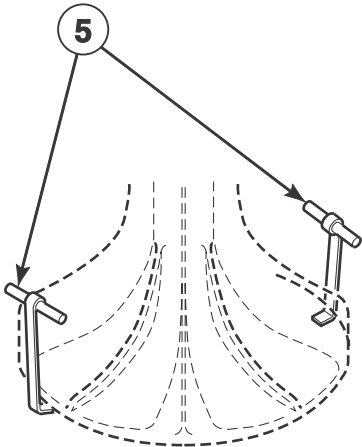
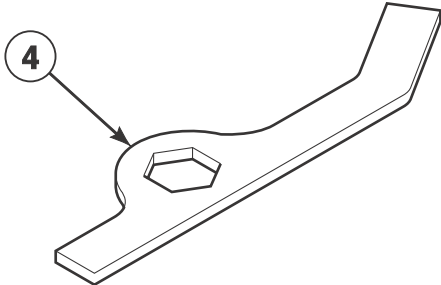
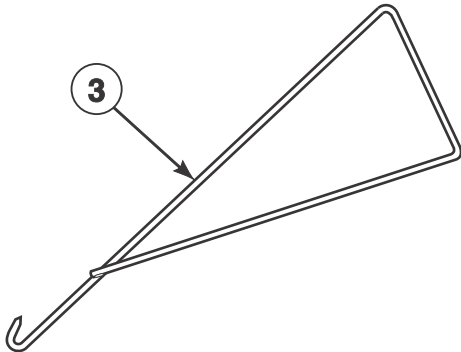
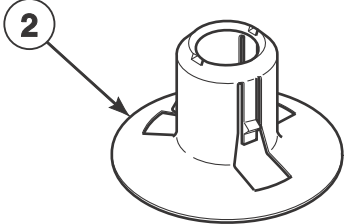
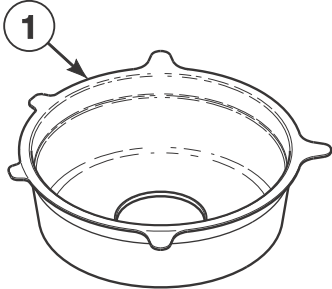


TLW1865P_204240

Lead-In Cord and Cable Ties

REF	PART NO.	DESCRIPTION	COMMENTS
1	804724	Cable Tie	6 inches: Push mount
2	F140605	Cable Tie	6 inches
3	D503688	Screw	
4	202777	Lead-In Cord	

Shipping Brace, Plug and Special Tools



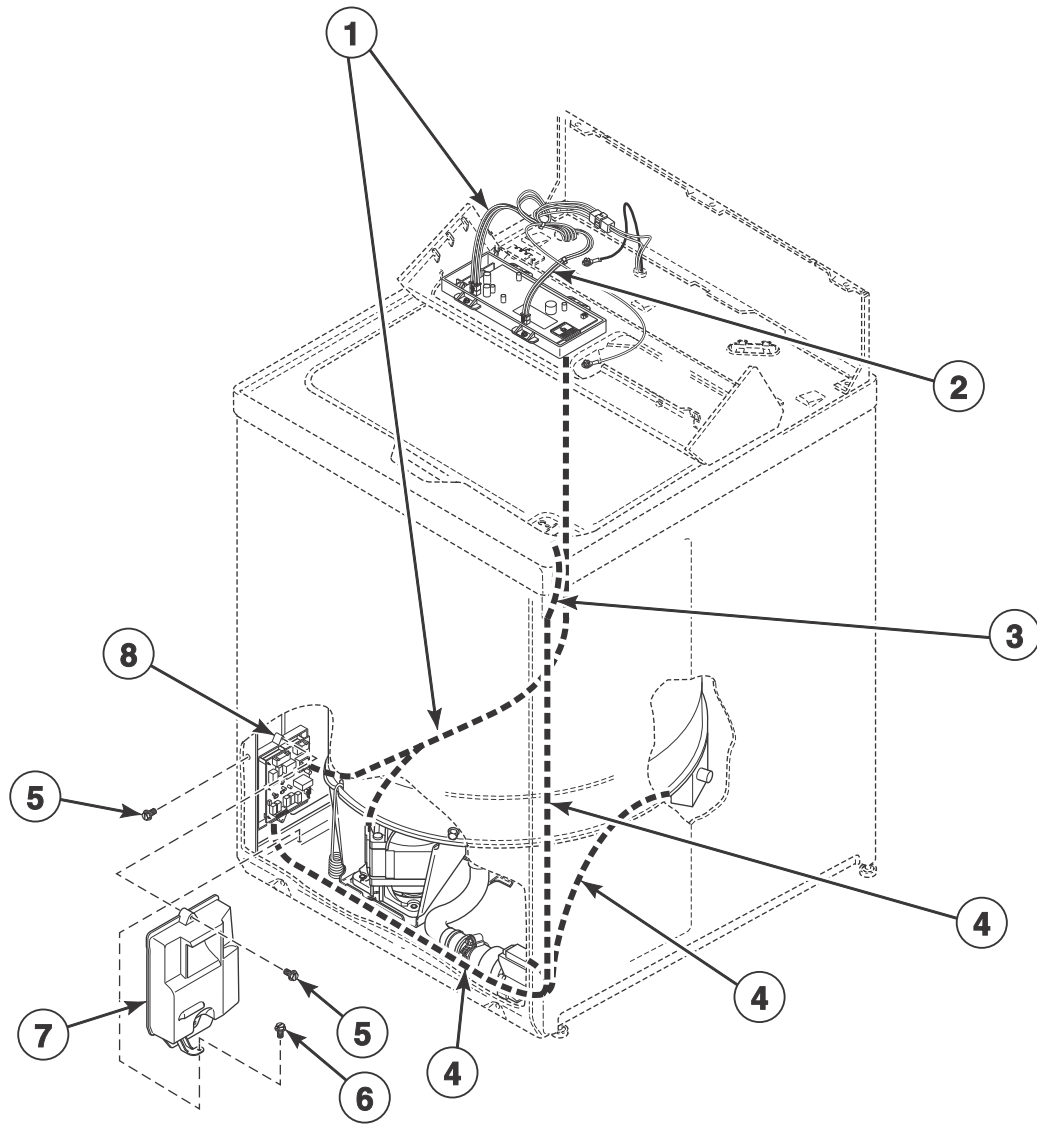
TLW1859P_204240

Shipping Brace, Plug and Special Tools

REF	PART NO.	DESCRIPTION	COMMENTS
	202890	Foam Shipping Brace	Install before moving washer
1	200553	Shipping Brace	Install whenever moving washer; Remove before use
2	38149	Shipping Plug	Install before moving washer to prevent tub from damaging cabinet
3	321P4	Spring Hook Tool	For removal of module springs from outer tub
4	306P4	Hex Wrench Tool	For removal of locknut from washtub hub
5	254P4P	Agitator Hook	Set of 2; Use to remove agitator from drive bell
6	293P4	Drive Bell Seal Tool	For installation of 36425 Bell and Transmission Tube Seal

Output Board, Wire Harnesses and Wires

Models AWNE9RSN115CW01, AWNE9RSN115CW14 and AWNE9RSN115TW01



TLW1860P_204240

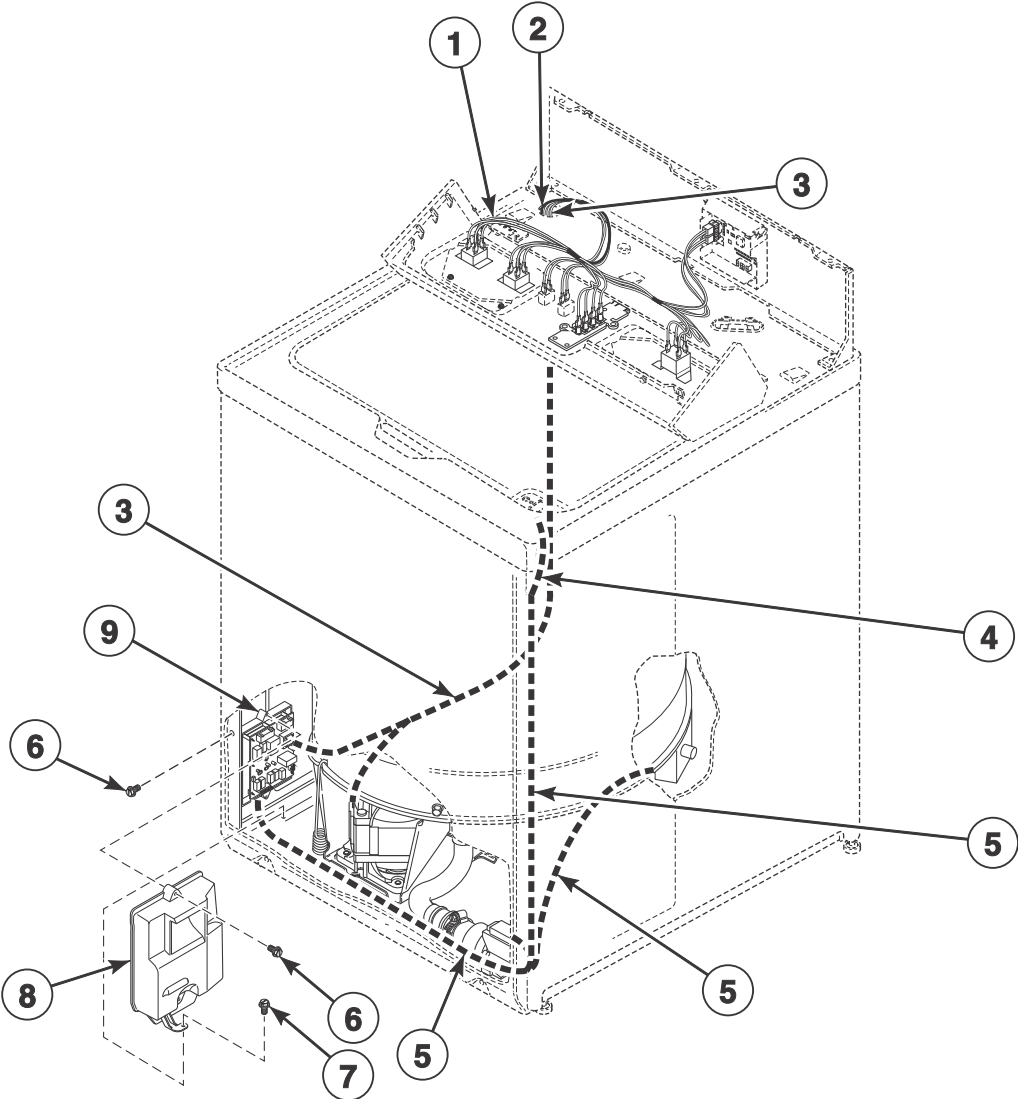
Output Board, Wire Harnesses and Wires

REF	PART NO.	DESCRIPTION	COMMENTS
1	203659	Control Drive Harness	
2	204054	Pressure Sensor Harness	
3	203664	Lid Lock Harness	
4	203661	Drain Pump Harness	
5	203799	Screw	
6	31645	Screw	
7	203612	Drive Cover	
8	203657	Drive Control Assembly	

NOTE: Individual wires are not available separately. Order complete wire harness, or order wire by the foot. When applying terminals to wires, it is recommended that the terminals be soldered to the wires.

Wire Harnesses and Wires

Models AWN43RSN115CW01, AWN43RSN115CW14, AWN43RSN115TW01, AWN63RSN115CW01, AWN63RSN115CW14 and AWN63RSN115TW01



TLW1863P_204240

Wire Harnesses and Wires

REF	PART NO.	DESCRIPTION	COMMENTS
	45001	18 Gauge Wire	Black; Order wire by foot and terminals as required
	45380	12 Gauge Wire	Orange; Order wire by foot and terminals as required
1	203808	Hood Harness	
2	204054	Pressure Sensor Harness	
3	203659	Control Drive Harness	
4	203664	Lid Lock Harness	
5	203661	Drain Pump Harness	
6	203799	Screw	
7	31645	Screw	
8	203612	Drive Cover	
9	203657	Drive Control Assembly	

NOTE: Individual wires are not available separately. Order complete wire harness, or order wire by the foot. When applying terminals to wires, it is recommended that the terminals be soldered to the wires.

Parts Index

A

Adjustable Leg Extension Kit 566P3	25
Agitator Hook 254P4P	29

B

Balance Ring Assembly 39837	17
Base Assembly 39788	25
Bell and Transmission Tube Seal 36425	17
Bell Plug 36511	17
Belt 204008	15
Bleach Dispenser 202996	11
Bracket 203599	19
36036	25
36037	25
Bumper 21685	11
Bumper Pad 36226	25
56128	25
Bushing 33446	11

C

Cable Clip 21036	19
Cable Tie F140605	27
804724	27
Control Assembly 204074	7
204141	5
204163	5
Control Drive Harness 203659	31, 33
Control Support Panel 203708	7
203840	5
Counterweight Assembly 38769	19
Cycle Selector Switch 203976	5
203977	5

D

Disconnect Power Warning Label D505281	11
Drain Extension Kit 451P3	21
Drain Hose 203588	21
Drain Hose Sleeve 33615	21
Drain Pump Harness 203661	31, 33
Drip Tray 204038	11
Drive Bell 203851	17
Drive Bell Seal Tool 293P4	29
Drive Control Assembly 203657	31, 33
Drive Cover 203612	31, 33
Drive Pulley 203531	23
Drive Shaft 203394	23

E

End Cap 203729W	5, 7
203730W	5, 7

F

Fabric Softener Dispenser Assembly 36542	17
Fill Hose 203719	13
203720	13
Foam Pad 203484	25
39480	25
Foam Shipping Brace 202890	29
Friction Ring 37937	25
Front Panel 38335WP	25
Front Panel Brace 35097	25
Front Panel Pad 36204	25

N/A items do not appear in index.

G

Graphic Panel	
203712	7
203735	5
203989	5
204009	5
204010	5
Grommet	
29175	19

H

Hex Wrench Tool	
306P4	29
Hinge Stop Clip	
36519	11
Hold-Down Clip	
35358	5, 7, 11
35865	25
Hold-Down Lug Hinge	
27103	25
Hood Back Panel	
203733	11
203915	11
Hood Harness	
203808	33
Hose Clamp	
F200204	21
36801	13
39282	19
800803	13
90554	21
Hose Stand	
38732	21
Hub and Lip Seal Kit	
766P3A	17, 19

I

Inlet Cover	
202894	11
Inlet Deflector	
202900	11
Isolator Assembly	
204063	15
isolator Assembly	
204062	15

K

Knob Assembly	
806597	5

L

Lead-In Cord	
202777	27

LED Display Assembly	
203849	5
Leg and Stabilizer Assembly	
34443	25
Leg Plate	
27926	19
Leg Spring	
201521	19
37575	19
Leveling Leg	
34319	25
Lid	
203575W	11
Lid Hinge	
36437	11
36513	11
Lid Lock	
203504	11
Lid Lock Bezel	
203643	11
Lid Lock Catch	
203573	11
Lid Lock Harness	
203664	31, 33
Lid Switch Assembly	
37631	9
Lower Bearing	
28944RP	23

M

Mixing Valve	
202395P	13
Mixing Valve Mounting Bracket	
204117	13
Mixing Valve Screen	
24122	13
Motor	
204011	15
Motor Mount Bracket	
200941	15

N

Nut	
M400981	9
21899	25
29220	17, 23
35423	15

O

Outer Tub Assembly	
203603	19
Out-of-Balance Switch Assembly	
803415	19
Overlay	
204151	7
204405	7

N/A items do not appear in index.

P

Panel Locator	
28102	25
56079	25
Porcelain Touch-Up Paint	
122P4P	25
Pressure Bulb	
30907	19
Pressure Sensor	
203843	13
Pressure Sensor Harness	
204054	31, 33
Pump and Bracket	
203885	21
Push Button Switch	
203935	5

R

Retainer Clip	
36014	21
Rocker Switch	
203934	5
Rubber Foot	
34318	25

S

Screw	
D501086	5, 7, 25
D503688	27
M402574	9
203755	11
203792	17
203799	5, 7, 31, 33
23962	5, 7, 9, 11
27196	25
27202	17
31645	21, 31, 33
33562	11, 13
34337	11
35148	19, 25
35369	15, 19
38272	25
39397	13
39432	17
39566	19
39733	25
51780	25
800548	11
804608	5
804667	7
Sealant	
200996P	17, 19
Service Cabinet Kit	
38612WP	25
Shipping Brace	
200553	29
Shipping Plug	
38149	29

Siphon Break Kit	
562P3	21
Spline Insert	
29728	17, 23
Spring Hook Tool	
321P4	29
Standpipe Strap	
33489	21
Straight Agitator	
203852	17
Strain Relief	
32219	21
38384	11
Switch	
33445	9

T

Temperature Switch	
35115	5
36335	5
Top Panel	
203632W	11
Tub Cover Assembly	
203968	19
Tub Cover Gasket	
38359	19
Tubing	
203802	19
Tub-to-Pump Hose	
203560	21

V

Valve to Inlet Hose	
202884	13

W

Warning Label	
D500049	19
D500314	19
D500316	11
803260	25
Washer	
20290	13
37772	15
39249	19
802254	13
803615	13
Washtub	
203882	17
Washtub Gasket	
39122	17
Washtub Hub	
203510	17
Weldment and Bearing Assembly	
39253	23
Wire, 12 Gauge	
45380	33

N/A items do not appear in index.

Wire, 18 Gauge
45001 33
