



**Product:** 34 INCH LINER HOOD IN 15" HEIGHT

**Model Number:** TLH3415

## GENERAL PROPERTIES

Number of Speeds	3
CFM at Low / Medium / High	187 / 280 / 350
Noise Level	3
Noise Rating at Low / Medium / High	47 dB / 51 dB / 57 dB
Ducted / Recirculating Convertible	Yes
Filter Type	Baffle Filter
Filter Qty	3
Lighting	1 x 6W warm white LED
Control Type	Button
Delay Function	Yes [5 mins]
Duct Size (in.)	5-7/8"
Duct Type	Round
Damper Included	Yes

## PRODUCT DIMENSIONS & WEIGHTS

Product Dimensions (WxDxH) (in.)	33-15/16" x 14-15/16" x 15-1/4"
Cutout Dimensions (WxDxH) (in.)	33-1/4" x 14-3/8" x 15-1/2"
Net Weight (lbs.)	27.8
Gross Weight (lbs.)	37.2
Package Dimensions (WxDxH) (in.)	36-13/16" x 18-1/2" x 18-1/2"

## ACCESSORIES (OPTIONAL)

Charcoal Filter
Aluminum Pipe

## FEATURES & BENEFITS

- + Durable Stainless Steel Finish:** Provides a sleek, modern look that complements any kitchen style while ensuring long-lasting strength and quality.
- + Efficient 350 CFM Ventilation:** Provides effective airflow to manage everyday cooking smoke, steam, and odors.
- + Dual Installation Options (Ducted or Ductless):** Convertible ducted or ductless installation for flexible setup.
- + Easy Push Button Controls:** Simple mechanical buttons for hassle-free operation.
- + Bright, Energy-Saving LED Lights:** Illuminates the cooking surface clearly while minimizing energy use.
- + Dishwasher-safe Baffle Filters:** Removable filters trap grease and are easy to clean for long-lasting performance.
- + Three-Speed Fan Settings:** Adjustable airflow to suit light simmering or more intensive cooking.

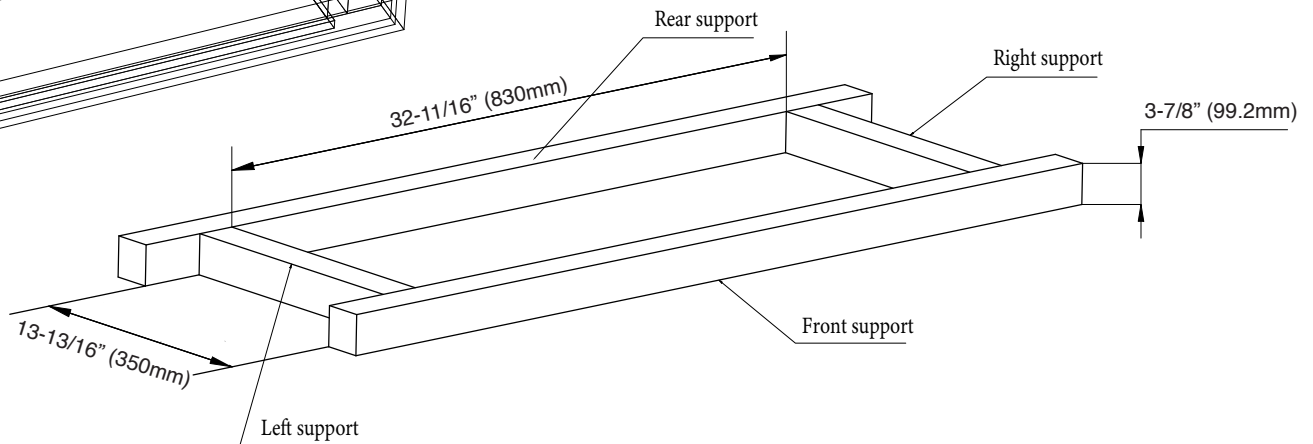
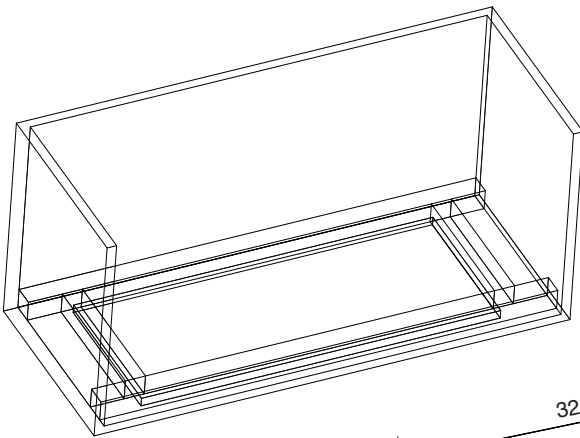
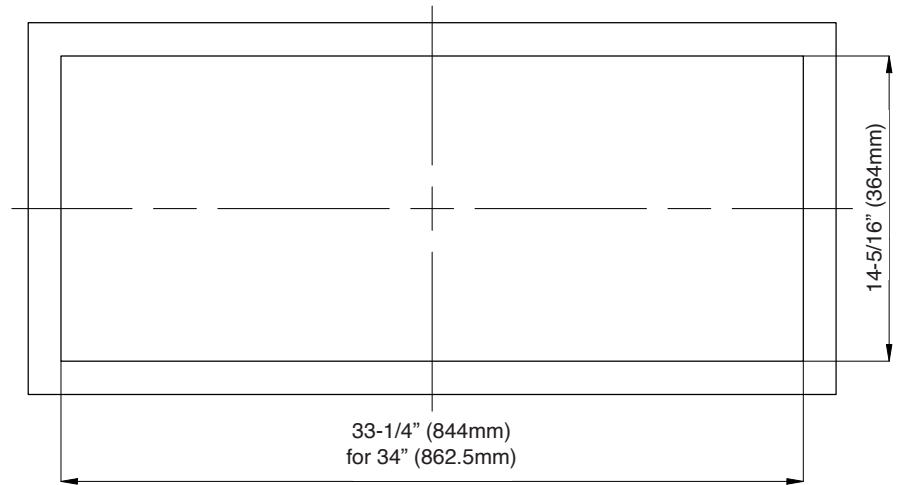
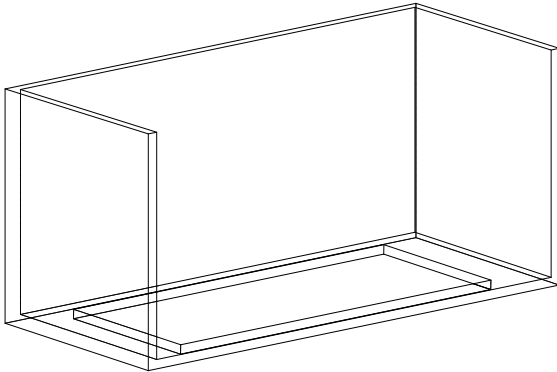
## TECHNICAL DETAILS

Mounting Type	Insert
Watts (W)	196W
Amperage (Dedicated)	15A
Volts (V)	120V
Frequency (Hz)	60Hz
Plug Type	US 3-prong plug
Power Cord Length (in.)	35-3/8"

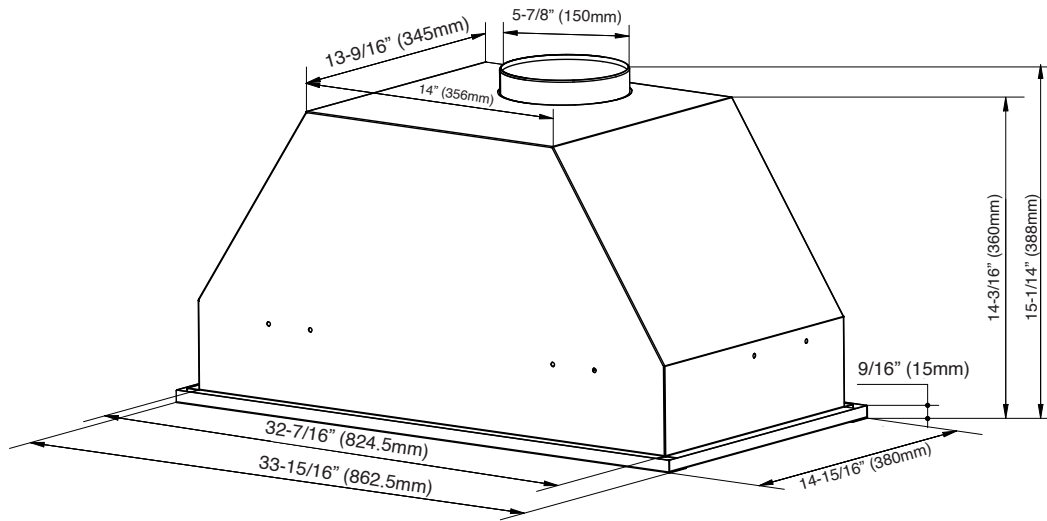


Specifications subject to change without notice.





Specifications subject to change without notice.



Specifications subject to change without notice.